



US00D938022S

(12) **United States Design Patent** (10) **Patent No.:** **US D938,022 S**
Calvert (45) **Date of Patent:** **** *Dec. 7, 2021**

- (54) **SAFETY PEN NEEDLE**
- (71) Applicant: **Owen Mumford Limited**, Woodstock (GB)
- (72) Inventor: **Jack Calvert**, Woodstock (GB)
- (73) Assignee: **Owen Mumford Limited**, Oxford (GB)
- (*) Notice: This patent is subject to a terminal disclaimer.
- (**) Term: **15 Years**
- (21) Appl. No.: **29/573,885**
- (22) Filed: **Aug. 10, 2016**
- (51) **LOC (13) Cl.** **24-02**
- (52) **U.S. Cl.**
USPC **D24/127**
- (58) **Field of Classification Search**
USPC D24/127-131, 112-114, 133, 186;
606/181, 185; 604/264, 523-528, 272,
604/187, 158, 164.01-164.11, 181, 184,
604/227; 600/101, 139, 143;
128/200.24, 207.14, 207.15
CPC .. A61M 5/3202; A61M 5/3257; A61M 25/00;
A61M 39/00; A61M 27/00; A61M
25/0043; A61M 25/0067; A61M 25/0097;
A61F 2/958
See application file for complete search history.

- D281,383 S 11/1985 Beach
- D292,634 S 11/1987 Chabot
- 4,917,243 A 4/1990 Abrams et al.
- D315,424 S 3/1991 Claytor
- D315,805 S 3/1991 Claytor et al.
- D315,808 S 3/1991 Claytor et al.
- D317,070 S 5/1991 Ott et al.

(Continued)

FOREIGN PATENT DOCUMENTS

- AU 201710789 S 3/2017
- AU 201710790 S 3/2017

(Continued)

OTHER PUBLICATIONS

U.K. Office Action, dated Mar. 9, 2015, in corresponding U.K. Patent Application No. GB1414911.6.

(Continued)

Primary Examiner — David G Muller
(74) *Attorney, Agent, or Firm* — Quarles & Brady LLP

(57) **CLAIM**

The ornamental design for a safety pen needle, as shown and described.

DESCRIPTION

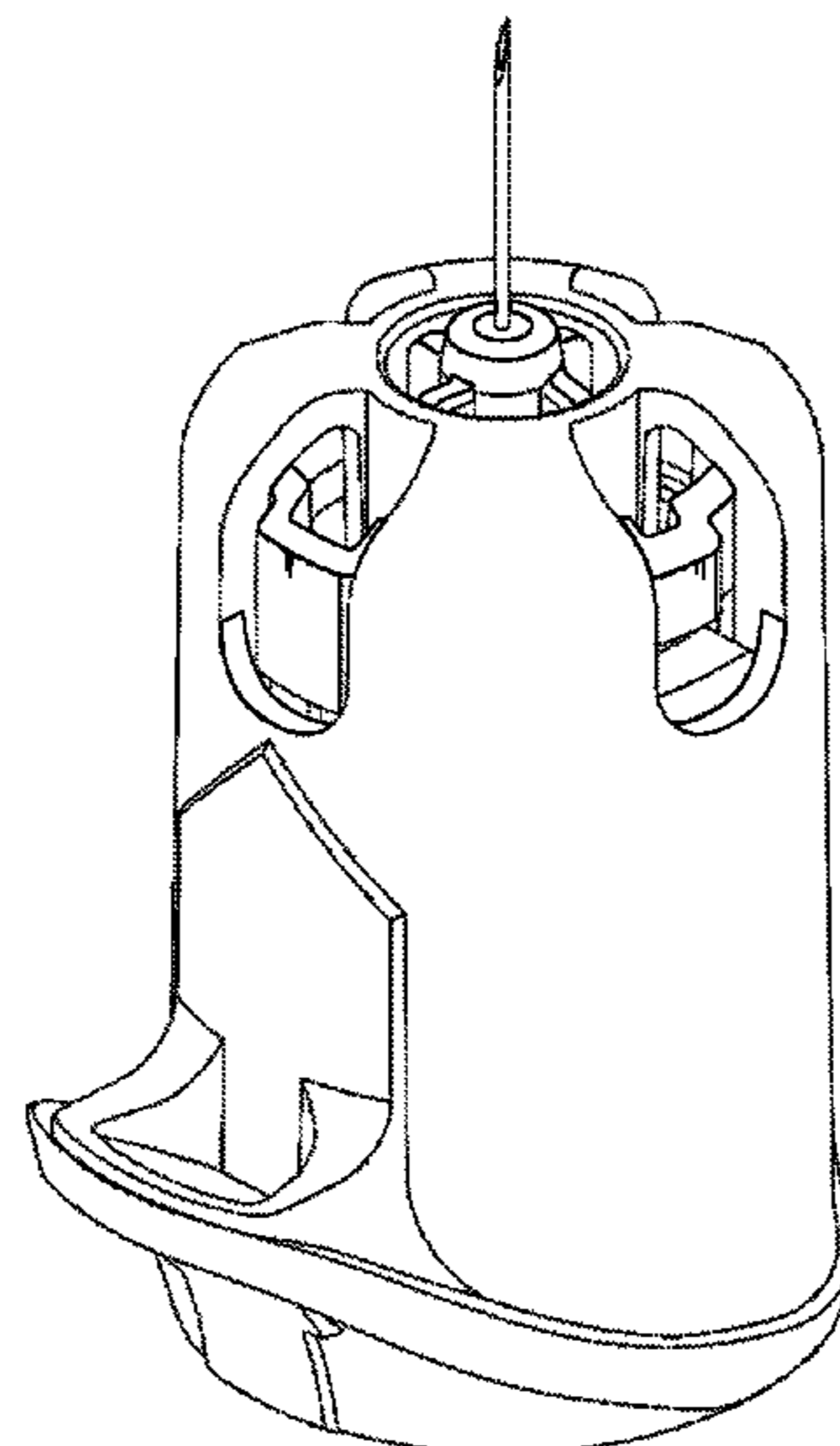
FIG. 1 is a first perspective view of a safety pen needle housing shield and pen needle showing a first embodiment of a new design of a safety pen needle; FIG. 2 is a second perspective view thereof; FIG. 3 is a first side view thereof; FIG. 4 is a second side view thereof; FIG. 5 is a third side view thereof; FIG. 6 is a fourth side view thereof; FIG. 7 is a top view thereof; and, FIG. 8 is a bottom view thereof.

In the drawings, the broken lines illustrate portions of the article that form no part of the claimed design.

1 Claim, 8 Drawing Sheets

(56) **References Cited**
U.S. PATENT DOCUMENTS

- 2,916,161 A 12/1959 Schaefer
- 3,020,395 A 2/1962 Peltz
- D227,191 S 6/1973 Cape
- D233,021 S 10/1974 Chavez
- 4,011,857 A 3/1977 Rice
- D247,025 S 1/1978 Cherry
- D251,480 S 4/1979 Cherry
- D258,050 S 1/1981 Cornou



(56)

References Cited

U.S. PATENT DOCUMENTS

5,046,612 A 9/1991 Mostarda et al.
 D322,211 S 12/1991 Gary
 5,104,380 A 4/1992 Holman et al.
 D327,214 S 6/1992 Stuart
 D327,321 S 6/1992 Russell et al.
 D331,126 S 11/1992 Claytor
 5,242,421 A 9/1993 Chan
 D340,311 S 10/1993 Claytor
 D340,312 S 10/1993 Claytor
 5,350,367 A 9/1994 Stiehl et al.
 5,370,628 A 12/1994 Allison et al.
 5,439,453 A 8/1995 Kashanchi
 D362,064 S 9/1995 Smick
 5,472,433 A 12/1995 Suzuki
 5,527,296 A 6/1996 Kashanchi
 5,611,809 A 3/1997 Marshall et al.
 D383,606 S 9/1997 Bourbonnais
 D421,214 S 2/2000 Koros et al.
 D446,107 S 8/2001 Carter
 D448,844 S 10/2001 Reis
 D449,379 S 10/2001 Fuhr
 6,425,885 B1 7/2002 Fischer et al.
 6,461,333 B1 10/2002 Frezza
 D470,391 S 2/2003 Adams
 6,692,463 B1 2/2004 Marteau et al.
 6,755,805 B1 6/2004 Reid
 D496,101 S 9/2004 Davison
 D505,200 S 5/2005 Simpson et al.
 D516,218 S 2/2006 Larocca
 7,004,930 B2 2/2006 Marshall
 D529,792 S 10/2006 Klein et al.
 7,223,259 B2 5/2007 Marshall et al.
 D553,737 S 10/2007 Rolfe
 7,462,168 B2* 12/2008 Stonehouse A61M 5/326
 604/192
 7,465,289 B2 12/2008 Marshall
 D585,154 S 1/2009 Ryder
 7,488,307 B2 2/2009 Rimlinger et al.
 7,540,858 B2* 6/2009 DiBiasi A61M 5/326
 604/192
 7,699,814 B2 4/2010 Lande
 8,088,111 B2 1/2012 Cowe
 D669,579 S 10/2012 Marshall et al.
 8,343,109 B2 1/2013 Marshall et al.
 8,425,460 B2 4/2013 Cowe
 8,491,535 B2* 7/2013 Limaye A61M 5/3243
 604/198
 8,632,503 B2* 1/2014 Ruan A61M 5/326
 604/198
 8,801,673 B2* 8/2014 Zaiken A61M 5/3257
 604/110
 8,840,590 B2* 9/2014 Richards A61M 5/3257
 604/198
 8,858,510 B2* 10/2014 Karlsson A61M 5/326
 604/198
 8,876,781 B2* 11/2014 Karlsson A61M 5/326
 604/198
 D719,255 S 12/2014 Ohashi
 D719,256 S 12/2014 Ohashi
 D721,803 S 1/2015 Dubach
 8,932,254 B2 1/2015 Eaton
 D722,160 S 2/2015 Armstrong
 8,998,855 B2 4/2015 Hudson et al.
 D732,660 S 6/2015 Ohashi
 9,078,983 B2* 7/2015 Herr A61M 5/24
 D739,933 S 9/2015 Ettlin
 D740,410 S 10/2015 Korkuch et al.
 9,199,041 B2 12/2015 Edginton
 9,238,111 B2 1/2016 Marshall et al.
 9,272,100 B2* 3/2016 Herr A61M 5/3202
 D765,241 S 8/2016 Holland
 9,545,484 B2 1/2017 Bicknell et al.
 9,623,194 B2* 4/2017 Srinivasan A61M 5/3202
 9,649,452 B2* 5/2017 Srinivasan A61M 5/321

D802,752 S 11/2017 Holland
 D802,753 S 11/2017 Holland
 D803,393 S 11/2017 Holland
 10,022,505 B2* 7/2018 Hu A61M 5/32
 D847,981 S 5/2019 Calvert et al.
 10,426,898 B2 10/2019 Cowe et al.
 10,518,045 B2 12/2019 Calvert
 10,532,164 B2 1/2020 Calvert
 10,682,475 B2 6/2020 Evans
 10,695,507 B2 6/2020 Evans et al.
 2007/0299394 A1 12/2007 Rolfe et al.
 2014/0288506 A1 9/2014 Mumford et al.
 2016/0303331 A1 10/2016 Evans et al.
 2016/0354553 A1 12/2016 Anderson et al.
 2017/0326309 A1 11/2017 Calvert
 2018/0043110 A1 2/2018 Holland
 2018/0147361 A1 5/2018 Holland
 2018/0289899 A1 10/2018 Gould
 2019/0001072 A1 1/2019 Holland
 2019/0030258 A1 1/2019 Crossman et al.
 2019/0224421 A1 7/2019 Holland
 2020/0061304 A1 2/2020 Cowe et al.
 2020/0086062 A1 3/2020 Calvert et al.
 2020/0230326 A1 7/2020 Calvert
 2020/0238008 A1 7/2020 Holland

FOREIGN PATENT DOCUMENTS

AU 201710791 S 3/2017
 CN 101287512 B 12/2011
 CN 303409958 S 10/2015
 CN 303703710 S 6/2016
 CN 303703711 S 6/2016
 CN 303890300 S 10/2016
 CN 305880115 S 6/2020
 DE 1766600 A1 7/1971
 EM 0025380740001 S 4/2017
 EM 0028174110001 S 8/2017
 EM 0027062340001 S 11/2017
 EM 0027062340002 S 11/2017
 EM 0027062340003 S 11/2017
 EM 0027062340004 S 11/2017
 EM 0027062340005 S 11/2017
 EM 0027062340006 S 11/2017
 EM 0027062340007 S 11/2017
 EM 0027062340008 S 11/2017
 EP 0279583 B1 10/1993
 EP 1079878 A1 3/2001
 EP 1507566 A1 2/2005
 EP 1628694 B1 7/2007
 EP 2310072 A2 4/2011
 EP 2015809 B1 11/2015
 EP 3174582 B1 12/2015
 EP 1919540 B1 5/2016
 EP 1919541 B1 8/2016
 EP 2419163 B1 10/2016
 EP 2627384 B1 12/2016
 EP 1744799 B1 6/2017
 EP 2771049 B1 6/2017
 EP 3405236 A1 11/2018
 EP 3405233 B1 4/2020
 EP 3345636 B1 5/2020
 FR 2649893 A1 1/1991
 FR 19970379001 S1 6/1997
 GB 2465389 A 5/2010
 GB 2469671 A 10/2010
 GB 2472578 A 2/2011
 GB 2486690 A 6/2012
 GB 2492941 A 1/2013
 GB 2507345 A 4/2014
 GB 2560508 A 9/2018
 IN 1435DELNP2008 A 8/2008
 IN 1472DELNP2008 A 9/2008
 IN 1576DELNP2011 A 12/2011
 JP 2007534409 A 11/2007
 JP 2016052579 A 4/2016
 JP 1564636 S 12/2016
 JP 1655381 S 3/2020
 KR 300903918 S 4/2016

(56)

References Cited

FOREIGN PATENT DOCUMENTS

MX	49503	S	4/2016
RU	103646	S	4/2016
TW	D180966	S	1/2017
TW	202026023	A	7/2020
WO	1991008786	A1	6/1991
WO	1999007279	A1	2/1999
WO	2005102424	A1	11/2005
WO	2006124947	A1	11/2006
WO	2007099367	A1	9/2007
WO	2007132185	A1	11/2007
WO	2010119271	A1	10/2010
WO	2012049493	A1	4/2012
WO	2013061039	A1	5/2013
WO	2013088178	A1	6/2013
WO	2014167340	A1	10/2014
WO	2016026952	A1	2/2016
WO	2016181127	A1	11/2016
WO	2017141045	A1	8/2017
WO	2018060682	A1	4/2018
WO	2020065010	A1	4/2020

OTHER PUBLICATIONS

Autopen™, Owen Mumford Ltd. Of Woodstock. UK. One page
(May 7, 2007) <http://www.owenmumford.com>.

* cited by examiner

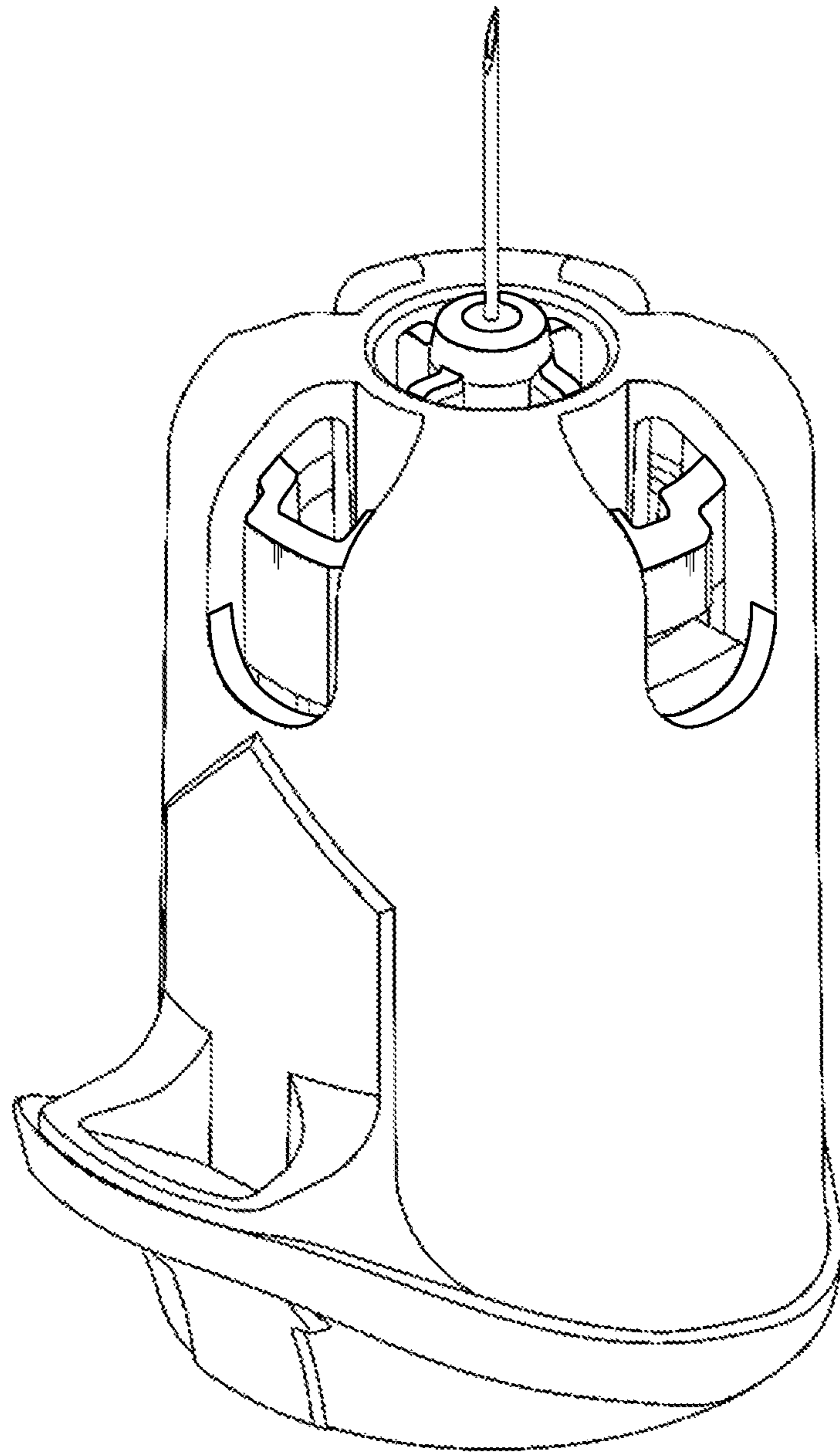


FIG. 1

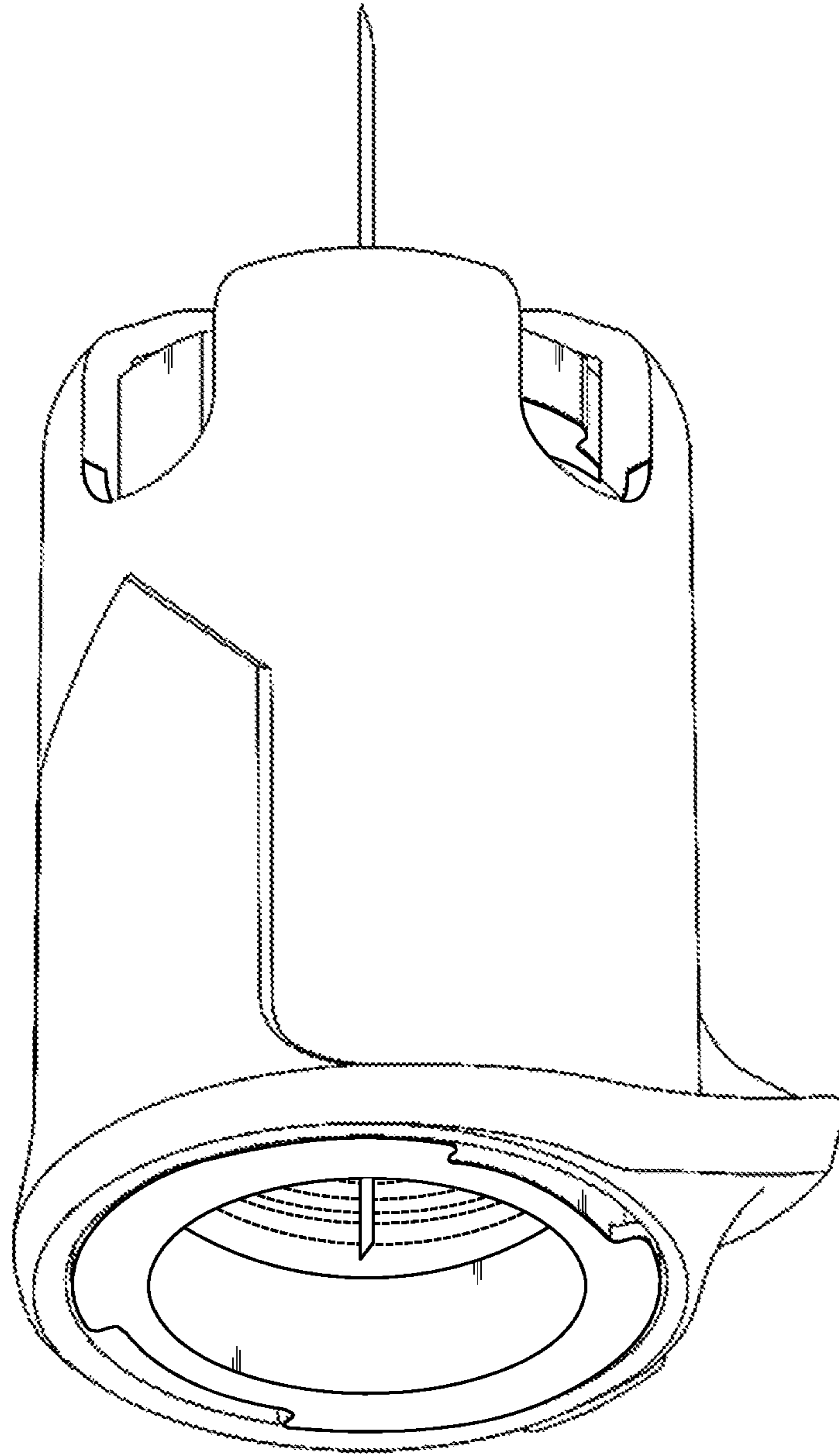


FIG. 2

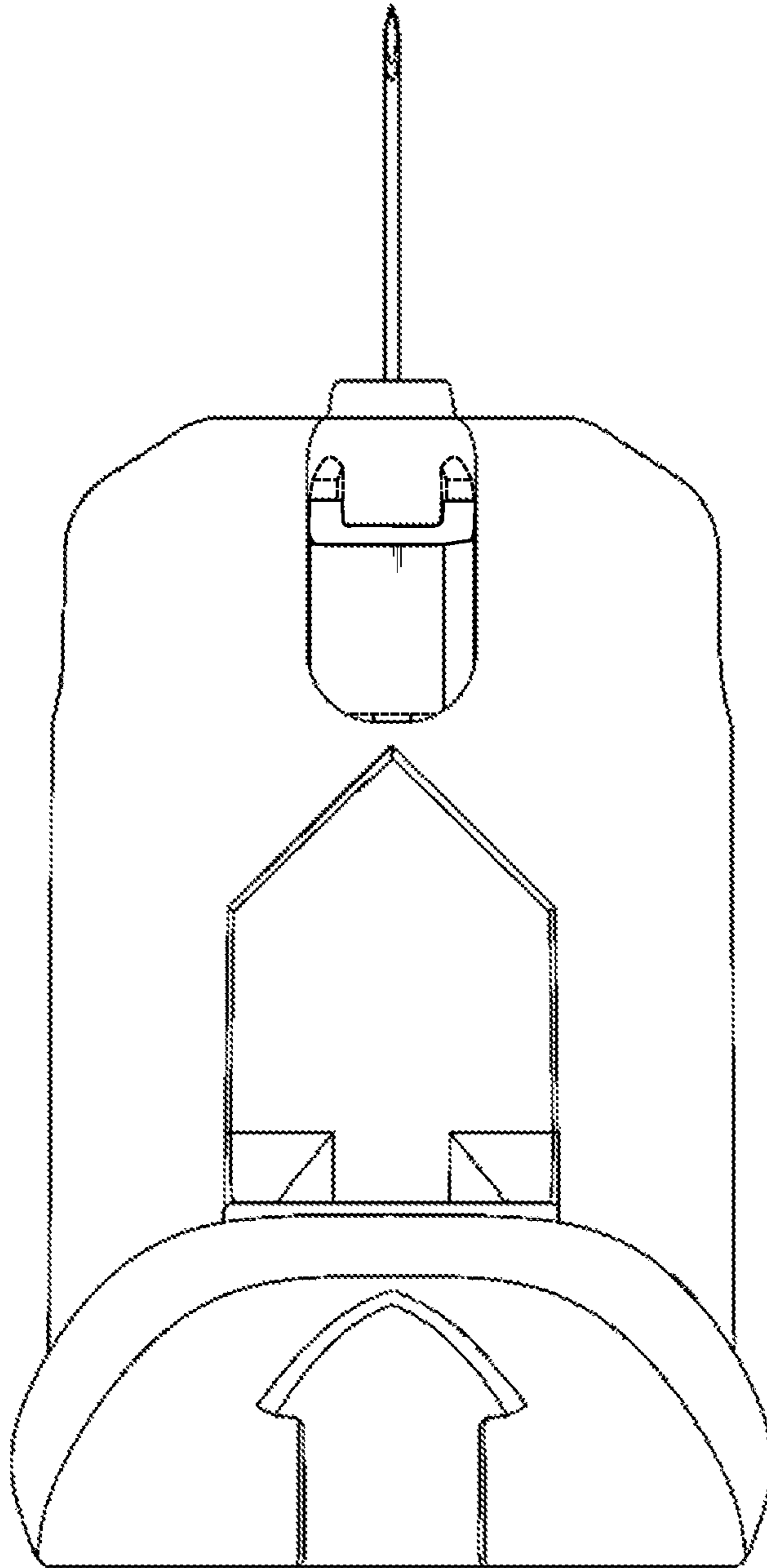


FIG. 3

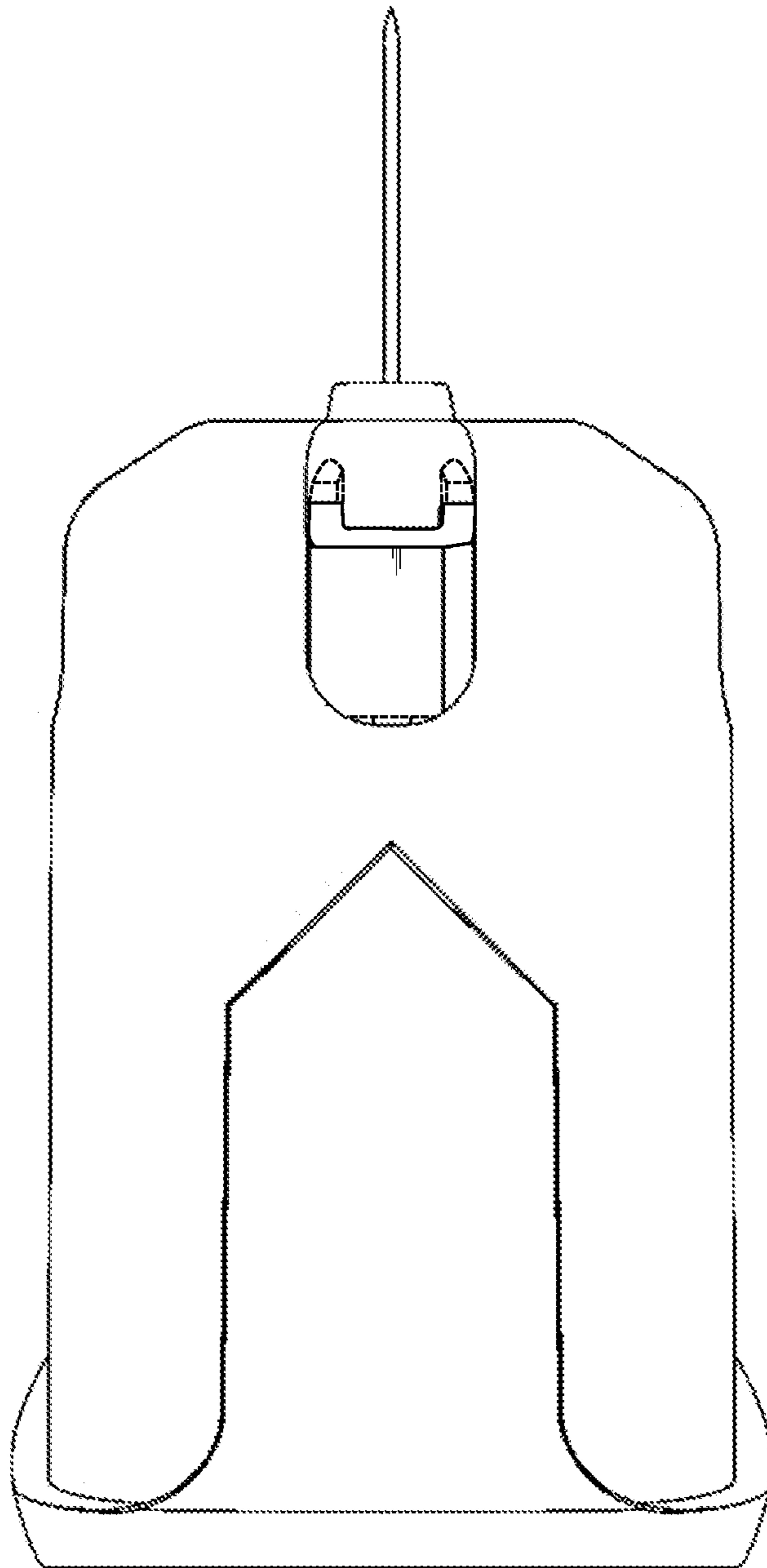


FIG. 4

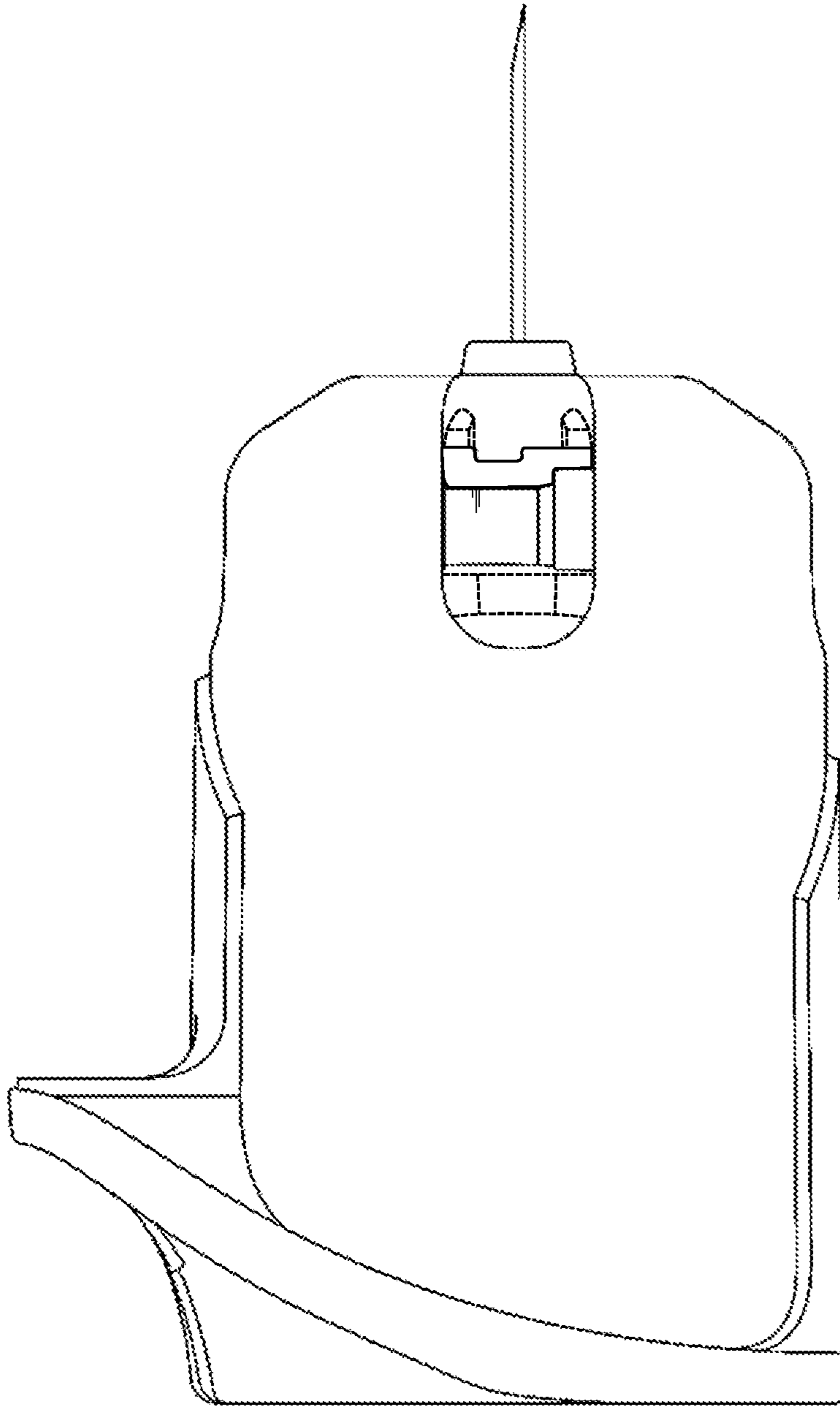


FIG. 5

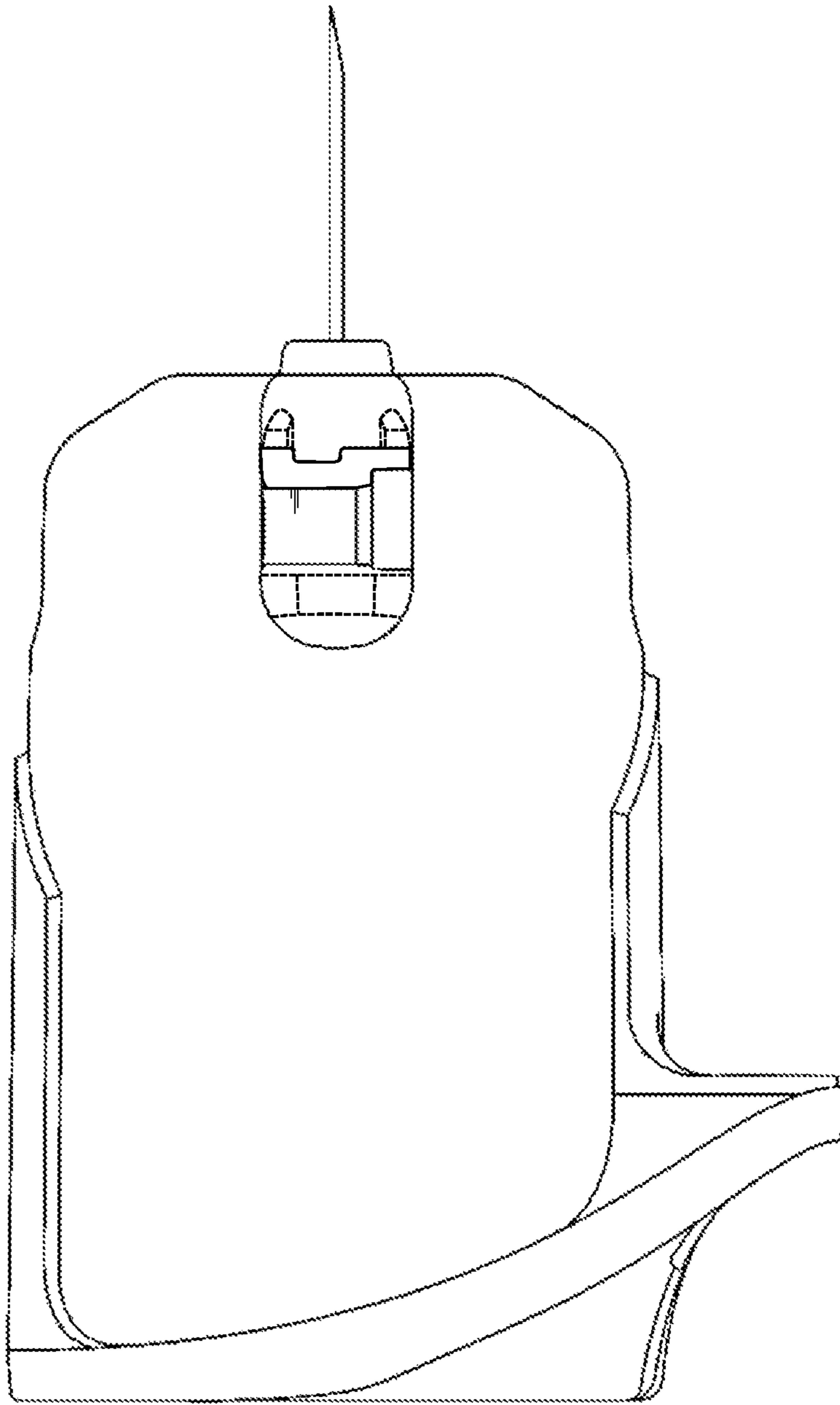


FIG. 6

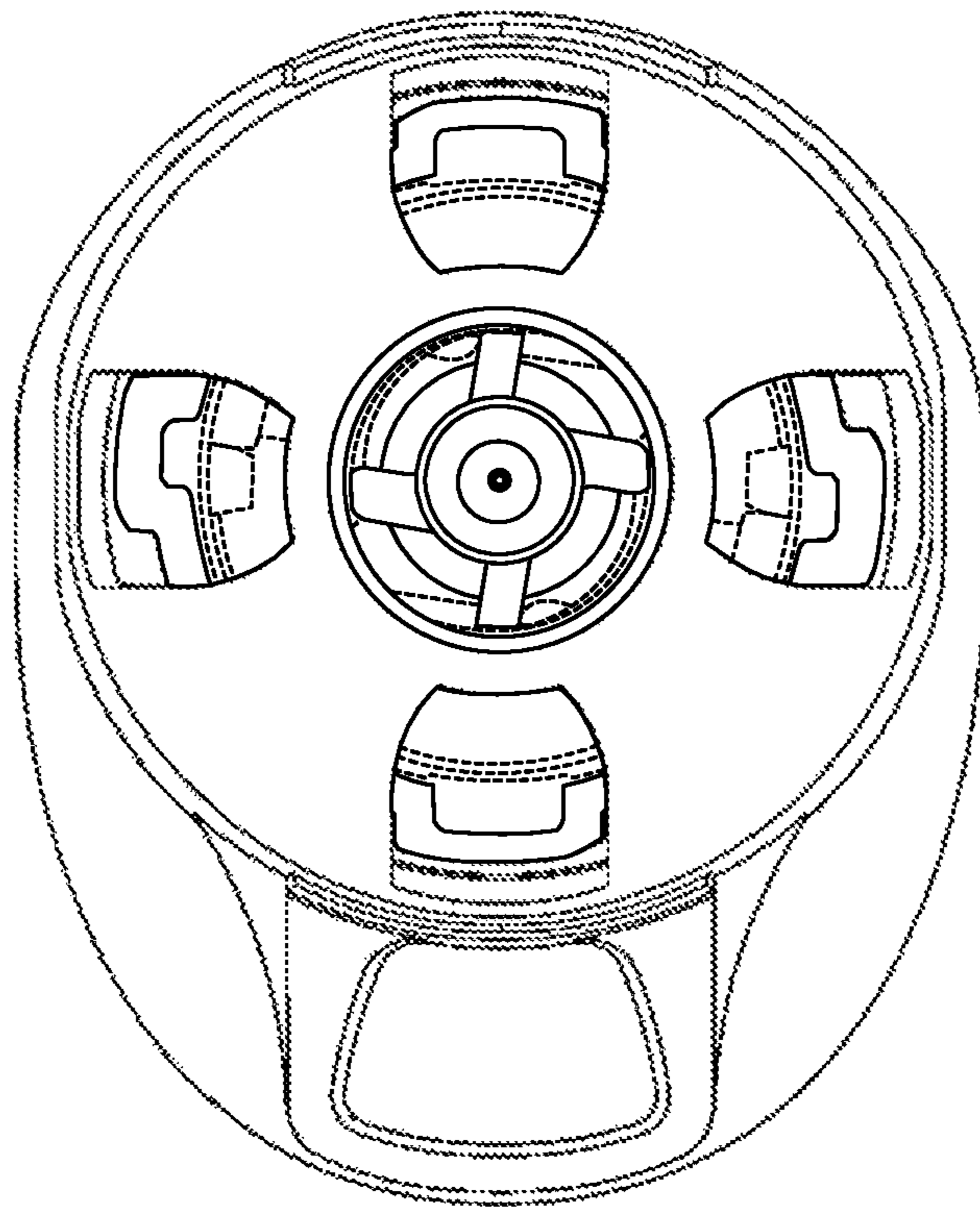


FIG. 7

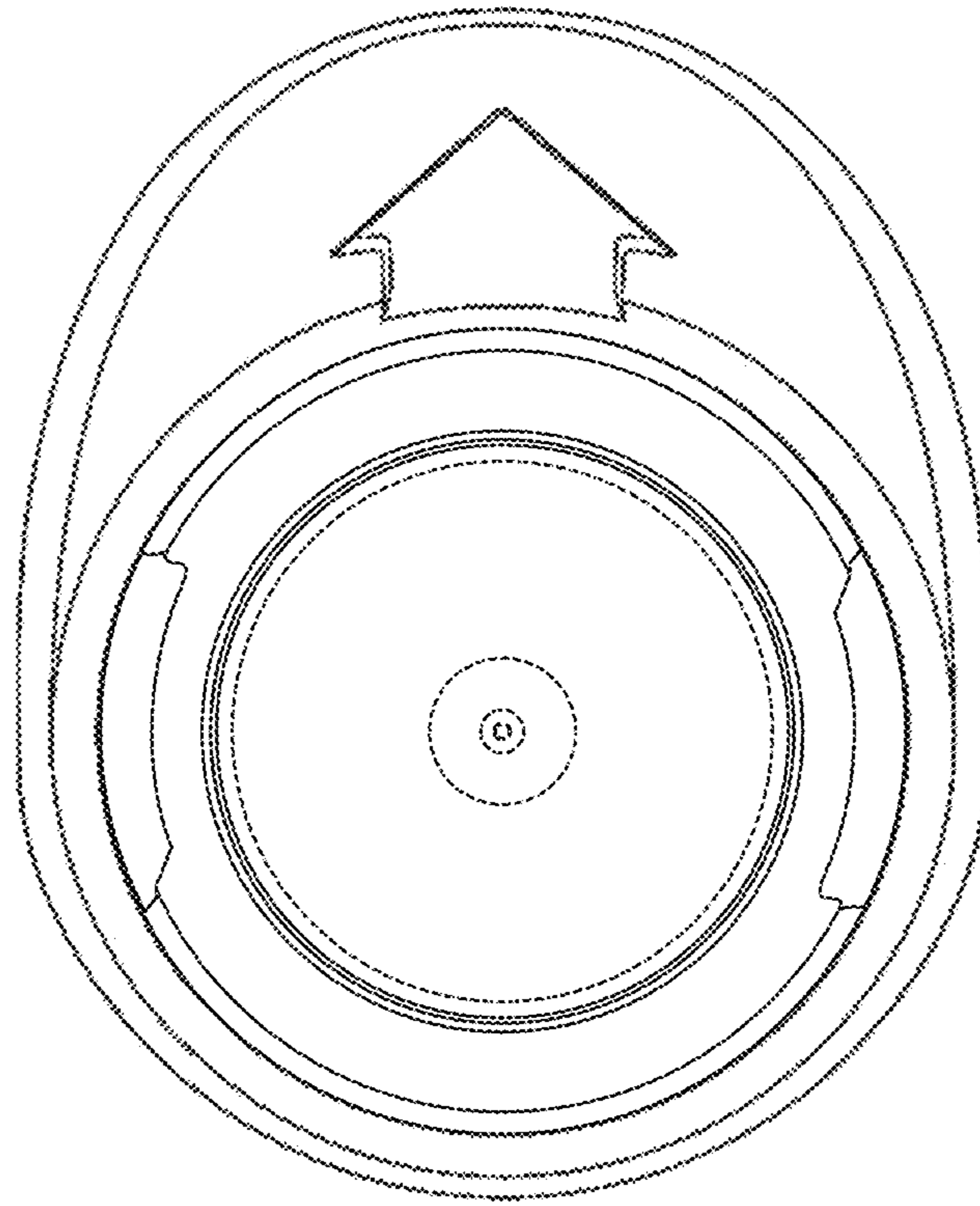


FIG. 8