



US00D938019S

(12) **United States Design Patent**
Camerl

(10) **Patent No.:** **US D938,019 S**

(45) **Date of Patent:** **** Dec. 7, 2021**

- (54) **SURGICAL INFANT DIAPER**
- (71) Applicant: **Timothy Camerl**, Bristol, CT (US)
- (72) Inventor: **Timothy Camerl**, Bristol, CT (US)
- (**) Term: **15 Years**
- (21) Appl. No.: **29/685,189**
- (22) Filed: **Mar. 27, 2019**
- (51) **LOC (13) Cl.** **24-04**
- (52) **U.S. Cl.**
USPC **D24/126**
- (58) **Field of Classification Search**
USPC D24/124–126, 187, 189, 190, 132, 136;
D2/700, 701; D5/21, 25, 29, 35, 37, 39,
D5/53, 59, 60, 61, 32, 40, 57;
D29/101.5, 119, 121.1, 124; D6/354
CPC A61F 13/15; A61F 13/64; A61F 13/476;
A61F 13/5611; A61F 13/5633; A61F
13/4704; A61F 13/535; A61F 13/539;
A61F 13/47; A61F 13/531; A61F
2013/16; A61F 2013/4708
See application file for complete search history.

- 5,897,545 A * 4/1999 Kline A61F 13/5655
604/386
- D414,262 S * 9/1999 Ashton D24/124
- 5,997,521 A * 12/1999 Robles A61F 13/49015
604/385.22
- D421,802 S * 3/2000 Van Gompel D24/124
- D422,077 S * 3/2000 Surprise D24/126
- D422,078 S * 3/2000 Vukos D24/124
- 6,142,983 A * 11/2000 Surprise A61F 13/5644
604/385.03
- 6,149,637 A * 11/2000 Allen A61F 13/49009
604/366
- D449,885 S * 10/2001 Popp D24/126
- 6,306,121 B1 * 10/2001 Damaghi A61F 13/49011
604/385.03
- D456,508 S * 4/2002 Schroeder A61F 13/49011
D24/124

(Continued)

Primary Examiner — T Chase Nelson
Assistant Examiner — Kelly L Gross
 (74) *Attorney, Agent, or Firm* — Boudwin Intellectual
 Property; Daniel Boudwin

(57) **CLAIM**

The ornamental design for a surgical infant diaper, as shown and described.

(56) **References Cited**

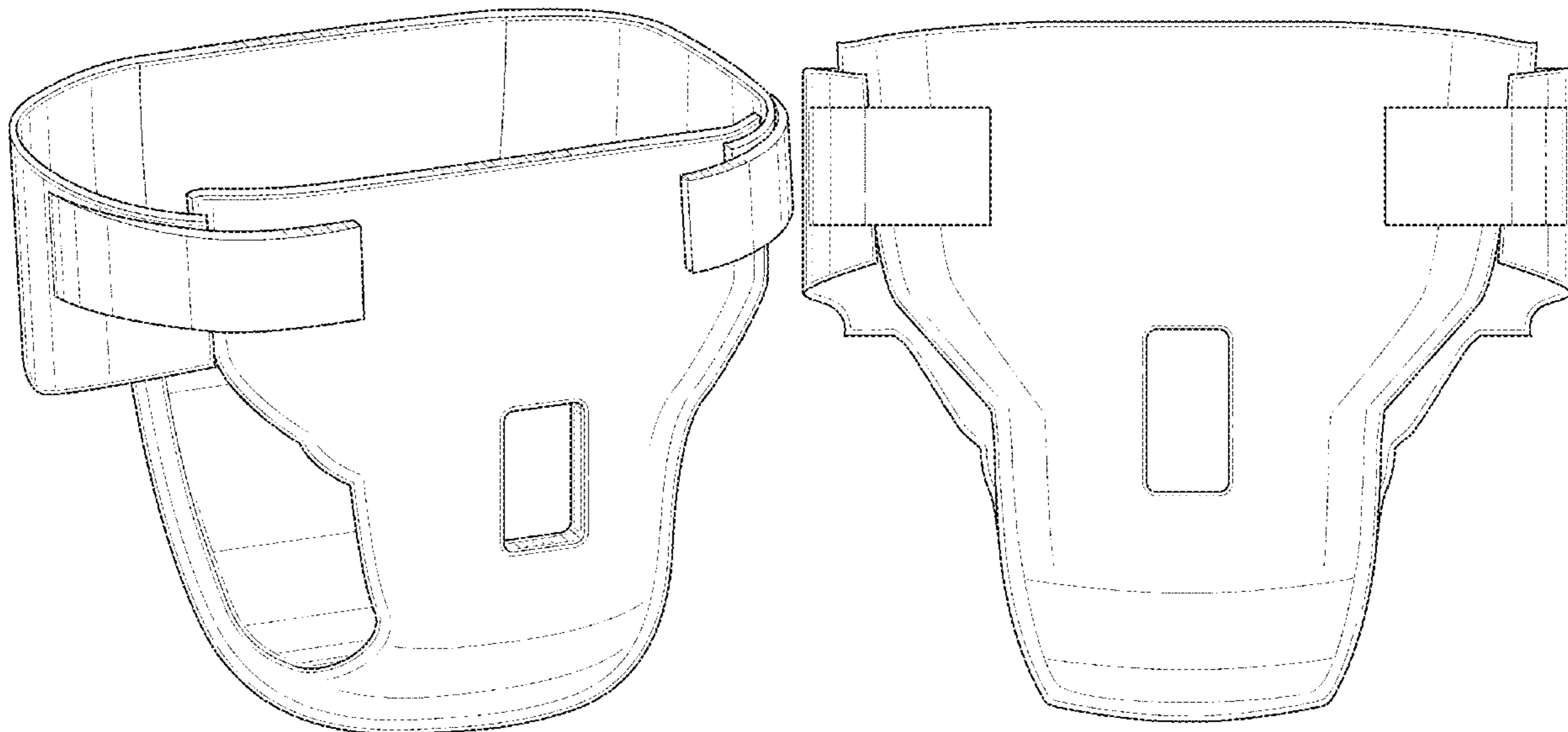
U.S. PATENT DOCUMENTS

- 5,074,853 A 12/1991 Bryant
- D354,130 S * 1/1995 Johnson D24/126
- D378,407 S * 3/1997 Bunton D24/126
- D384,487 S * 10/1997 Ingels D2/713
- 5,807,371 A * 9/1998 Toyoda A61F 13/5512
428/343
- 5,849,001 A * 12/1998 Torimae A61F 13/51401
604/372
- 5,853,405 A * 12/1998 Surprise A61F 13/49426
604/391
- 5,855,574 A * 1/1999 Kling A61F 13/565
604/392

DESCRIPTION

FIG. 1 shows a perspective view of a surgical infant diaper showing my new design;
 FIG. 2 shows a front view of the surgical infant diaper;
 FIG. 3 shows a rear view of the surgical infant diaper;
 FIG. 4 shows a right side view of the surgical infant diaper;
 FIG. 5 shows a left side view of the surgical infant diaper;
 FIG. 6 shows a top plan view of the surgical infant diaper;
 and,
 FIG. 7 shows a bottom plan view of the surgical infant diaper.

1 Claim, 7 Drawing Sheets



(56)

References Cited

U.S. PATENT DOCUMENTS

6,402,731 B1 *	6/2002	Suprise	A61F 13/5655	D834,785 S *	12/2018	Yamada	A61F 13/51401
				604/391					D2/712
6,409,715 B1 *	6/2002	Tanji	A61F 13/495	D841,800 S *	2/2019	Saadia	D24/126
				604/385.01	D882,769 S *	4/2020	Hirsch	D24/124
6,468,257 B1 *	10/2002	Ono	A61F 13/505	D893,130 S *	8/2020	Shannon	D2/701
				604/385.01	D902,397 S *	11/2020	Yamada	D24/126
D473,644 S *	4/2003	Carr	D24/126	10,849,313 B2 *	12/2020	Komatsubara	A01K 23/00
6,558,499 B1 *	5/2003	Pargass	A61F 13/15772	2006/0047260 A1 *	3/2006	Ashton	A61F 13/49012
				116/200					604/396
6,623,465 B1 *	9/2003	Roe	A61F 13/475	2007/0197983 A1	8/2007	Finn	
				604/385.03	2013/0006208 A1	1/2013	Close et al.	
6,626,879 B1 *	9/2003	Ashton	A61F 13/496	2013/0310795 A1 *	11/2013	Glahn	A61F 13/51496
				604/385.03					604/392
6,632,974 B1 *	10/2003	Suzuki	A61F 13/15203	2014/0378932 A1 *	12/2014	Seitz	A61F 13/49011
				604/367					604/385.3
6,761,711 B1 *	7/2004	Fletcher	A61F 13/496	2015/0320614 A1 *	11/2015	Seitz	A61F 13/491
				604/389					604/385.01
6,797,856 B1 *	9/2004	Kolb	A61F 13/496	2016/0022509 A1	1/2016	Reddy	
				2/67	2016/0100995 A1 *	4/2016	Seitz	A61F 13/496
D500,131 S *	12/2004	Choice	D24/125					220/23.83
6,979,325 B2	12/2005	Reddy		2016/0175165 A1 *	6/2016	Schneider	A61F 13/15804
7,094,227 B2 *	8/2006	Ishiguro	A61F 13/49001					604/385.3
				604/385.201	2016/0184145 A1 *	6/2016	Morimoto	A61F 13/496
D574,489 S *	8/2008	Kawakami	D24/126					604/385.29
D583,935 S *	12/2008	Sasayama	D24/126	2016/0354257 A1 *	12/2016	Csida	A61F 13/58
D583,936 S *	12/2008	Sasayama	A61F 13/58	2016/0374871 A1 *	12/2016	Seitz	A61F 13/55105
				D24/126					604/374
7,815,620 B2 *	10/2010	Coates	A61F 13/5638	2017/0000659 A1 *	1/2017	Autran	A61F 13/49012
				604/392	2017/0112683 A1 *	4/2017	Fukasawa	A61F 13/49061
7,901,390 B1 *	3/2011	Ashton	A61F 13/49014	2017/0239104 A1 *	8/2017	Jang	A61F 13/49011
				604/385.01	2019/0183690 A1 *	6/2019	Nhan	A61F 13/49406
D681,198 S *	4/2013	Norman	A61F 13/496	2019/0209399 A1 *	7/2019	Wheeler	A47K 17/00
				D24/126	2019/0231616 A1 *	8/2019	Saito	A61F 13/5638
D713,523 S *	9/2014	Raycheck	A61F 13/4942	2019/0254884 A1 *	8/2019	Mukai	A61F 13/49
				D24/126	2019/0350772 A1 *	11/2019	Roldan-Posada	A61F 13/494
D782,663 S *	3/2017	Morimoto	A61F 13/51496	2019/0374402 A1 *	12/2019	Morimoto	A61F 13/49061
				D24/126	2019/0374403 A1 *	12/2019	Wang	A61F 13/49
D787,051 S *	5/2017	Gaston	D24/126	2019/0374404 A1 *	12/2019	Ninomiya	B32B 37/00
D788,294 S *	5/2017	Cardenas	D24/126	2019/0380885 A1 *	12/2019	Enz	A61F 13/4942
D792,967 S *	7/2017	Moritani	D24/126	2020/0030161 A1 *	1/2020	Beitz	A61F 13/51104
D800,300 S *	10/2017	Yamada	A61F 13/505	2020/0038258 A1 *	2/2020	Schmoker	A61F 13/537
				D24/126	2020/0085633 A1 *	3/2020	Cheng	A61F 13/49012
D802,754 S *	11/2017	Borrero	D24/126	2020/0085641 A1 *	3/2020	Kleuskens	A61F 13/15585
D805,191 S *	12/2017	Yamada	D24/126	2020/0100949 A1 *	4/2020	Smith	A61F 13/15585
D805,635 S *	12/2017	Yamada	D24/126	2020/0138635 A1 *	5/2020	Saito	A61F 13/15585
D806,867 S *	1/2018	Yamada	D24/126	2020/0253792 A1 *	8/2020	Chaudhary	A61L 15/48
D813,496 S *	3/2018	Yeoh	D2/712	2020/0268565 A1 *	8/2020	Ling	A61F 13/84
D815,392 S *	4/2018	Levy	D2/712	2020/0268566 A1 *	8/2020	Tally	A61F 13/49004
10,092,456 B2 *	10/2018	Hashimoto	A61F 13/4902	2020/0297550 A1 *	9/2020	Back	A61F 13/49011
					2020/0297555 A1 *	9/2020	Ramos Medina	A61F 13/622
					2020/0323710 A1 *	10/2020	Van Schie	A61F 13/5515

* cited by examiner

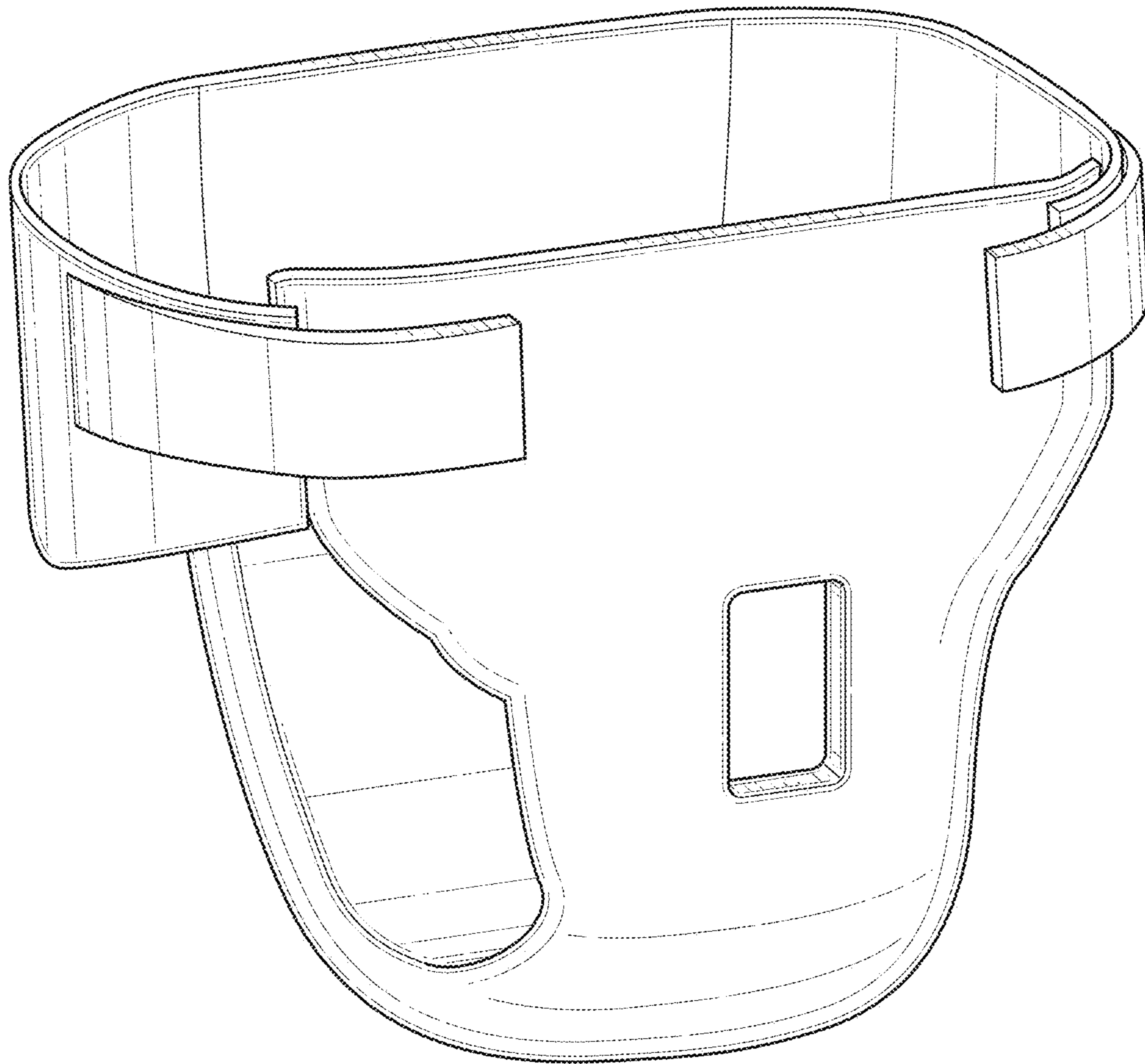


FIG. 1

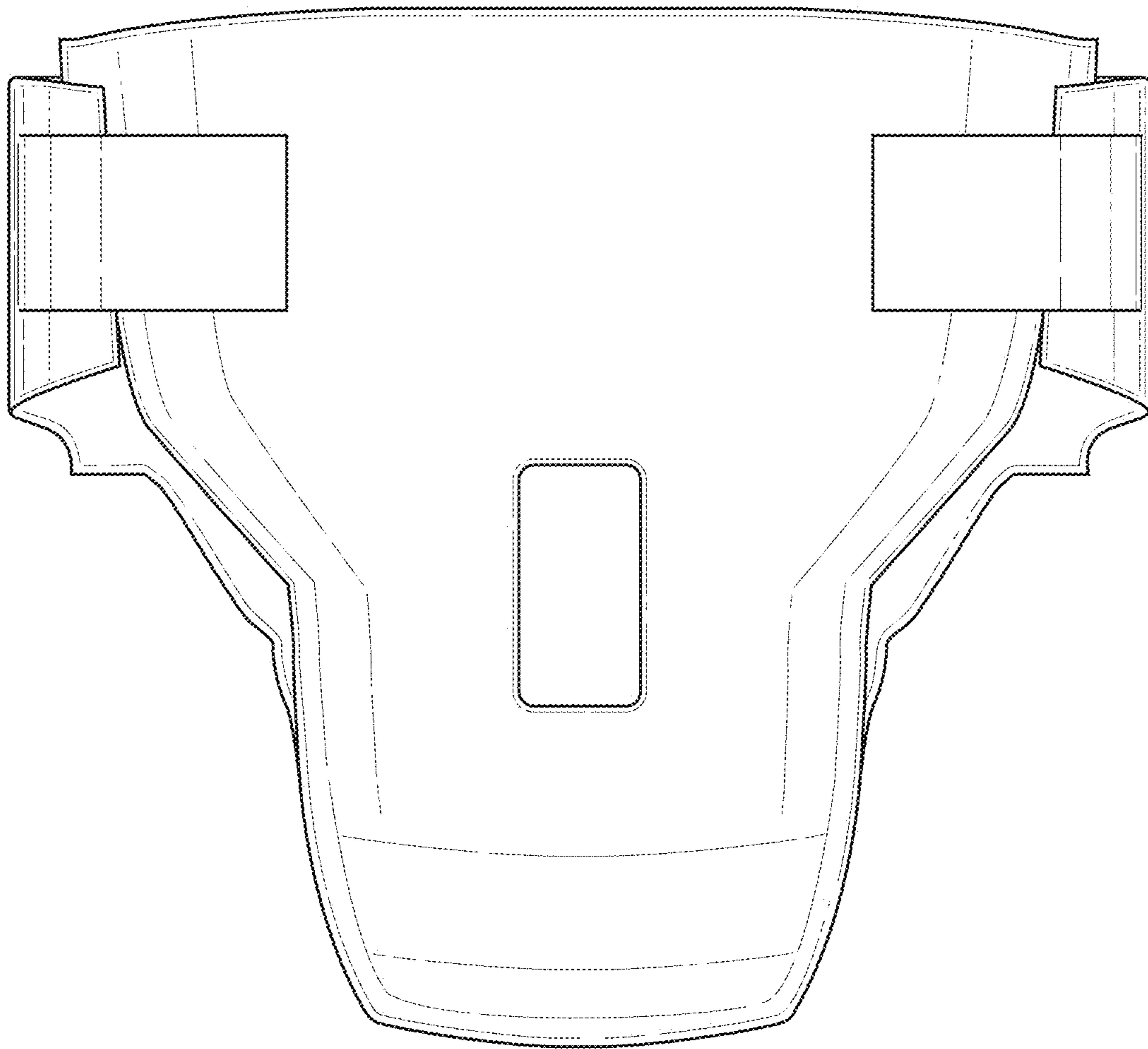


FIG. 2

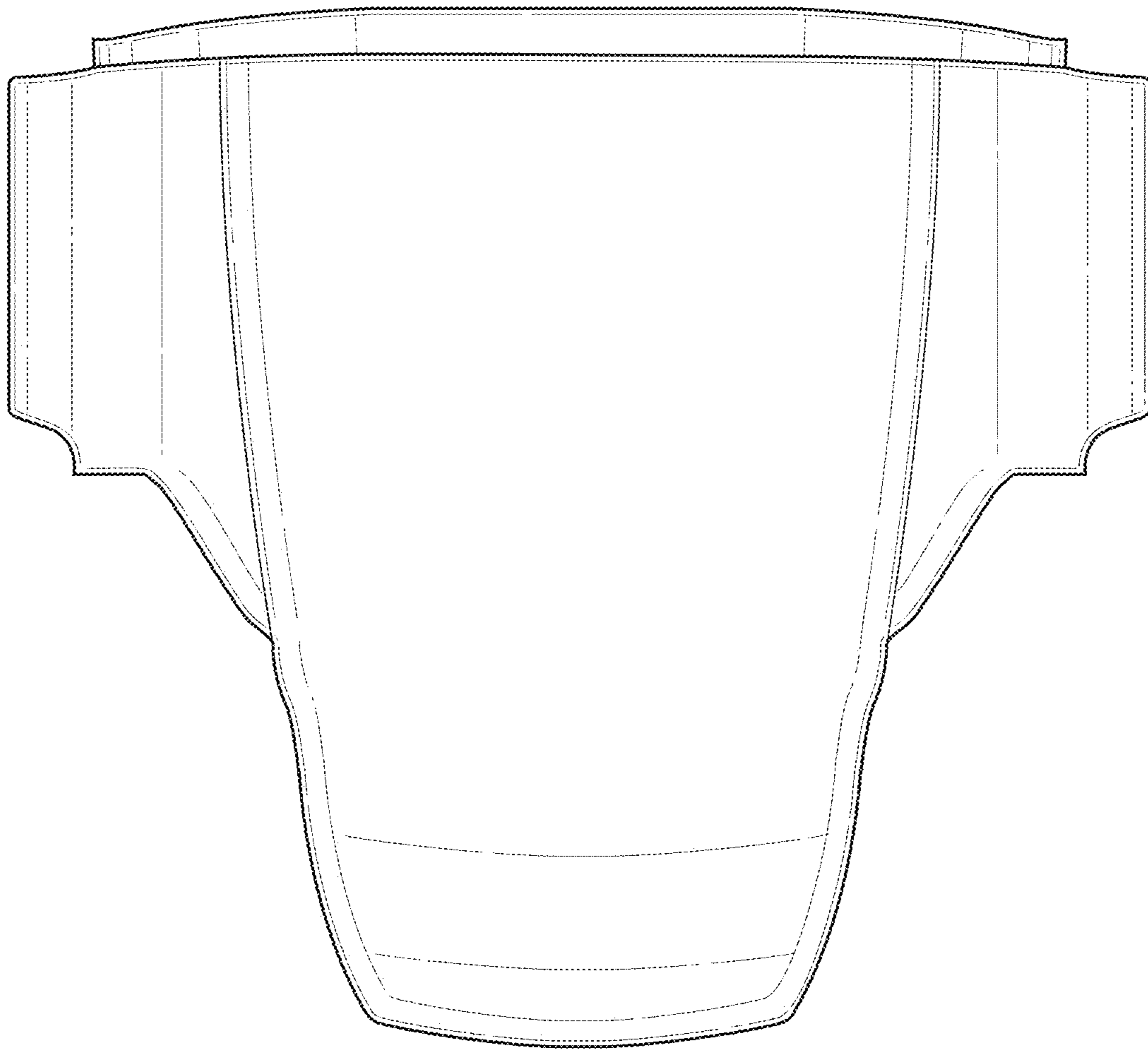


FIG. 3

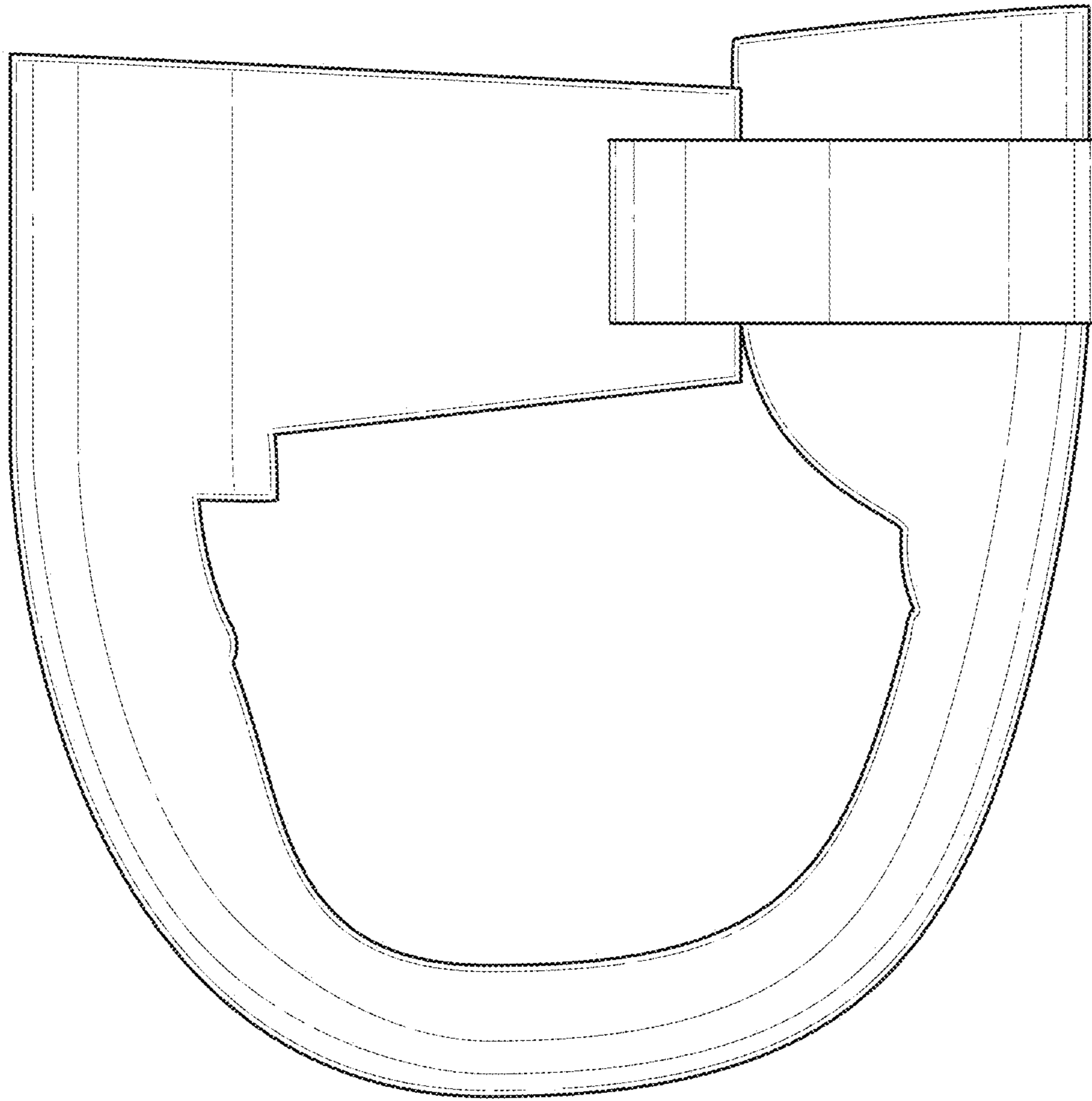


FIG. 4

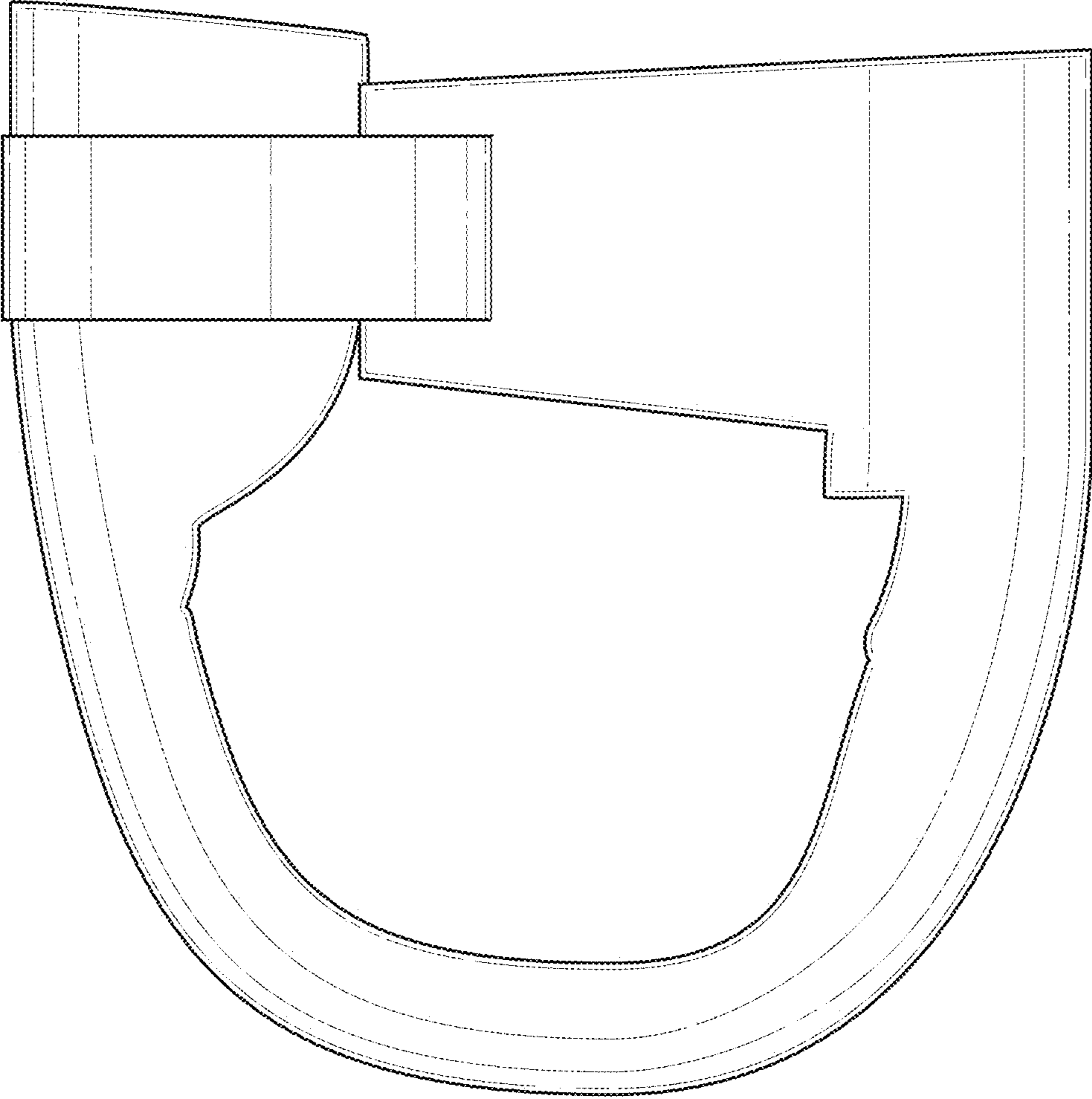


FIG. 5

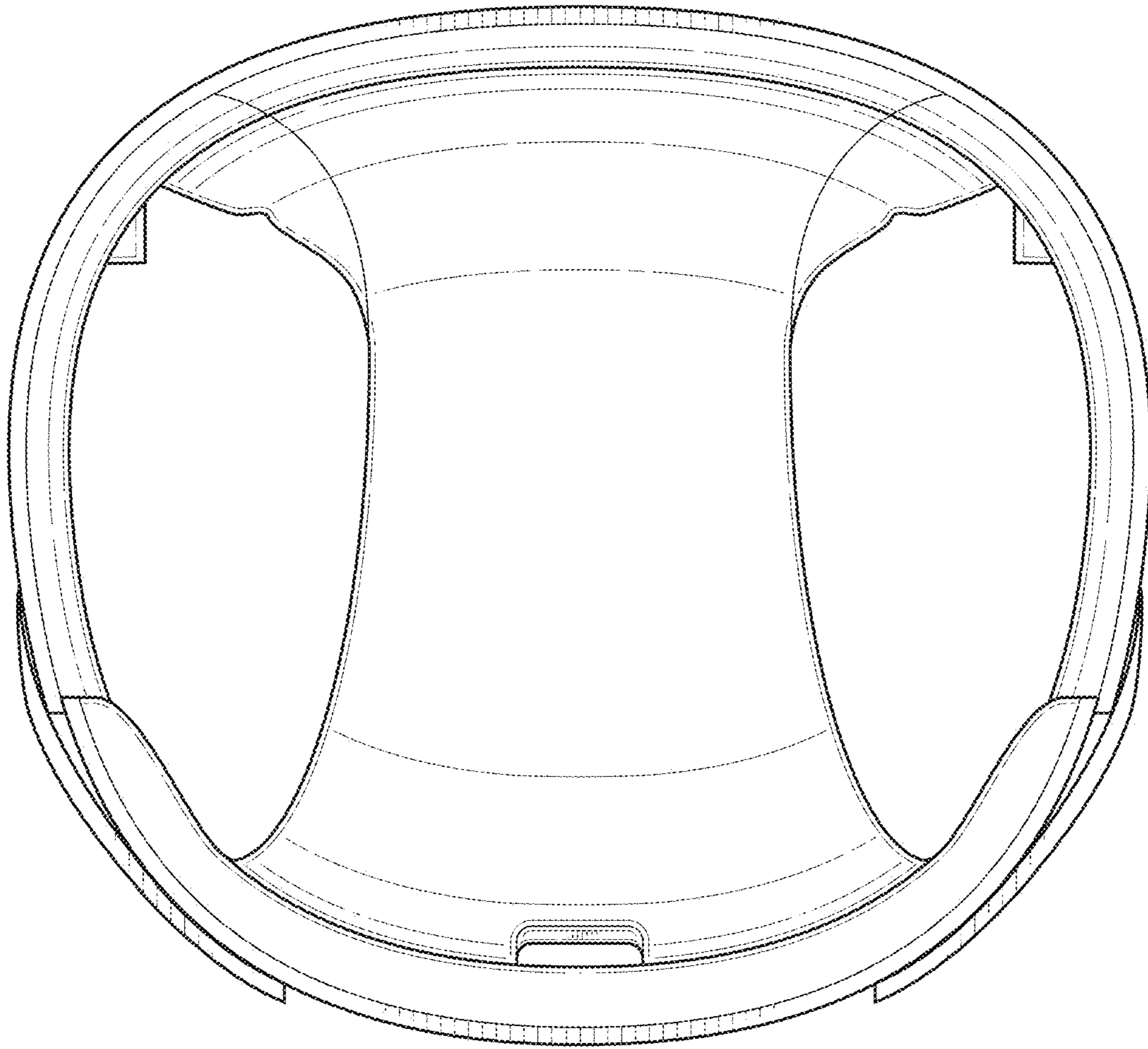


FIG. 6

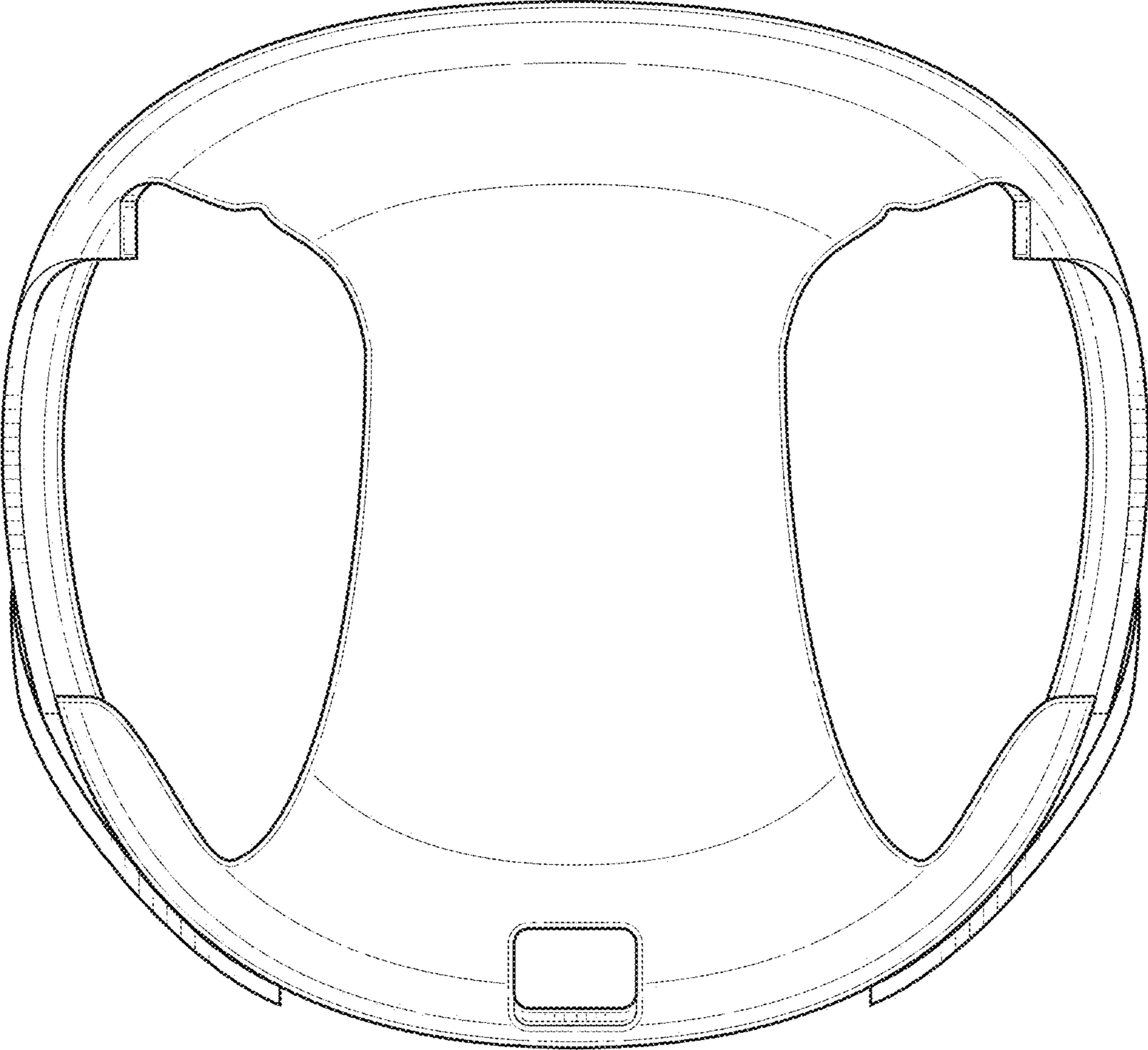


FIG. 7