



US00D938018S

(12) **United States Design Patent** (10) **Patent No.:** **US D938,018 S**
Kim et al. (45) **Date of Patent:** **** Dec. 7, 2021**

(54) **SURGICAL INSTRUMENT**
(71) Applicant: **Livsmed Inc.**, Seongnam-si (KR)
(72) Inventors: **Hee Jin Kim**, Seongnam-si (KR); **Jung Joo Lee**, Seongnam-si (KR); **Jin Ho Kwon**, Seongnam-si (KR); **Jae Yeong Lee**, Seongnam-si (KR); **Dong Kyu Jang**, Seongnam-si (KR)
(73) Assignee: **Livsmed Inc.**, Seongnam-si (KR)

D792,214 S * 7/2017 Kerill D9/442
D813,389 S * 3/2018 Zhou D24/146
D837,390 S * 1/2019 Harada D24/187
D876,637 S * 2/2020 Moon D24/187
D879,951 S * 3/2020 Kucklick D24/112
D886,280 S * 6/2020 Lovmar D24/112
D887,002 S * 6/2020 Geng D24/146
D894,380 S * 8/2020 Roberts D24/130
D901,682 S * 11/2020 Vuillemin D24/133
D910,168 S * 2/2021 Sussman D24/112
D910,857 S * 2/2021 Shibayama D24/187
D916,295 S * 4/2021 Shibayama D24/187

(Continued)

(**) Term: **15 Years**

OTHER PUBLICATIONS

(21) Appl. No.: **35/509,604**

Vimeo. Livsmed Inc. 3: Livsmed Intro2. Nov. 11, 2020. <https://vimeo.com/477975598> (Year: 2020).*

(22) Filed: **Dec. 12, 2019**

(Continued)

(80) **Hague Agreement Data**

Int. Filing Date: **Dec. 12, 2019**
Int. Reg. No.: **DM/207082**
Int. Reg. Date: **Dec. 12, 2019**
Int. Reg. Pub. Date: **Jun. 12, 2020**

Primary Examiner — Darcey E Gottschalk
(74) *Attorney, Agent, or Firm* — Novick, Kim & Lee, PLLC; Sang Ho Lee; Hyun Woo Shin

(30) **Foreign Application Priority Data**

Nov. 29, 2019 (KR) 30-2019-0057641

(57) **CLAIM**

The ornamental design for a surgical instrument, as shown and described.

(51) **LOC (13) Cl.** **24-02**

DESCRIPTION

(52) **U.S. Cl.**
USPC **D24/112**

(58) **Field of Classification Search**
USPC D24/187–190, 112, 129–131, 133, 137, D24/140, 141, 144, 146, 147
CPC A61B 34/37; A61B 34/25; A61B 34/74; A61B 17/00234; A61B 2034/302; A61G 13/101

- 1. Surgical instrument
- 1.1 : Perspective
- 1.2 : Front
- 1.3 : Back
- 1.4 : Left
- 1.5 : Right
- 1.6 : Top
- 1.7 : Bottom

See application file for complete search history.

The present design is surgical instrument, which is inserted into the skin tissue to guide the motion of laparoscopic surgical device.

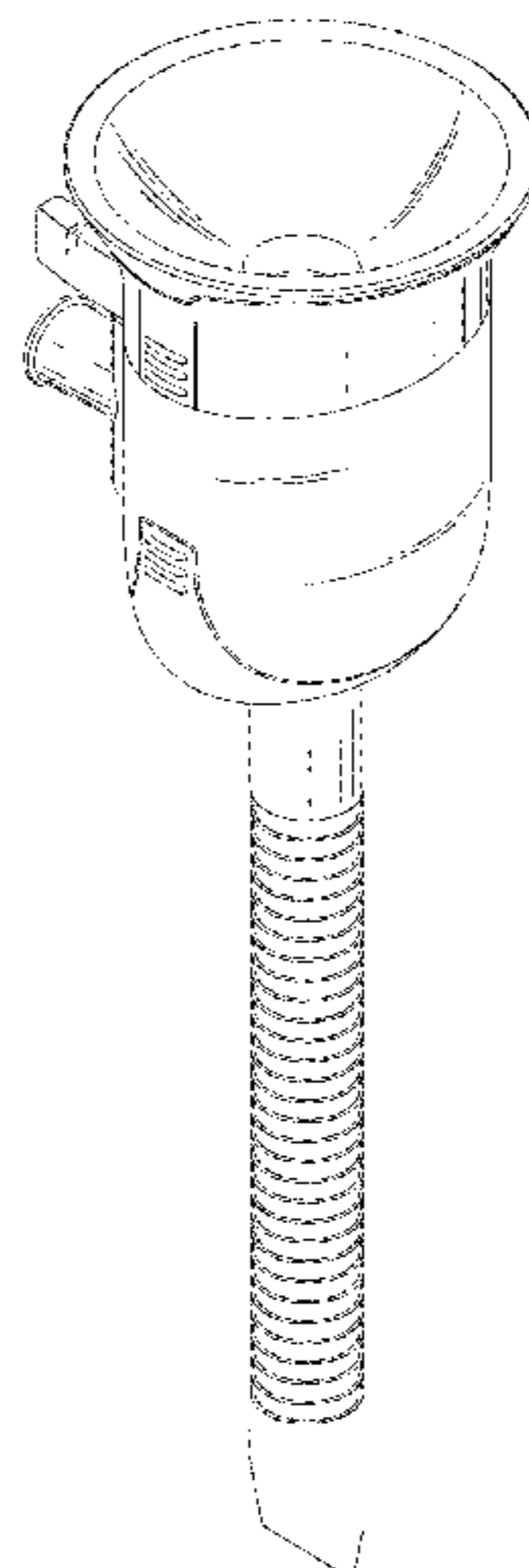
(56) **References Cited**

U.S. PATENT DOCUMENTS

The broken lines depict portions of the surgical instrument that form no part of the claim.

D703,821 S * 4/2014 Moon D24/187
D787,685 S * 5/2017 Vezina D24/187

1 Claim, 7 Drawing Sheets



(56)

References Cited

U.S. PATENT DOCUMENTS

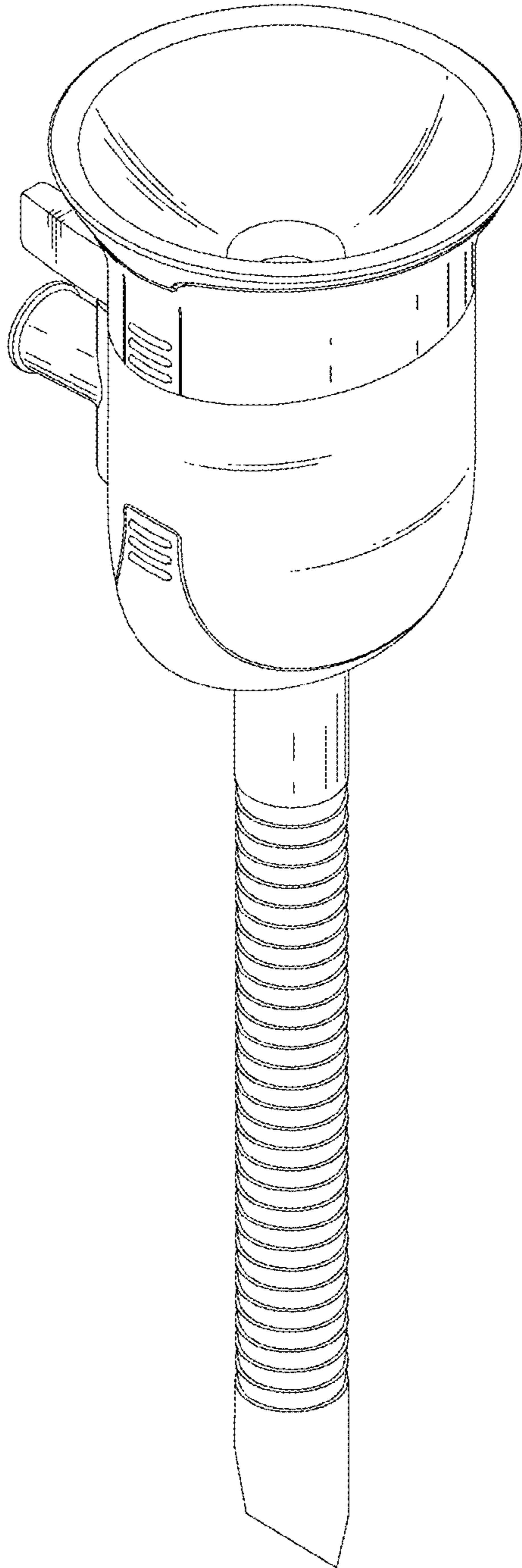
2014/0350570 A1* 11/2014 Lee A61B 17/29
606/130
2019/0000477 A1* 1/2019 Shelton, IV A61B 17/29
2020/0330095 A1* 10/2020 Beardsley A61B 34/70

OTHER PUBLICATIONS

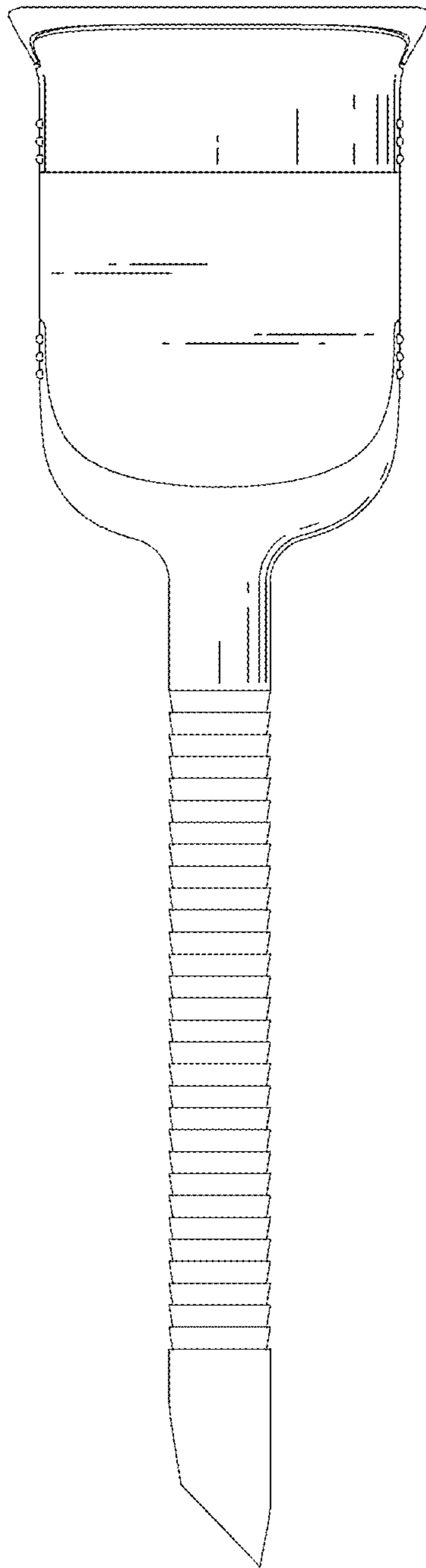
PR News Wire. LivsMed Receives FDA 510(k) Clearance for ArtiSential™ Articulating Energy Laparoscopic Instruments. Jun. 30, 2020. <https://www.prnewswire.com/news-releases/livsmed-receives-fda-510k-clearance-for-artisential-articulating-energy-laparoscopic-instruments-301085422.html> (Year: 2020).*

* cited by examiner

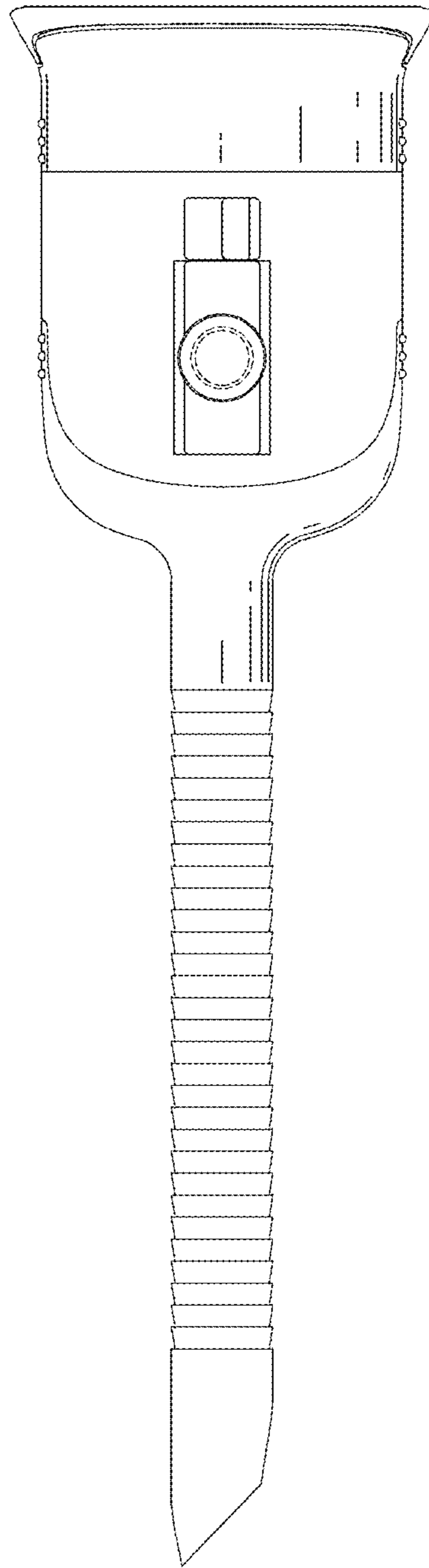
1.1



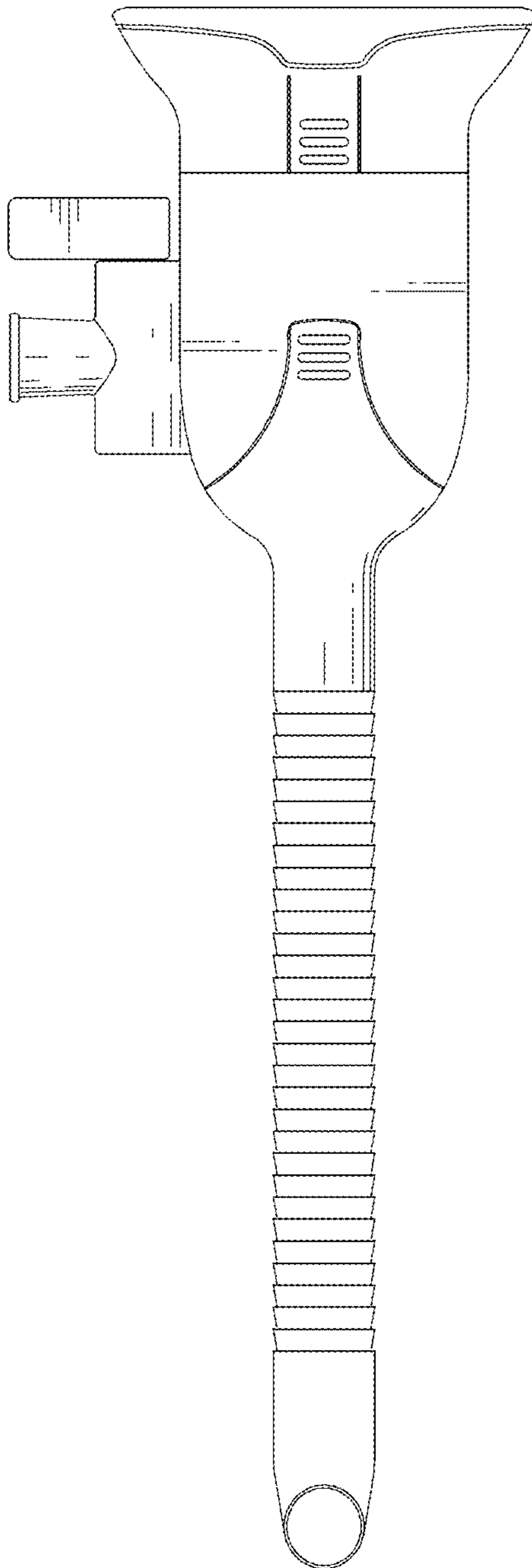
1.2



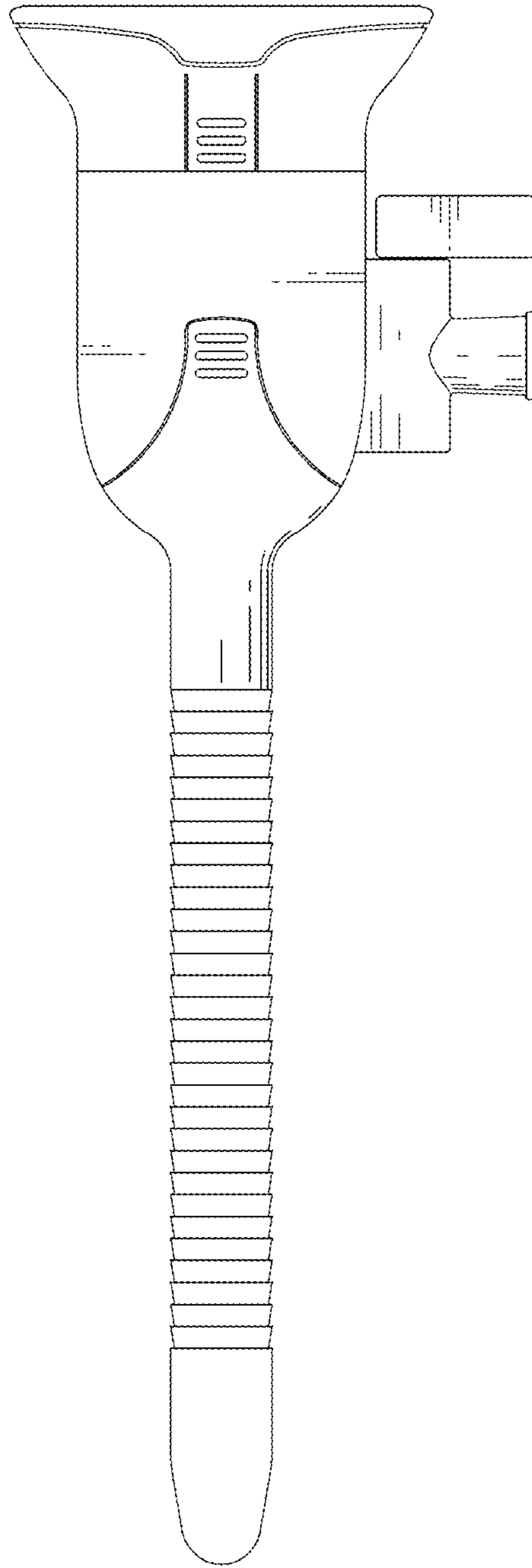
1.3



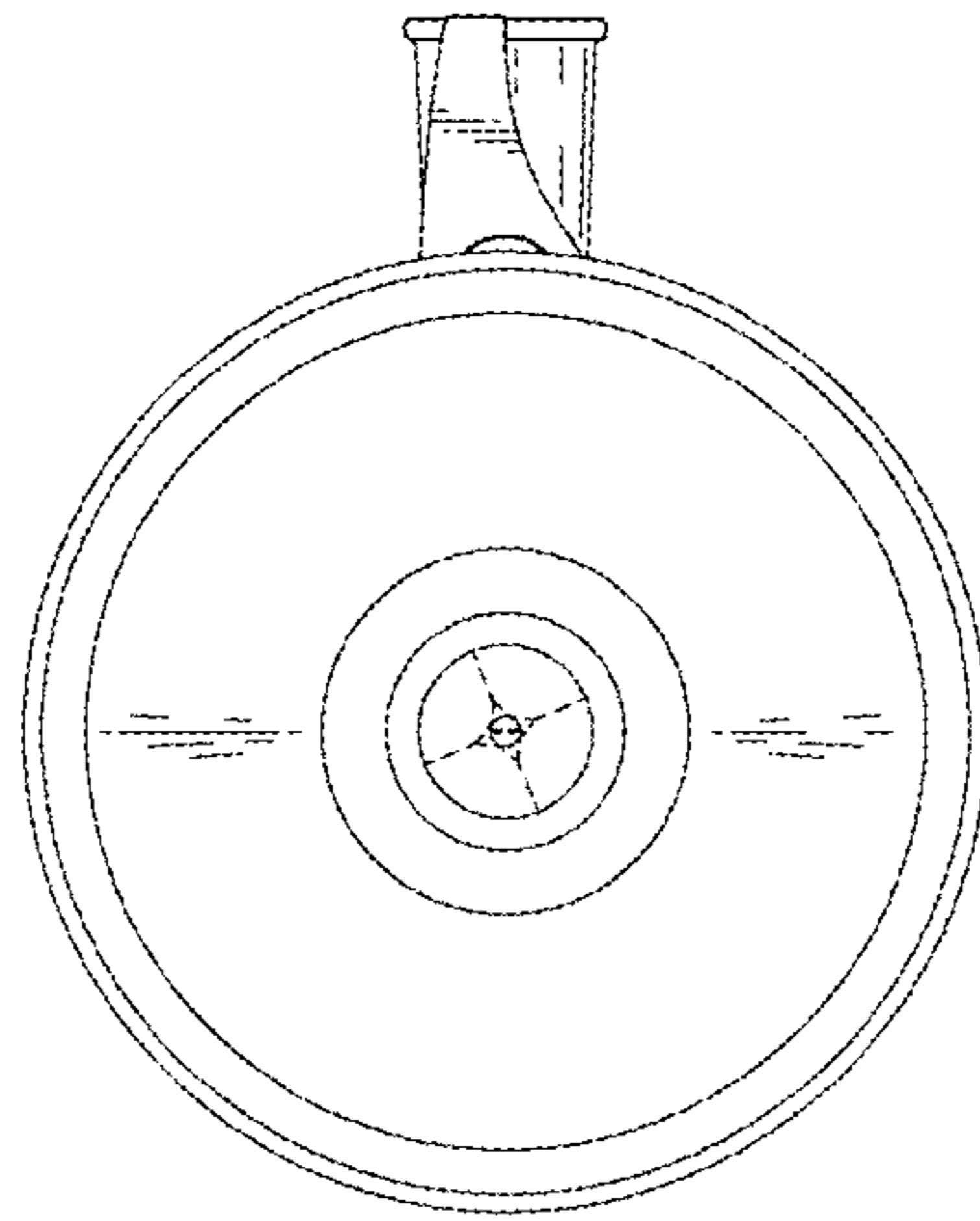
1.4



1.5



1.6



1.7

