



US00D938017S

(12) **United States Design Patent** (10) **Patent No.:** **US D938,017 S**  
**Penfold** (45) **Date of Patent:** **\*\* Dec. 7, 2021**

(54) **PERISTALTIC PUMP**  
(71) Applicant: **Brightwell Dispensers Limited,**  
Newhaven (GB)  
(72) Inventor: **Timothy David Penfold,** Newhaven  
(GB)  
(73) Assignee: **Brightwell Dispensers Limited,**  
Newhaven (GB)  
(\*\*) Term: **15 Years**  
(21) Appl. No.: **29/594,469**  
(22) Filed: **Feb. 17, 2017**

(30) **Foreign Application Priority Data**  
Aug. 18, 2016 (EM) ..... 3344910-0002  
(51) **LOC (13) Cl.** ..... **29-02**  
(52) **U.S. Cl.**  
USPC ..... **D24/111**  
(58) **Field of Classification Search**  
USPC ..... D24/111, 107, 108, 186, 169  
CPC ..... A61M 5/20; A61M 5/30; A61M 5/142;  
A61M 5/14228; A61M 5/14248; A61M  
5/172; A61M 5/14566; A61M 5/14244;  
A61M 2005/14208; A61M 2005/502;  
A61M 1/1039  
See application file for complete search history.

(56) **References Cited**  
U.S. PATENT DOCUMENTS  
D285,347 S \* 8/1986 Nelson ..... D24/111  
D314,433 S \* 2/1991 Frantz ..... D24/111  
D328,952 S \* 8/1992 Arioka ..... D10/46  
D380,546 S \* 7/1997 Clegg ..... D24/111  
D633,619 S \* 3/2011 Collins ..... D24/111

D714,459 S \* 9/2014 Develon ..... D24/216  
D730,514 S \* 5/2015 Boaz ..... D24/111  
D789,516 S \* 6/2017 Gill ..... D24/108  
D801,519 S \* 10/2017 Sabin ..... D24/108  
D803,386 S \* 11/2017 Sabin ..... D24/108  
D803,387 S \* 11/2017 Bodwell ..... D24/108  
D804,017 S \* 11/2017 Sabin ..... D24/111  
2005/0069419 A1\* 3/2005 Cull ..... F04B 43/1261  
417/53  
2005/0069437 A1\* 3/2005 Mittelstein ..... F04B 43/1253  
417/477.2  
2007/0217932 A1\* 9/2007 Voyeux ..... F04B 43/1253  
417/477.2  
2009/0087326 A1\* 4/2009 Voltenburg, Jr. ....  
A61M 5/14232  
417/477.2  
2010/0008793 A1\* 1/2010 McDowell ..... B25B 33/00  
417/1

(Continued)

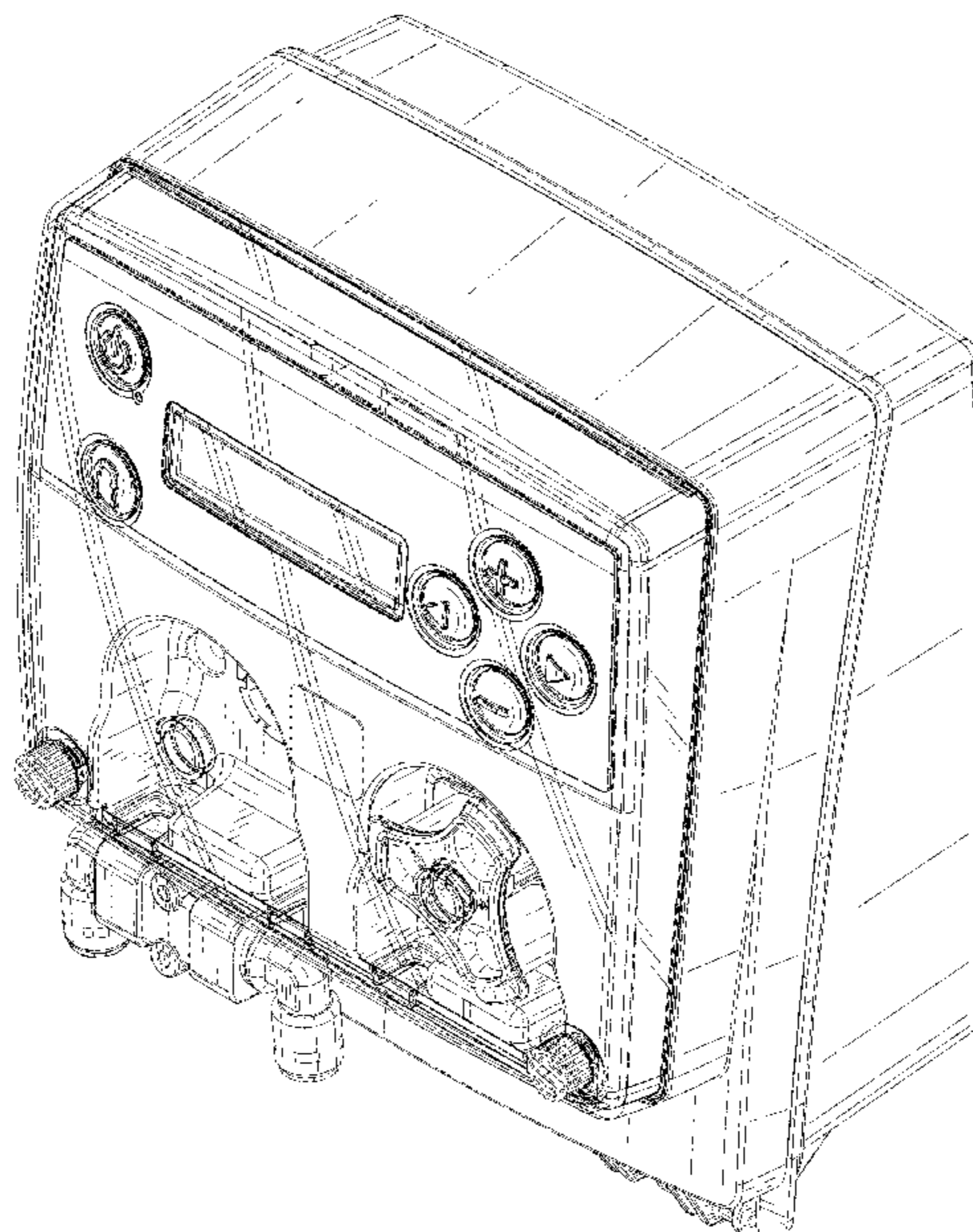
*Primary Examiner* — Sheryl Lane  
*Assistant Examiner* — Aula Soroush  
(74) *Attorney, Agent, or Firm* — Levy & Grandinetti

(57) **CLAIM**  
The ornamental design for a peristaltic pump, as shown and described.

**DESCRIPTION**

FIG. 1 is a perspective view of a peristaltic pump;  
FIG. 2 is a front side view of the peristaltic pump of FIG. 1;  
FIG. 3 is a back side view of the peristaltic pump of FIG. 1;  
FIG. 4 is a left side view of the peristaltic pump of FIG. 1;  
FIG. 5 is a right side view of the peristaltic pump of FIG. 1;  
FIG. 6 is a top plan view of the peristaltic pump of FIG. 1;  
and,  
FIG. 7 is a bottom plan view of the peristaltic pump of FIG. 1.  
The broken lines in the drawings depict portions of the peristaltic pump that form no part of the claimed design.

**1 Claim, 7 Drawing Sheets**



(56)

**References Cited**

U.S. PATENT DOCUMENTS

2011/0152831 A1\* 6/2011 Rotem ..... A61M 5/14228  
604/506  
2012/0027622 A1\* 2/2012 Ashburn ..... A61M 5/14232  
417/53  
2013/0115120 A1\* 5/2013 Jarnagin ..... F04B 43/1284  
417/477.2

\* cited by examiner



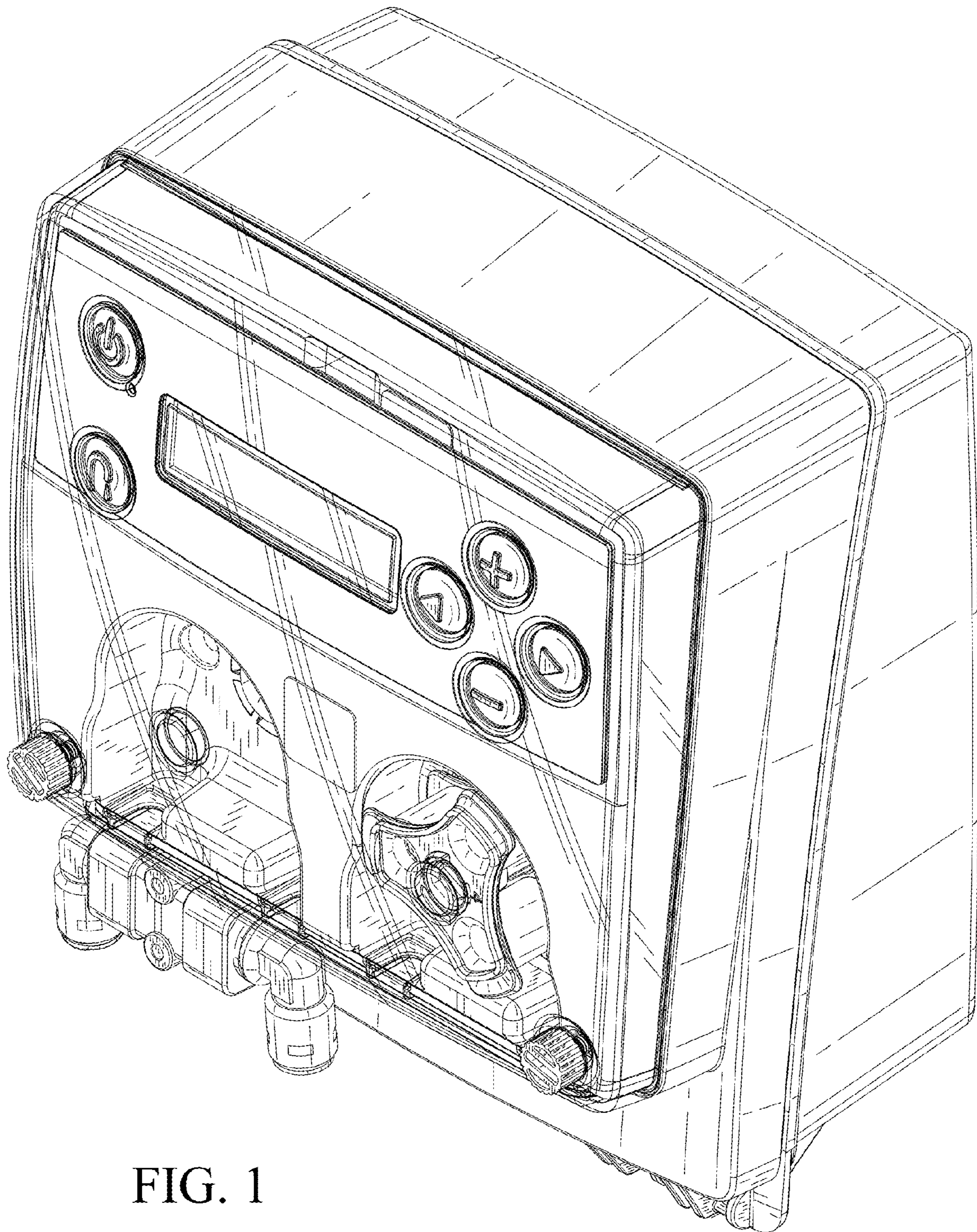


FIG. 1



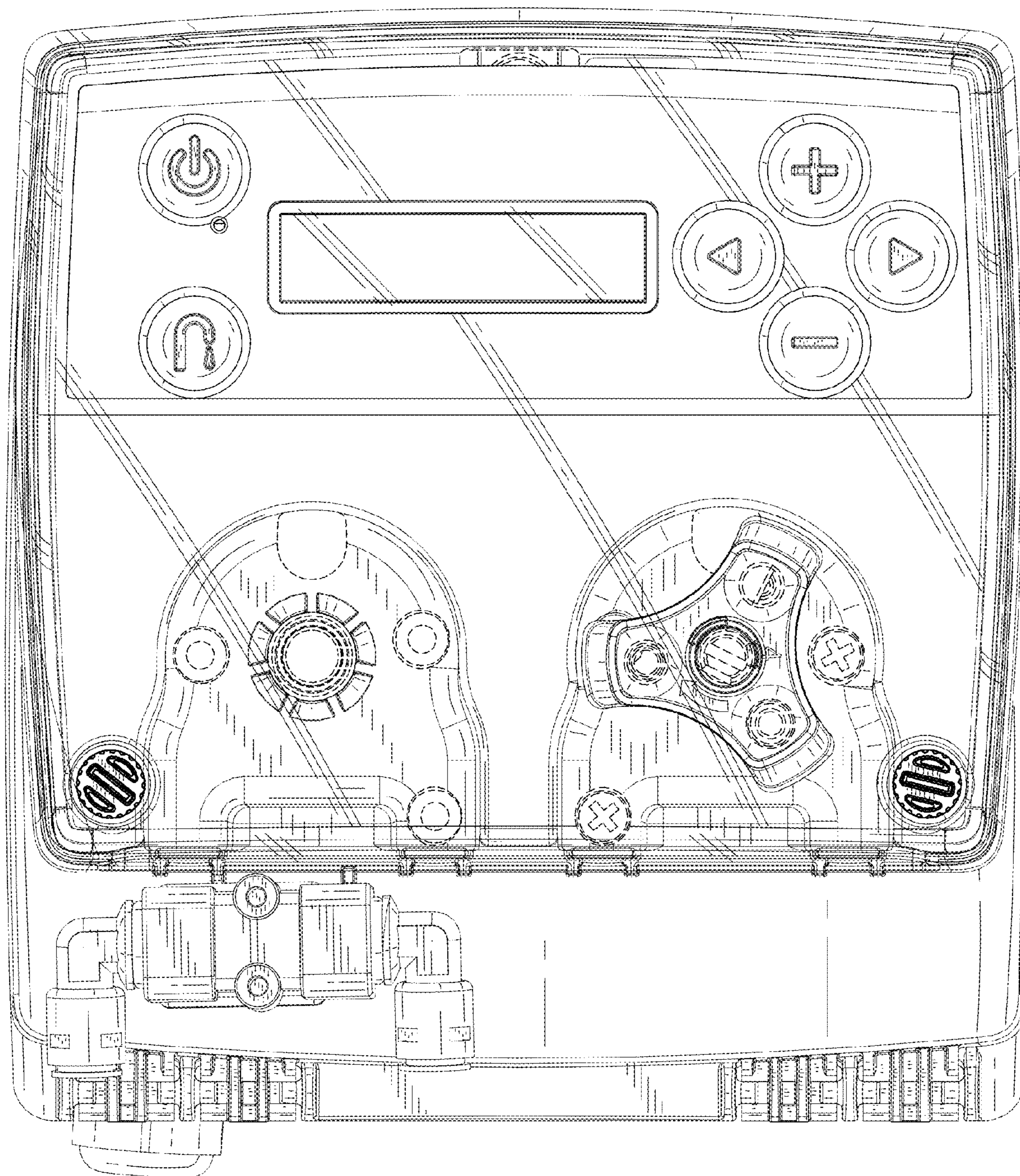


FIG. 2

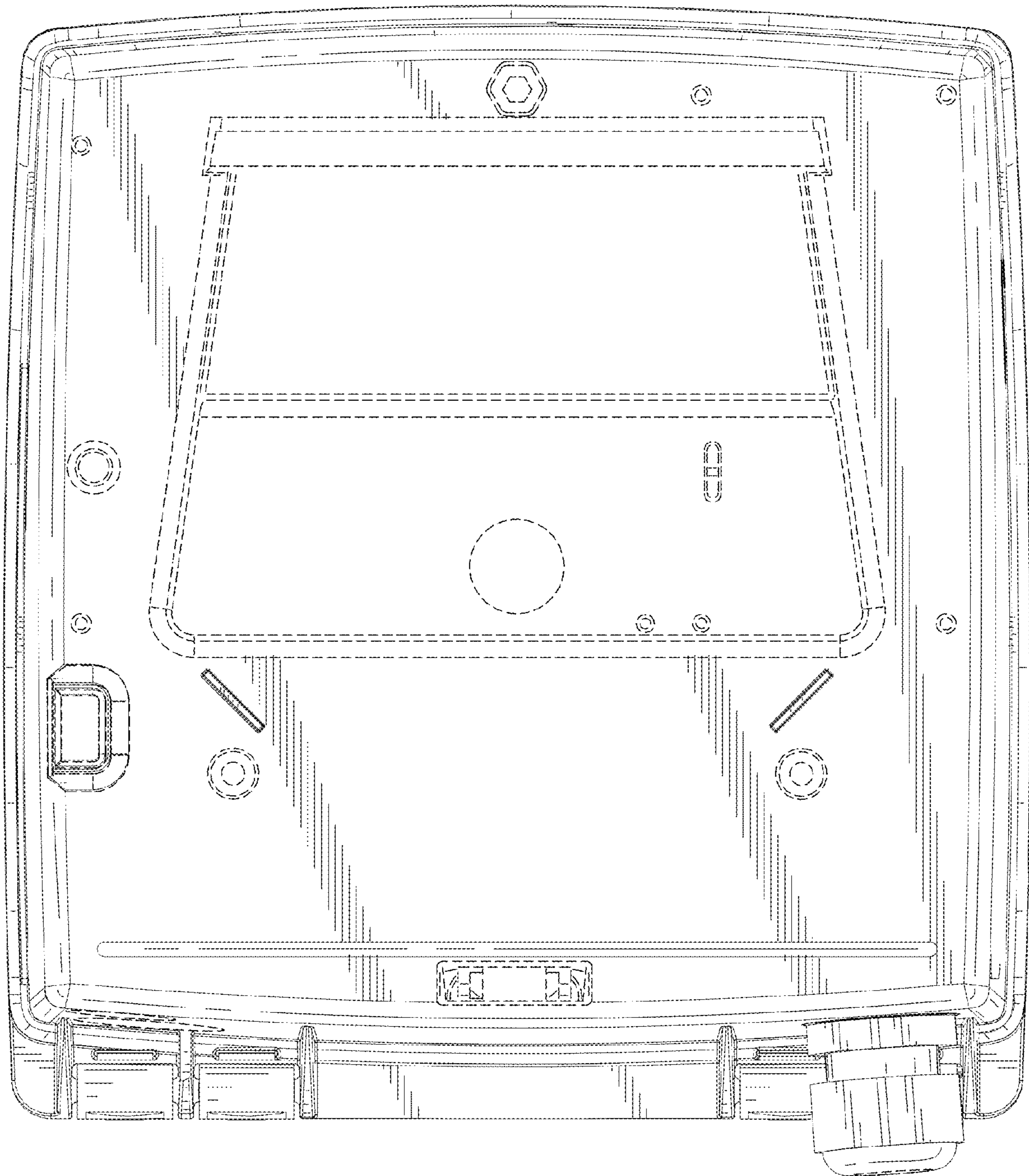


FIG. 3



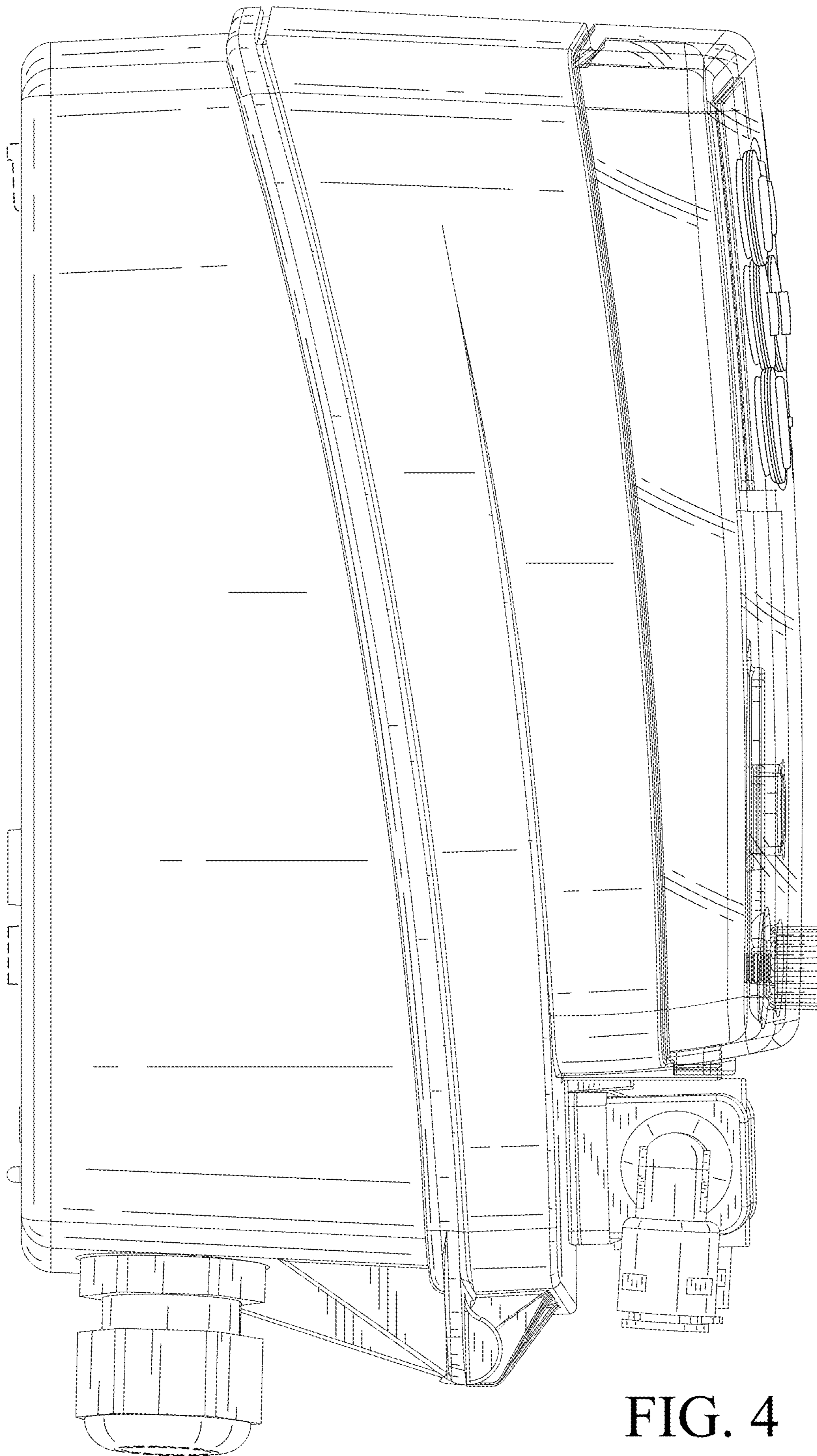


FIG. 4

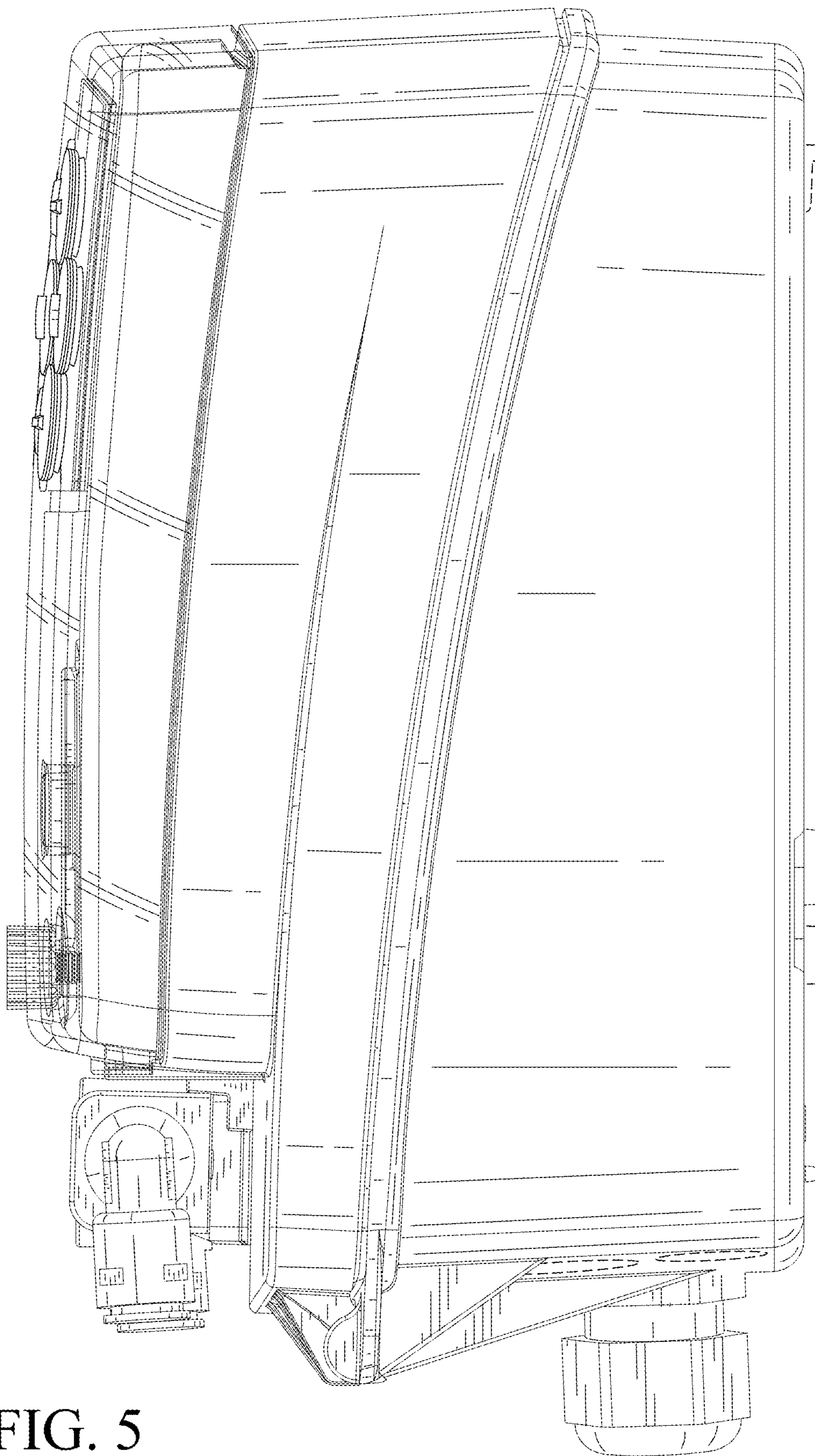


FIG. 5

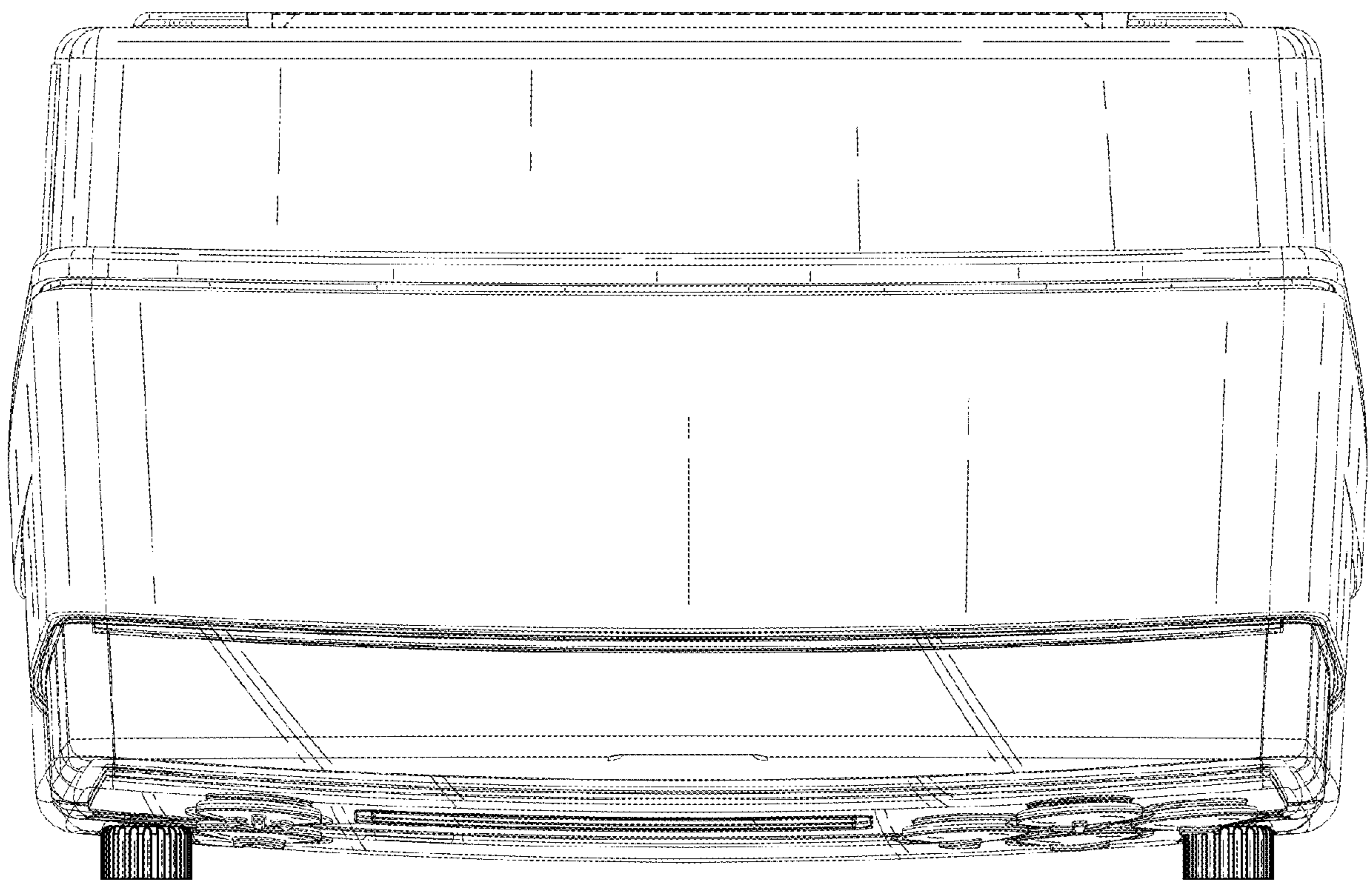


FIG. 6



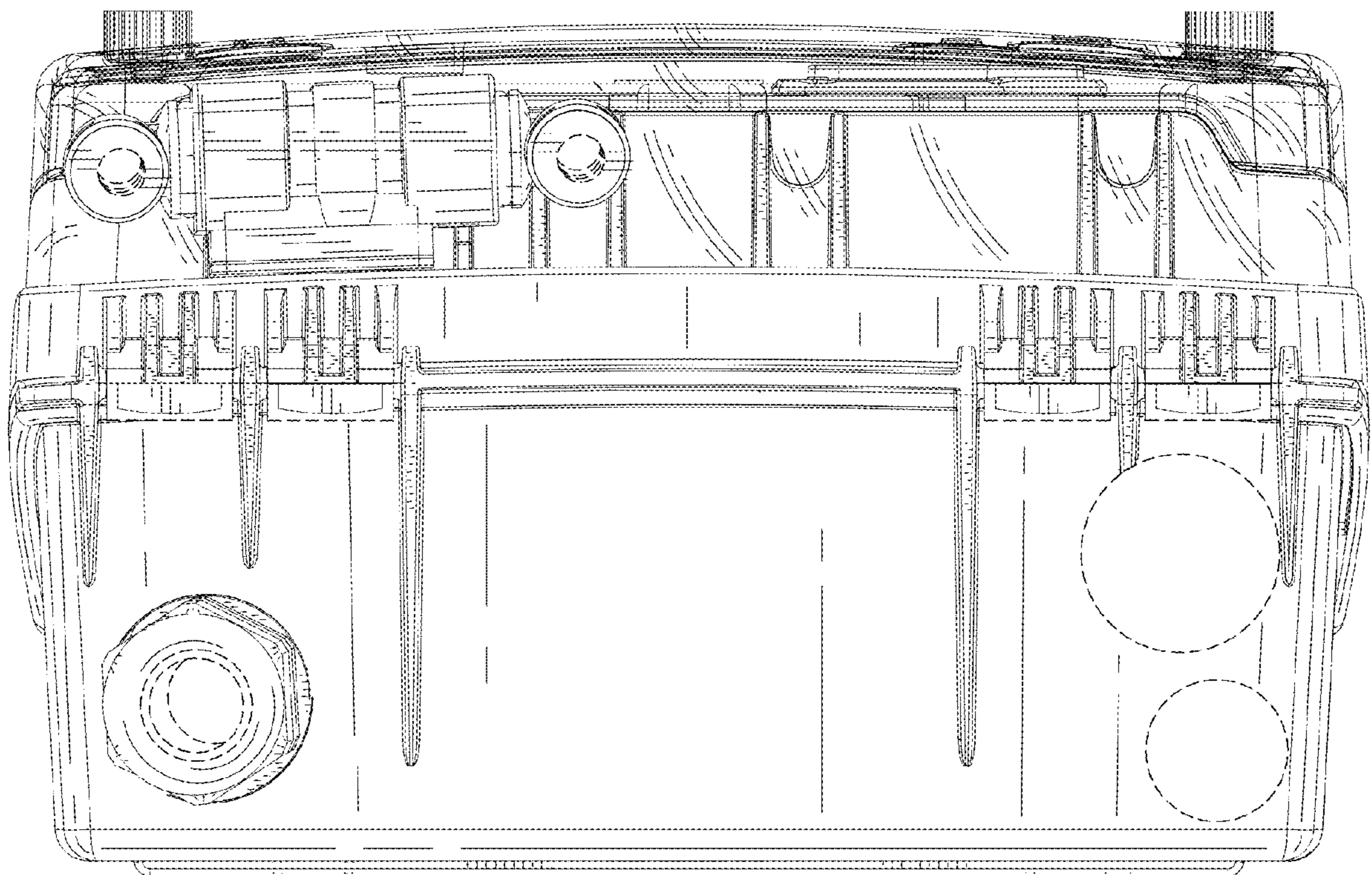


FIG. 7