



US00D938014S

(12) **United States Design Patent**
Allum et al.

(10) **Patent No.:** **US D938,014 S**
(45) **Date of Patent:** **** Dec. 7, 2021**

(54) **CANNULA PILLOWS OF A NASAL INTERFACE DEVICE**

(71) Applicant: **SILVERBOW DEVELOPMENT, LLC**, San Ramon, CA (US)

(72) Inventors: **Todd Allum**, Livermore, CA (US);
Gregory J. Kapust, San Ramon, CA (US)

(73) Assignee: **INOGEN, INC.**, Goleta, CA (US)

(**) Term: **15 Years**

(21) Appl. No.: **29/693,107**

(22) Filed: **May 30, 2019**

(51) **LOC (13) Cl.** **29-02**

(52) **U.S. Cl.**
USPC **D24/110.1**

(58) **Field of Classification Search**
USPC D24/110-110.6, 127, 129; D29/110
CPC A61M 16/0616; A61M 16/0633; A61M 16/06; A61M 16/0666; A61M 16/0683; A61M 16/0605; A61M 16/0622; A61M 16/0644; A61M 16/0875; A61M 16/0816; A61M 16/08; B63C 11/205; B63C 11/16; B63C 11/186; B63C 11/12
See application file for complete search history.

(56) **References Cited**

U.S. PATENT DOCUMENTS

D589,139 S *	3/2009	Guney	D24/110.1
D595,848 S *	7/2009	Dolezal	D24/106
D627,059 S *	11/2010	Wood	D24/110.5
D634,838 S *	3/2011	Dolezal	D24/106
D645,557 S *	9/2011	Scheiner	D24/110.1
D662,200 S *	6/2012	Eghbal	D24/110.1
9,027,553 B2 *	5/2015	Witt	A61M 16/0666 128/205.25
D770,608 S *	11/2016	Allum	D24/110.1

2006/0266361 A1 *	11/2006	Hernandez	A61M 16/06 128/206.11
2011/0259340 A1 *	10/2011	Witt	A61M 16/0666 128/207.18
2015/0250973 A1 *	9/2015	Allum	A61M 16/0666 128/205.25
2017/0246413 A1 *	8/2017	Peets	A61M 16/0666

* cited by examiner

Primary Examiner — Sheryl Lane

Assistant Examiner — Aula Soroush

(74) *Attorney, Agent, or Firm* — Artegis Law Group, LLP

(57) **CLAIM**

The ornamental design for cannula pillows of a nasal interface device, as shown and described.

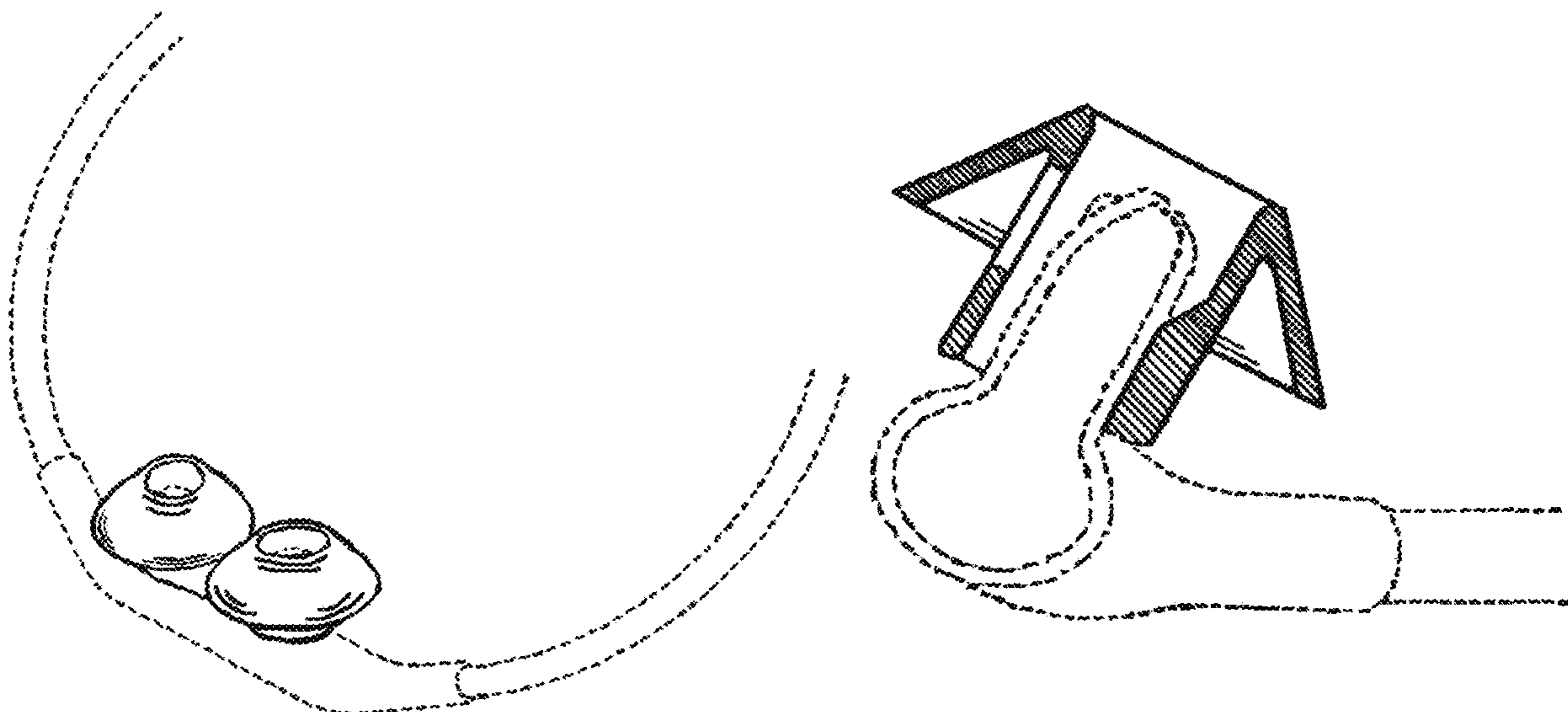
DESCRIPTION

FIG. 1 is a left isometric view of the cannula pillows of a nasal interface device, showing our new design;
FIG. 2 is a front view thereof;
FIG. 3 is a right side view thereof;
FIG. 4 is a back view thereof;
FIG. 5 is a left side view thereof;
FIG. 6 is a top view thereof;
FIG. 7 is a bottom view thereof;
FIG. 8 is another top view thereof that is annotated with a line showing a section there; and,
FIG. 9 is a cross-section view thereof taken along line 9-9 of FIG. 8.

The line 9-9 indicated in FIG. 8 is for purposes of designating the cross-section of FIG. 9 and forms no part of the claimed design.

The broken lines in the figures are for purposes of illustrating environment only and form no part of the claimed design.

1 Claim, 9 Drawing Sheets



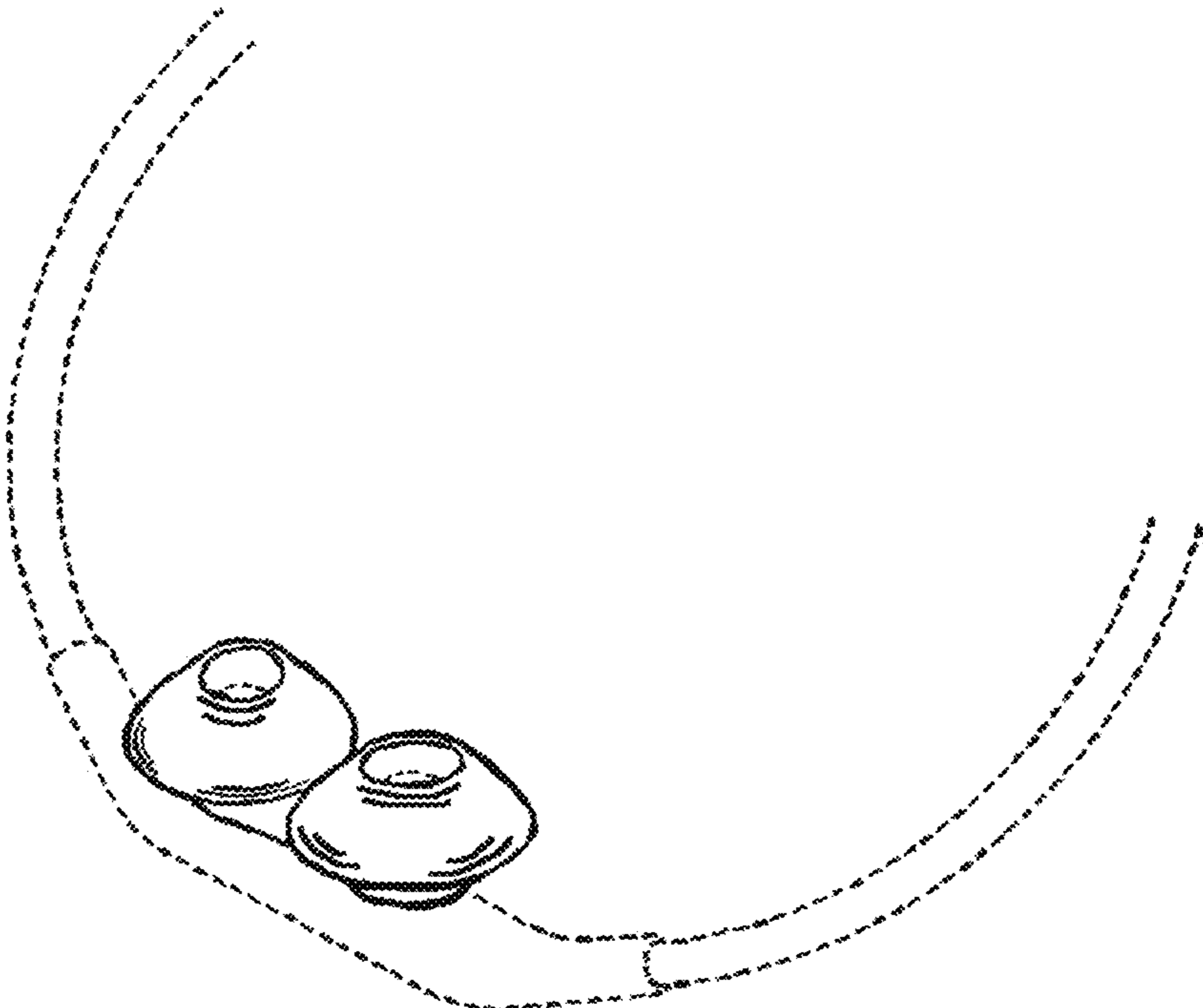


Fig. 1

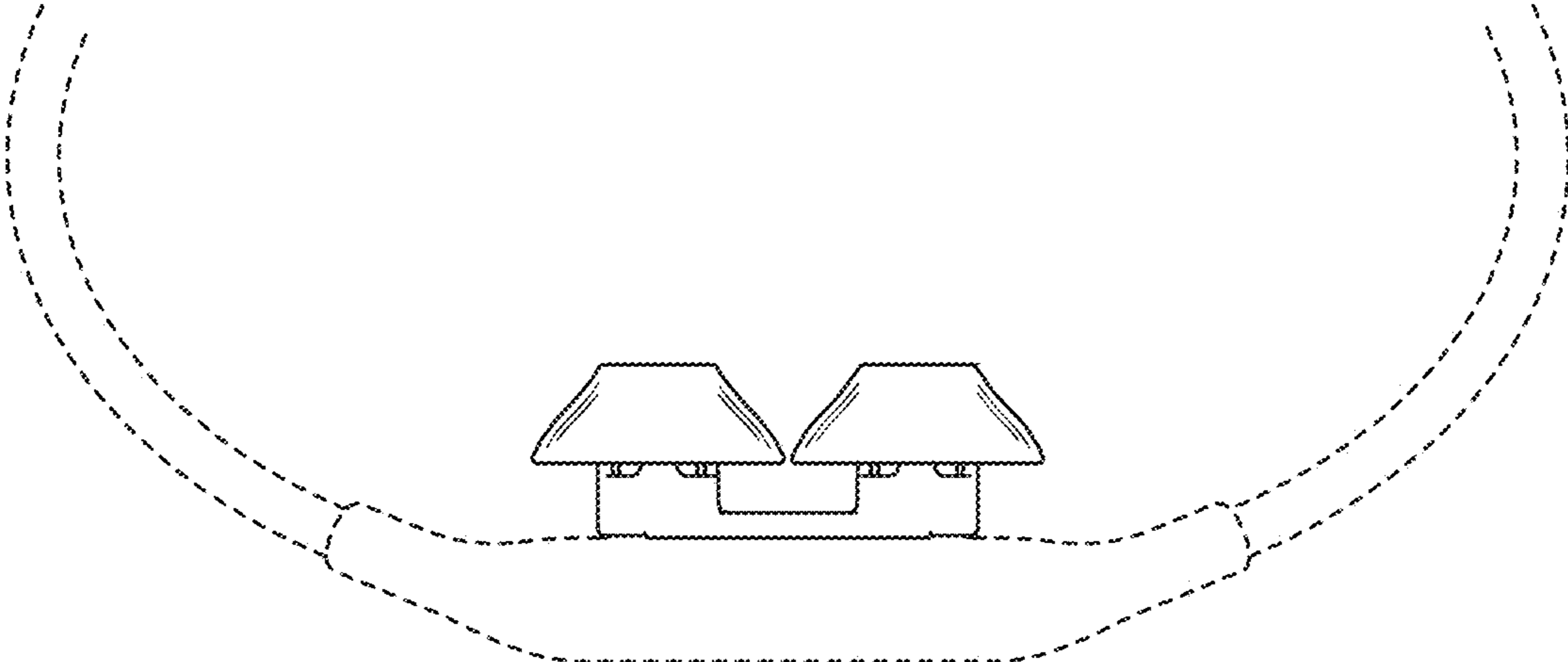


Fig. 2

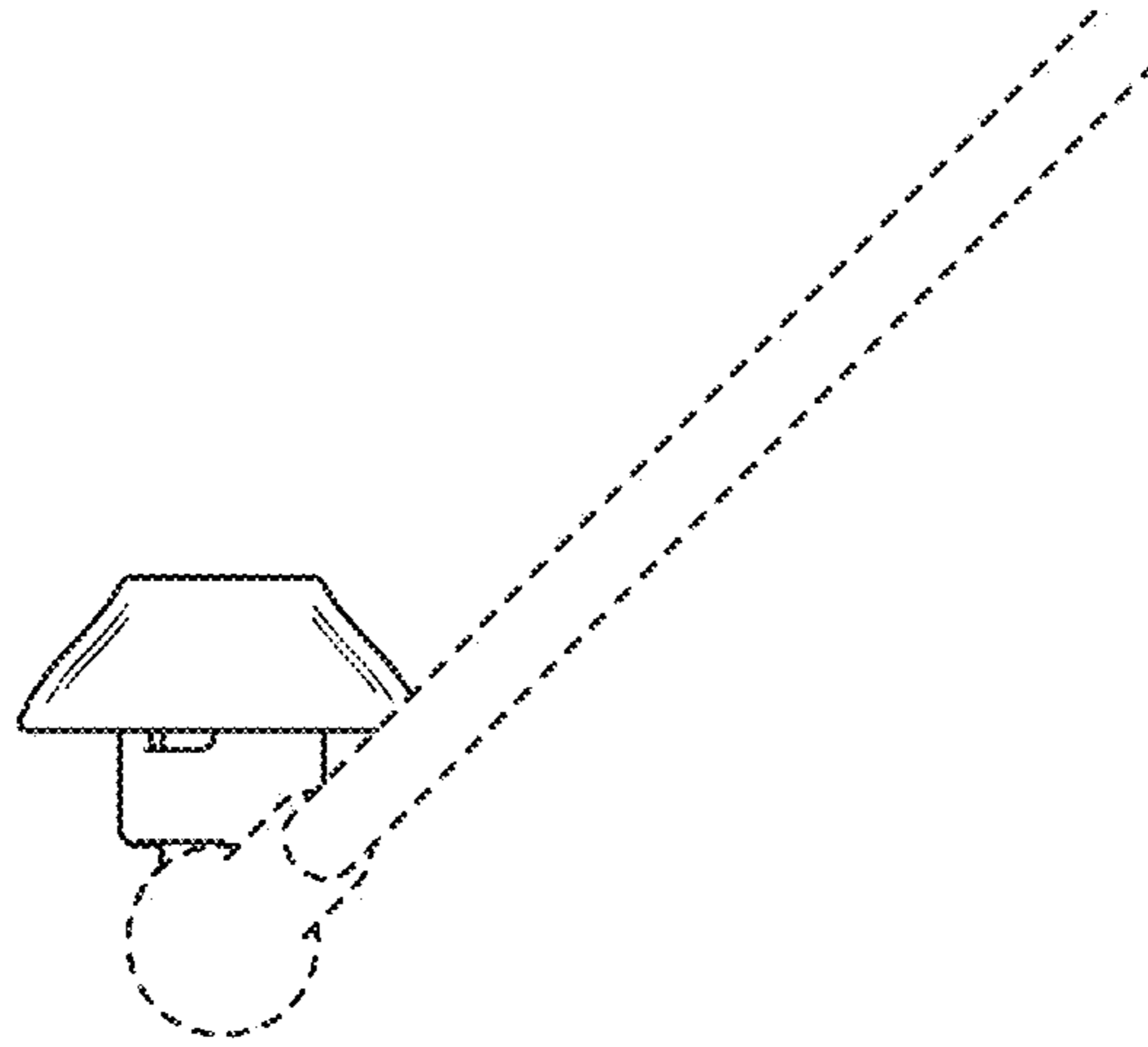


Fig. 3

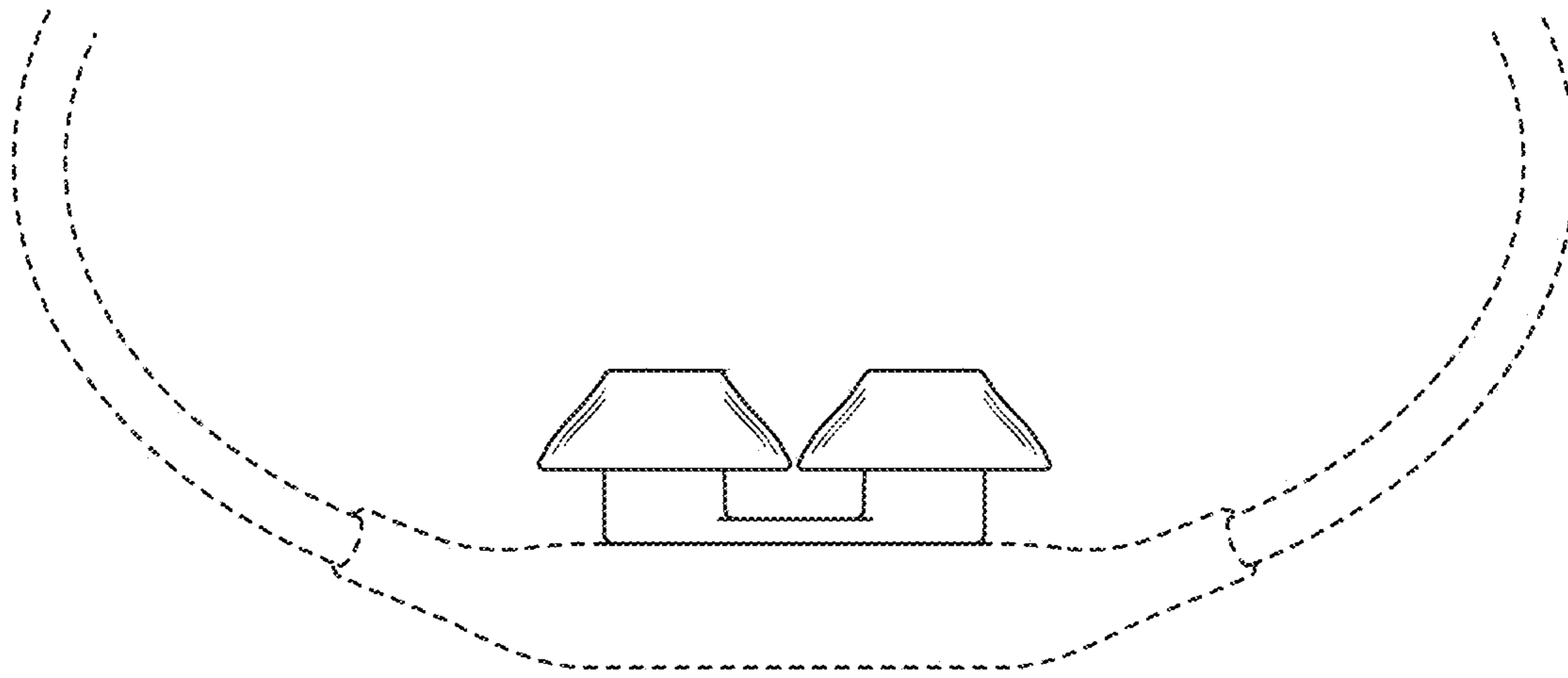


Fig. 4

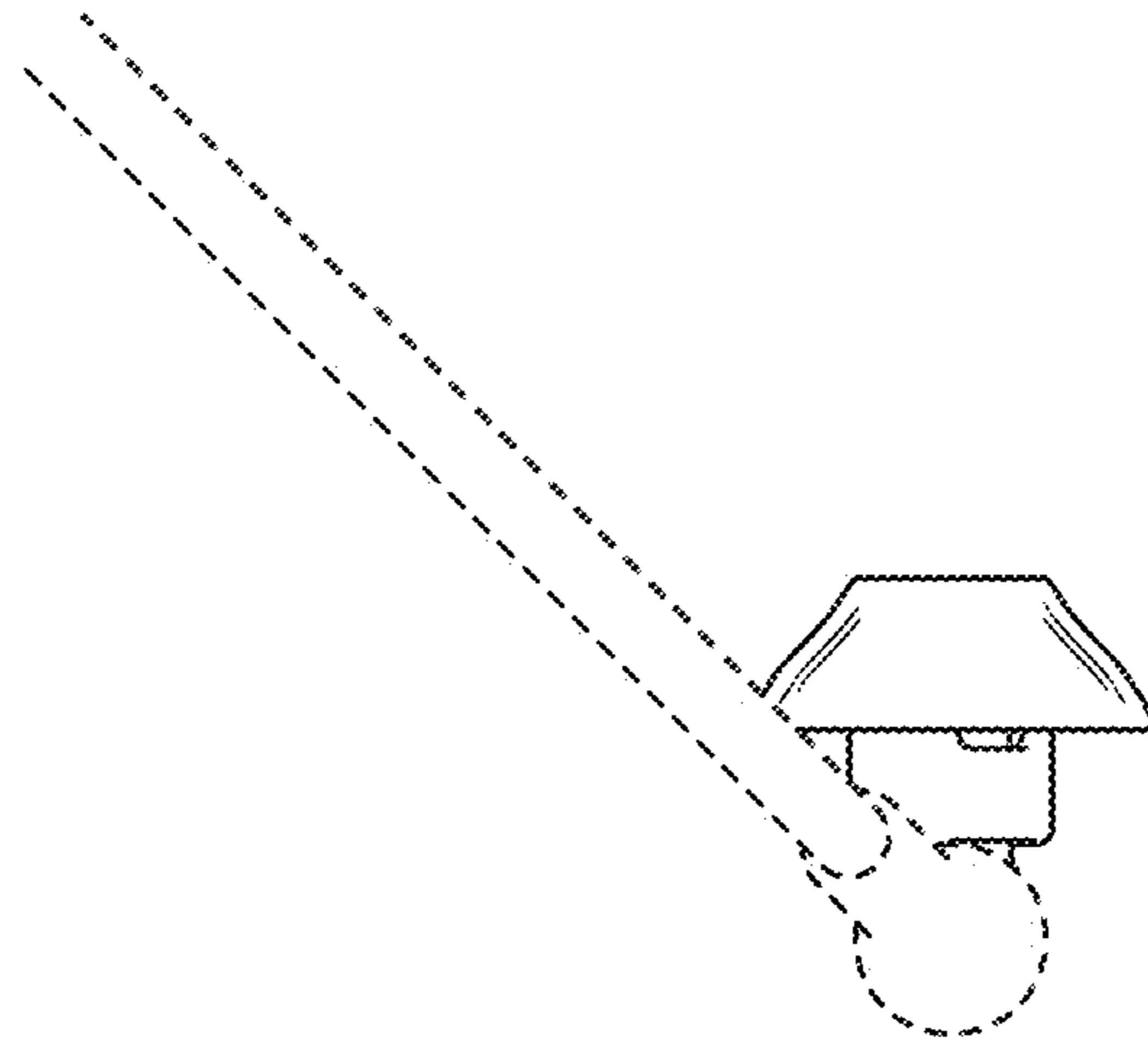


Fig. 5

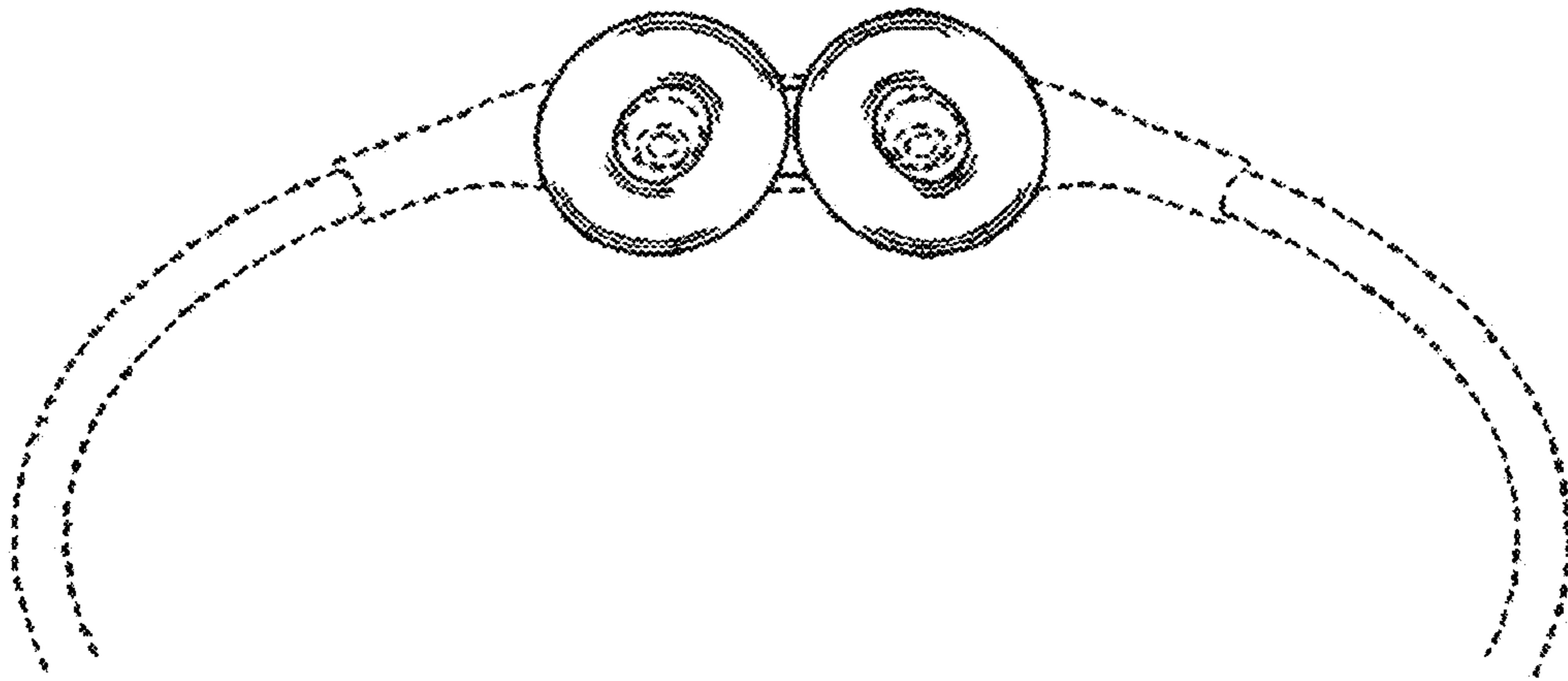


Fig. 6

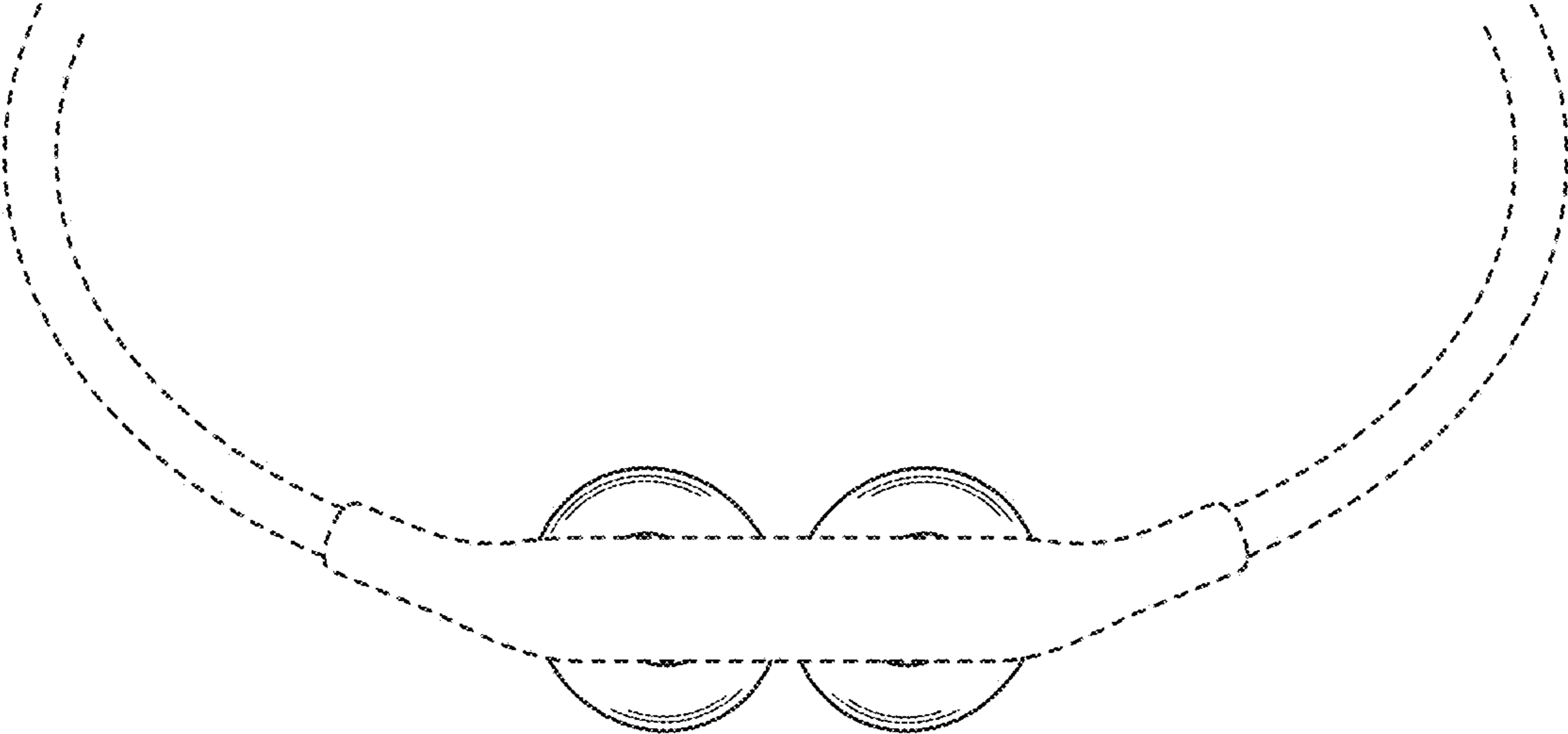


Fig. 7

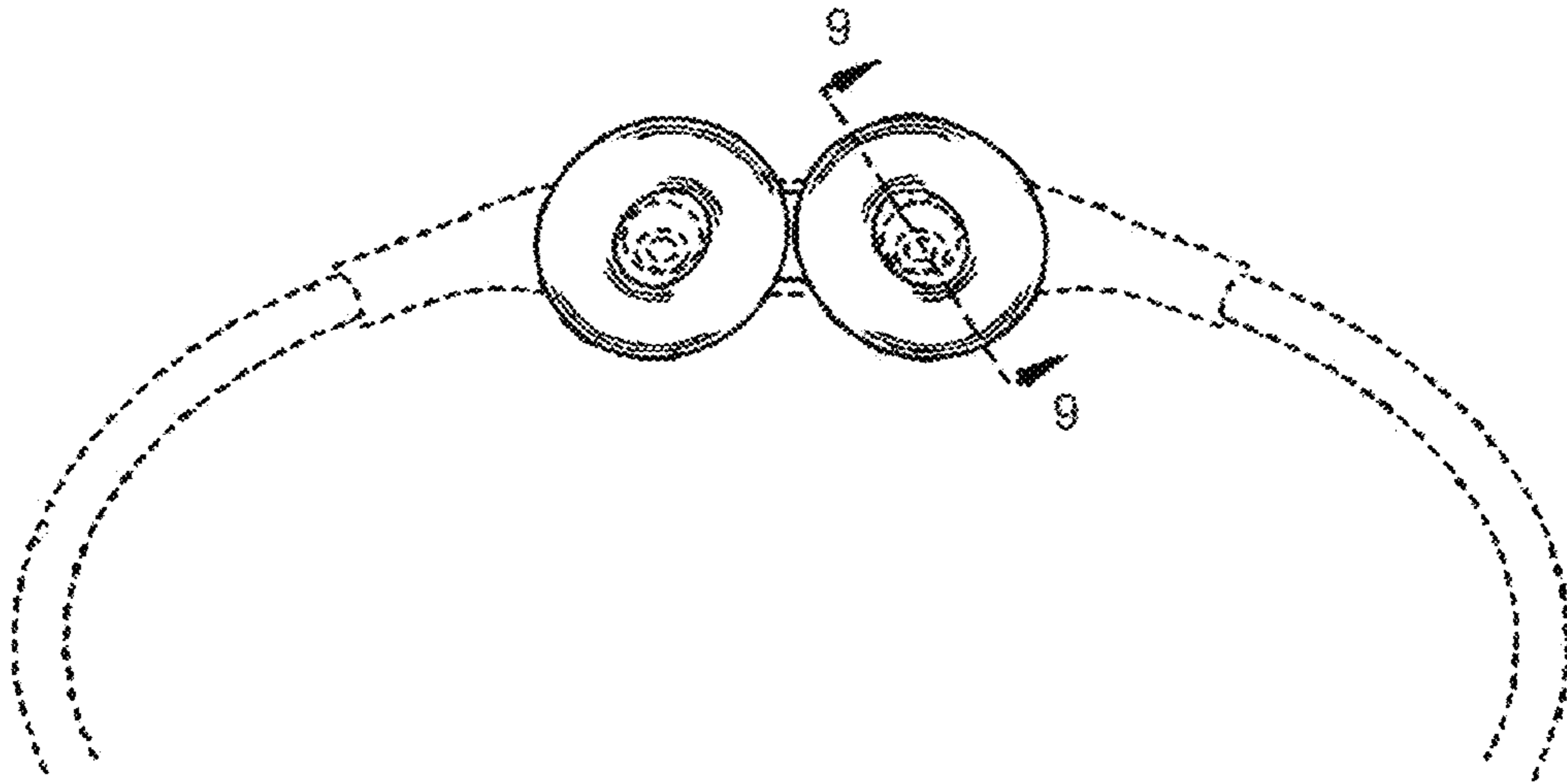


Fig. 8

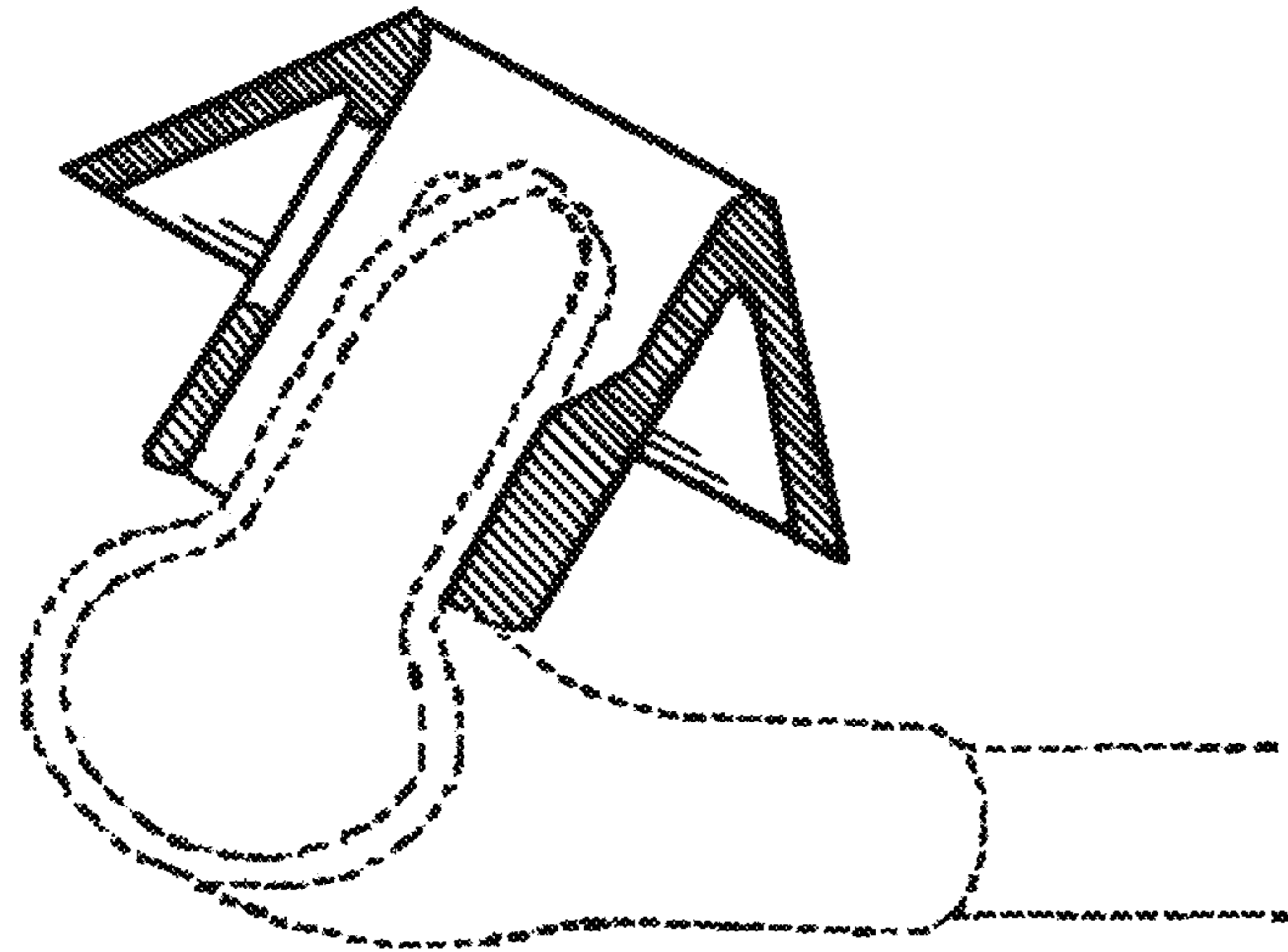


Fig. 9