



US00D938013S

(12) **United States Design Patent** (10) **Patent No.:** **US D938,013 S**
Clark (45) **Date of Patent:** **** Dec. 7, 2021**

(54) **SOUND ATTENUATION DEVICE**
(71) Applicant: **John Clark**, Washington, DC (US)
(72) Inventor: **John Clark**, Washington, DC (US)
(**) Term: **15 Years**
(21) Appl. No.: **29/690,418**
(22) Filed: **May 8, 2019**
(51) **LOC (13) Cl.** **24-04**
(52) **U.S. Cl.**
USPC **D24/106**
(58) **Field of Classification Search**
USPC D24/106, 173, 174
CPC A61F 11/08; A61F 11/12; A61F 11/10;
A61F 2011/085
See application file for complete search history.

(56) **References Cited**
U.S. PATENT DOCUMENTS
D810,272 S * 2/2018 Rappaport D24/106
D887,543 S * 6/2020 Gu A61F 11/08
2008/0187159 A1* 8/2008 Blanchard A61F 11/08
381/328
2021/0045926 A1* 2/2021 Clark A61F 11/10

* cited by examiner

Primary Examiner — Richelle G Shelton

(57) **CLAIM**

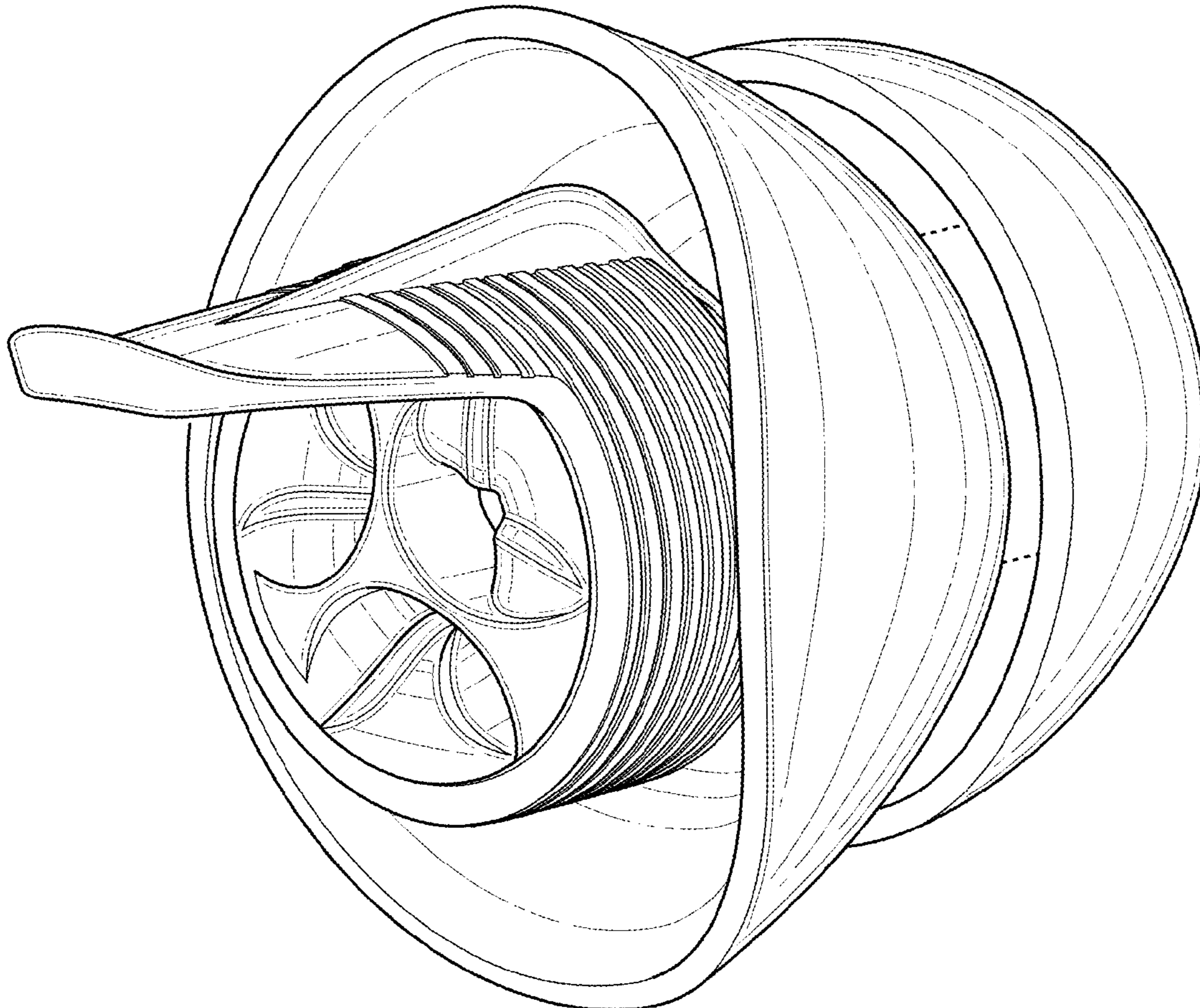
I claim the ornamental design for a sound attenuation device, as shown and described.

DESCRIPTION

FIG. 1 is a perspective view of the sound attenuation device of the claimed device;
FIG. 2 is a left side view of the sound attenuation device of FIG. 1;
FIG. 3 is a right side view of the sound attenuation device of FIG. 1;
FIG. 4 is a back side view of the sound attenuation device of FIG. 1;
FIG. 5 is a front side view of the sound attenuation device of FIG. 1;
FIG. 6 is a bottom view of the sound attenuation device of FIG. 1; and,
FIG. 7 is a top view of the sound attenuation device of FIG. 1.

The broken lines in FIG. 1 are included for the purpose of illustrating an element of the article excluded from the claim, with the lines themselves and the area within forming no part of the claimed design.

1 Claim, 4 Drawing Sheets



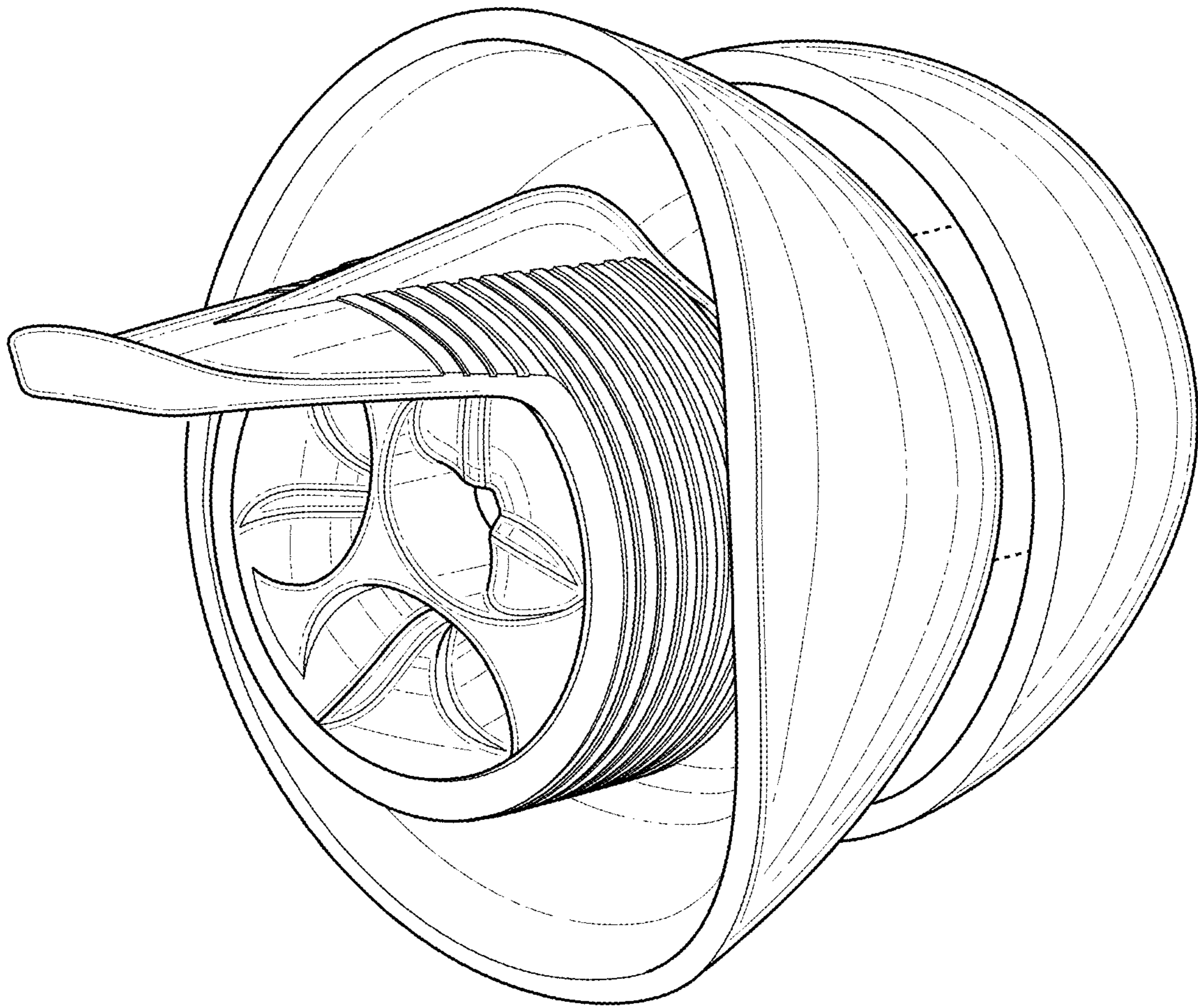


FIG. 1

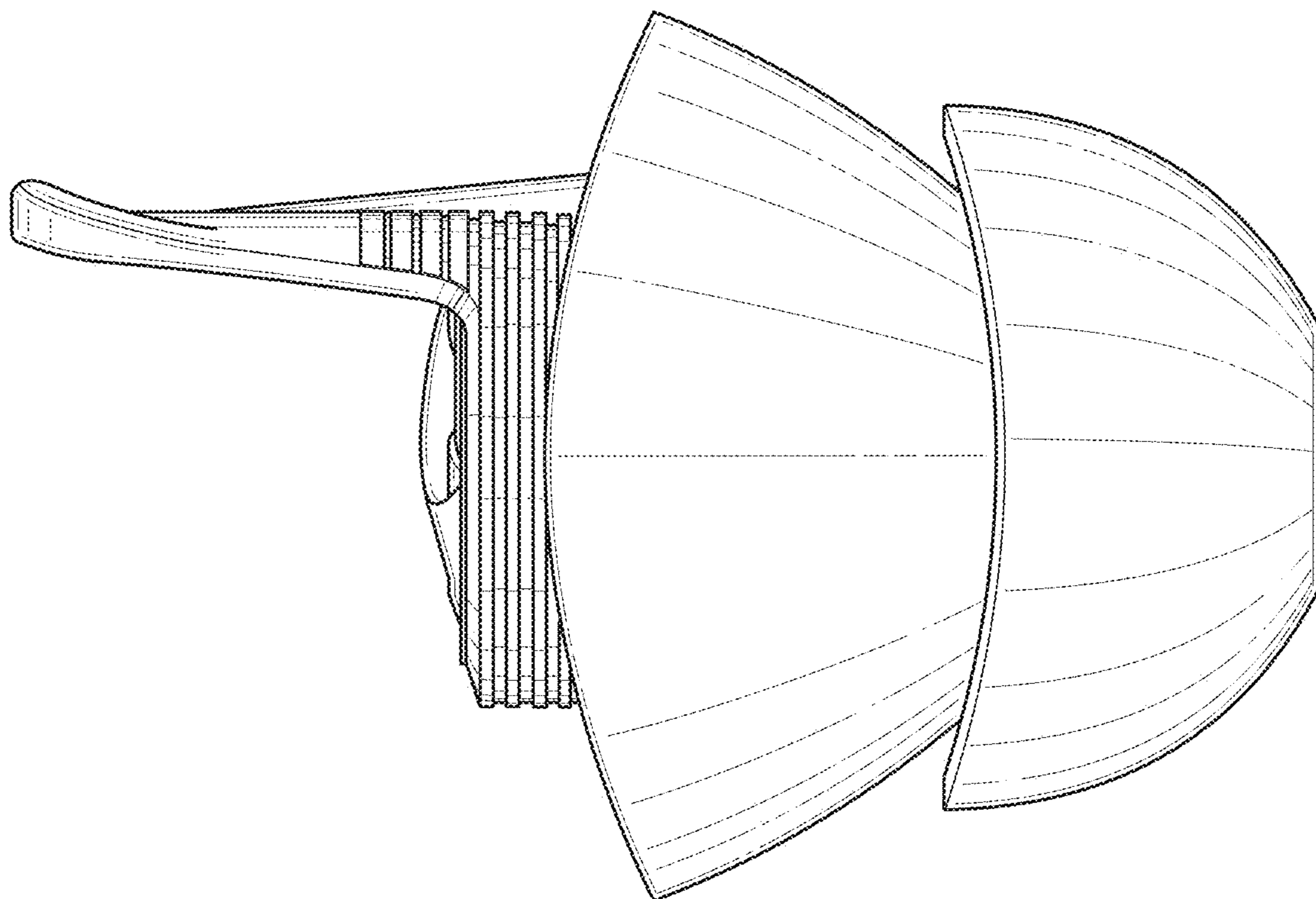


FIG. 2

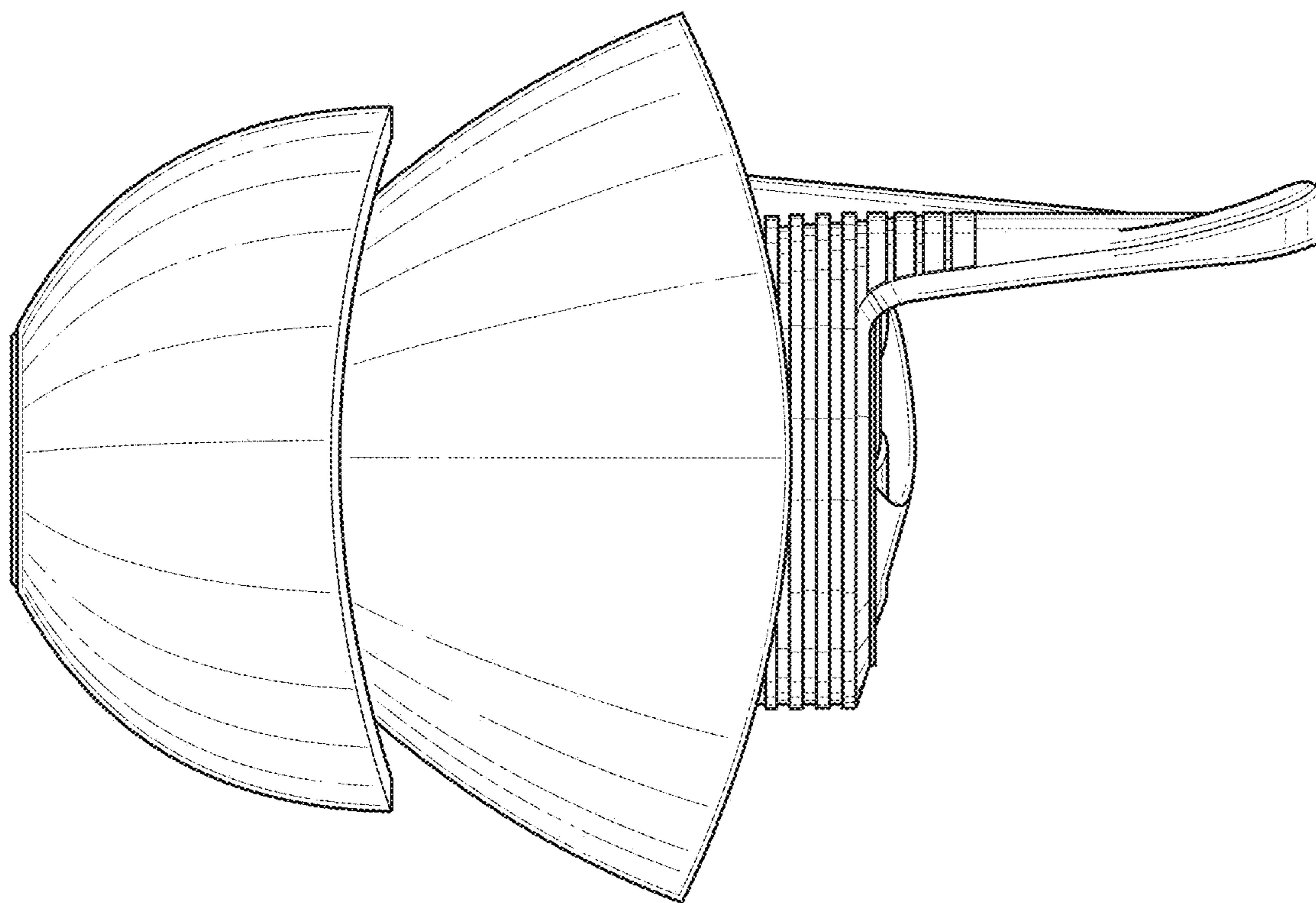


FIG. 3

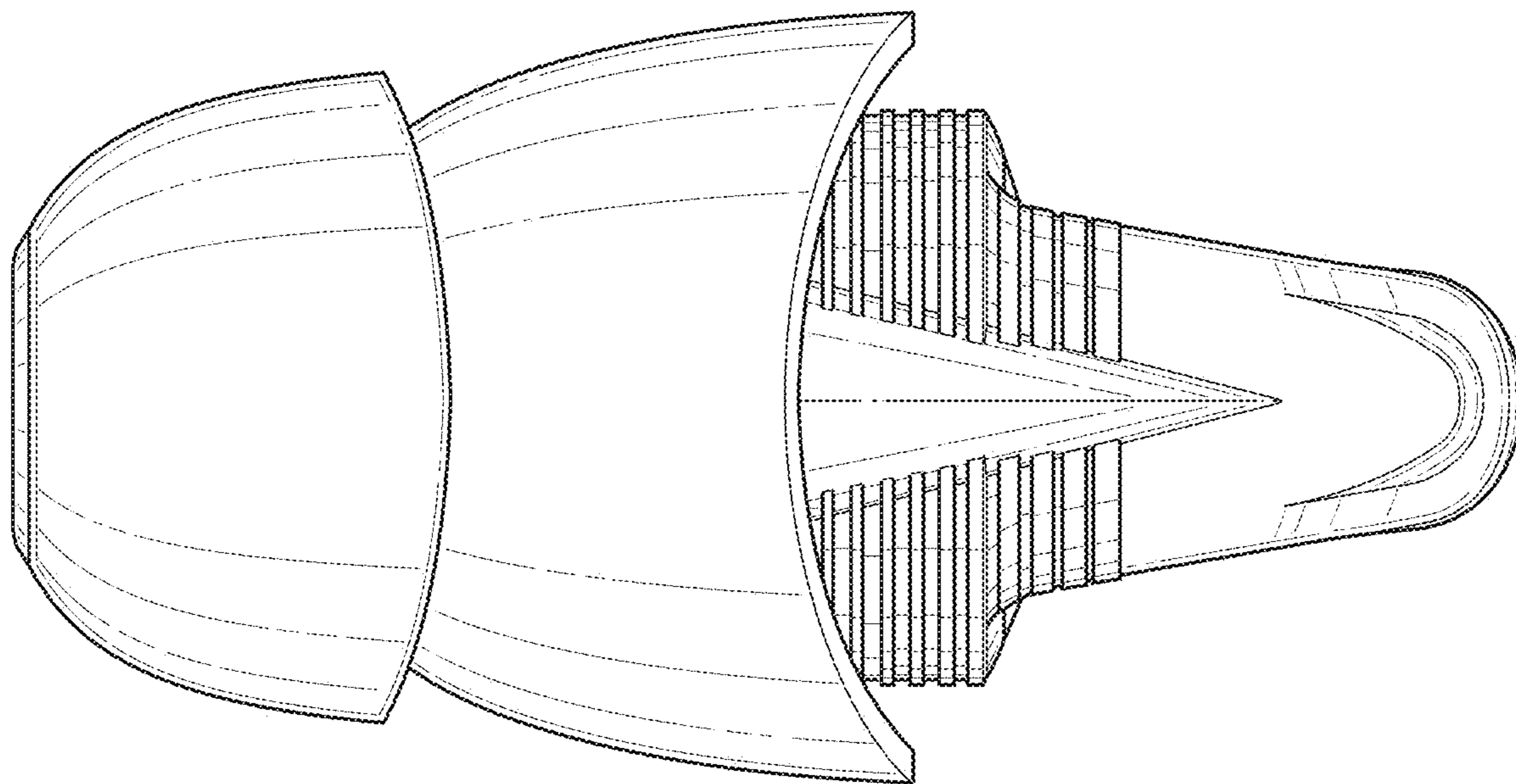


FIG. 4

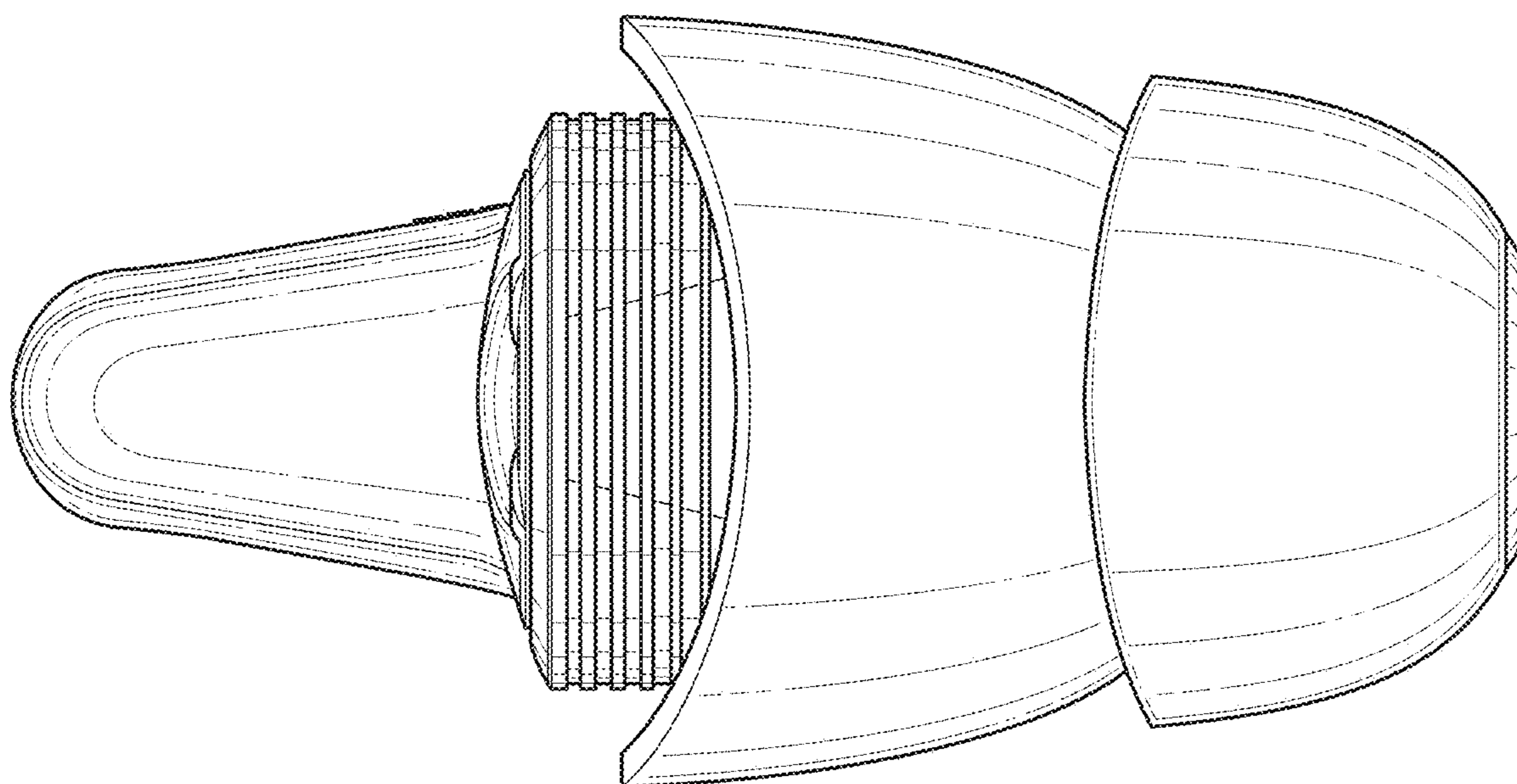


FIG. 5

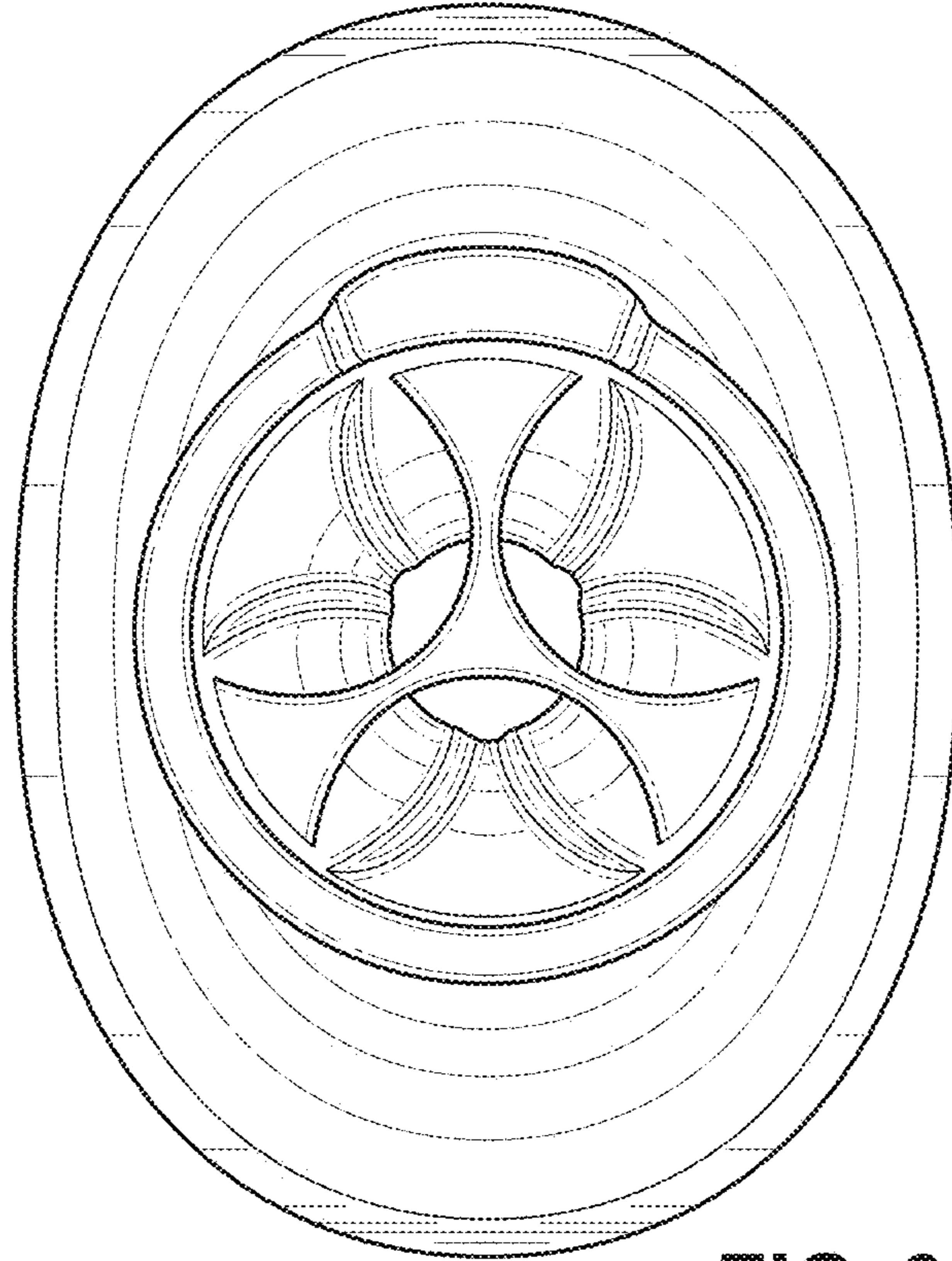


FIG. 6

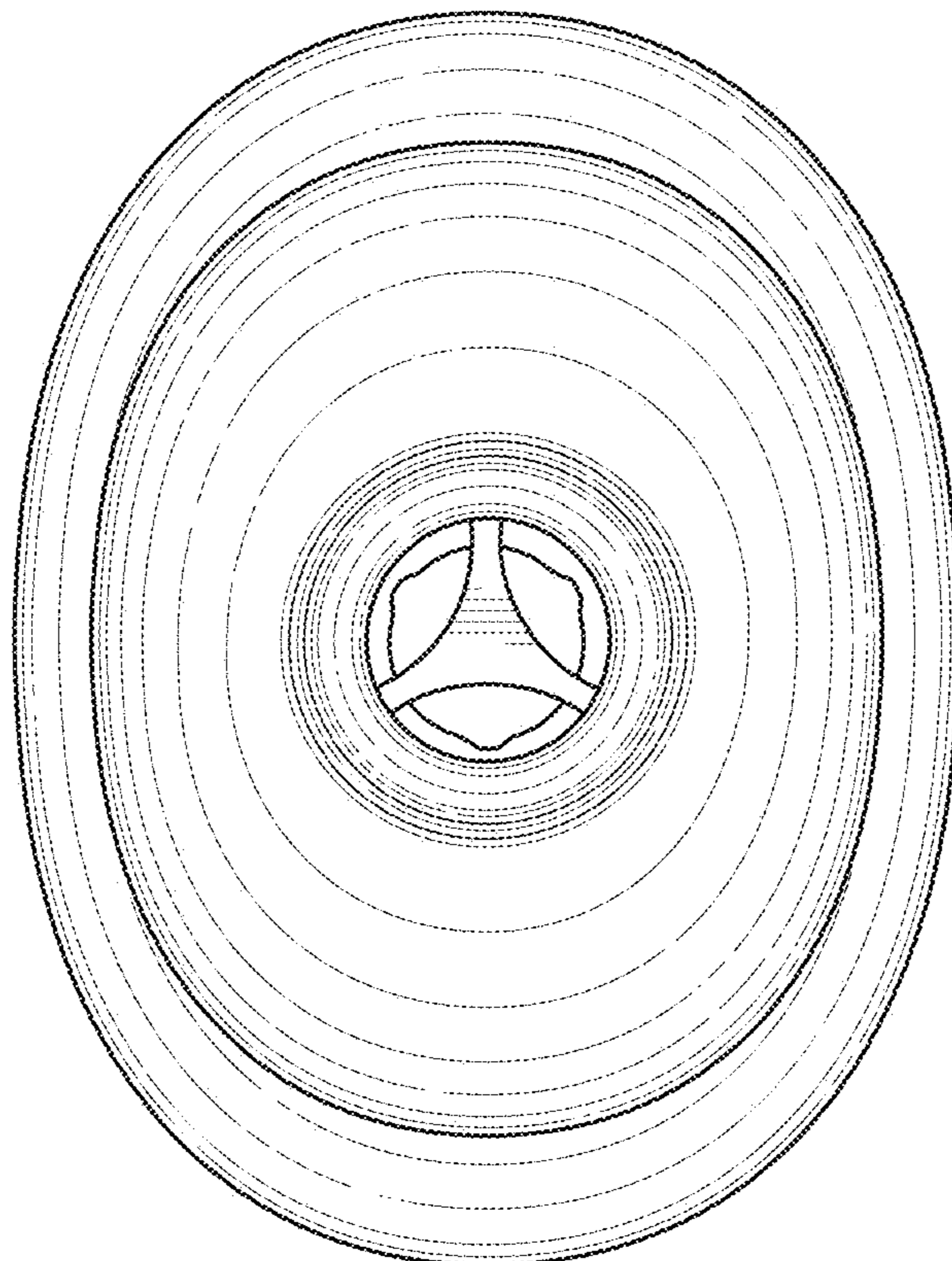


FIG. 7