



US00D938012S

(12) **United States Design Patent** (10) **Patent No.:** **US D938,012 S**  
**McRoberts et al.** (45) **Date of Patent:** **\*\* \*Dec. 7, 2021**

(54) **CEILING FAN BLADE**  
(71) Applicant: **HUNTER FAN COMPANY**,  
Memphis, TN (US)  
(72) Inventors: **Claire Bernice McRoberts**, La Jolla,  
CA (US); **Christine Holmes**, Memphis,  
TN (US)  
(73) Assignee: **Hunter Fan Company**, Memphis, TN  
(US)

D318,725 S 7/1991 Jaeger  
5,066,196 A 11/1991 Morofushi  
D322,475 S 12/1991 Markwardt et al.  
D328,785 S 8/1992 Markwardt  
D328,948 S 8/1992 Wang  
D334,055 S 3/1993 Oyama et al.  
D341,419 S 11/1993 Taylor, III  
D344,129 S 2/1994 Markwardt  
D346,858 S 5/1994 Lee  
(Continued)

(\*) Notice: This patent is subject to a terminal dis-  
claimer.  
(\*\*) Term: **15 Years**  
(21) Appl. No.: **29/724,812**  
(22) Filed: **Feb. 19, 2020**

**OTHER PUBLICATIONS**  
<http://www.minkagroup.net/minka-aire/products>, Item Specifica-  
tion for Roto F524-ABD 52" 3 Blade Ceiling Fan in Brushed  
Aluminum Finish with Silver Blades, accessed Feb. 4, 2016.  
(Continued)

*Primary Examiner* — Sharon S Oum  
(74) *Attorney, Agent, or Firm* — McGarry Bair PC

**Related U.S. Application Data**

(62) Division of application No. 29/611,952, filed on Jul.  
27, 2017, now Pat. No. Des. 879,941, which is a  
division of application No. 29/553,853, filed on Feb.  
5, 2016, now Pat. No. Des. 804,629.  
(51) **LOC (13) Cl.** ..... **23-03**  
(52) **U.S. Cl.**  
USPC ..... **D23/413**  
(58) **Field of Classification Search**  
USPC ..... D23/370, 377, 379, 385, 411, 413  
CPC ..... F04D 25/088; F04D 29/38; F04D 29/384;  
F04D 29/386; F21V 33/0096  
See application file for complete search history.

(57) **CLAIM**

The ornamental design for a ceiling fan blade, as shown and  
described.

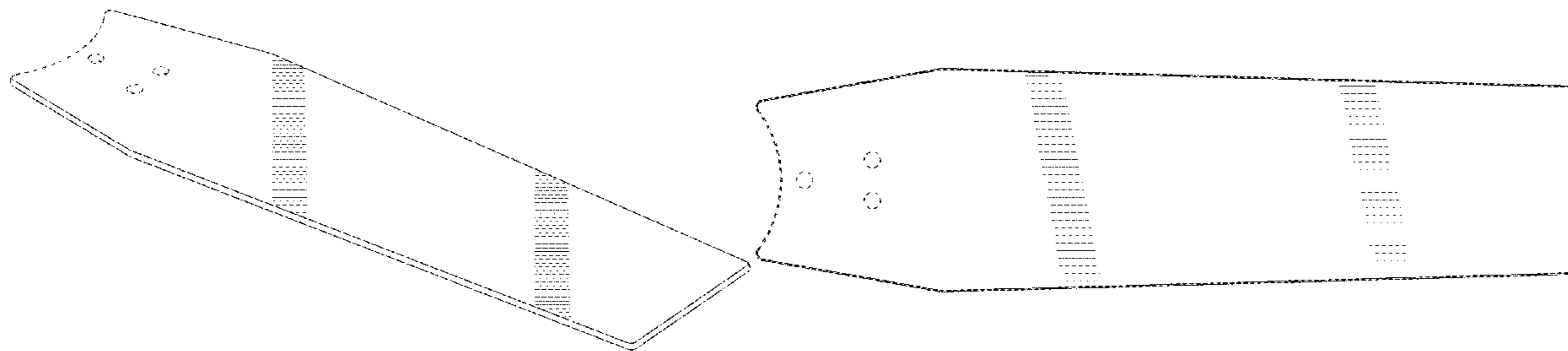
**DESCRIPTION**

This case is also related to U.S. Design patent application  
Ser. No. 29/618,428, filed Sep. 21, 2017, now issued as U.S.  
D826,395.  
FIG. 1 is a top perspective view of a ceiling fan blade,  
showing my new design;  
FIG. 2 is a bottom perspective view of the ceiling fan blade  
thereof;  
FIG. 3 is a top view of the ceiling fan blade thereof;  
FIG. 4 is a side view of the ceiling fan blade thereof;  
FIG. 5 is a rear view of the ceiling fan blade thereof; and,  
FIG. 6 is a front view of the ceiling fan blade thereof.  
Portions of the ceiling fan blade are shown in broken lines,  
and portions in broken lines form no part of the claimed  
design.

(56) **References Cited**  
U.S. PATENT DOCUMENTS

D246,796 S 12/1977 Laymon et al.  
4,073,598 A 2/1978 Mizutani et al.  
D279,822 S 7/1985 Wheeler  
D314,618 S 2/1991 Yen

**1 Claim, 4 Drawing Sheets**



(56)

References Cited

U.S. PATENT DOCUMENTS

D356,152 S 3/1995 Collmar  
 D377,975 S 2/1997 Young  
 D384,737 S 10/1997 Gee, II  
 D385,026 S 10/1997 Liu  
 D387,149 S 12/1997 Tsuji  
 D389,908 S 1/1998 Dolan  
 D396,530 S 7/1998 Tai  
 D408,515 S 4/1999 Evans  
 D421,113 S 2/2000 Zuege  
 D444,870 S 7/2001 Lee  
 D453,216 S 1/2002 Gajewski  
 D478,161 S 8/2003 Collmar  
 D523,545 S 6/2006 Young  
 D524,927 S 7/2006 Young  
 D532,510 S 11/2006 Pickett  
 7,210,910 B1 5/2007 Parker et al.  
 D599,473 S 9/2009 Klausung et al.  
 D599,474 S 9/2009 Klausung et al.  
 7,592,702 B2 9/2009 Lewis et al.  
 7,665,967 B1 2/2010 Parker et al.  
 D627,456 S 11/2010 Glasbrenner  
 D627,873 S 11/2010 Pan  
 D627,874 S 11/2010 Pan  
 D628,688 S 12/2010 Pan  
 D632,381 S 2/2011 Davenport et al.  
 D632,384 S 2/2011 Pan  
 D705,970 S 5/2014 Ertze  
 D707,336 S 6/2014 Pan  
 D715,917 S 10/2014 Hidalgo  
 D744,084 S 11/2015 Wang  
 D744,634 S 12/2015 Wang  
 D751,187 S 3/2016 Dolan  
 D801,510 S 10/2017 O'Connell et al.  
 D804,629 S 12/2017 McRoberts et al.  
 D804,630 S 12/2017 Holmes et al.  
 D804,641 S 12/2017 McRoberts et al.  
 D804,648 S 12/2017 McRoberts  
 D808,508 S 1/2018 Guthrie et al.  
 D809,118 S 1/2018 Guthrie et al.  
 D810,915 S \* 2/2018 Guthrie ..... D23/377  
 D831,356 S 10/2018 Ryan  
 D879,941 S \* 3/2020 McRoberts ..... D23/413  
 D880,682 S \* 4/2020 Norwood ..... D23/413  
 D902,377 S \* 11/2020 Norwood ..... D23/413  
 D903,851 S \* 12/2020 McRoberts ..... D23/413

OTHER PUBLICATIONS

[http://www.homedepot.com/p/Westinghouse-Industrial-56-in-Brushed-Nickel-Ceiling-Fan-7861400/202759709?MERCH=REC--PIPHorizontal1\\_rr\\_-205791277\\_-202759709\\_-N](http://www.homedepot.com/p/Westinghouse-Industrial-56-in-Brushed-Nickel-Ceiling-Fan-7861400/202759709?MERCH=REC--PIPHorizontal1_rr_-205791277_-202759709_-N), Westinghouse Industrial 56 in. Brushed Nickel Ceiling Fan, Model # 7861400, accessed Feb. 4, 2016.  
[http://www.cgglobal.com/frontend/cp\\_product.aspx?id=JiFIOQIrp7g=&catid%20=0FwOFC0udGs](http://www.cgglobal.com/frontend/cp_product.aspx?id=JiFIOQIrp7g=&catid%20=0FwOFC0udGs), Crompton Greaves Mountainbreeze Deco, accessed Feb. 4, 2016.  
<http://www.kingoffans.com/#/products/ceilingFans>, King of Fan Industrial Model # 92856, accessed Feb. 4, 2016.  
<http://www.homedepot.com/p/Hampton-Bay-Industrial-60-in-Brushed-Steel-Indoor-Energy-Star-Ceiling-Fan-52869/202670136>, Hampton Bay Model # 52869 Internet # 202670136 Store SKU # 434940 Industrial 60 in. Brushed Steel Indoor Energy Star Ceiling Fan, accessed Feb. 4, 2016.

[http://www.lowes.com/pd\\_698417-82939-40764\\_1z0vgaxZ1z140v4\\_?productId=999945836&pl=1](http://www.lowes.com/pd_698417-82939-40764_1z0vgaxZ1z140v4_?productId=999945836&pl=1), Harbor Breeze 48-in Brushed Nickel Downrod or Close Mount Indoor Ceiling Fan with Light Kit (3-Blade) Item #: 698417 | Model #: 40764, accessed Feb. 4, 2016.  
<http://www.minkagroup.net/minka-aire/products>, Minka Aire Java F753-BNW Java, accessed Feb. 4, 2016.  
<http://www.homedepot.com/p/Hampton-Bay-Kemper-II-52-in-Liquid-Nickel-Ceiling-Fan-AL663A-LN/203245520>, Hampton Bay Model # AL663A-LN Internet # 203245520 Kemper II 52 in. Liquid Nickel Ceiling Fan, accessed Feb. 4, 2016.  
<http://ceilingfans.emerson.com/shop/en/fan/fans-s-emerson-fans/fans-s-contemporary/loft-fan-p-cf765>, Emerson Loft SKU: CF765WW, accessed Feb. 4, 2016.  
<http://ceilingfans.emerson.com/shop/en/fan/fans-s-emerson-fans/fans-s-pro-series/56-industrial-fan-p-hf956>, Emerson 56" Industrial SKU: HF956BS, accessed Feb. 4, 2016.  
<http://www.montecarlofans.com/44073/60in-Empire---Brushed-Steel-8EER60BSD.html>, 60" Empire—Brushed Steel Product #: 8EER60BSD, accessed Feb. 4, 2016.  
<http://www.craftmade.com/Craftmade-VE58FB3-Flat-Black-Ceiling-Fan.HTM>, Craftmade Velocity 58" Ceiling Fan Blades Included in Flat Black Product #: VE58FB3 (647881105303-168162), accessed Feb. 4, 2016.  
<http://www.fanimation.com/products/index.php/catalogsearch/result/?q=ascension>, Ascension SKU: FP6717 Categories: Fans, Indoor, Damp Rated, accessed Feb. 4, 2016.  
<http://www.kichler.com/products/product/56-inch-industrial-fan-sbk-337015sbk.aspx>, Industrial Collection 56 Inch Industrial Fan SBK 337015SBK (Satin Black), accessed Feb. 4, 2016.  
<http://www.hunterpacific.com.au/typhoonM2.php>, Typhoon Mach 2, accessed Feb. 4, 2016.  
<http://www.kichler.com/products/product/48-in-pc-blade-for-arkwright-ap-370029ap.aspx>, 370029AP (Antique Pewter), accessed Feb. 4, 2016.  
<http://www.minkagroup.net/minka-aire/products>, F828-ORB Symbio SelectDescription Details Manual & Specs 56" Ceiling Fan in Brushed Nickel Finish with Medium Maple Blades with Tea Stain Glass, accessed Feb. 4, 2016.  
<http://www.minkagroup.net/minka-aire/products>, F531-L-BN Flyte® Select Description Details Manual & Specs 56" 3 Blades in Brushed Nickel Finish w/Birdseye Maple Blades w/ White Opal Glass, accessed Feb. 4, 2016.  
<http://www.modernfan.com/products/torsion.html>, Cooly by design, Torsion, accessed Feb. 4, 2016.  
<http://www.hunterfan.com/Ceiling-Fans/Stockbridge?ModelNumber=55042>, Stockbridge®—70" Ceiling Fan 55042 New Bronze Finish 5 Walnut / Medium Oak Reversible Plywood blades included, accessed Feb. 4, 2016.  
[http://www.amazon.com/dp/B002EVPNWI/ref=psdc\\_404433011\\_t3\\_B0045CVL6G](http://www.amazon.com/dp/B002EVPNWI/ref=psdc_404433011_t3_B0045CVL6G), Canarm LTD Calibre BPT 48 Frosted Glass 1 Bulb Light Kit, date first available Jul. 10, 2009, amazon.com, site visited Jun. 1, 2017, Copyright © 1994-2017, Available from Internet, <[https://www.amazon.com/dp/B002EVPNWI/ref=psdc\\_404433011\\_t3\\_B0045CVL6G](https://www.amazon.com/dp/B002EVPNWI/ref=psdc_404433011_t3_B0045CVL6G)>.  
[http://www.amazon.com/Fanimation-FP4640OB-Location-Ceiling-Rubbed/dp/B004SE1XSW/ref=sr\\_1\\_3?ie=UTF8&qid=1496350008&sr=8-3&keywords=fanimation+zonix](http://www.amazon.com/Fanimation-FP4640OB-Location-Ceiling-Rubbed/dp/B004SE1XSW/ref=sr_1_3?ie=UTF8&qid=1496350008&sr=8-3&keywords=fanimation+zonix), Fanimation FP4640OB Zonix Wet Location Ceiling Fan, date first available Feb. 15, 2010, amazon.com, site visited Jun. 1, 2017, Copyright © 1994-2017, Available from Internet, <[https://www.amazon.com/Fanimation-FP4640OB-Location-Ceiling-Rubbed/dp/B004SE1XSW/ref=sr\\_1\\_3?ie=UTF8&qid=1496350008&sr=8-3&keywords=fanimation+zonix](https://www.amazon.com/Fanimation-FP4640OB-Location-Ceiling-Rubbed/dp/B004SE1XSW/ref=sr_1_3?ie=UTF8&qid=1496350008&sr=8-3&keywords=fanimation+zonix)>.  
<http://www.bigassfans.com/products/essence/>, Bigass Fans, Gearless Direct-Drive Motor for Silent Operation, accessed Feb. 4, 2016.

\* cited by examiner



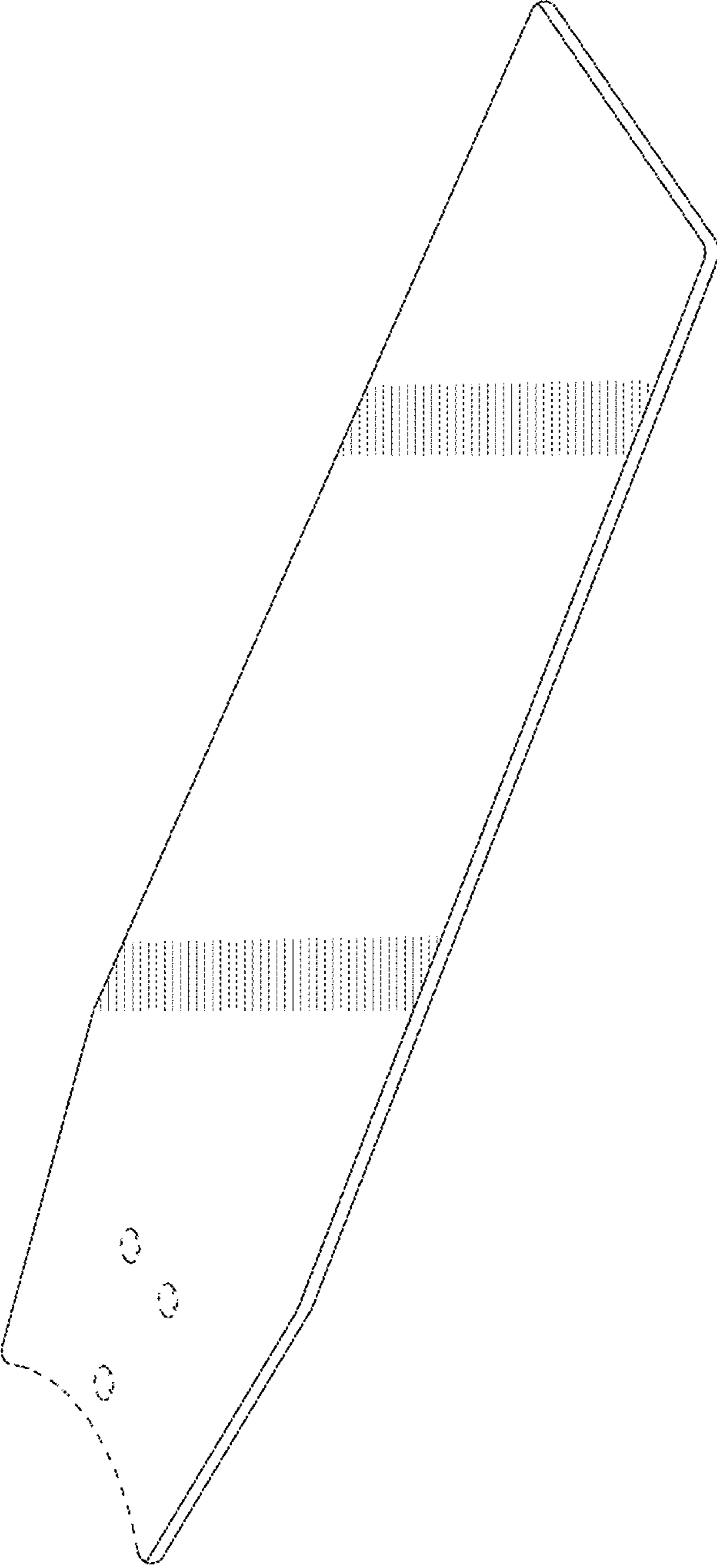


FIG. 1

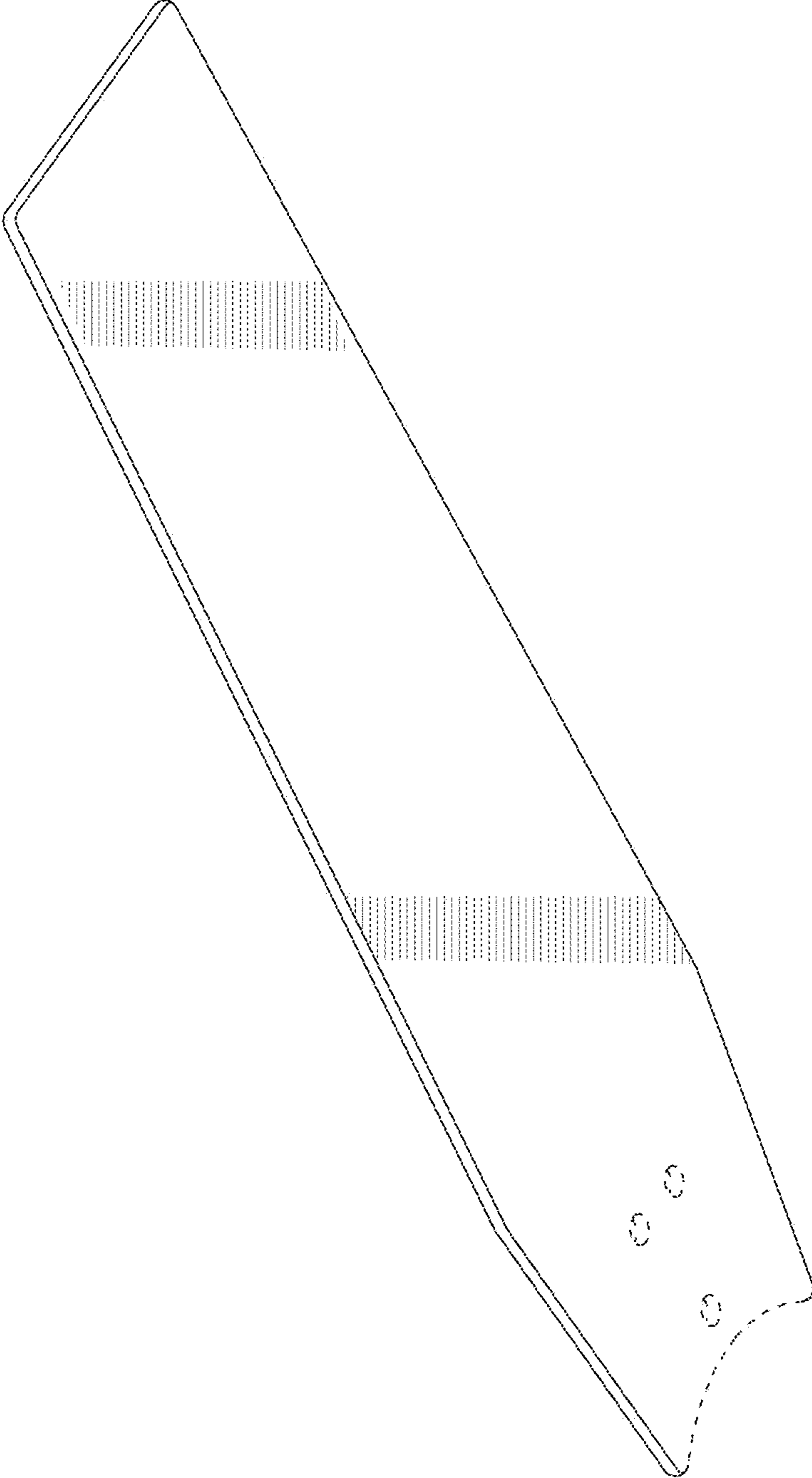
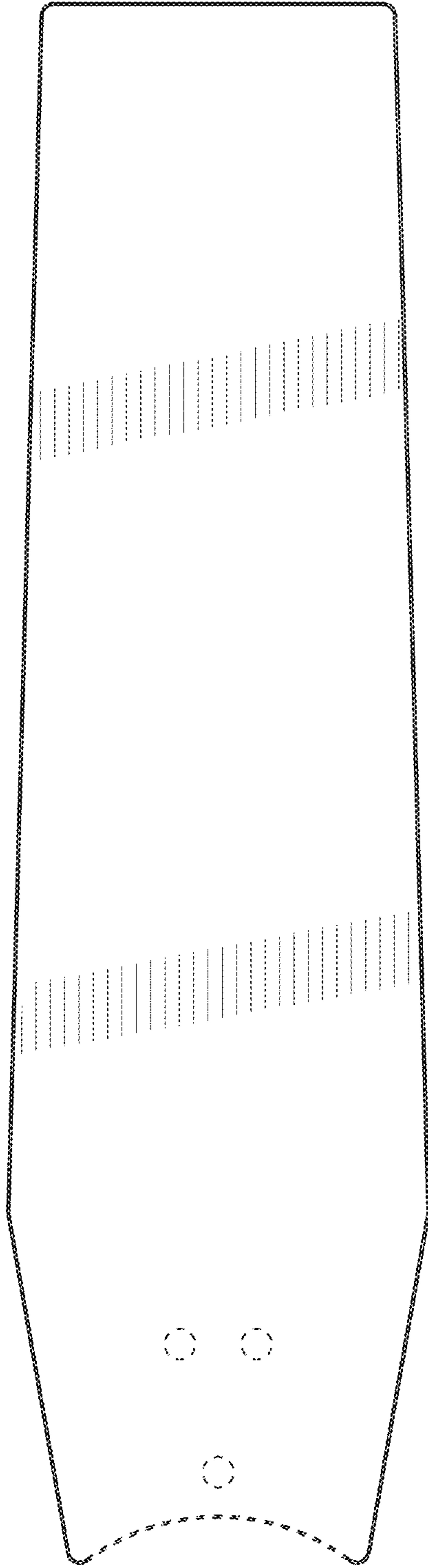


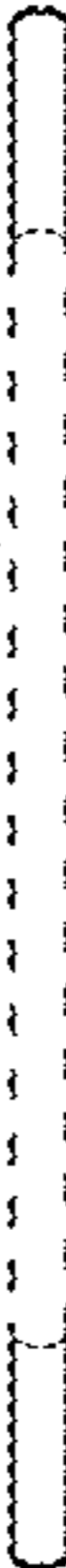
FIG. 2



**FIG. 3**



**FIG. 4**



**FIG. 5**



**FIG. 6**