



US00D938011S

(12) **United States Design Patent** (10) **Patent No.:** **US D938,011 S**
Robinson et al. (45) **Date of Patent:** **** Dec. 7, 2021**

(54) **FAN BLADE**

FOREIGN PATENT DOCUMENTS

(71) Applicant: **Regal Beloit America, Inc.**, Beloit, WI (US)

CN 201606274 U 10/2010
CN 202900765 U 4/2013

(Continued)

(72) Inventors: **Jeevan Gnana Robinson**, Fort Wayne, IN (US); **Neha Kumari**, North Sidney, OH (US); **Yunpeng Yang**, Fort Wayne, IN (US)

OTHER PUBLICATIONS

Extended European Search Report for Patent Application EP 20212427.7 dated Apr. 30, 2021; 8 pp.

(Continued)

(73) Assignee: **REGAL BELOIT AMERICA, INC.**, Beloit, WI (US)

Primary Examiner — Sharon S Oum

(**) Term: **15 Years**

(74) *Attorney, Agent, or Firm* — Armstrong Teasdale LLP

(21) Appl. No.: **29/716,494**

(22) Filed: **Dec. 10, 2019**

(57) **CLAIM**

(51) **LOC (13) Cl.** **23-03**

We claim the ornamental design for a fan blade, as shown and described.

(52) **U.S. Cl.**

USPC **D23/413**; D23/411

(58) **Field of Classification Search**

USPC D23/328, 332, 333, 370–383, 385, D23/335–337, 341, 351, 352, 354, D23/411–414, 362, 364

CPC .. F04D 25/084; F04D 25/086; F04D 25/0673; F04D 29/646; F04D 29/324; F04D 29/38

See application file for complete search history.

DESCRIPTION

FIG. 1 is a perspective view of a fan blade showing the new design.

FIG. 2 is a top view thereof.

FIG. 3 is a bottom view thereof.

FIG. 4 is a front view thereof.

FIG. 5 is a rear cross-sectional view thereof taken along line “5-5” of FIG. 2.

FIG. 6 is a rear view of FIG. 1.

FIG. 7 is a left side view thereof.

FIG. 8 is a right side view thereof.

FIG. 9 is a cross-sectional view thereof taken along line “9-9” of FIG. 2; and,

FIG. 10 is a cross-sectional view thereof taken along line “10-10” of FIG. 2.

Broken lines illustrate portions of the fan blade and environmental structure. None of the broken lines form part of the claimed design.

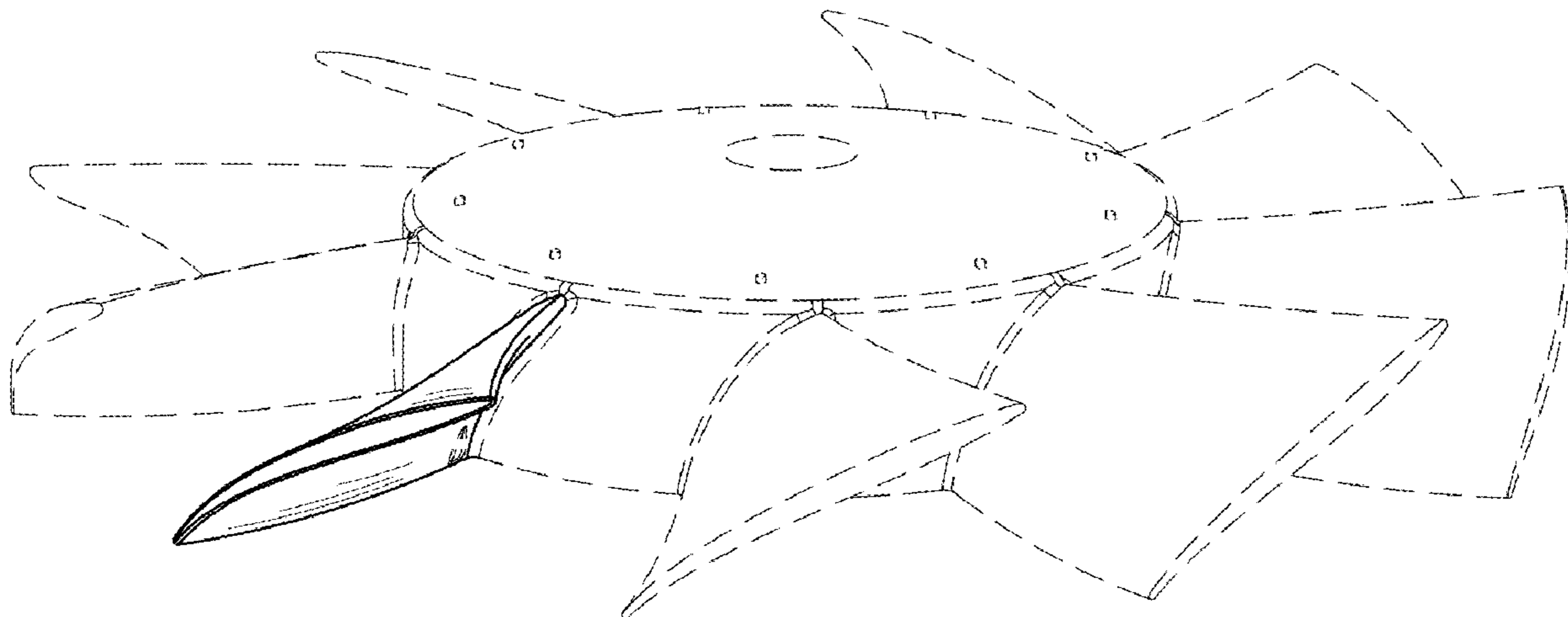
(56) **References Cited**

U.S. PATENT DOCUMENTS

D39,419 S	7/1908	Snyder
2,115,527 A	4/1938	Hueglin
D131,669 S	3/1942	Kisling
D176,891 S	2/1956	Theisen
D231,355 S	4/1974	Papst
3,937,189 A	2/1976	Beck
4,523,434 A	6/1985	Yoo
D324,201 S	2/1992	Hannon et al.
D324,364 S	3/1992	Hannon et al.
5,326,225 A	7/1994	Gallivan et al.
5,423,660 A	6/1995	Sortor

(Continued)

1 Claim, 9 Drawing Sheets



(56)

References Cited

U.S. PATENT DOCUMENTS

5,466,120 A 11/1995 Takeuchi et al.
D368,772 S * 4/1996 Liao D23/379
6,118,198 A 9/2000 Hollenbeck
6,139,265 A 10/2000 Alizadeh
6,287,078 B1 9/2001 Min et al.
D453,960 S 2/2002 Shelby et al.
D454,947 S 3/2002 Wagner
6,398,492 B1 6/2002 Cho et al.
6,435,817 B1 8/2002 Hollenbeck et al.
D486,905 S * 2/2004 Wang D23/379
D507,343 S * 7/2005 Chiu D23/379
D507,641 S * 7/2005 Chiu D23/379
D509,583 S 9/2005 Graham
D509,584 S * 9/2005 Li D23/413
D513,799 S 1/2006 Li et al.
6,987,336 B2 1/2006 Streng et al.
D515,688 S * 2/2006 Li D23/379
7,025,570 B2 4/2006 Jung et al.
7,156,615 B2 1/2007 Horski et al.
7,220,102 B2 5/2007 Cho et al.
D558,324 S * 12/2007 Hong D23/379
D559,968 S * 1/2008 Lee D23/379
D560,789 S 1/2008 Lee et al.
D561,888 S * 2/2008 Yang D23/379
D564,653 S 3/2008 Iwase et al.
D566,829 S 4/2008 Parker et al.
D570,996 S 6/2008 Harman et al.
D570,999 S * 6/2008 Harman D23/413
D571,000 S * 6/2008 Bei D23/413
D585,130 S * 1/2009 Harman D23/413
D600,340 S * 9/2009 Parker D23/413
7,594,800 B2 9/2009 Teipen
D620,096 S 7/2010 Underwood
D626,643 S 11/2010 Situ et al.
D632,779 S 2/2011 Spaggiari
D645,134 S * 9/2011 Lee D23/411
D654,997 S 2/2012 Spaggiari
8,128,372 B2 3/2012 Best
8,167,564 B2 5/2012 Streng et al.
8,197,204 B2 6/2012 Aschermann et al.
D683,840 S 6/2013 Rasmussen
D692,119 S 10/2013 Rasmussen
D704,323 S * 5/2014 Rasmussen D23/379
D715,904 S 10/2014 Tate et al.
D725,257 S * 3/2015 Huang D23/379
D726,897 S 4/2015 Hatz
D727,490 S 4/2015 Hatz
D750,211 S 2/2016 Arai et al.
D755,363 S * 5/2016 Rasmussen D23/379
D755,945 S 5/2016 Arai et al.
D755,946 S 5/2016 Arai et al.
D755,947 S 5/2016 Arai et al.
9,494,162 B2 11/2016 Haaf et al.
D773,632 S 12/2016 Panyasahabade
9,651,054 B2 * 5/2017 Chang F04D 29/601
9,803,649 B2 10/2017 Ragg et al.
D804,647 S 12/2017 Chang et al.
D805,176 S 12/2017 Avedon
D806,225 S * 12/2017 Chang D23/379
D812,732 S 3/2018 Murakami et al.
D829,878 S 10/2018 Sallander
10,260,508 B2 * 4/2019 Chang F04D 33/00
D854,143 S * 7/2019 Yu D23/413
D858,737 S 9/2019 Tadokoro et al.
10,428,830 B2 * 10/2019 Lee F04D 29/384
D886,275 S 6/2020 Avedon
D898,182 S 10/2020 Zhang

D910,834 S * 2/2021 Wang D23/413
2004/0212262 A1 10/2004 Chiu et al.
2005/0074336 A1 4/2005 Li et al.
2005/0186070 A1 8/2005 Zeng et al.
2005/0232765 A1 10/2005 Watanabe et al.
2005/0271529 A1 12/2005 Stommel et al.
2006/0073018 A1 4/2006 Girod et al.
2007/0020103 A1 1/2007 Spaggiari
2007/0048138 A1 3/2007 Horski et al.
2007/0274821 A1 11/2007 Yoshida
2009/0155080 A1 * 6/2009 Yu F04D 29/646
416/212 R
2009/0191055 A1 7/2009 Li et al.
2011/0091315 A1 * 4/2011 Chang F04D 25/0613
415/182.1
2012/0057966 A1 3/2012 Chen et al.
2012/0114498 A1 5/2012 Hsieh et al.
2014/0064973 A1 3/2014 Ren et al.
2017/0051758 A1 2/2017 Sun
2017/0067486 A1 3/2017 Cho et al.
2017/0211589 A1 7/2017 Murakami et al.
2018/0112675 A1 4/2018 Neff et al.
2018/0142708 A1 5/2018 Horng et al.
2018/0245602 A1 8/2018 Stevens
2018/0372113 A1 12/2018 Tyner et al.
2019/0093669 A1 * 3/2019 Inouchi F04D 29/545
2019/0145429 A1 5/2019 Ishida
2019/0162201 A1 5/2019 Huang et al.
2019/0195232 A1 * 6/2019 Sakurada F04D 29/522
2019/0264708 A1 * 8/2019 Chang F04D 25/0613
2019/0389345 A1 12/2019 Kim
2020/0116159 A1 * 4/2020 Yang F04D 29/384
2020/0158129 A1 * 5/2020 Iwata F04D 29/386

FOREIGN PATENT DOCUMENTS

CN 205047519 U 2/2016
CN 208073869 U 11/2018
CN 209083612 U 7/2019
DE 4215504 A1 11/1993
EP 1732375 B1 8/2009
EP 2211444 A2 7/2010
EP 1897209 B1 8/2011
EP 2691654 A1 2/2014
EP 2696480 A2 2/2014
EP 2771581 A1 9/2014
EP 2691655 B1 5/2016
EP 3172447 A1 5/2017
EP 3274589 A1 1/2018
EP 3029336 B1 2/2018
EP 3498506 A1 6/2019
JP H03141900 A 6/1991
JP H09317686 A 12/1997
JP 2015108316 A 6/2015
WO 2011038884 A1 4/2011
WO 2013110516 A1 8/2013
WO 2015000676 A1 1/2015
WO 2015075103 A1 5/2015
WO 2015124487 A2 8/2015

OTHER PUBLICATIONS

Partial European Search Report for Application EP20210474.1 dated Apr. 21, 2021; 12 pp.
EPO Extended European Search Report for EP Patent Application 20212429.3 dated May 4, 2021; 8 pp.
EPO Extended European Search Report for EP Patent Application 20210474.1 dated Jun. 29, 2021; 11 pp.

* cited by examiner

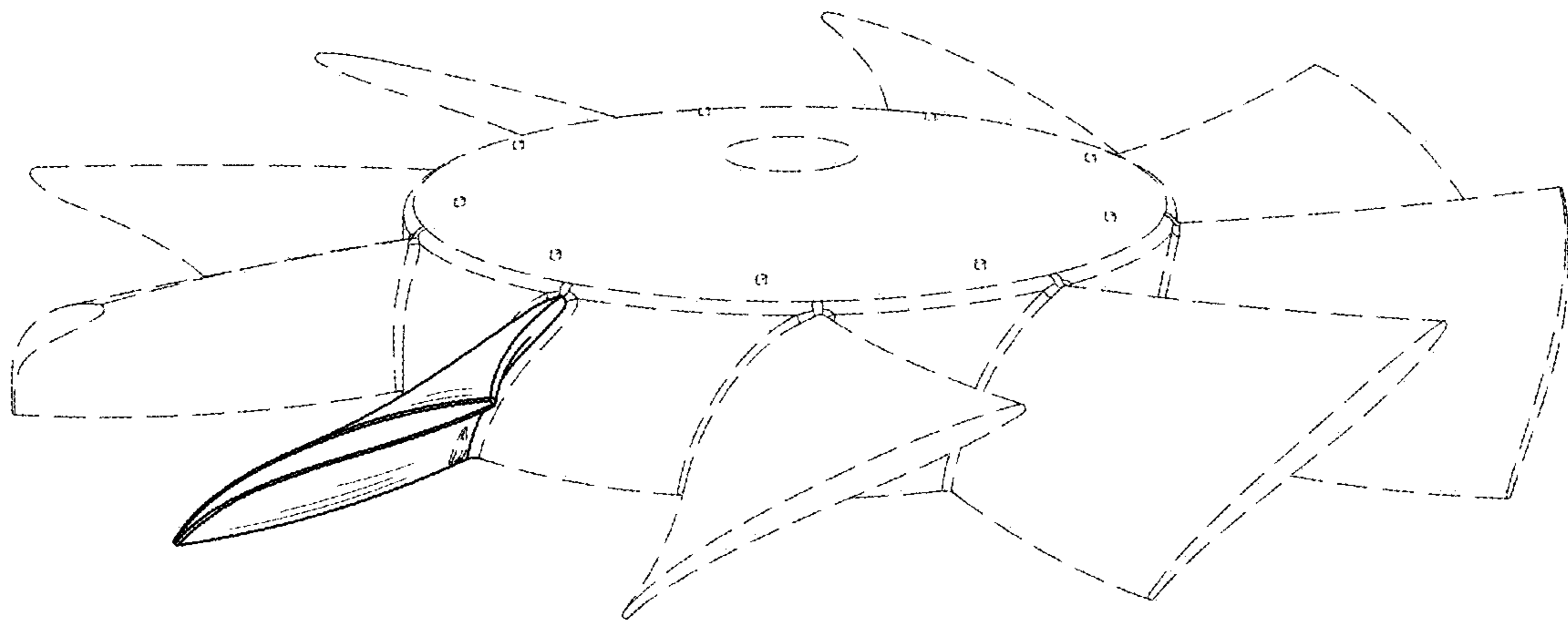


FIG. 1

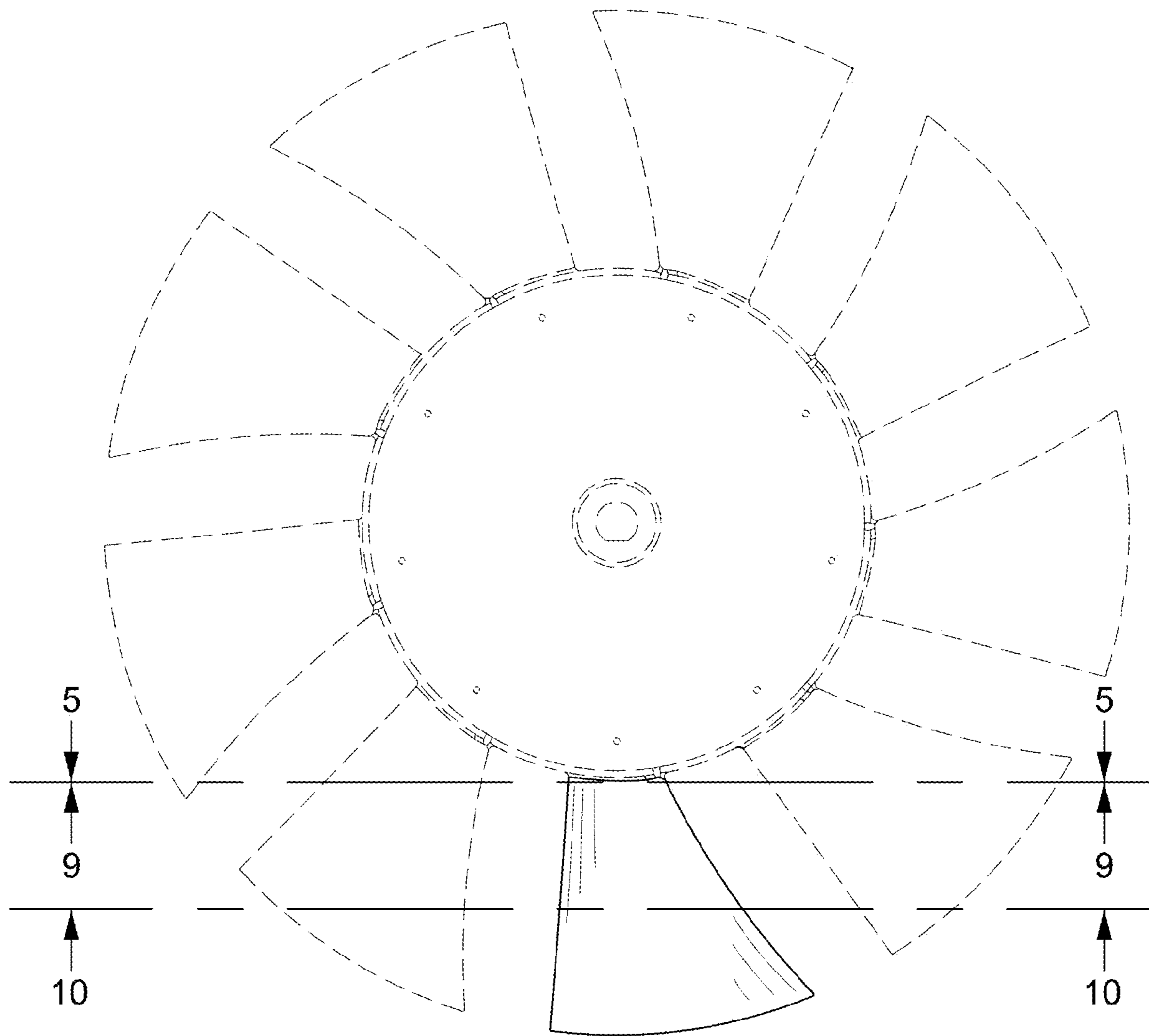


FIG. 2

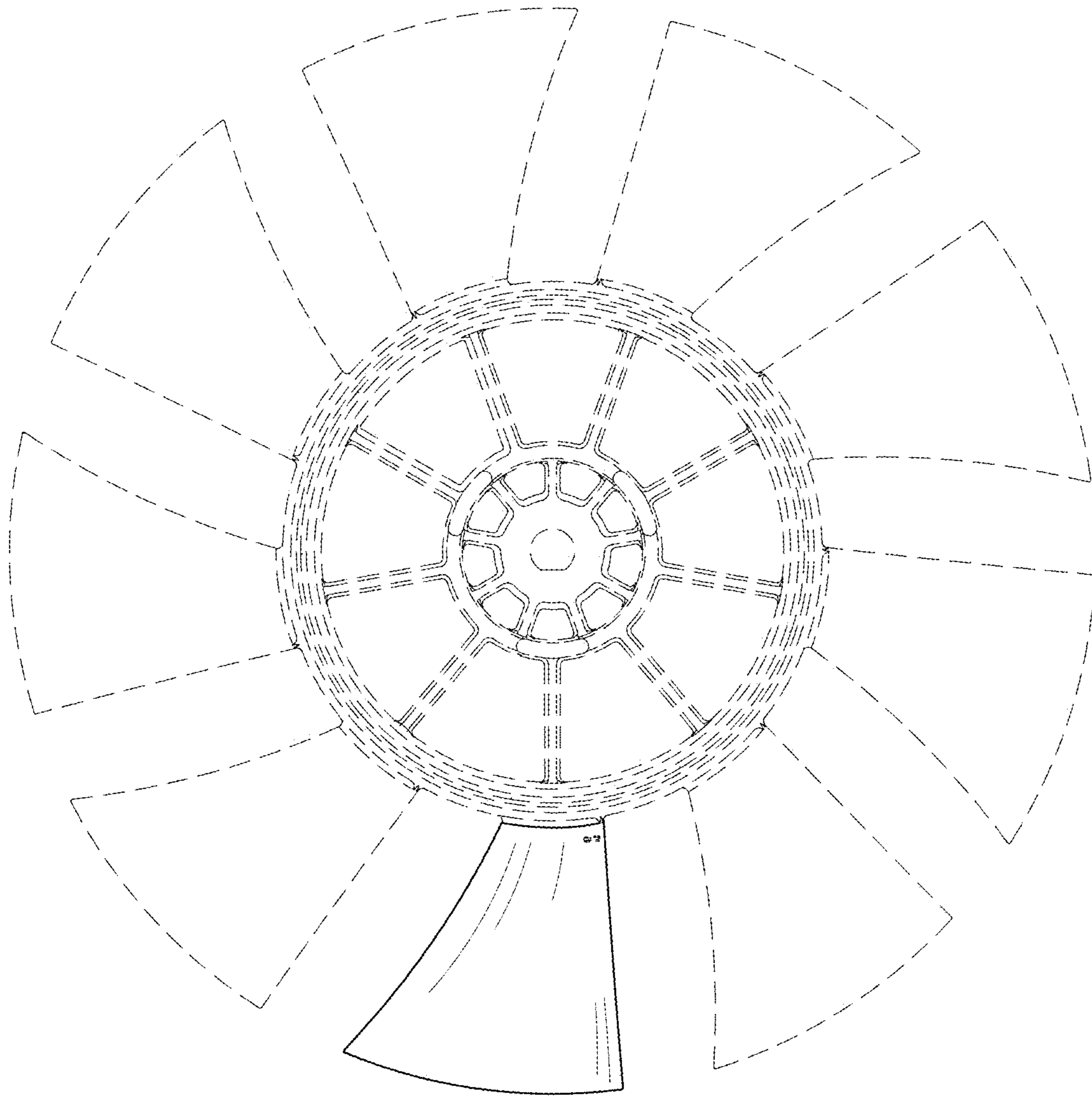


FIG. 3

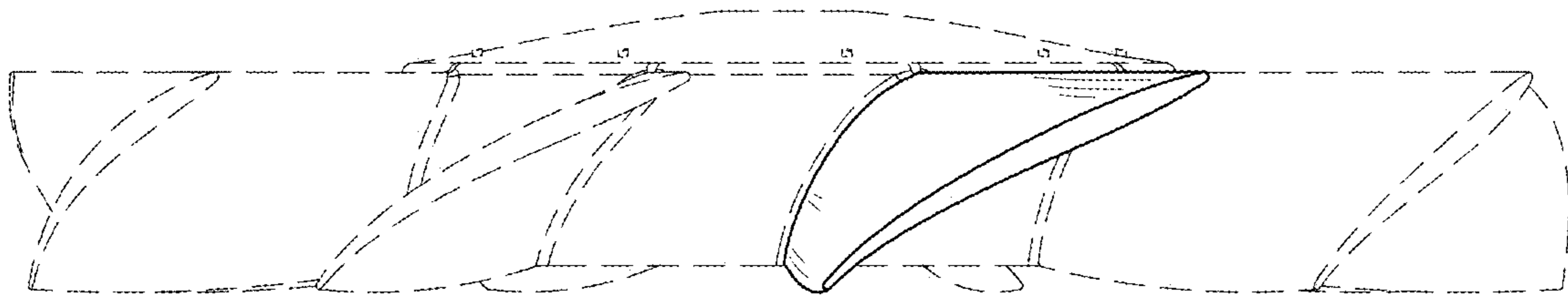


FIG. 4

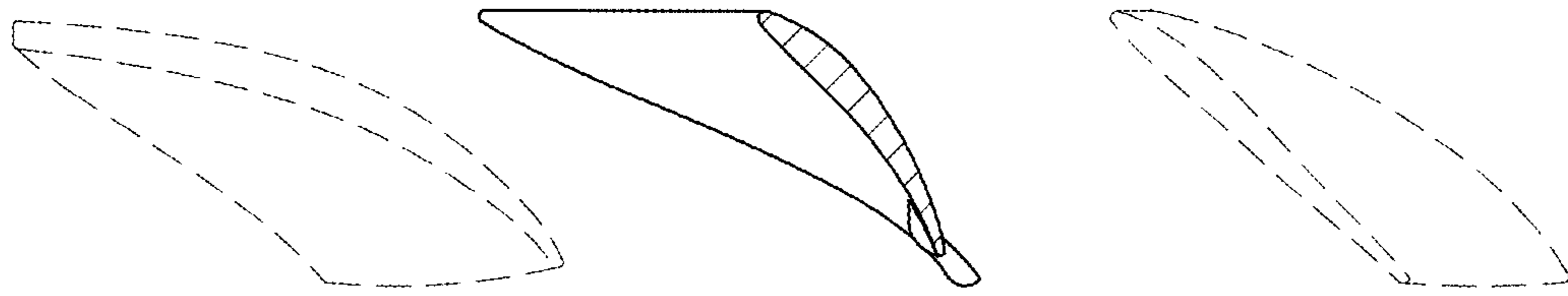


FIG. 5

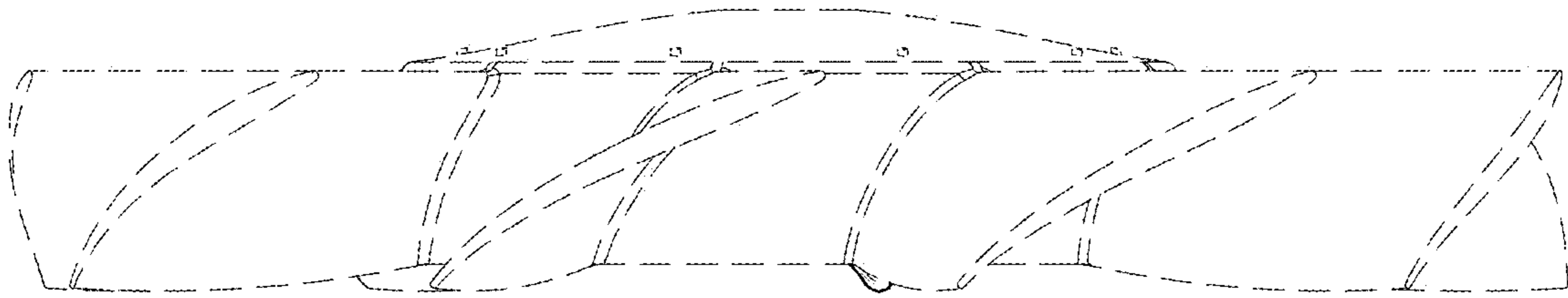


FIG. 6

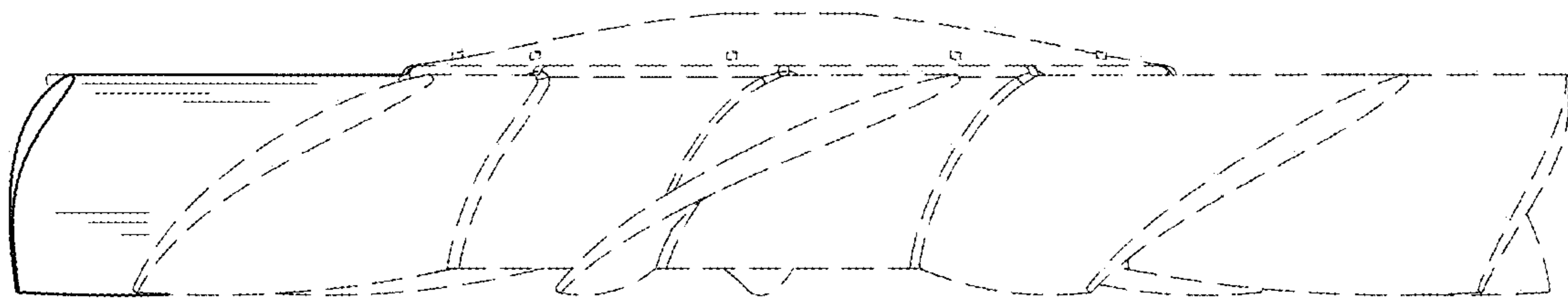


FIG. 7

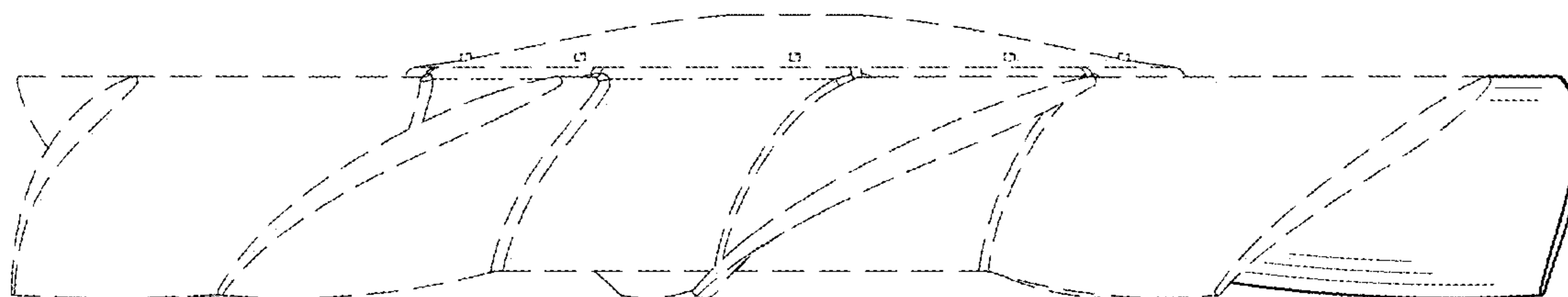


FIG. 8

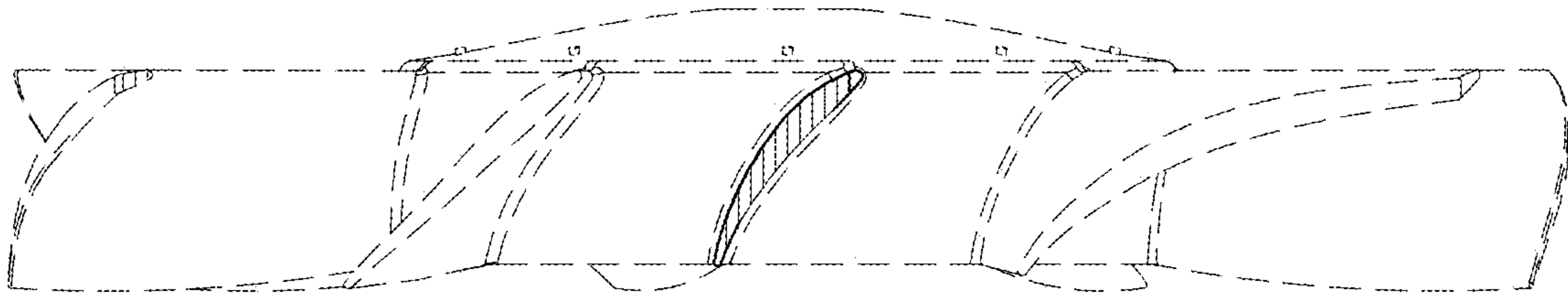


FIG. 9

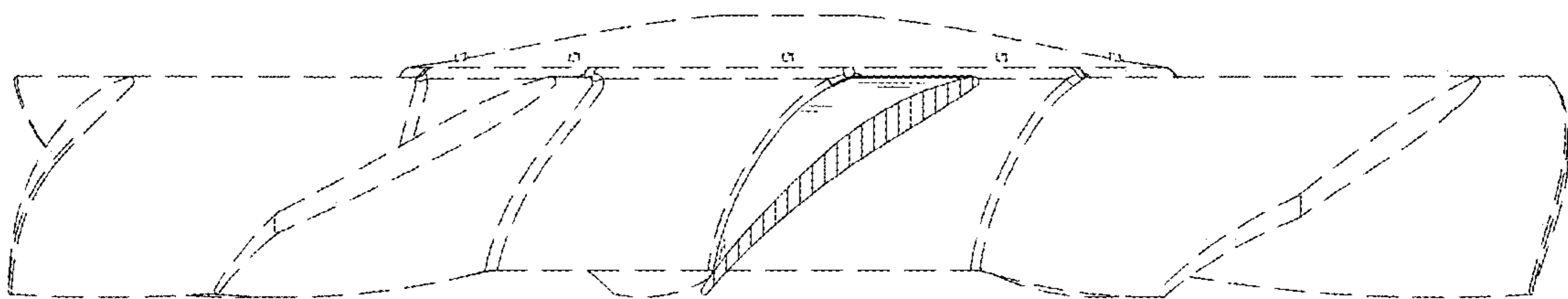


FIG. 10