



US00D938007S

(12) **United States Design Patent**
Biancuzzo

(10) **Patent No.:** **US D938,007 S**

(45) **Date of Patent:** **** Dec. 7, 2021**

(54) **CEILING FAN**

(71) Applicant: **AIR COOL INDUSTRIAL CO., LTD.**, Taichung (TW)

(72) Inventor: **Francisco Biancuzzo**, Davie, FL (US)

(73) Assignee: **AIR COOL INDUSTRIAL CO., LTD.**, Taichung (TW)

(**) Term: **15 Years**

(21) Appl. No.: **29/713,137**

(22) Filed: **Nov. 14, 2019**

(51) **LOC (13) Cl.** **23-04**

(52) **U.S. Cl.**
USPC **D23/377**

(58) **Field of Classification Search**
USPC D23/370, 377, 379, 385, 411, 413;
D26/59
CPC F04D 25/088; F04D 29/38; F04D 29/384;
F04D 29/386; F21V 33/0096
See application file for complete search history.

(56) **References Cited**

U.S. PATENT DOCUMENTS

D453,216 S *	1/2002	Gajewski	D23/377
D460,549 S *	7/2002	Sonneman	D23/411
D561,374 S *	2/2008	Hartmann, Jr.	D26/74
D627,874 S *	11/2010	Pan	D23/411
D628,688 S *	12/2010	Pan	D23/377
D662,648 S *	6/2012	Whiting	D26/89

D747,452 S *	1/2016	Gajewski	D23/377
D771,794 S *	11/2016	Wang	D23/411
D794,768 S *	8/2017	Wang	D23/377
D795,411 S *	8/2017	Wang	D23/377
D810,920 S *	2/2018	Haggar	D23/377
D834,734 S *	11/2018	Guthrie	D26/59
D838,356 S *	1/2019	Haggar	D23/411
D855,789 S *	8/2019	Haggar	D23/377
D874,634 S *	2/2020	Haggar	D23/377

* cited by examiner

Primary Examiner — Sharon S Oum

(74) *Attorney, Agent, or Firm* — Pai Patent & Trademark Law Firm; Chao-Chang David Pai

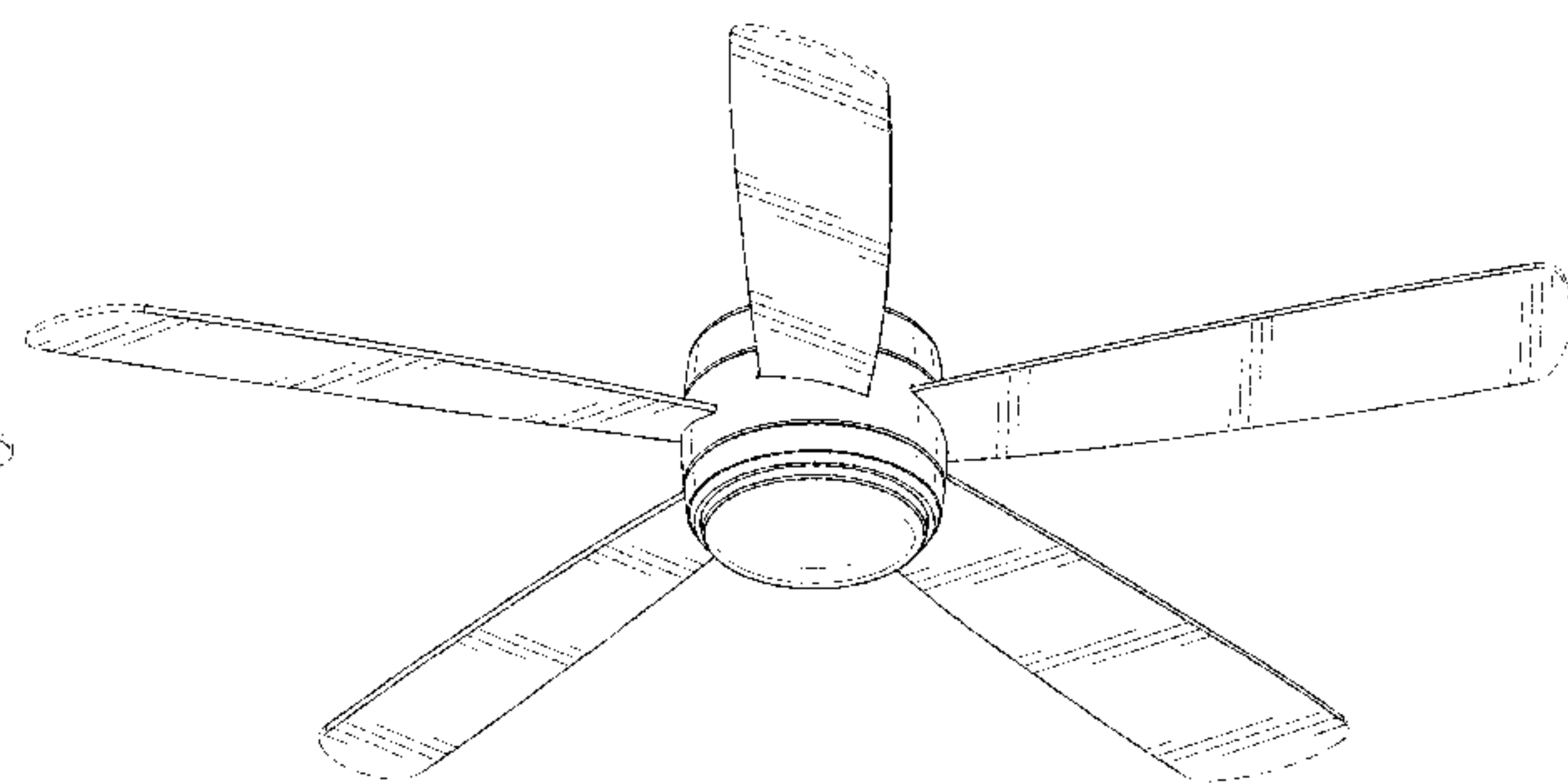
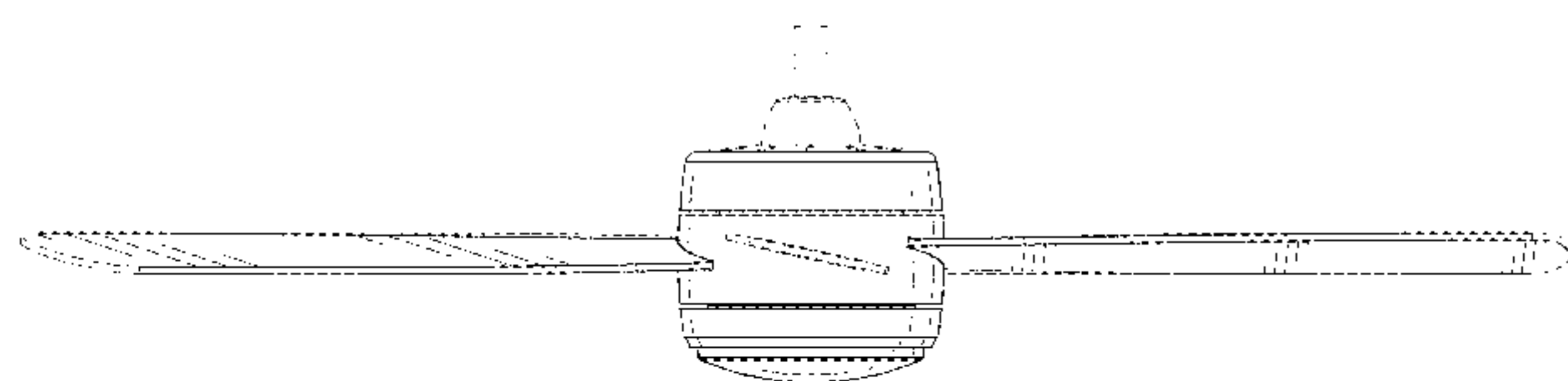
(57) **CLAIM**

The ornamental design for a ceiling fan, as shown and described.

DESCRIPTION

FIG. 1 is a front top perspective view of a ceiling fan showing my new design;
FIG. 2 is a front elevational view thereof;
FIG. 3 is a rear elevational view thereof;
FIG. 4 is a left side elevational view thereof;
FIG. 5 is a right side elevational view thereof;
FIG. 6 is a top plan view thereof;
FIG. 7 is a bottom plan view thereof; and,
FIG. 8 is a front bottom perspective view thereof.
The broken lines illustrate portions of the ceiling fan and form no part of the claimed design.

1 Claim, 6 Drawing Sheets



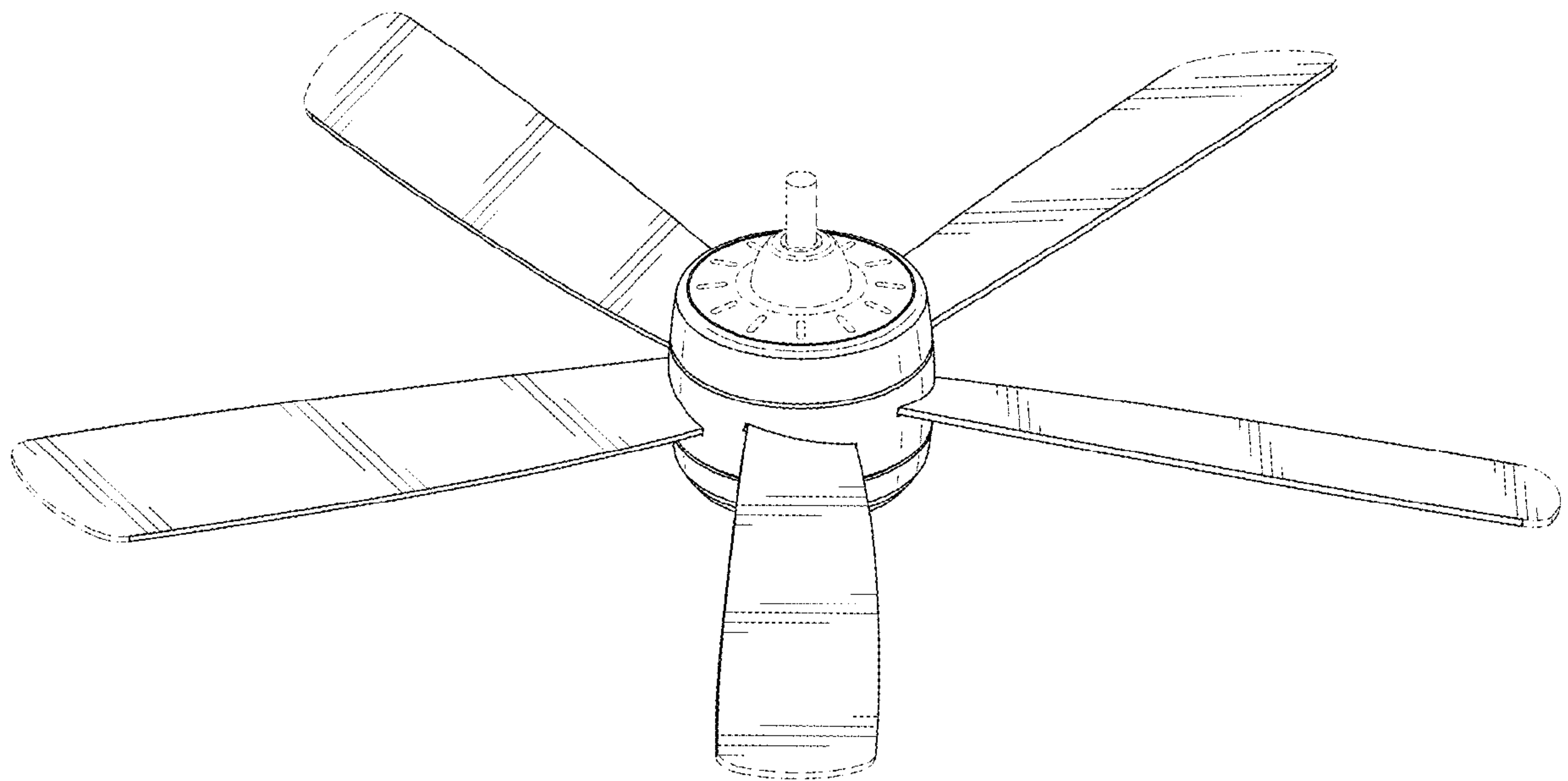


FIG. 1

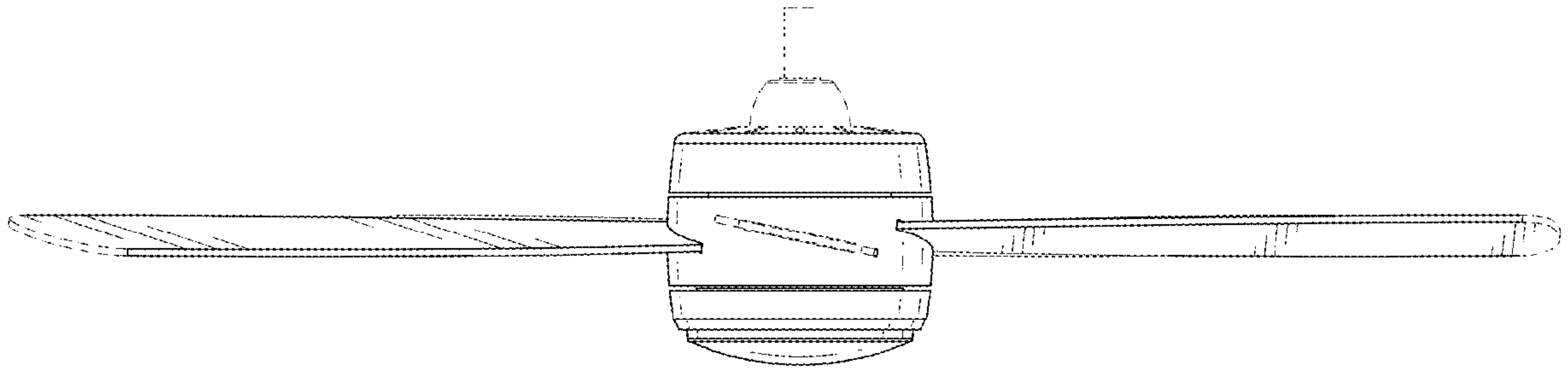


FIG. 2

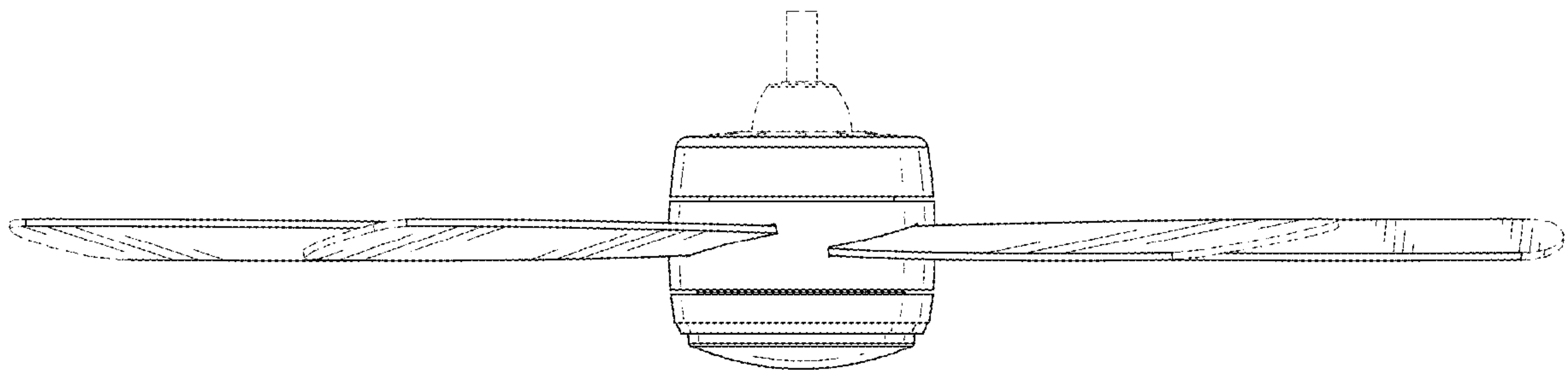


FIG. 3

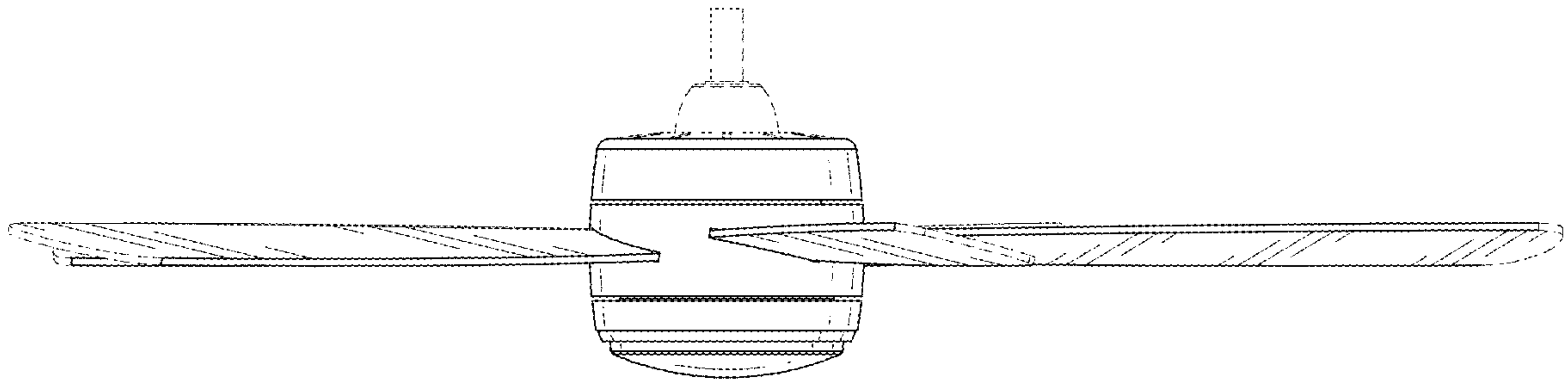


FIG. 4

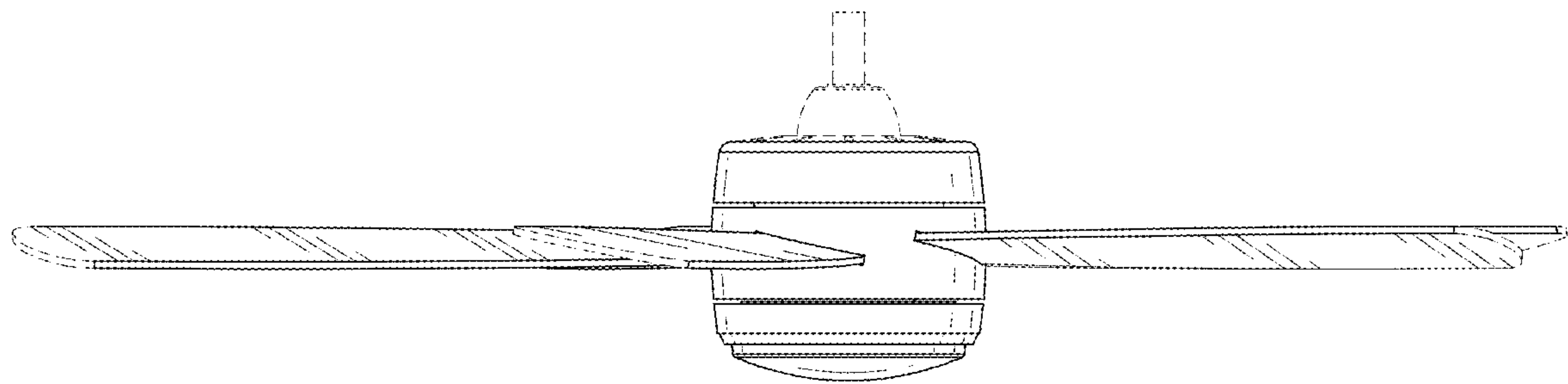


FIG. 5

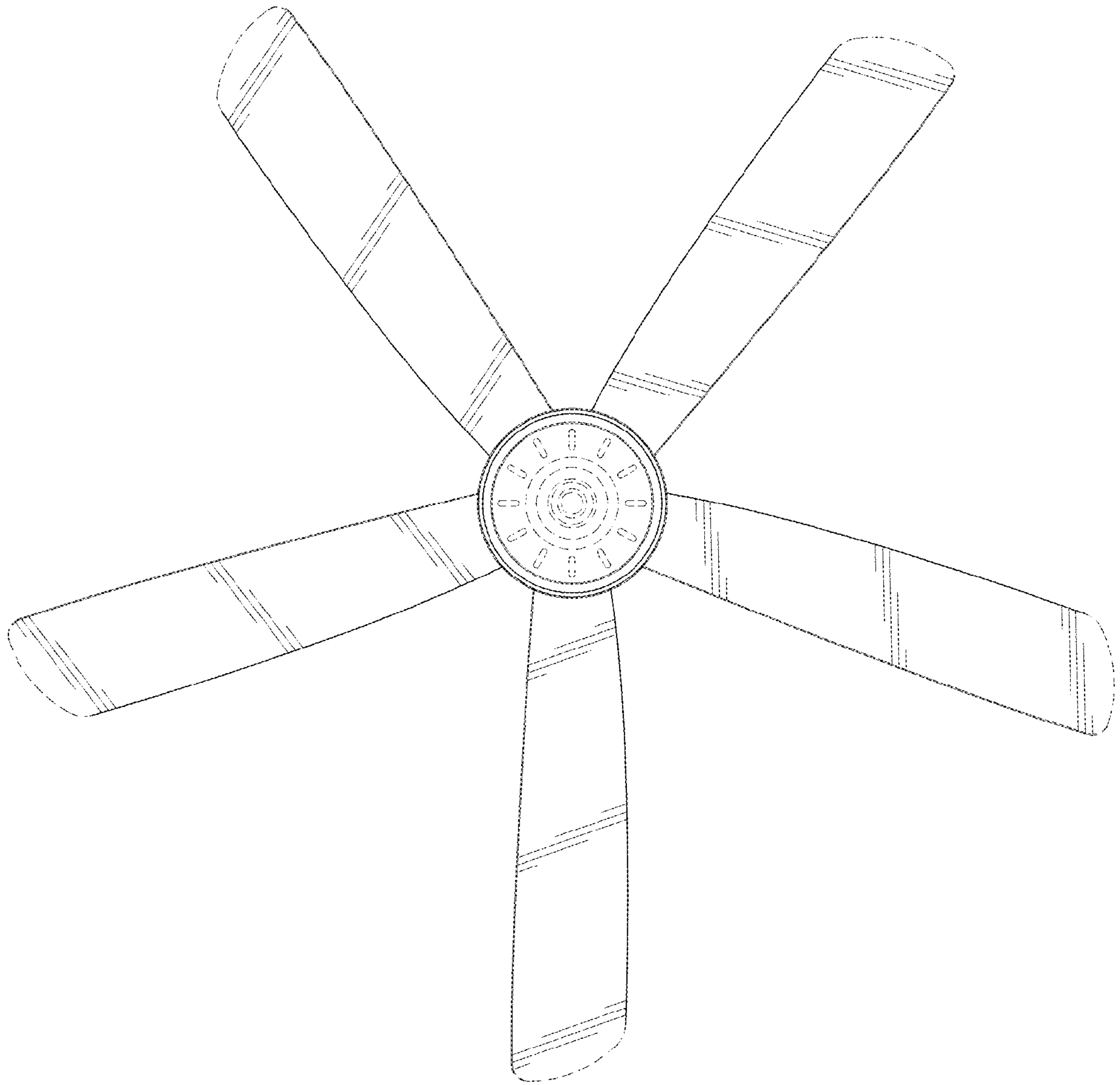


FIG. 6

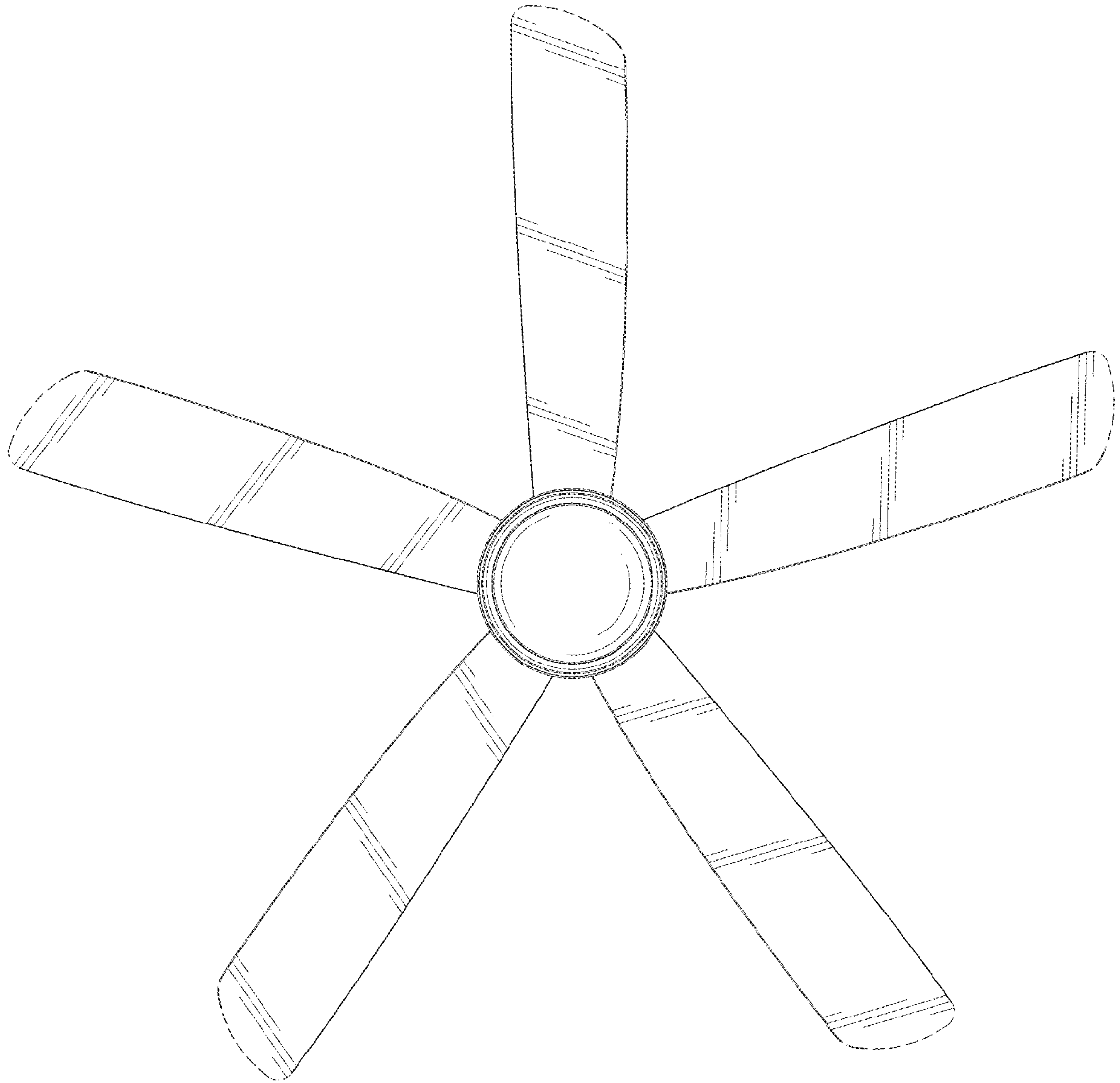


FIG. 7

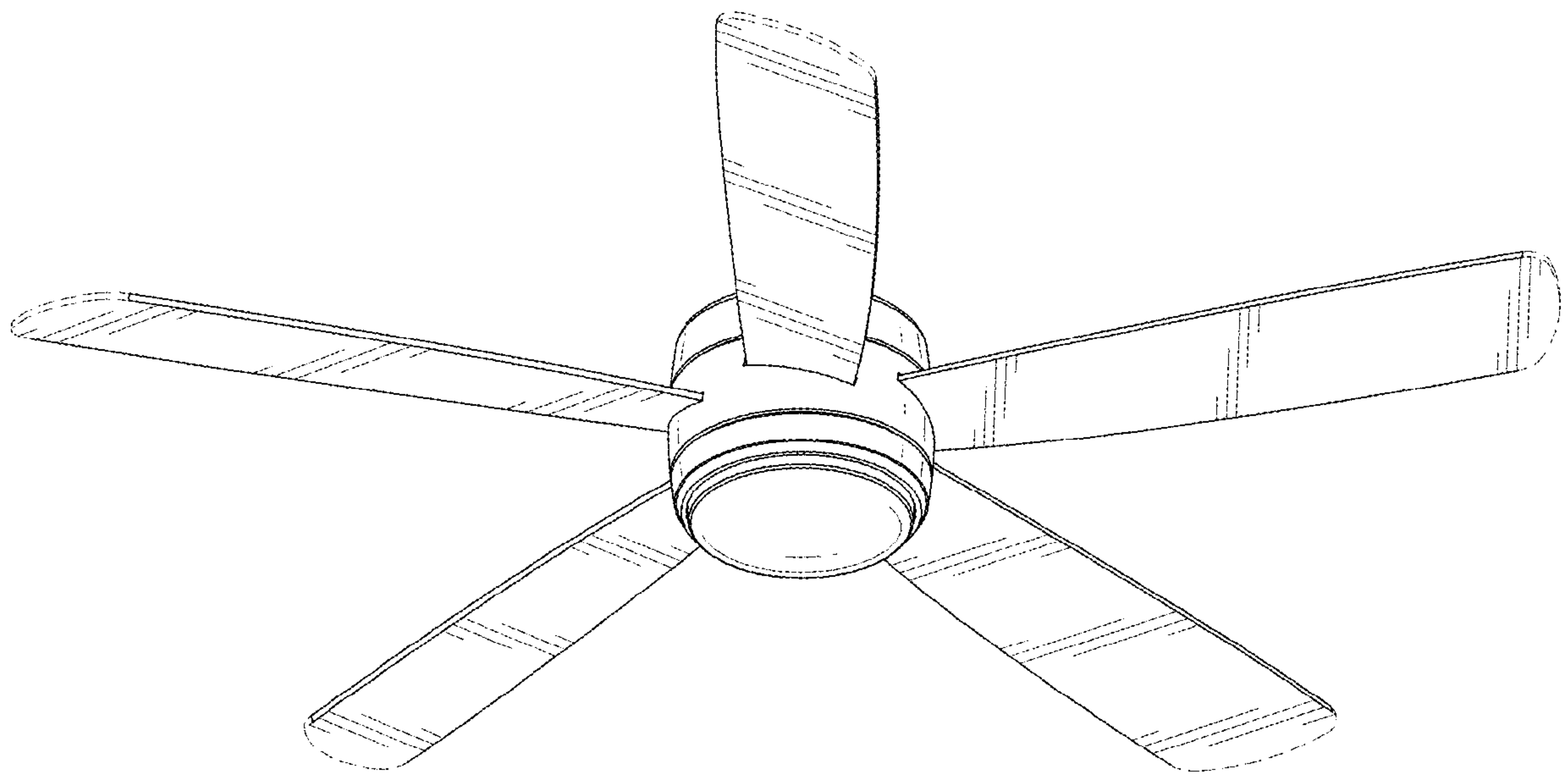


FIG. 8