



US00D938006S

(12) **United States Design Patent** (10) **Patent No.:** **US D938,006 S**
Du (45) **Date of Patent:** **** Dec. 7, 2021**

(54) **FILTER** 8,172,919 B1 * 5/2012 Ruiz B01D 46/12
55/495
(71) Applicant: **Tianjin Bright Sight Commerce Co.,** D679,792 S * 4/2013 Hollingsworth D23/365
Ltd., Tianjin (CN) D862,017 S * 10/2019 Dou D32/30
D900,063 S * 10/2020 Park D14/217
(72) Inventor: **Zhigang Du, Tianjin (CN)** 2020/0238211 A1 * 7/2020 Lee B01D 46/0023
2020/0269175 A1 * 8/2020 Yang B01D 46/0004
2020/0338487 A1 * 10/2020 Chuang B01D 46/0093
2020/0346151 A1 * 11/2020 Zahaf B01D 46/0005
2021/0086120 A1 * 3/2021 Burkhart-Day B01D 46/0005

(**) Term: **15 Years**

(21) Appl. No.: **29/721,702**

(22) Filed: **Jan. 22, 2020**

(51) **LOC (13) Cl.** **23-04**

(52) **U.S. Cl.**
USPC **D23/365**

(58) **Field of Classification Search**

USPC D23/209, 314, 325, 333-336, 355-366,
D23/386-388

CPC Y10T 428/1366; B32B 2597/00; B01D
46/00; B01D 46/0004; B01D 27/04;

F25D 17/042; A61L 9/01

See application file for complete search history.

(56) **References Cited**

U.S. PATENT DOCUMENTS

D383,881 S * 9/1997 Gudmundsson D32/30

6,379,412 B1 * 4/2002 Porterfield B01D 46/0004
55/493

* cited by examiner

Primary Examiner — John A Voytek

(74) *Attorney, Agent, or Firm* — Yanling Jiang

(57) **CLAIM**

The ornamental design for filter, as shown and described.

DESCRIPTION

FIG. 1 is a top right perspective view showing filter, showing my new design;

FIG. 2 is a front elevation view thereof;

FIG. 3 is a rear elevation view thereof;

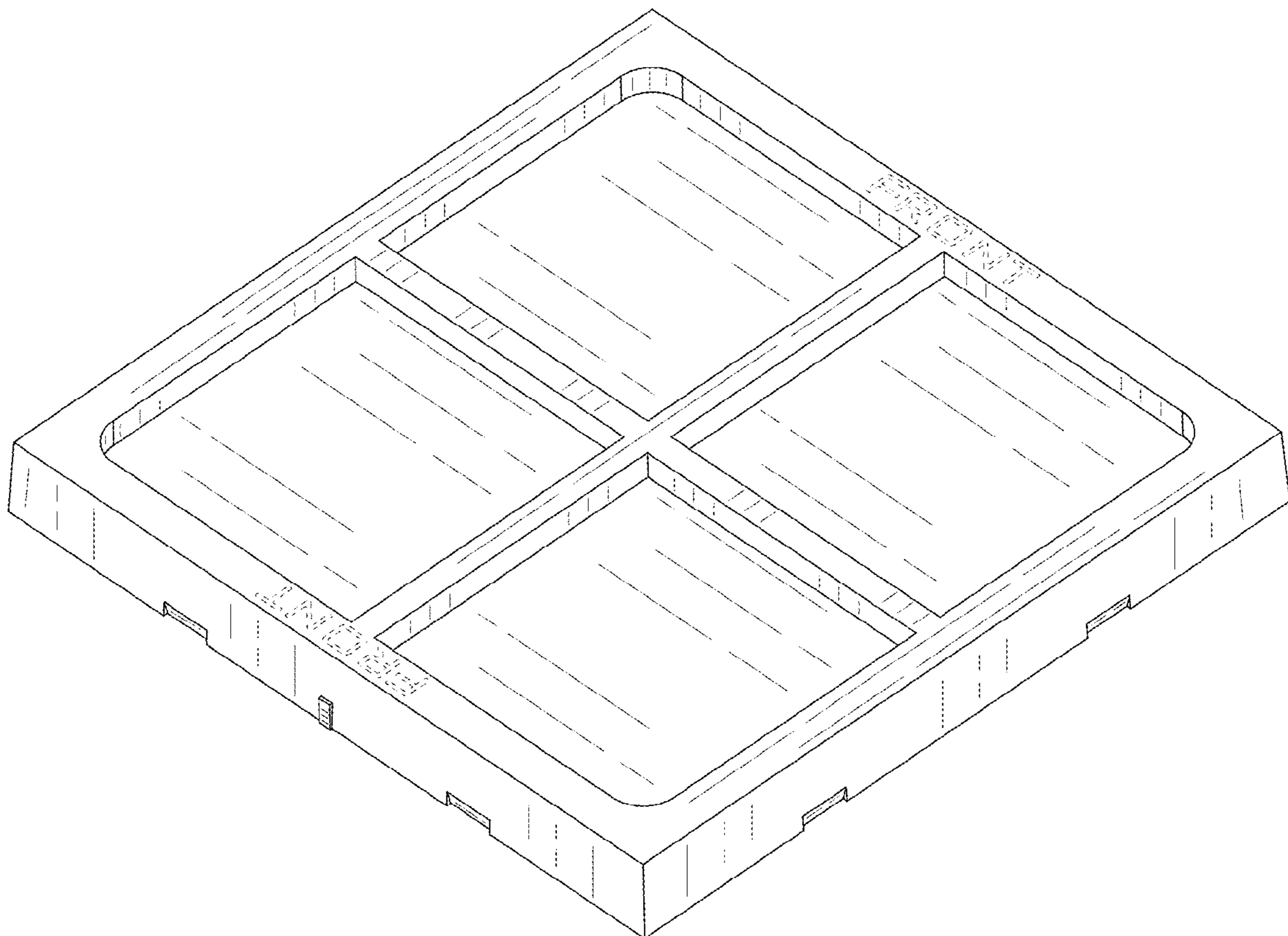
FIG. 4 is a top plan view thereof;

FIG. 5 is a bottom plan view thereof;

FIG. 6 is a side view thereof; and,

FIG. 7 is an opposite side view thereof.

1 Claim, 7 Drawing Sheets



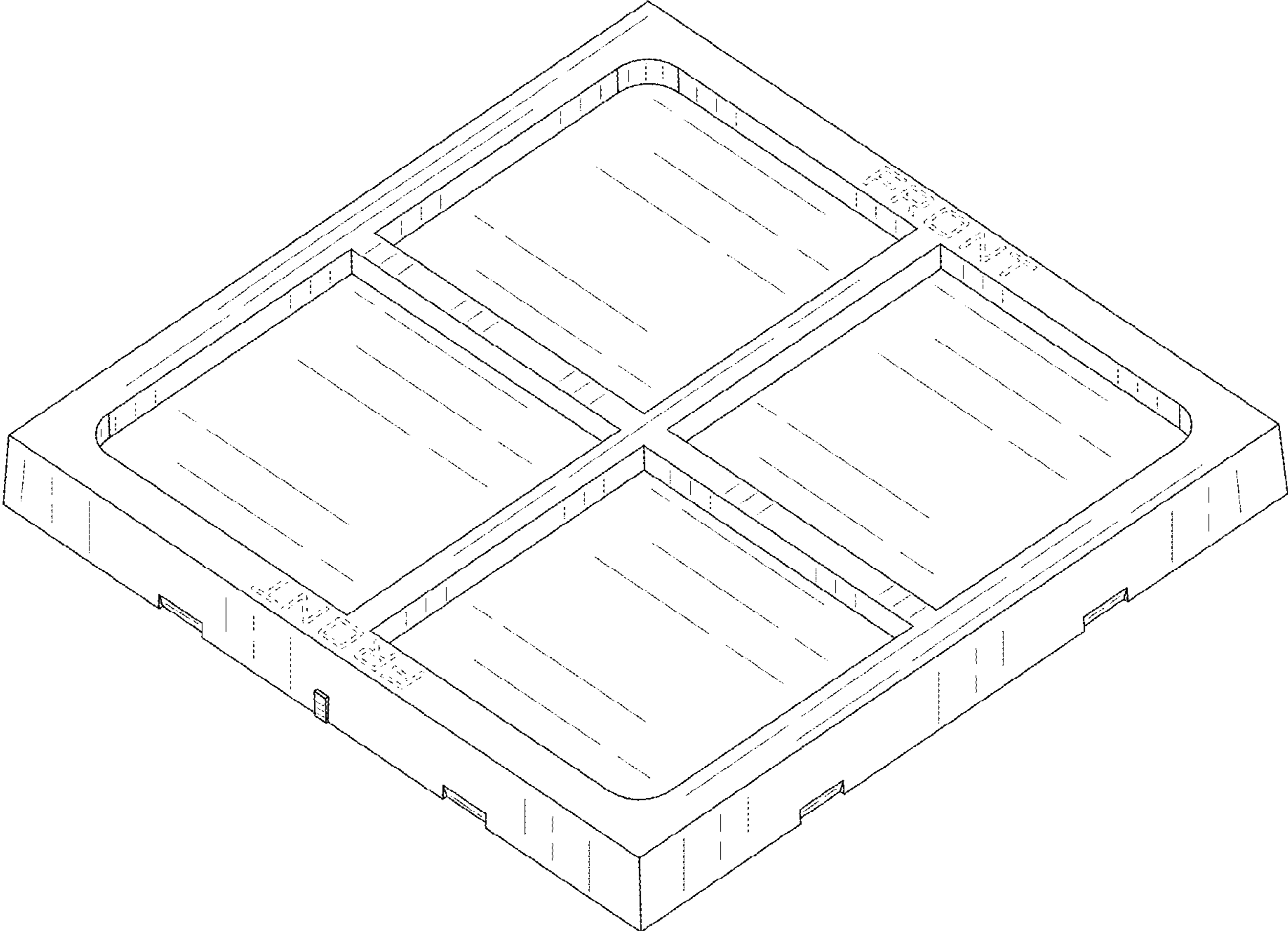


FIG.1

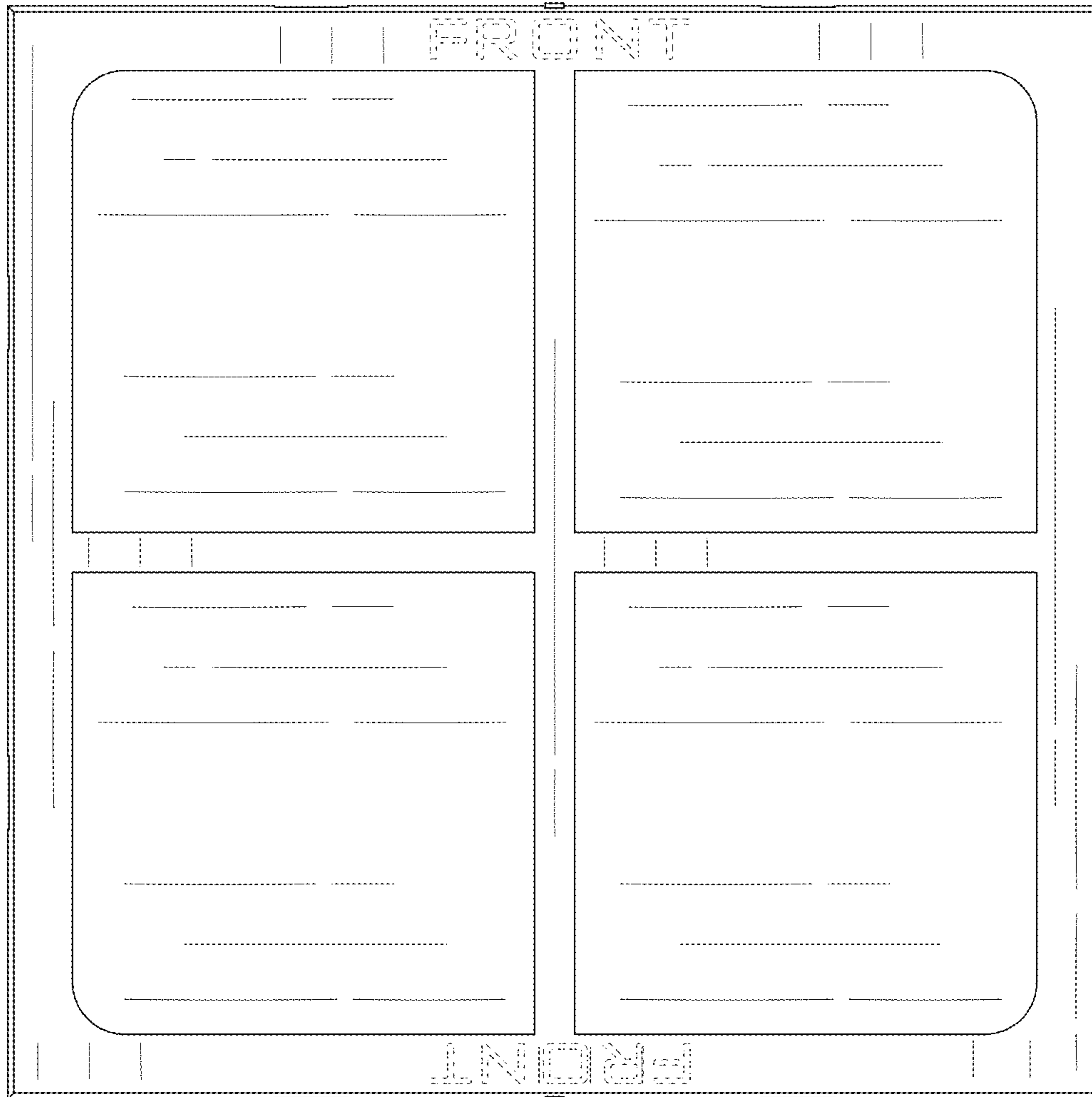


FIG.2

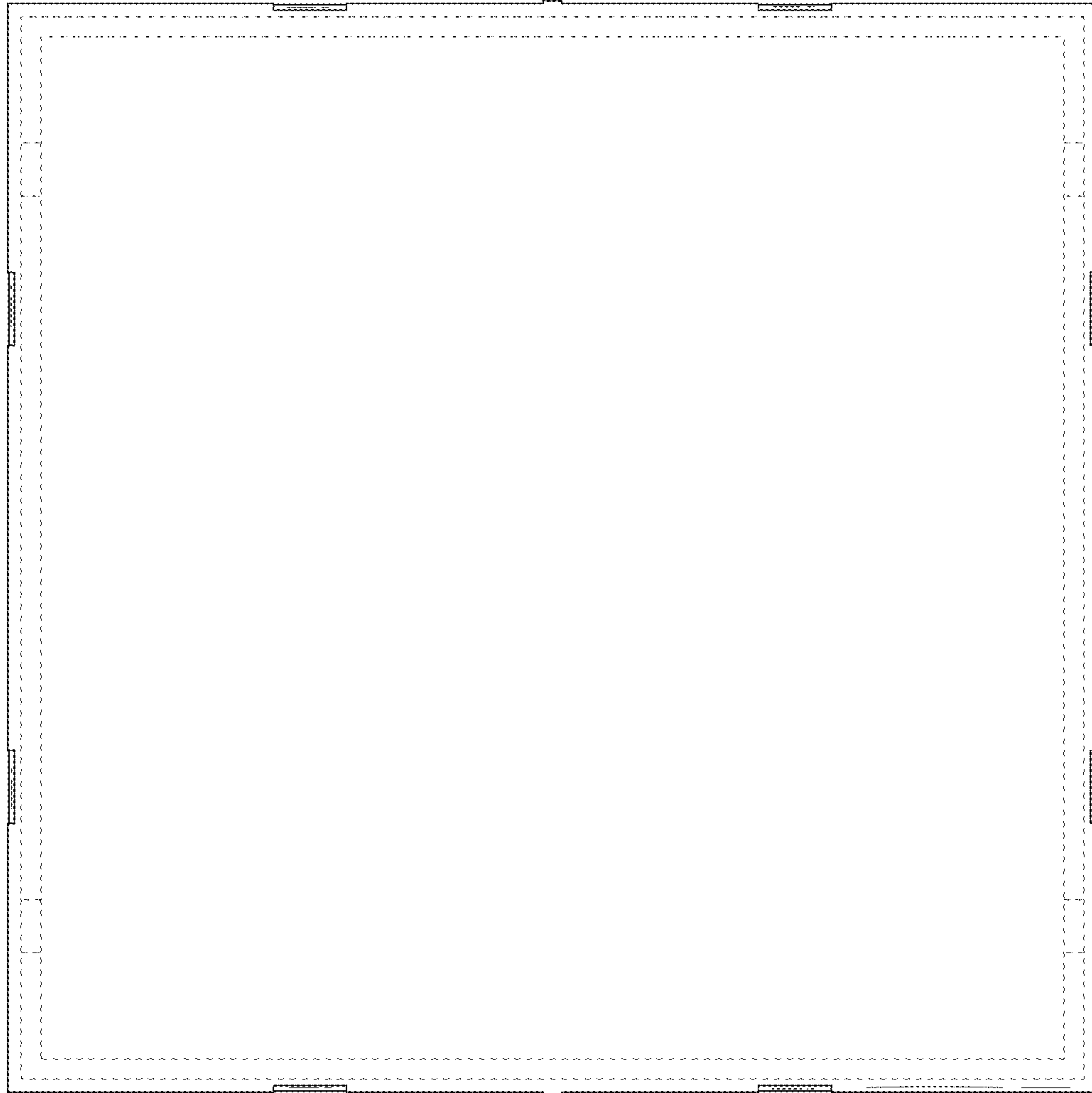


FIG.3

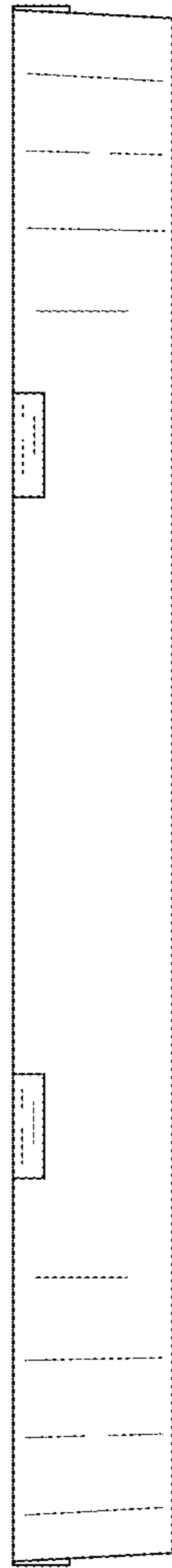


FIG.4

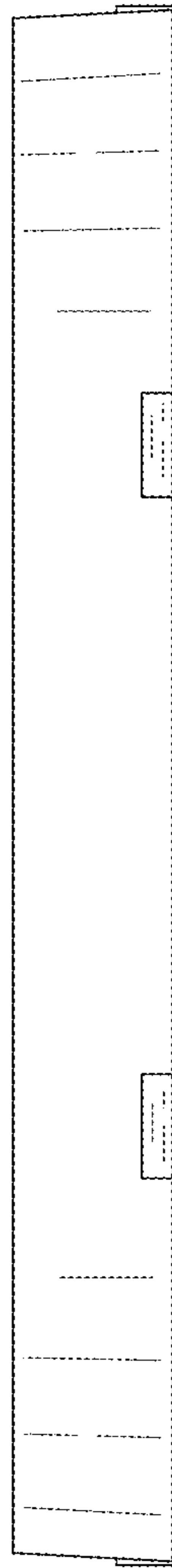


FIG.5

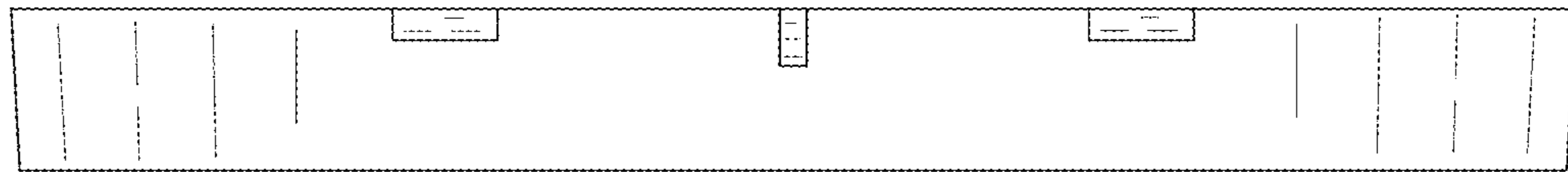


FIG.6

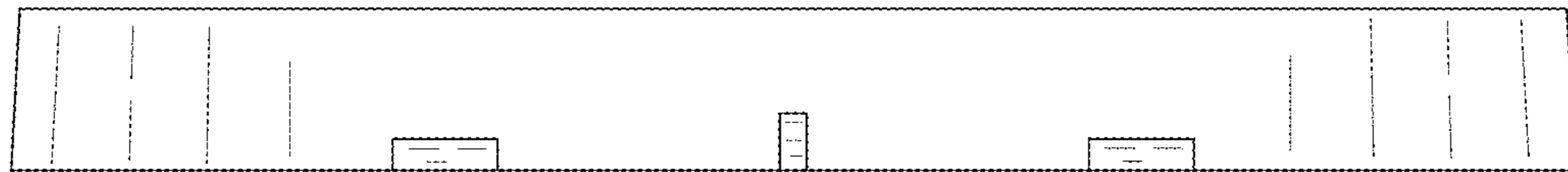


FIG.7