



US00D938004S

(12) **United States Design Patent** (10) **Patent No.:** **US D938,004 S**  
**He** (45) **Date of Patent:** **\*\* Dec. 7, 2021**

(54) **AIR FILTER FRAME SET**  
(71) Applicant: **DCSTAR INC**, New York, NY (US)  
(72) Inventor: **Ligui He**, New York, NY (US)  
(73) Assignee: **DCSTAR INC**, New York, NY (US)  
(\*\*) Term: **15 Years**

(21) Appl. No.: **29/711,013**

(22) Filed: **Oct. 28, 2019**

(30) **Foreign Application Priority Data**

May 6, 2019 (CN) ..... 201920641040.2

(51) **LOC (13) Cl.** ..... **23-04**

(52) **U.S. Cl.**  
USPC ..... **D23/365**

(58) **Field of Classification Search**  
USPC ..... D23/209, 314, 325, 333-336, 355-366,  
D23/386-388  
CPC ..... Y10T 428/1366; B01D 46/00; B01D  
46/0004; B01D 27/04; F25D 17/042;  
A61L 9/01; B32B 2597/00  
See application file for complete search history.

(56) **References Cited**

**U.S. PATENT DOCUMENTS**

5,807,415 A	9/1998	Leo	
6,074,450 A *	6/2000	Raber	B01D 46/10 55/497
7,811,346 B1 *	10/2010	Henson	B01D 46/0005 55/385.1
D710,000 S	7/2014	Moreno	
D736,363 S *	8/2015	Pereira	D23/354
D742,496 S *	11/2015	Carter	D23/365
D762,832 S	8/2016	Gale	
D893,695 S *	8/2020	Gale	D23/365
D896,944 S *	9/2020	Hwang	D23/365

10,940,417 B1 *	3/2021	Bishop	B01D 46/0006
2004/0074214 A1 *	4/2004	Henson	B01D 46/008 55/501
2004/0182055 A1 *	9/2004	Wynn	B01D 46/0016 55/497
2007/0113527 A1 *	5/2007	Song	F24F 7/08 55/471
2018/0161713 A1 *	6/2018	Cho	B01D 46/0006
2020/0164298 A1 *	5/2020	Drabek	H02K 9/26
2021/0018247 A1 *	1/2021	Hanson	A61L 9/01

\* cited by examiner

*Primary Examiner* — John A Voytek

(74) *Attorney, Agent, or Firm* — Hamre, Schumann,  
Mueller & Larson, P.C.

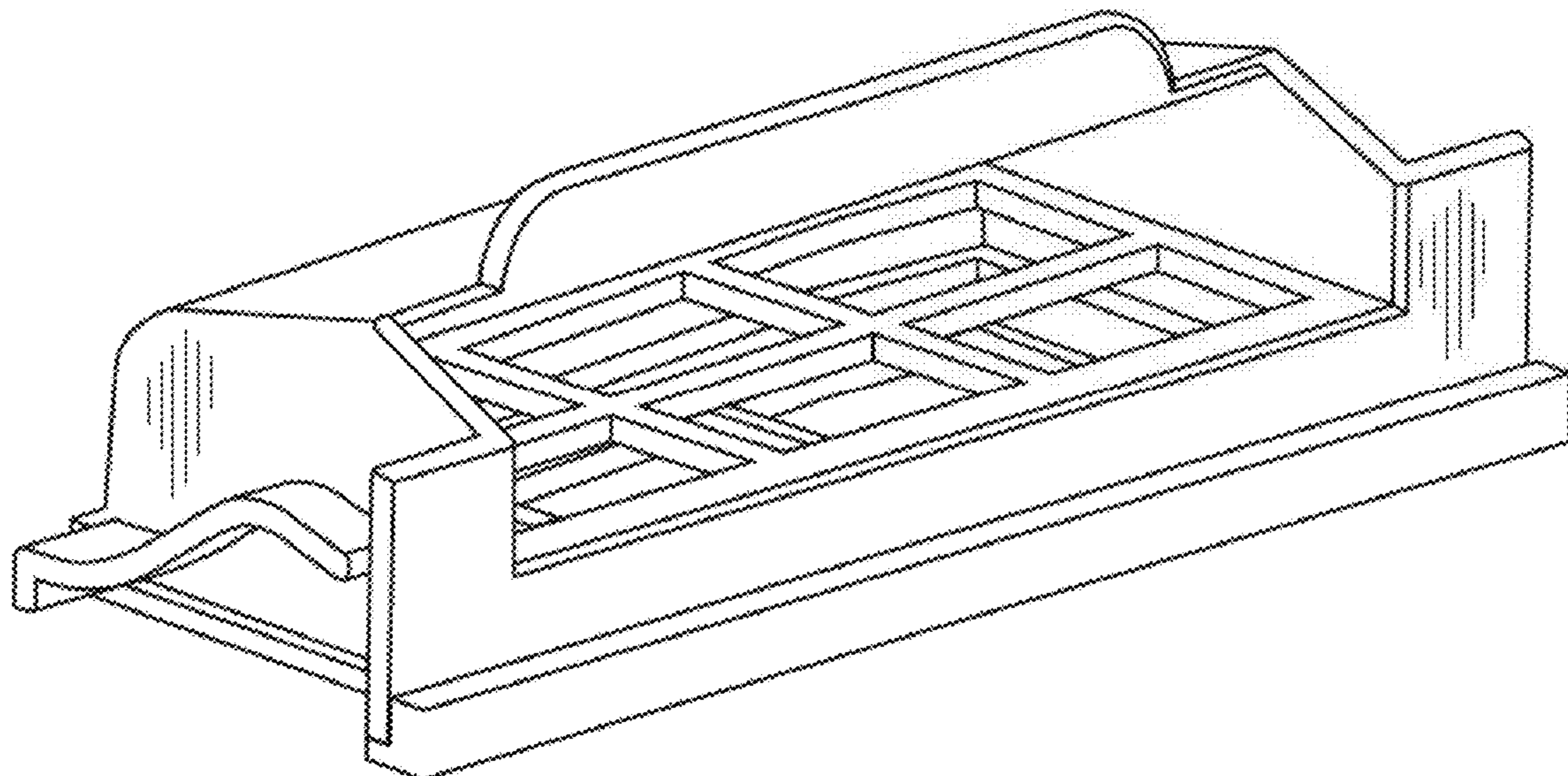
(57) **CLAIM**

I claim the ornamental design for an air filter frame set, as shown and described.

**DESCRIPTION**

FIG. 1 is a top front perspective view of an air filter frame set showing my new design;  
FIG. 2 is a second top front perspective view of the air filter frame set of FIG. 1;  
FIG. 3 is a top view of the air filter frame set of FIG. 1;  
FIG. 4 is a bottom view of the air filter frame set of FIG. 1;  
FIG. 5 is a front view of the air filter frame set of FIG. 1;  
FIG. 6 is a rear view of the air filter frame set of FIG. 1;  
FIG. 7 is a left side view of the air filter frame set of FIG. 1;  
FIG. 8 is a right side view of the air filter frame set of FIG. 1;  
FIG. 9 is a first exploded view of the air filter frame set of FIG. 1;  
FIG. 10 is a second exploded view of the air filter frame set of FIG. 1;  
FIG. 11 is a detailed view of a portion of FIG. 9; and,  
FIG. 12 is a detailed view of a portion of FIG. 10.

**1 Claim, 6 Drawing Sheets**



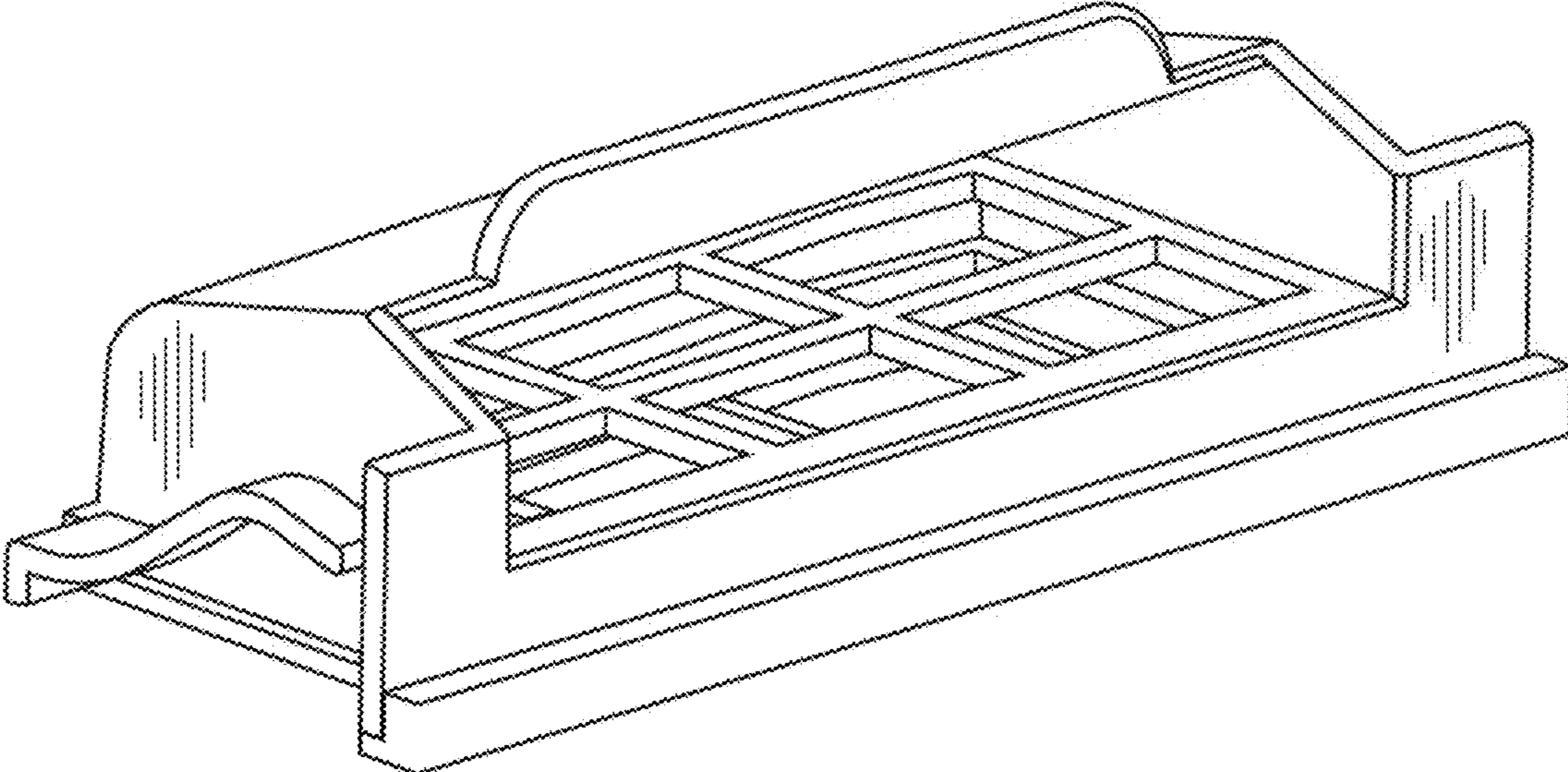


FIG. 1

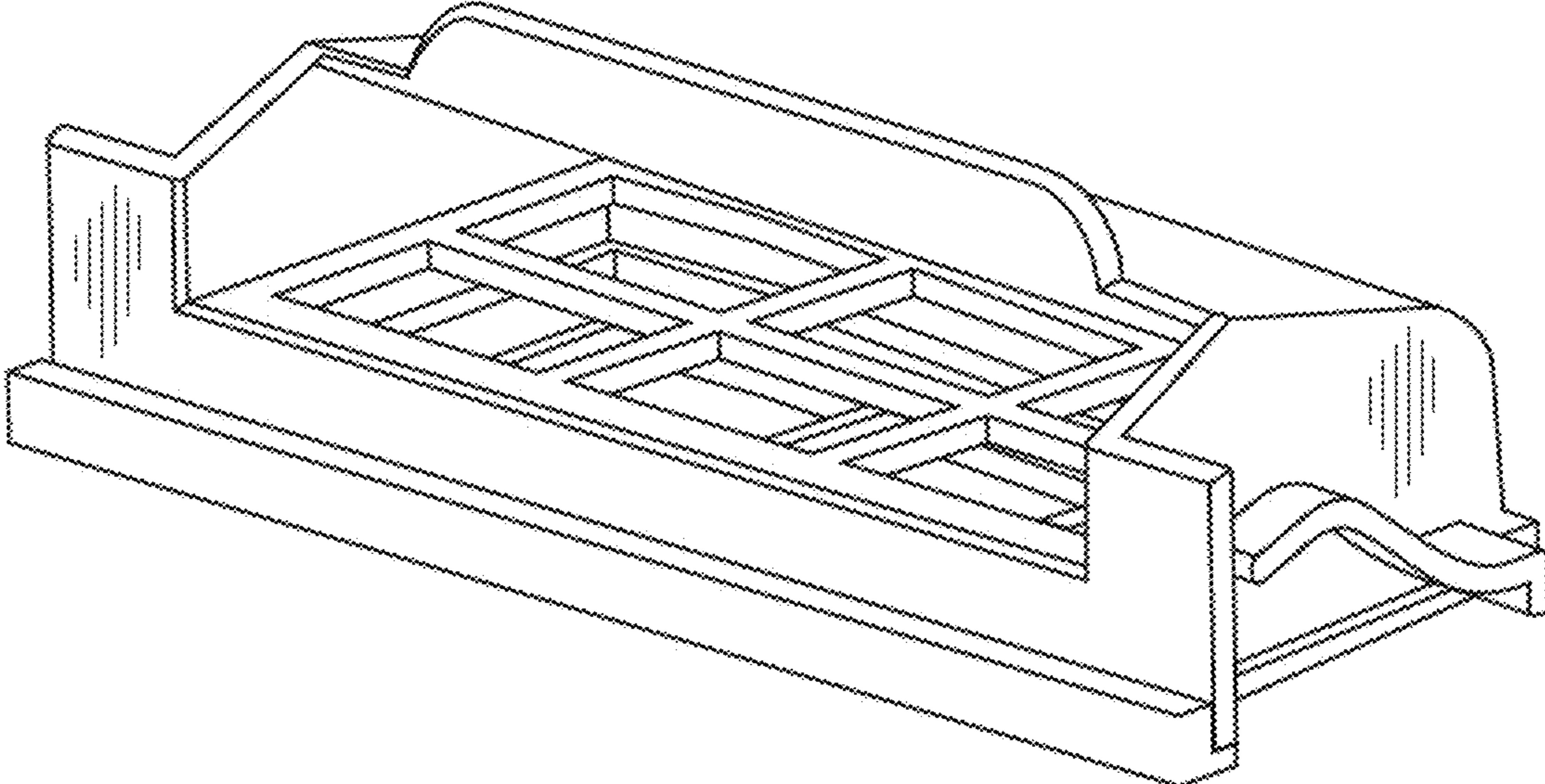


FIG. 2

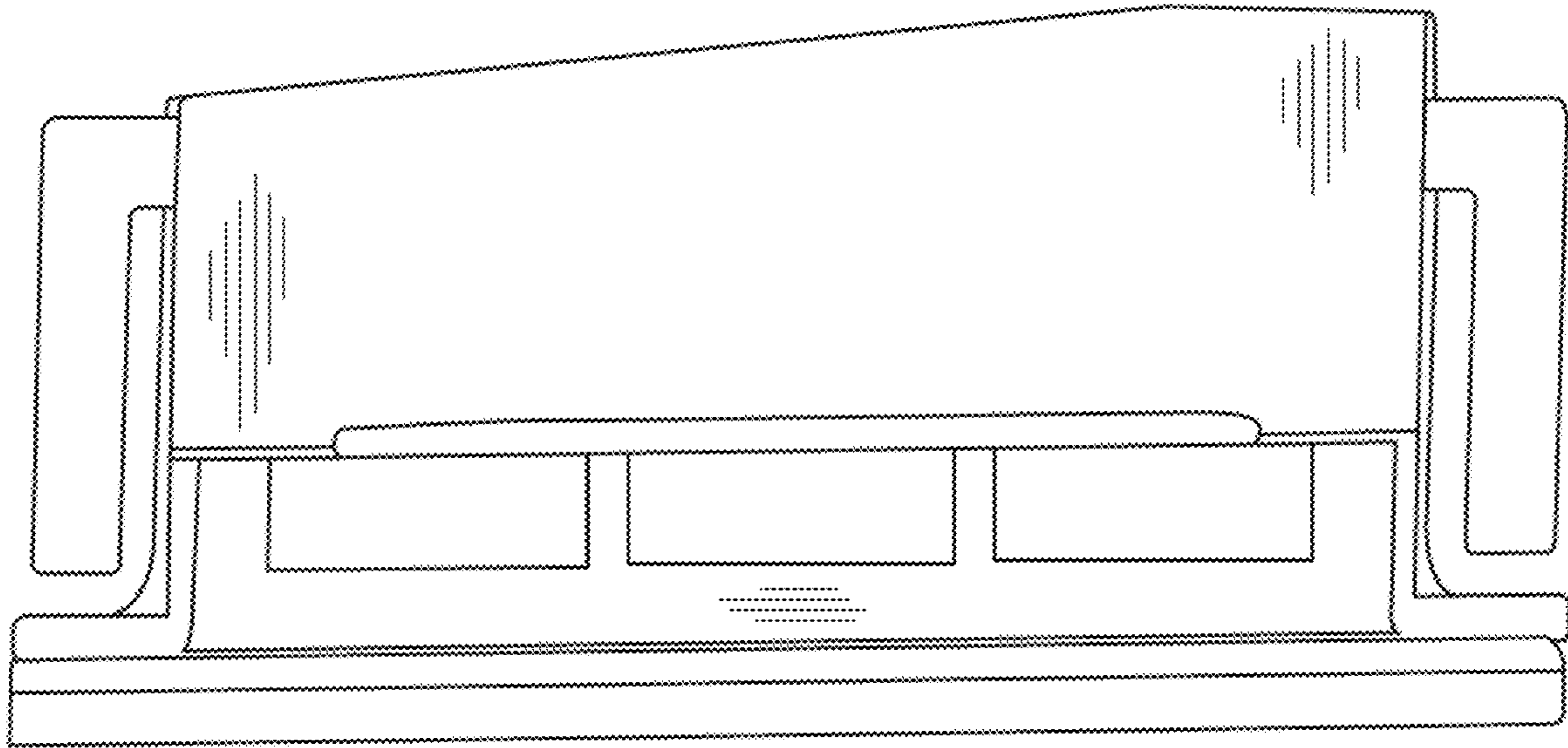


FIG.3

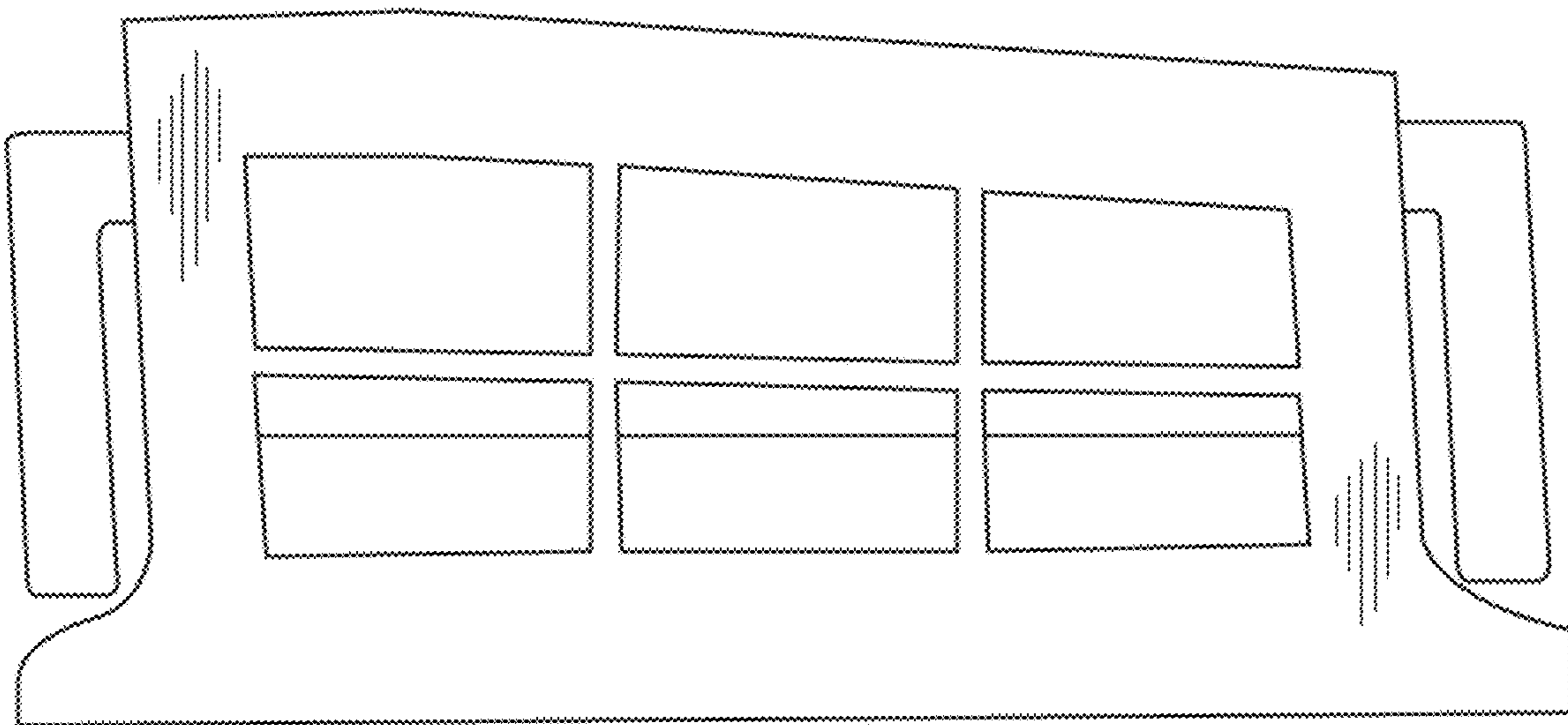


FIG.4

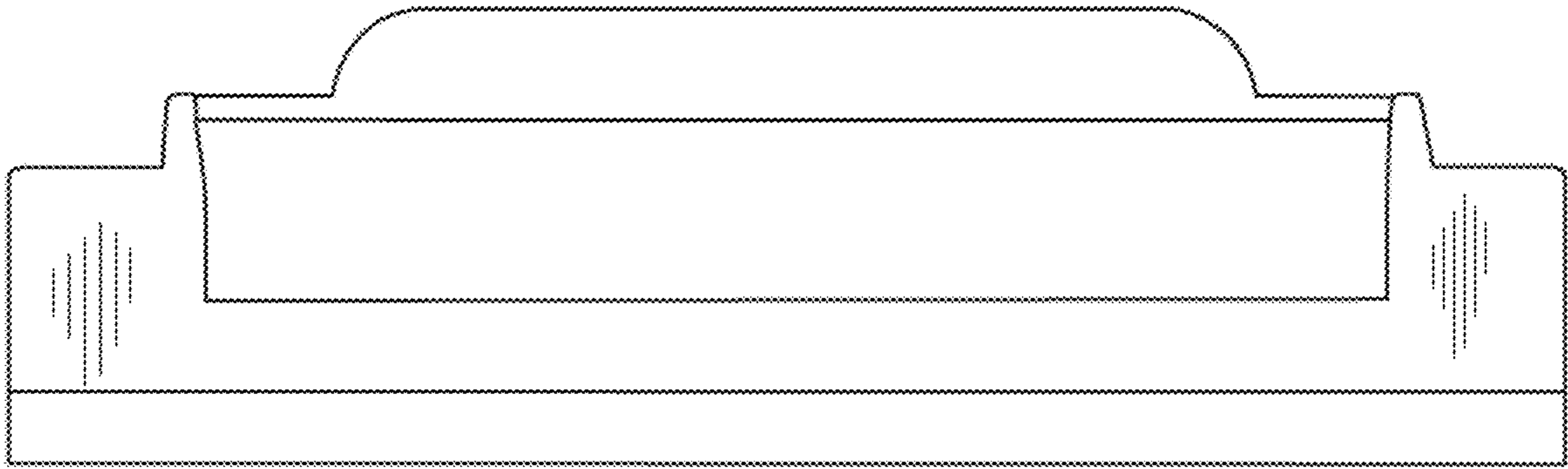


FIG.5

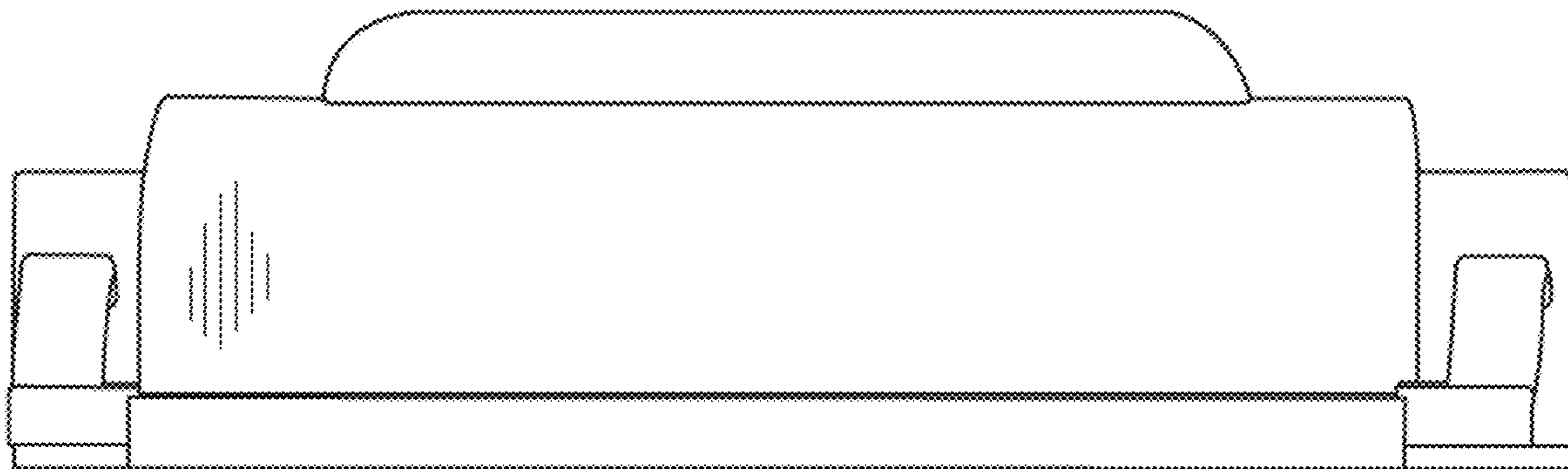


FIG.6

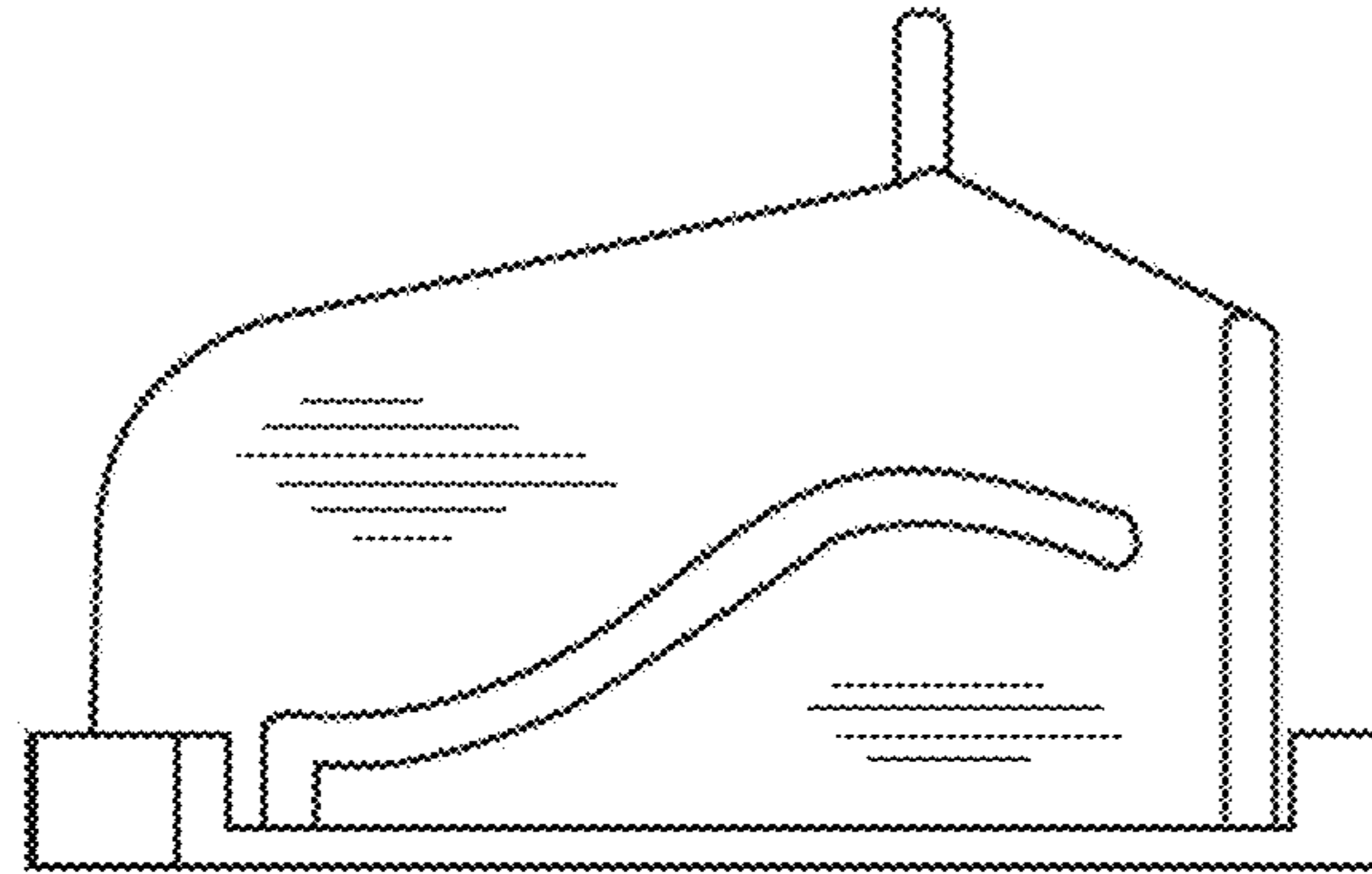


FIG. 7

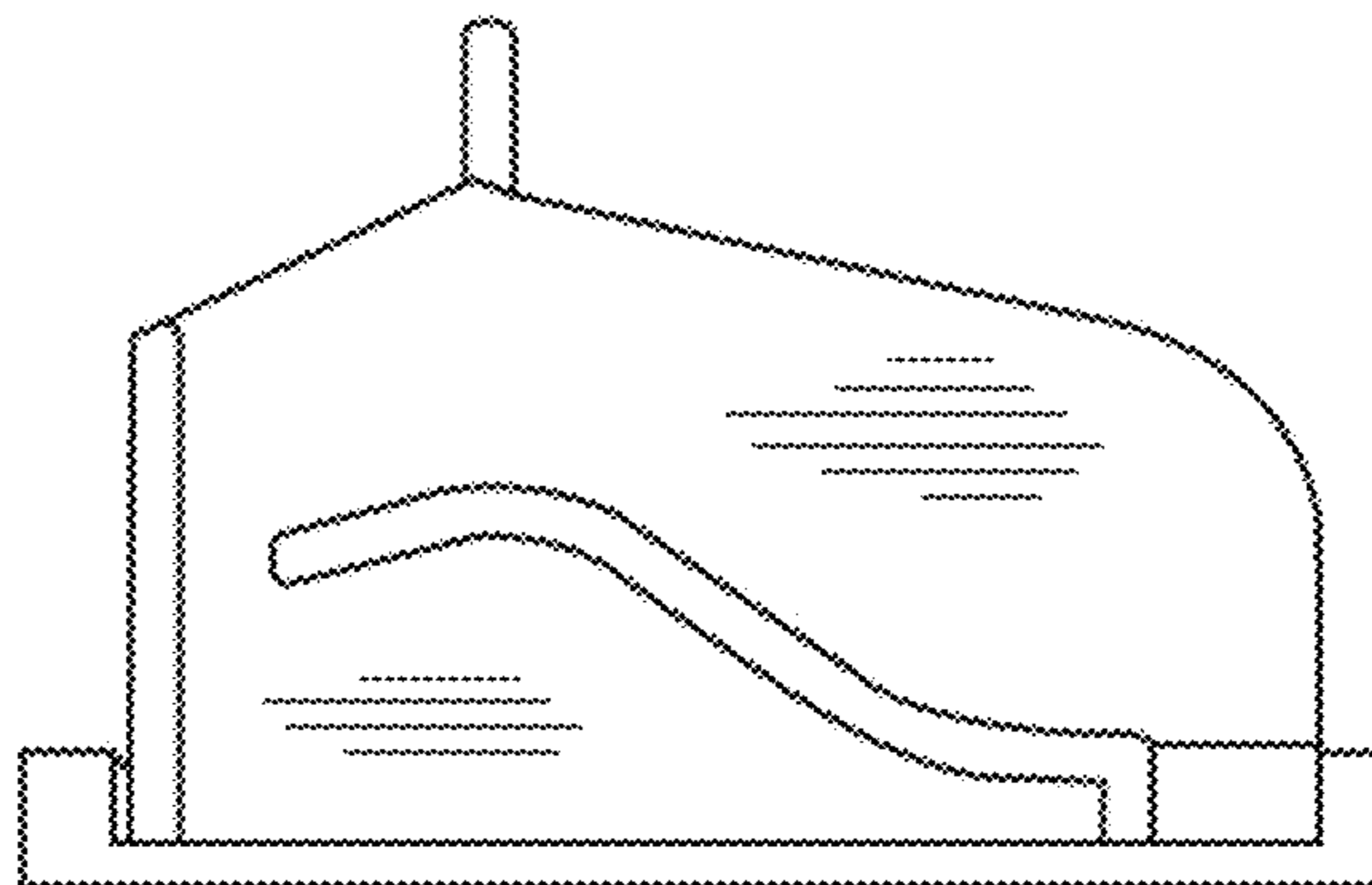


FIG. 8

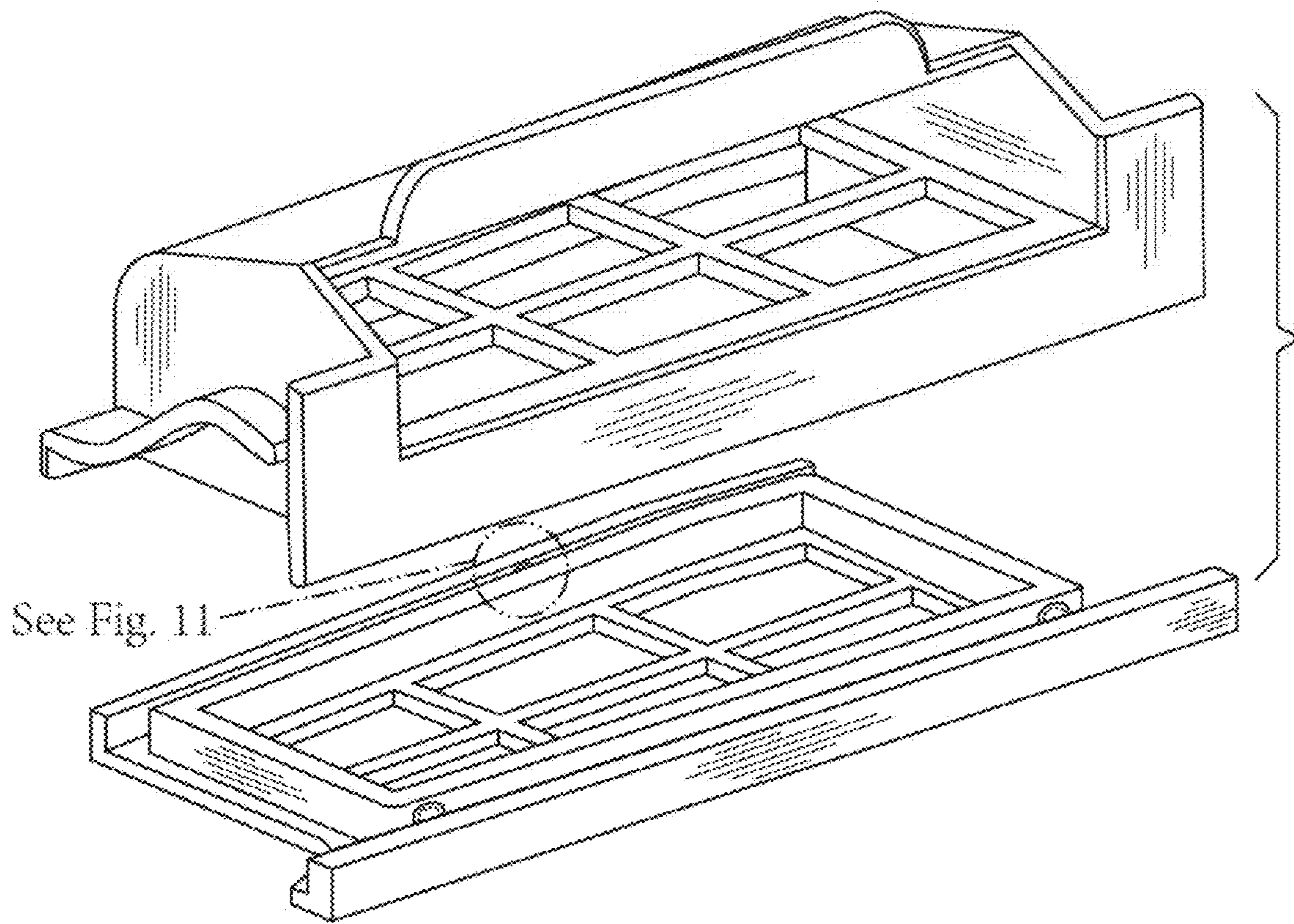


FIG. 9

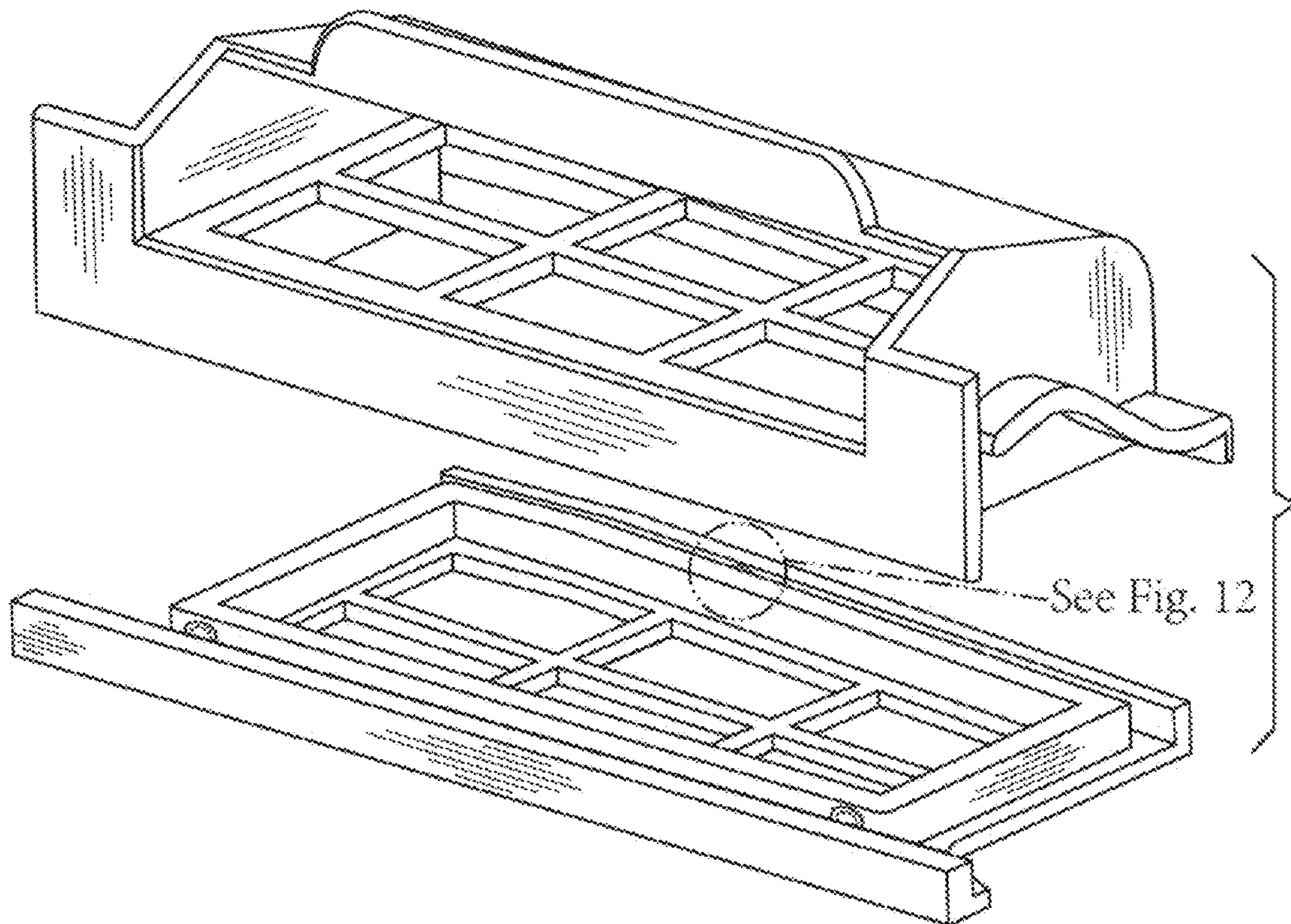


FIG. 10

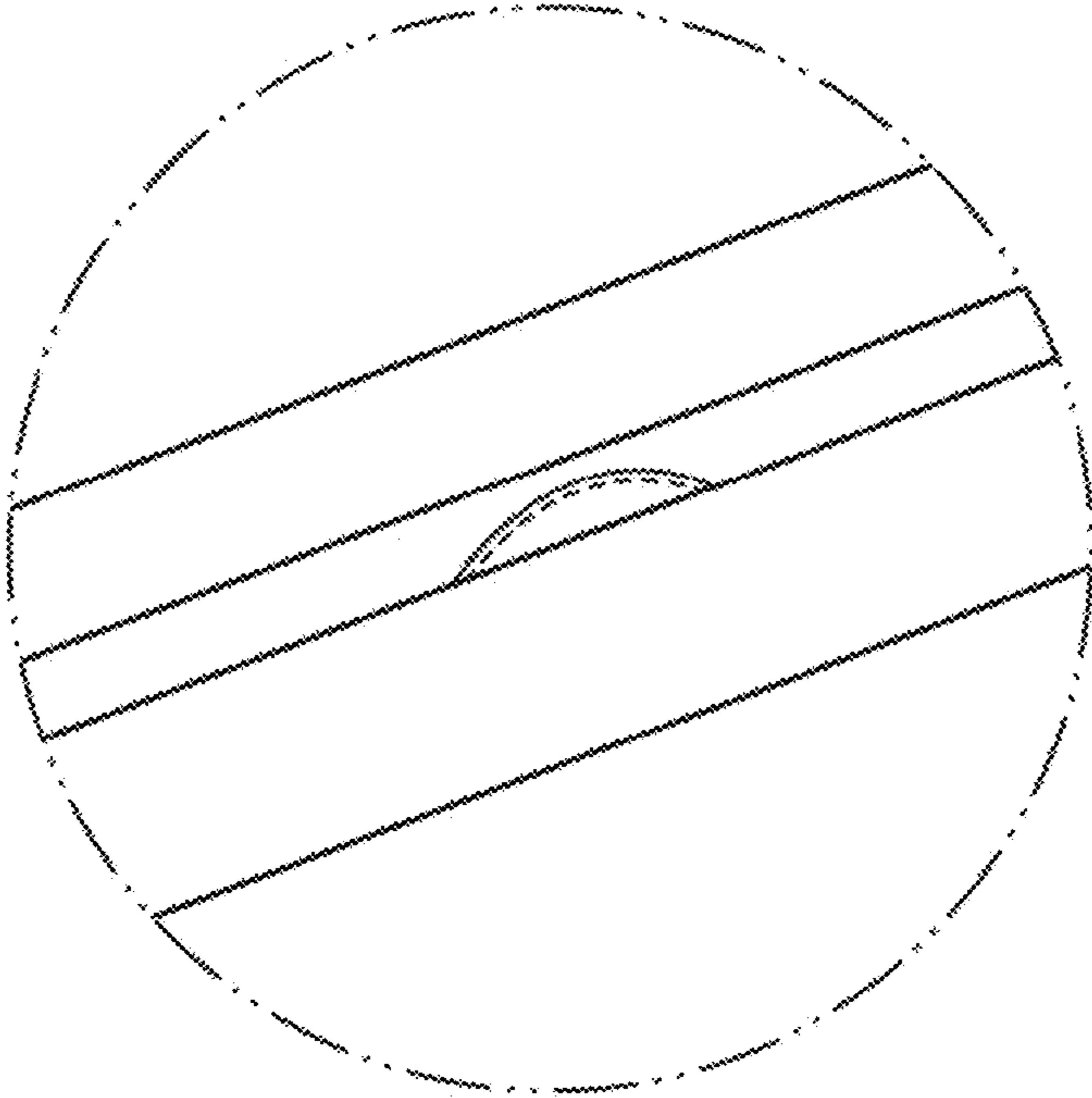


FIG. 11

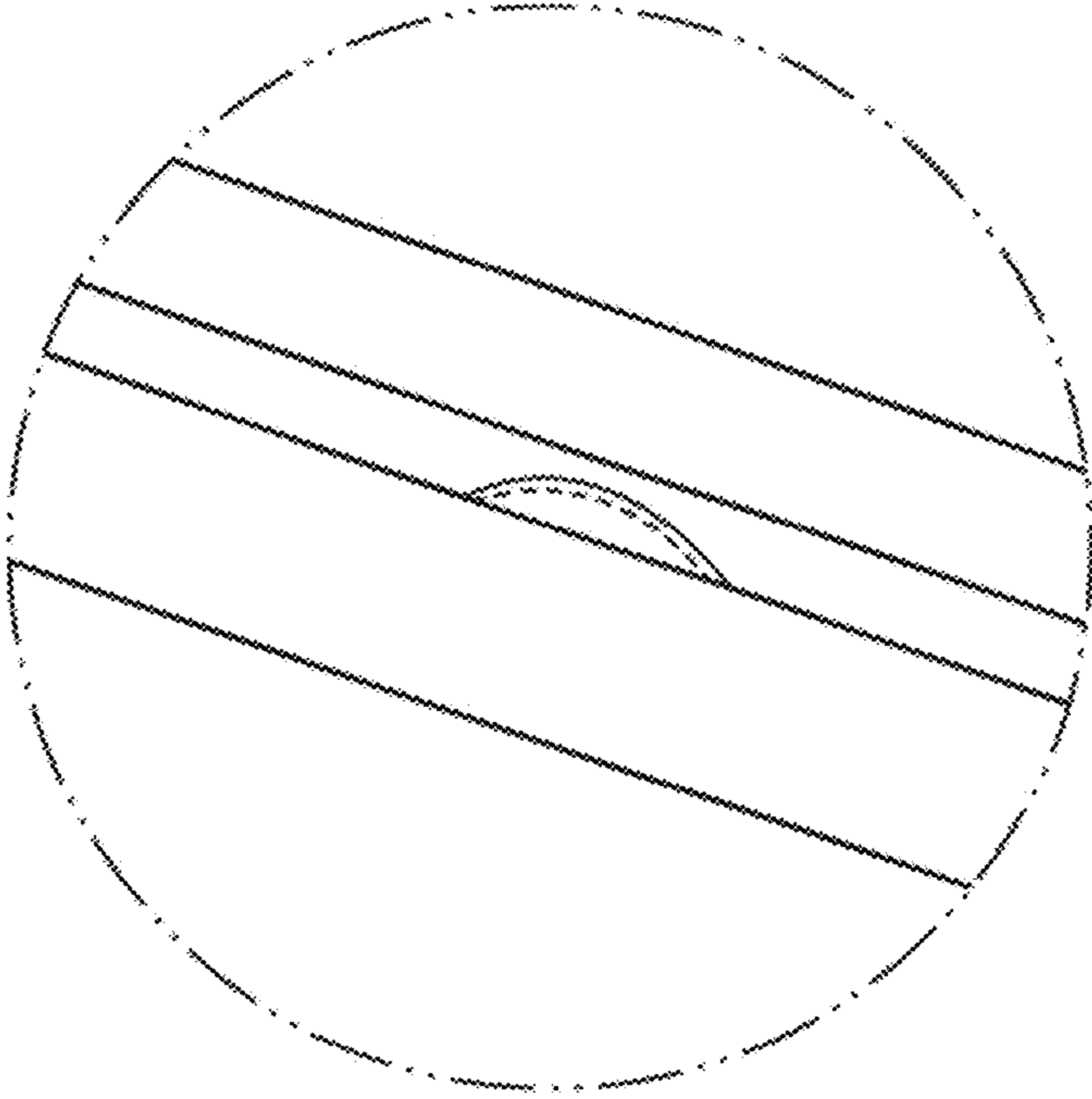


FIG. 12