



US00D938003S

(12) **United States Design Patent**
Ming

(10) **Patent No.:** **US D938,003 S**

(45) **Date of Patent:** **** Dec. 7, 2021**

(54) **WOOD STOVE WITH HEATED DRYING BASKET AND HEATED CLOTH RACK**

(71) Applicant: **Two Penguin. Co. Ltd**, Nanchang (CN)

(72) Inventor: **Huang Shao Ming**, Taipei (TW)

(**) Term: **15 Years**

(21) Appl. No.: **29/779,076**

(22) Filed: **Apr. 16, 2021**

Related U.S. Application Data

(63) Continuation-in-part of application No. 29/750,324, filed on Sep. 13, 2020.

(51) **LOC (13) Cl.** **23-03**

(52) **U.S. Cl.**
USPC **D23/343**

(58) **Field of Classification Search**
USPC D23/314, 342, 343, 344, 347
CPC F24B 1/191; F24B 7/00; F02B 43/08
See application file for complete search history.

(56) **References Cited**

U.S. PATENT DOCUMENTS

- 179,162 A * 6/1876 Dalley A01K 7/027
126/347
- D258,385 S * 2/1981 Ferrara, Jr. D23/343
- 4,342,306 A * 8/1982 Thulman F24B 7/00
126/61

- 4,919,109 A * 4/1990 Riley F24C 15/30
108/65
- D328,341 S * 7/1992 Chiu D23/346
- D329,693 S * 9/1992 Mills D23/344
- D871,821 S * 1/2020 Boltz D7/334
- 2013/0029024 A1* 1/2013 Warren A47J 37/0704
426/523

* cited by examiner

Primary Examiner — Ania Aman

(57) **CLAIM**

I claim, the ornamental design for a wood stove with heated drying basket and heated cloth rack, as shown and described.

DESCRIPTION

FIG. 1 is a Front Perspective view of a wood stove with heated drying basket and heated cloth rack showing my new design

FIG. 2 is a Back Perspective view thereof;

FIG. 3 is a Right-side Perspective view thereof;

FIG. 4 is a Front view thereof;

FIG. 5 is a Back view thereof;

FIG. 6 is a Right-side view thereof;

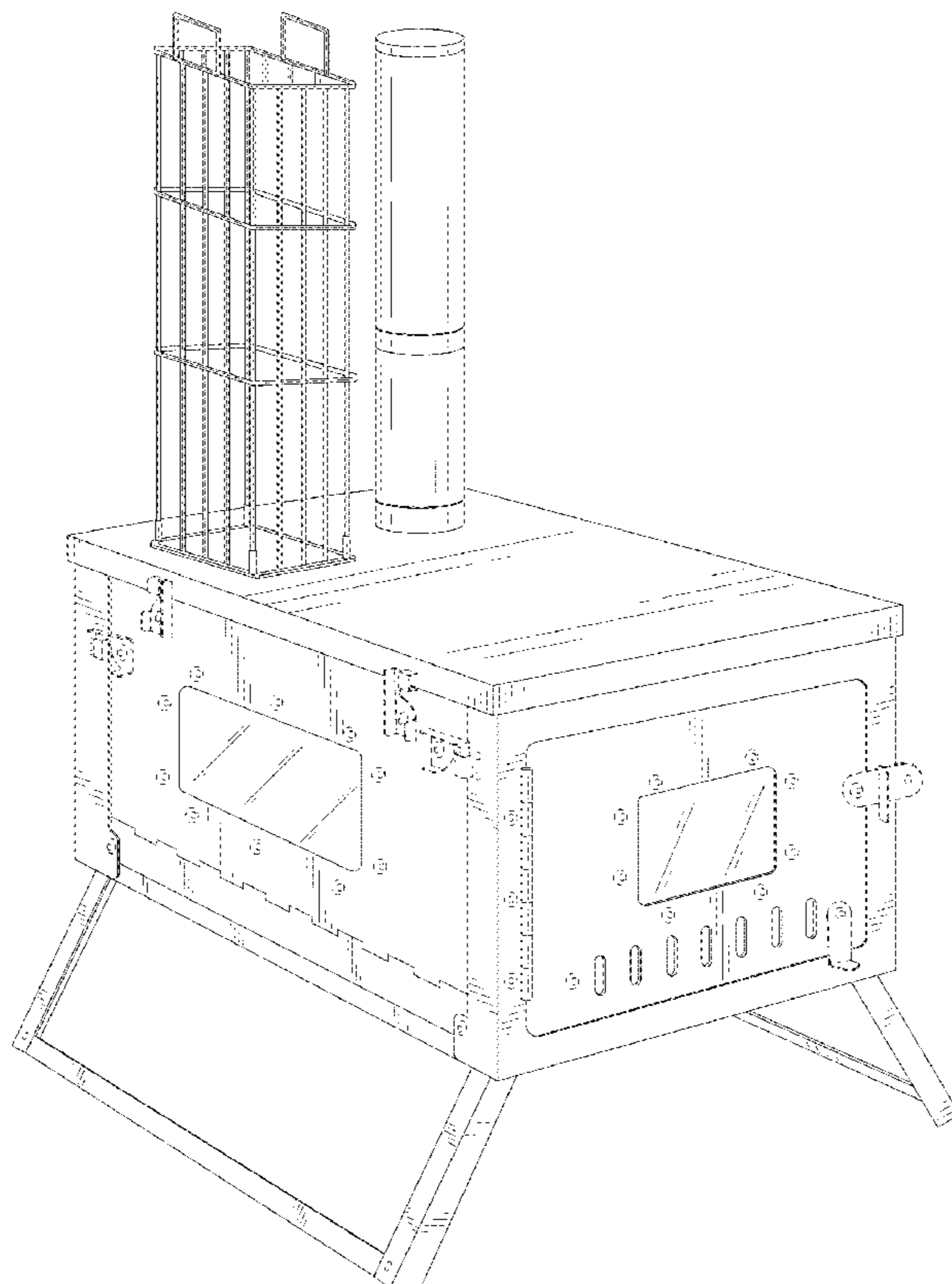
FIG. 7 is a Left-side view thereof;

FIG. 8 is a Top view thereof; and,

FIG. 9 is a Bottom view thereof.

In the drawings, the broken lines depict unclaimed subject matter only and form no part of the claimed design.

1 Claim, 9 Drawing Sheets



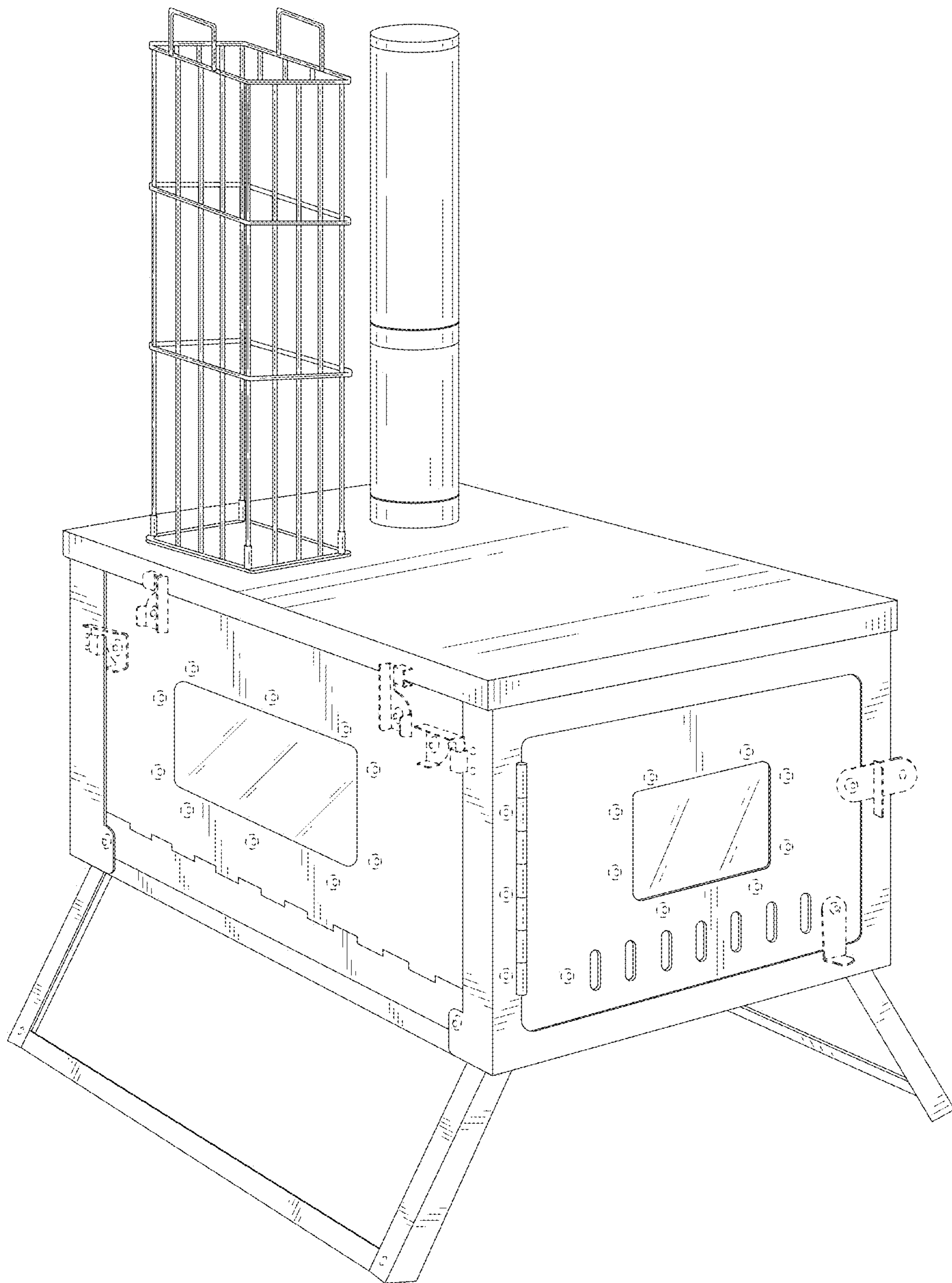


FIG. 1

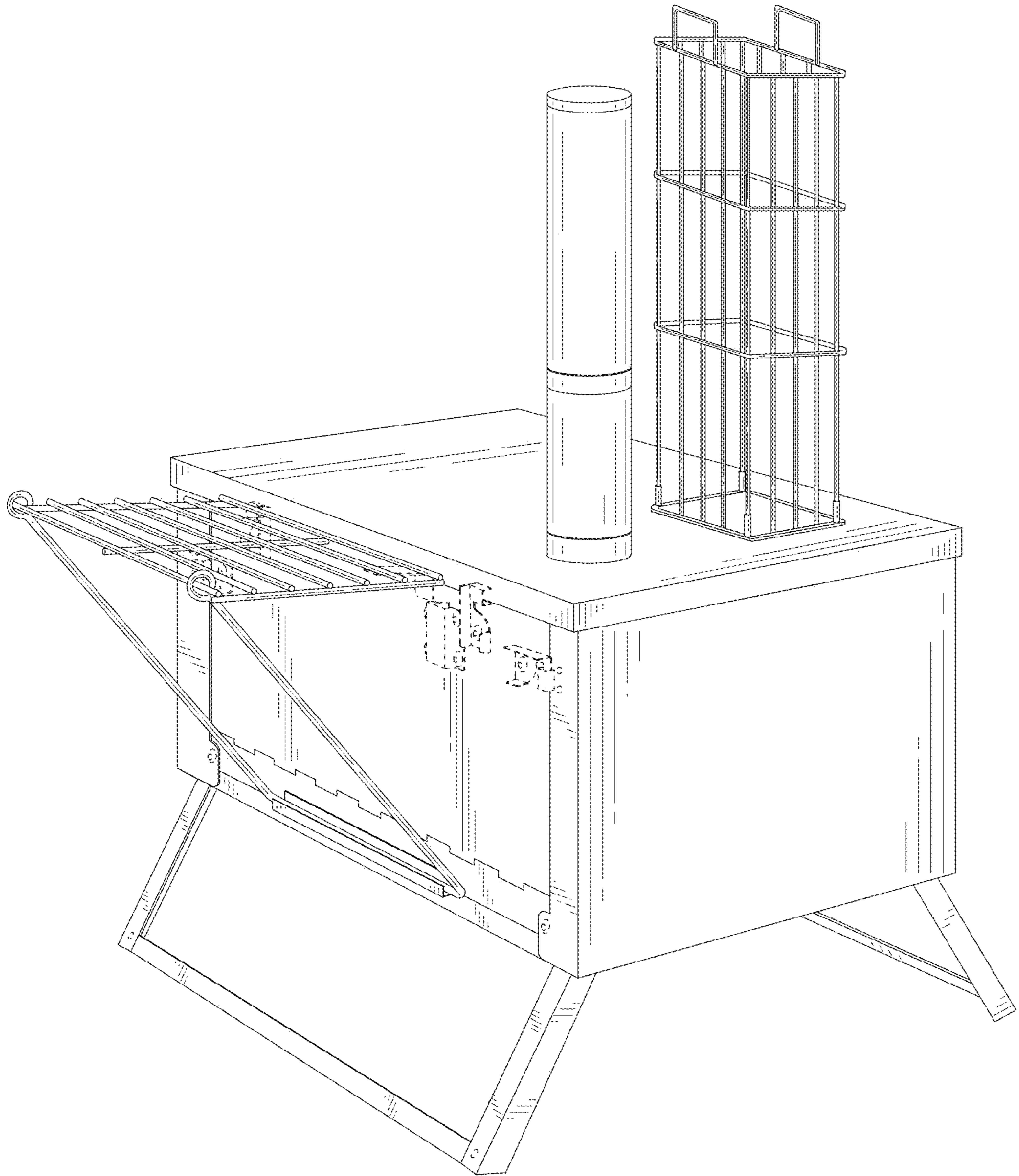


FIG. 2

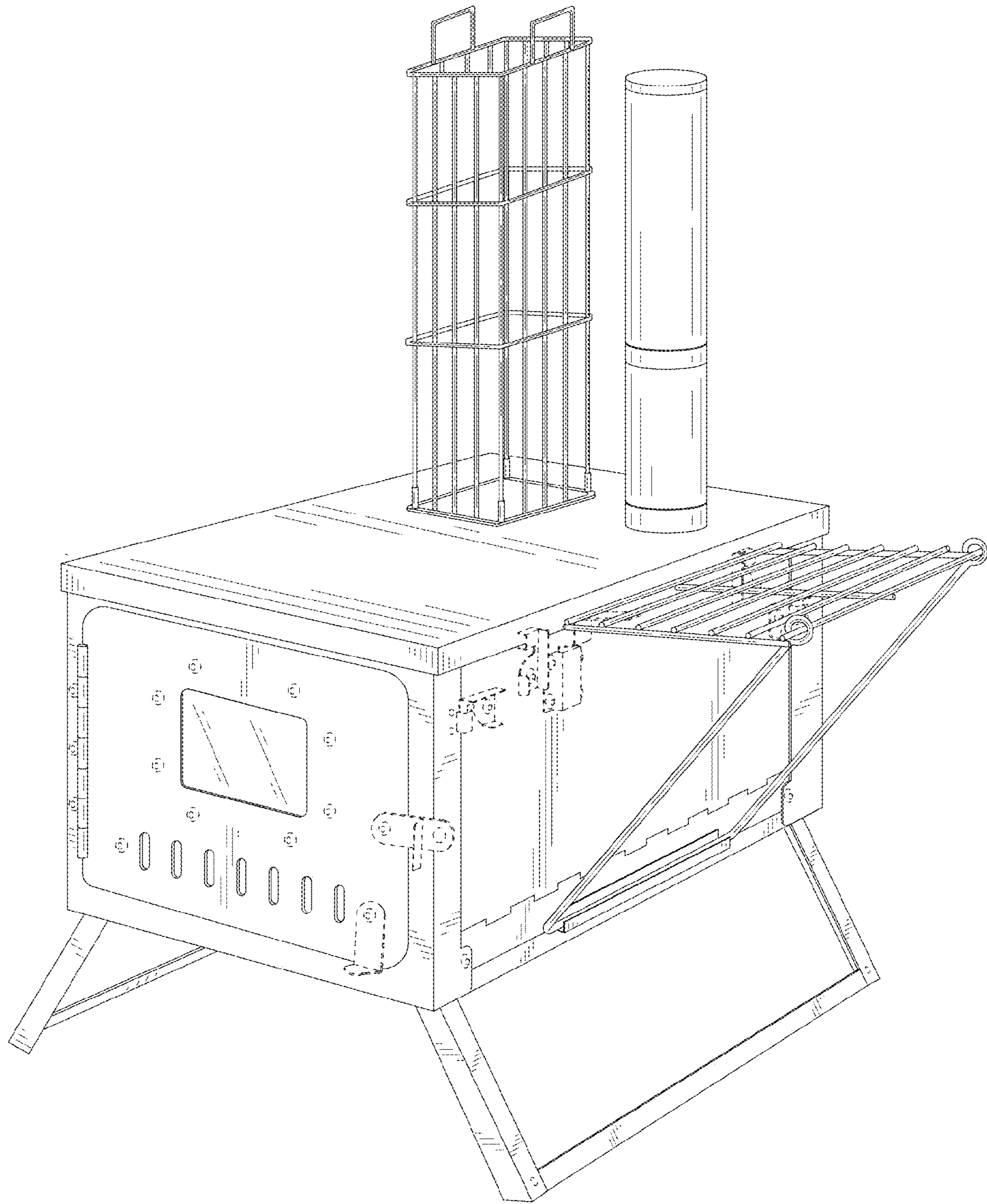


FIG. 3

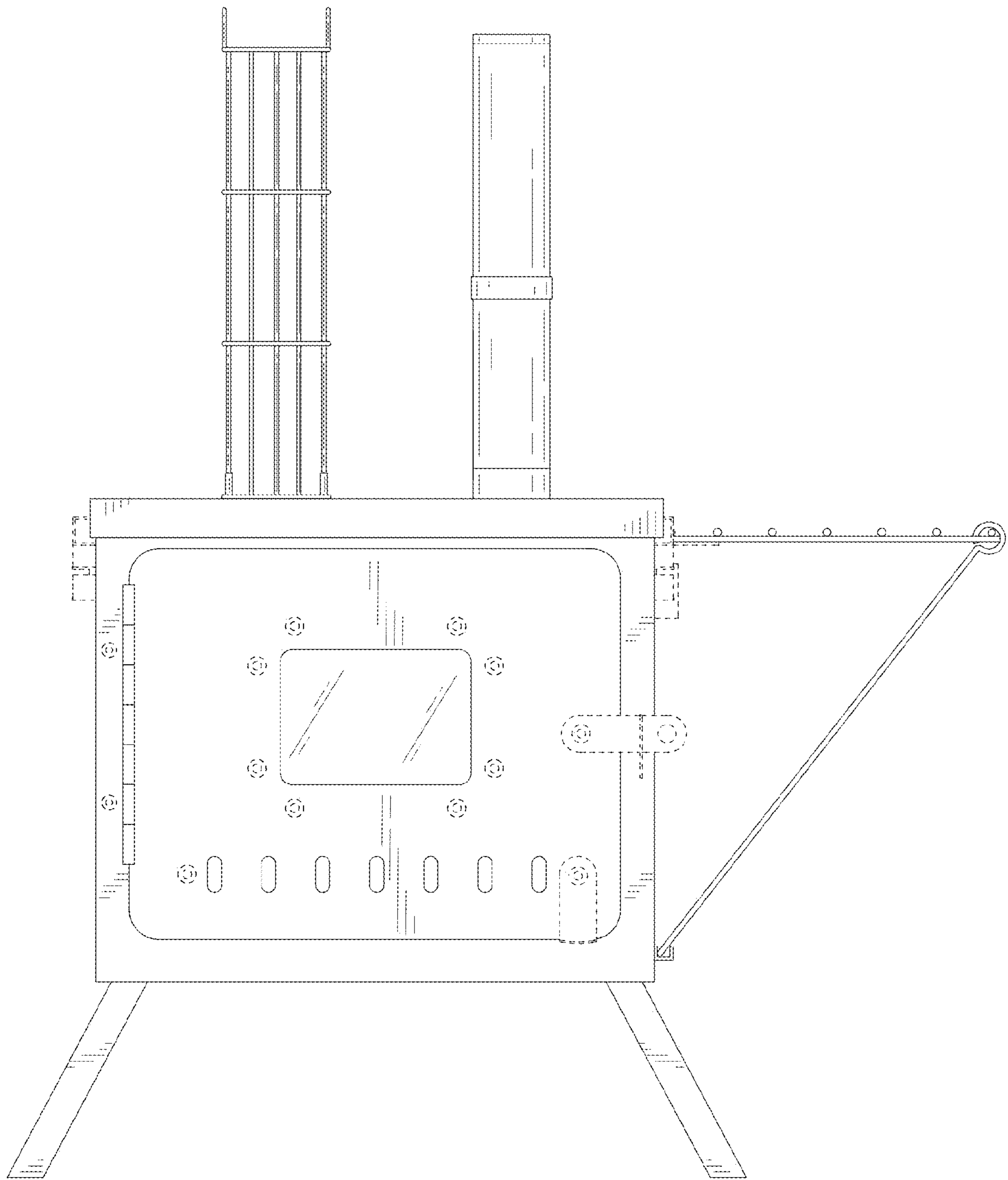


FIG. 4

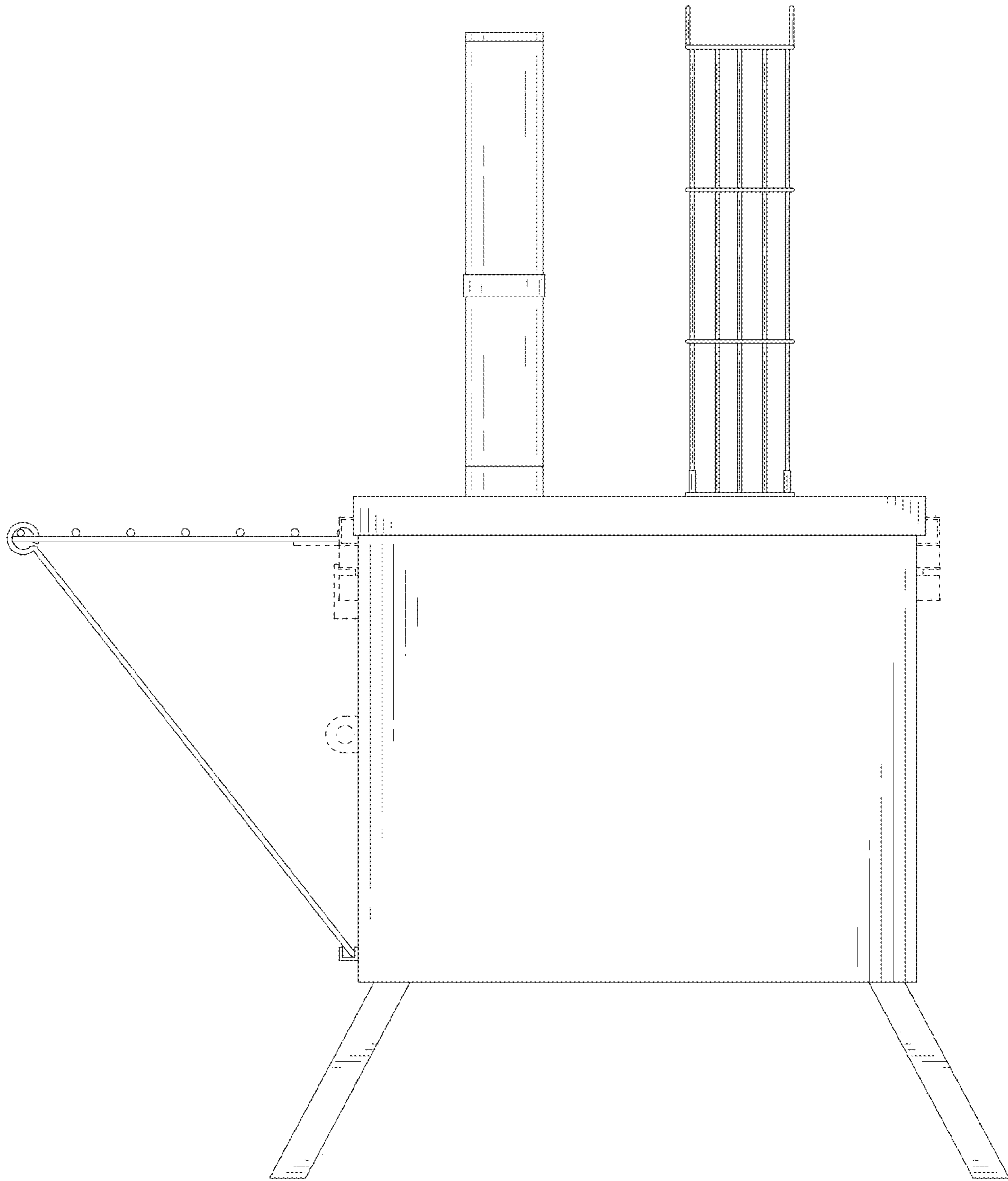


FIG. 5

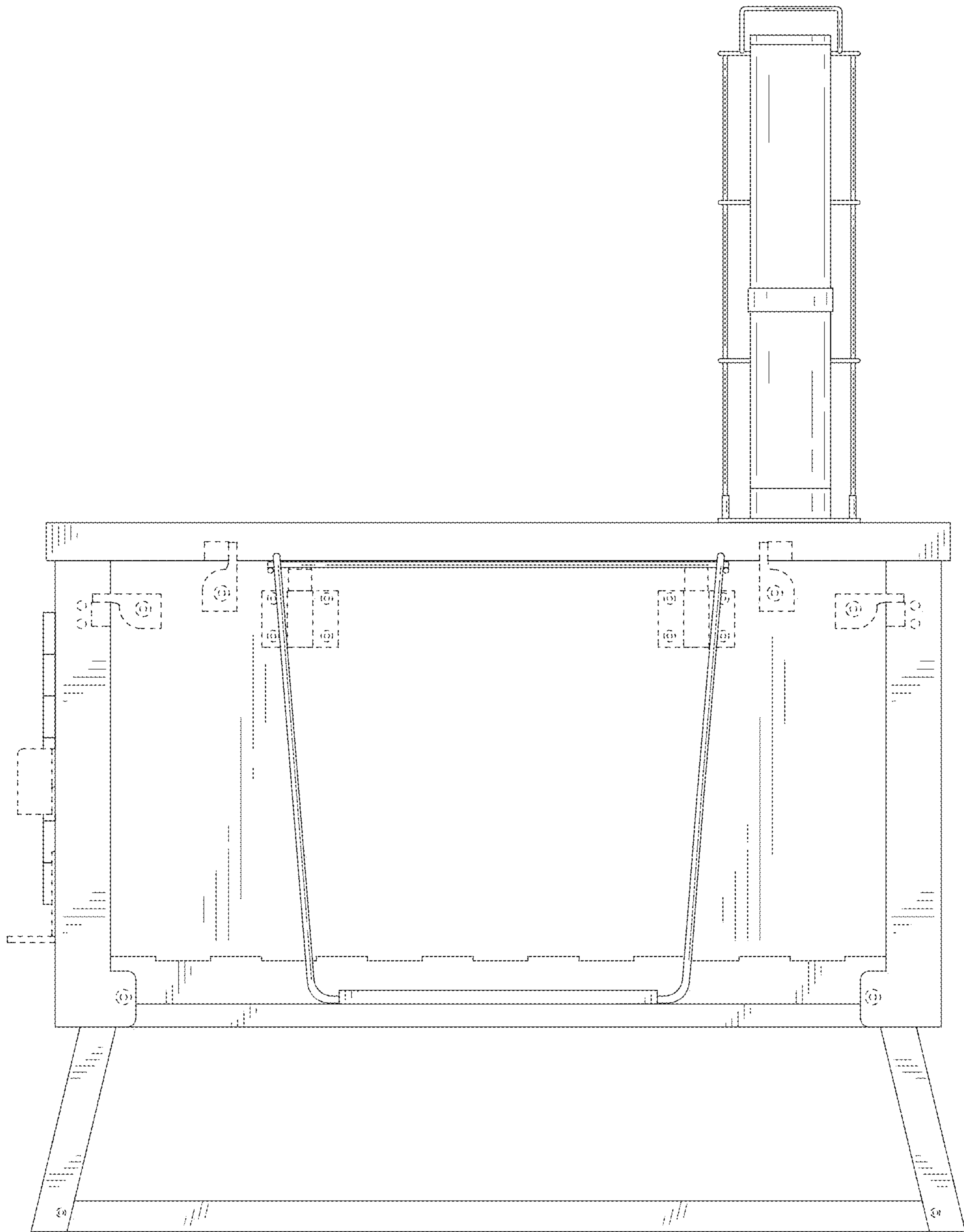


FIG. 6

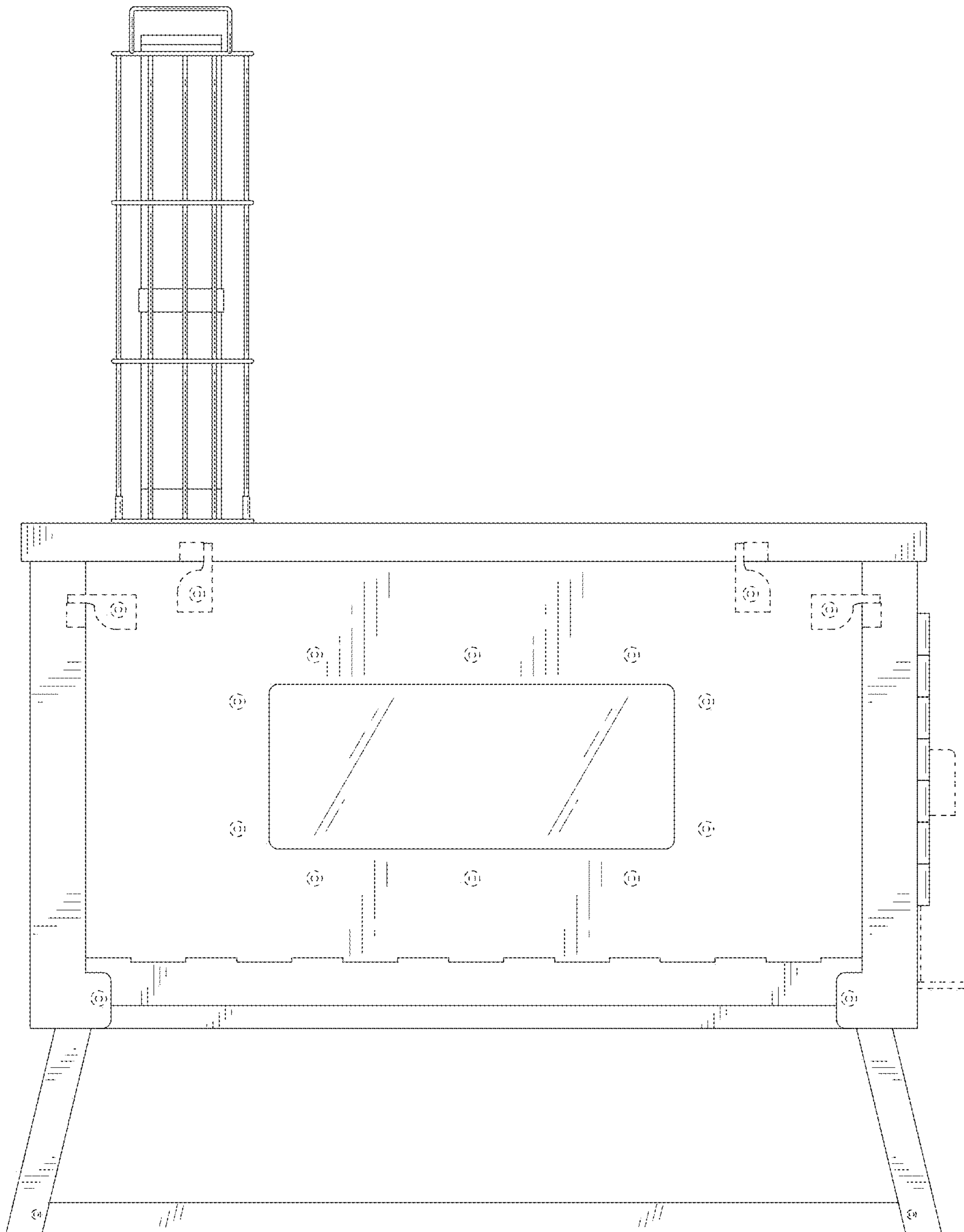


FIG. 7

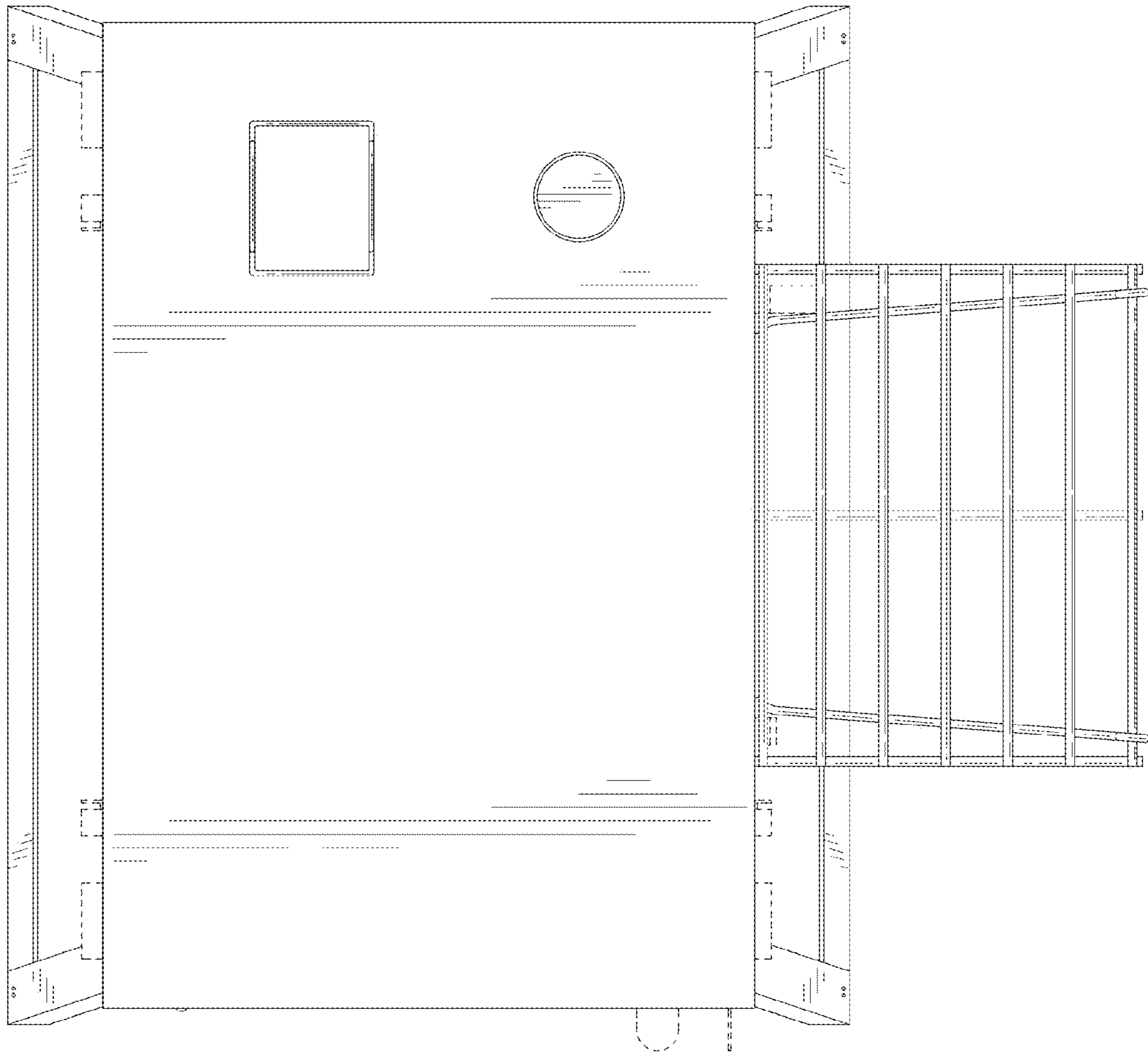


FIG. 8

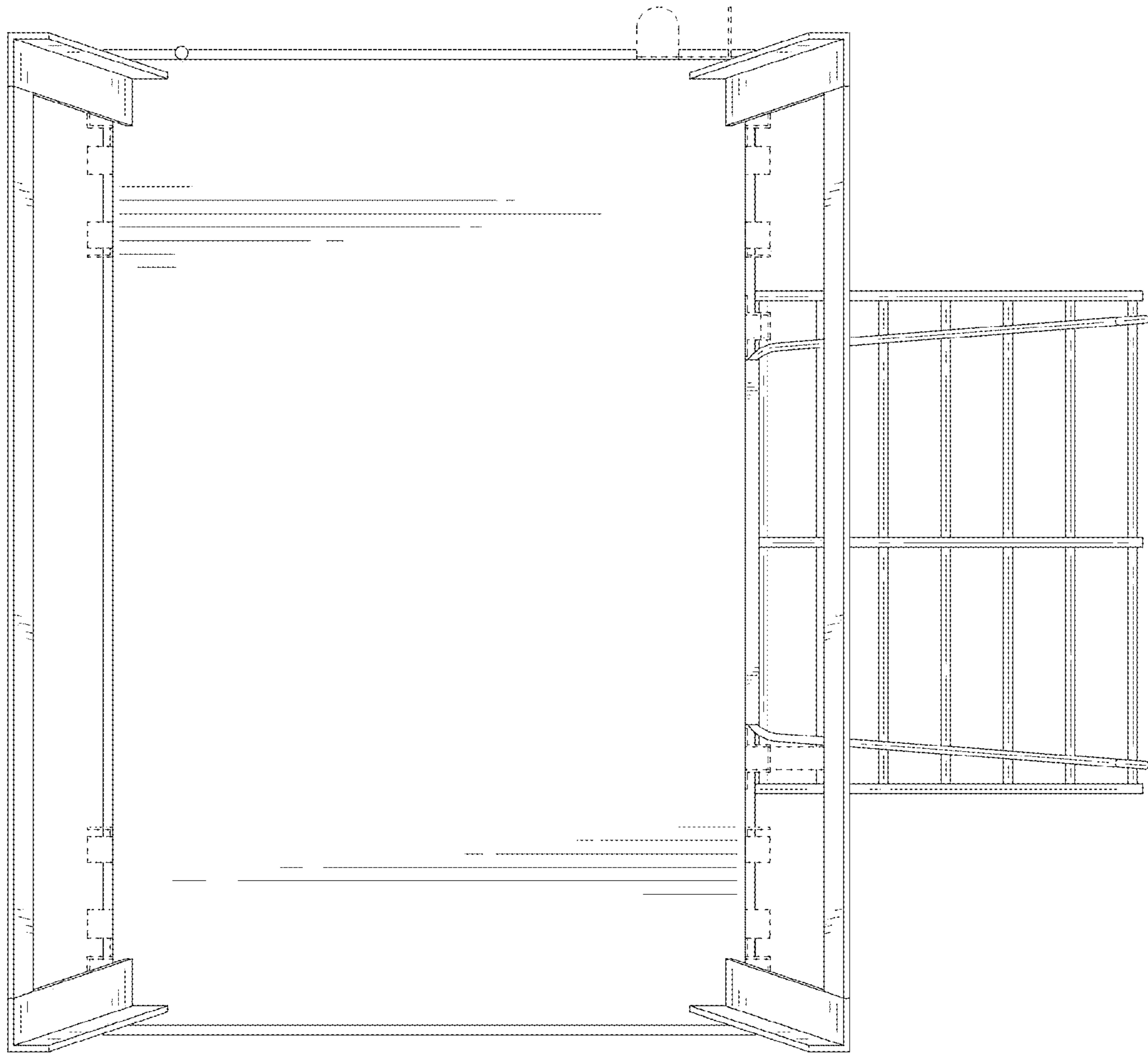


FIG. 9