



US00D938001S

(12) **United States Design Patent**  
**Fu et al.**

(10) **Patent No.:** **US D938,001 S**

(45) **Date of Patent:** **\*\* Dec. 7, 2021**

(54) **FOLDING TOILET CUSHION**

(71) Applicants: **Junrong Fu**, Jinhua (CN); **Jiajian Fu**, Zhejiang (CN); **Yanwen Luo**, Zhejiang (CN); **Huan Sun**, Anhui (CN)

(72) Inventors: **Junrong Fu**, Jinhua (CN); **Jiajian Fu**, Zhejiang (CN); **Yanwen Luo**, Zhejiang (CN); **Huan Sun**, Anhui (CN)

(73) Assignee: **ZHEJIANG YIWU SHUMEI JIA TECHNOLOGY SHARE CO., LTD**, Yiwu (CN)

(\*\*) Term: **15 Years**

(21) Appl. No.: **29/756,372**

(22) Filed: **Oct. 28, 2020**

(51) **LOC (13) Cl.** ..... **23-02**

(52) **U.S. Cl.**  
USPC ..... **D23/311**

(58) **Field of Classification Search**  
USPC ..... D23/295, 300–301, 311–312; D8/307  
See application file for complete search history.

(56) **References Cited**

**U.S. PATENT DOCUMENTS**

D329,187 S \* 9/1992 Sorensen ..... D8/307  
D814,616 S \* 4/2018 Lewis ..... D23/311

D816,819 S \* 5/2018 Xu ..... D23/311  
D832,411 S \* 10/2018 Key ..... D23/296  
D896,357 S \* 9/2020 Dungee ..... D23/311  
2020/0178739 A1 \* 6/2020 Evans ..... A47K 13/005  
2021/0145224 A1 \* 5/2021 McConnell ..... A47K 13/005

\* cited by examiner

*Primary Examiner* — Robert A Delehanty

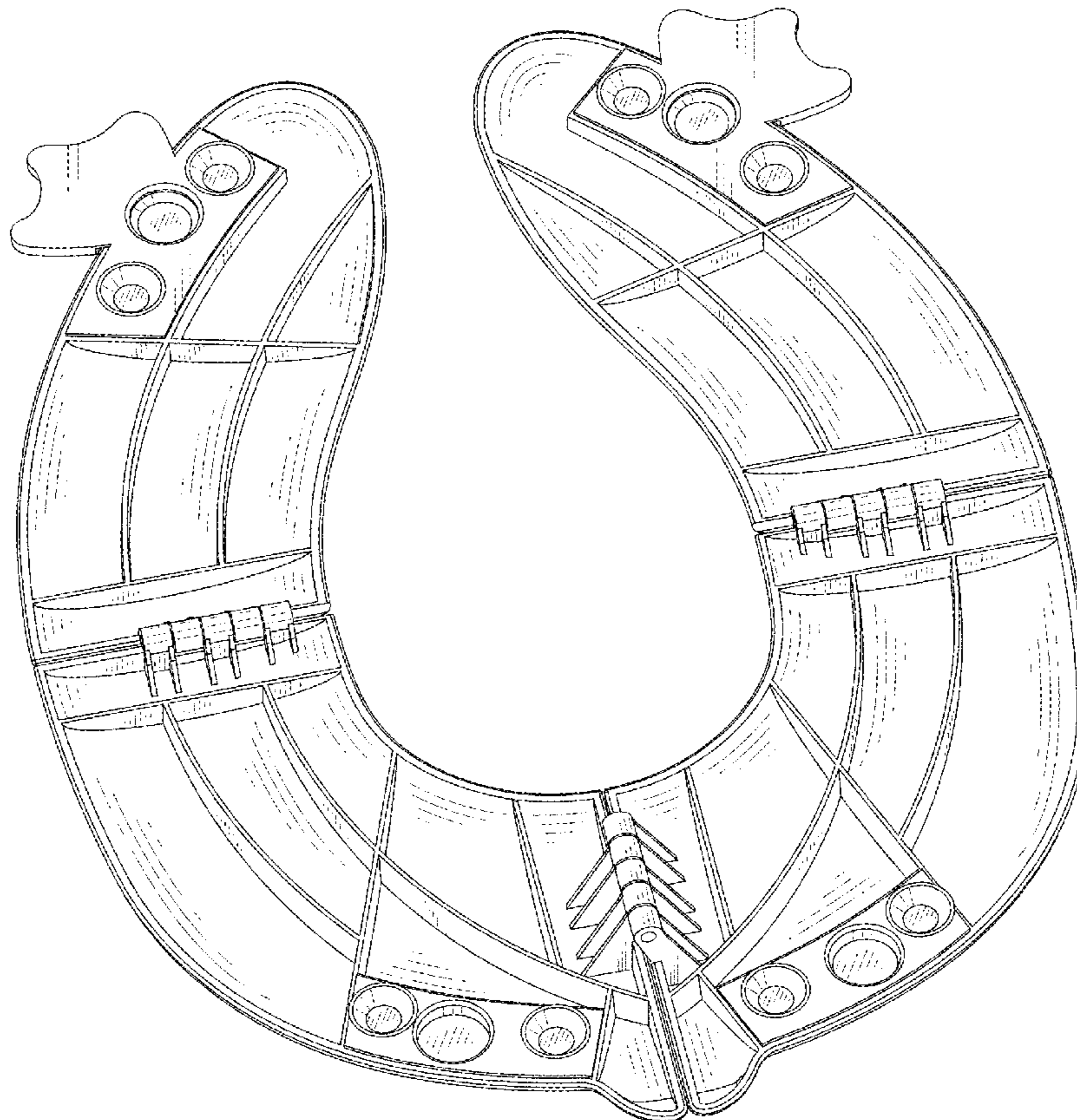
(57) **CLAIM**

The ornamental design for a folding toilet cushion, as shown and described.

**DESCRIPTION**

FIG. 1 is a bottom perspective view of a folding toilet cushion showing our new design;  
FIG. 2 is a bottom plan view thereof;  
FIG. 3 is a top plan view thereof;  
FIG. 4 is a side elevation view thereof;  
FIG. 5 is an opposite side elevation view thereof;  
FIG. 6 is a rear elevation view thereof;  
FIG. 7 is a front elevation view thereof;  
FIG. 8 is a top perspective view showing the toilet cushion in a half-folded condition thereof; and,  
FIG. 9 is a top perspective view showing the toilet cushion in a quarter-folded condition thereof.

**1 Claim, 9 Drawing Sheets**



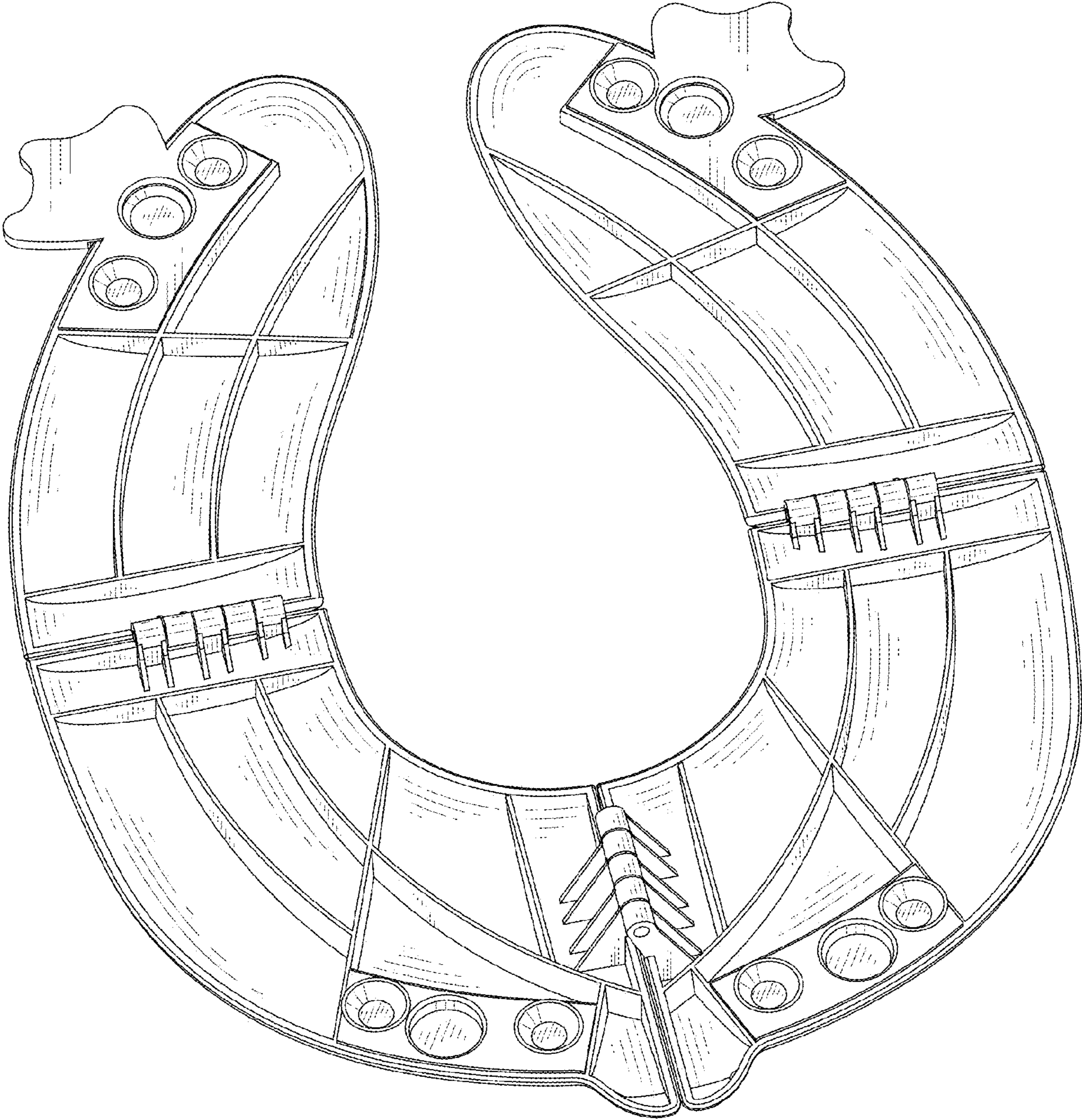


FIG. 1



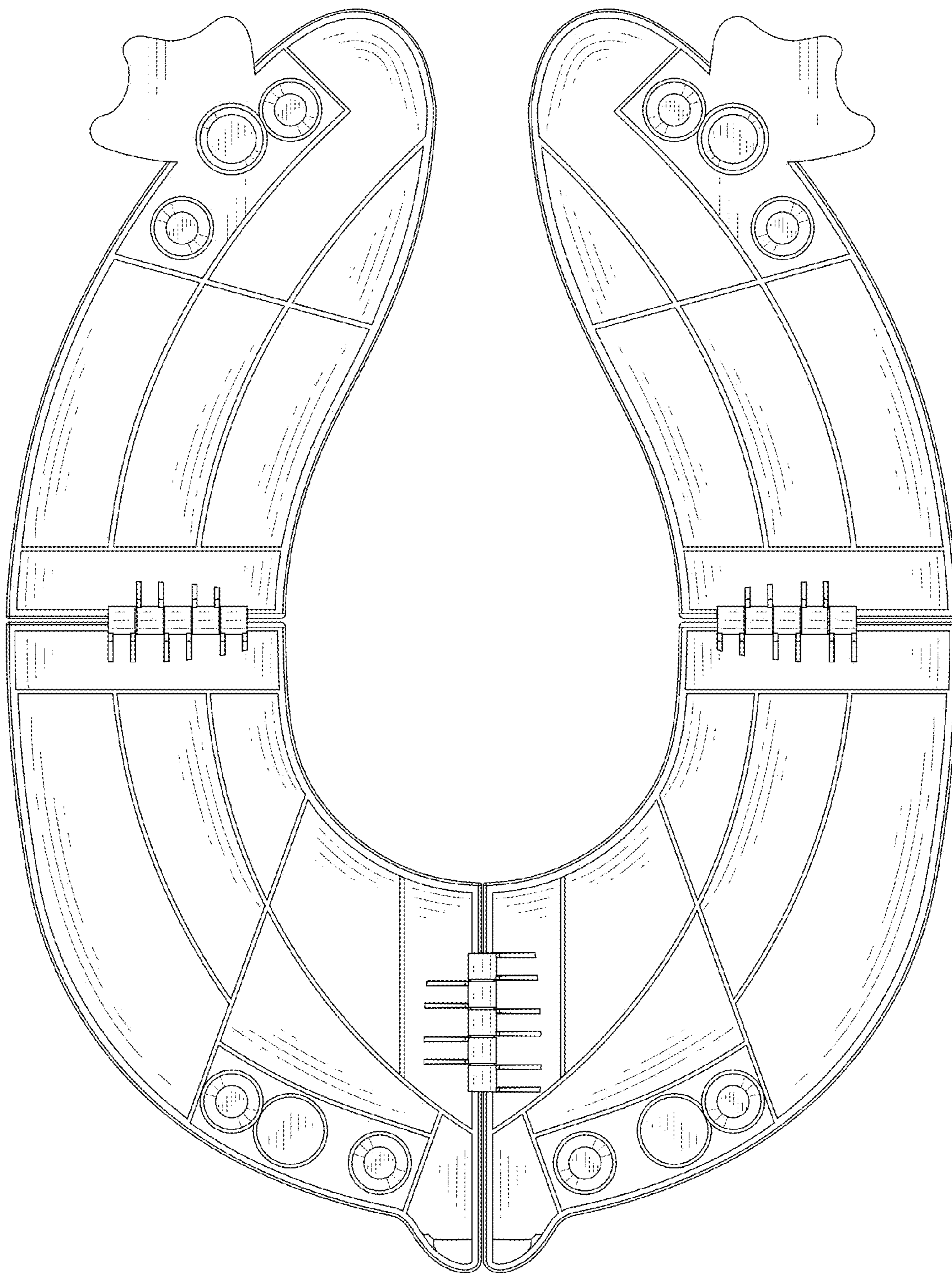


FIG.2

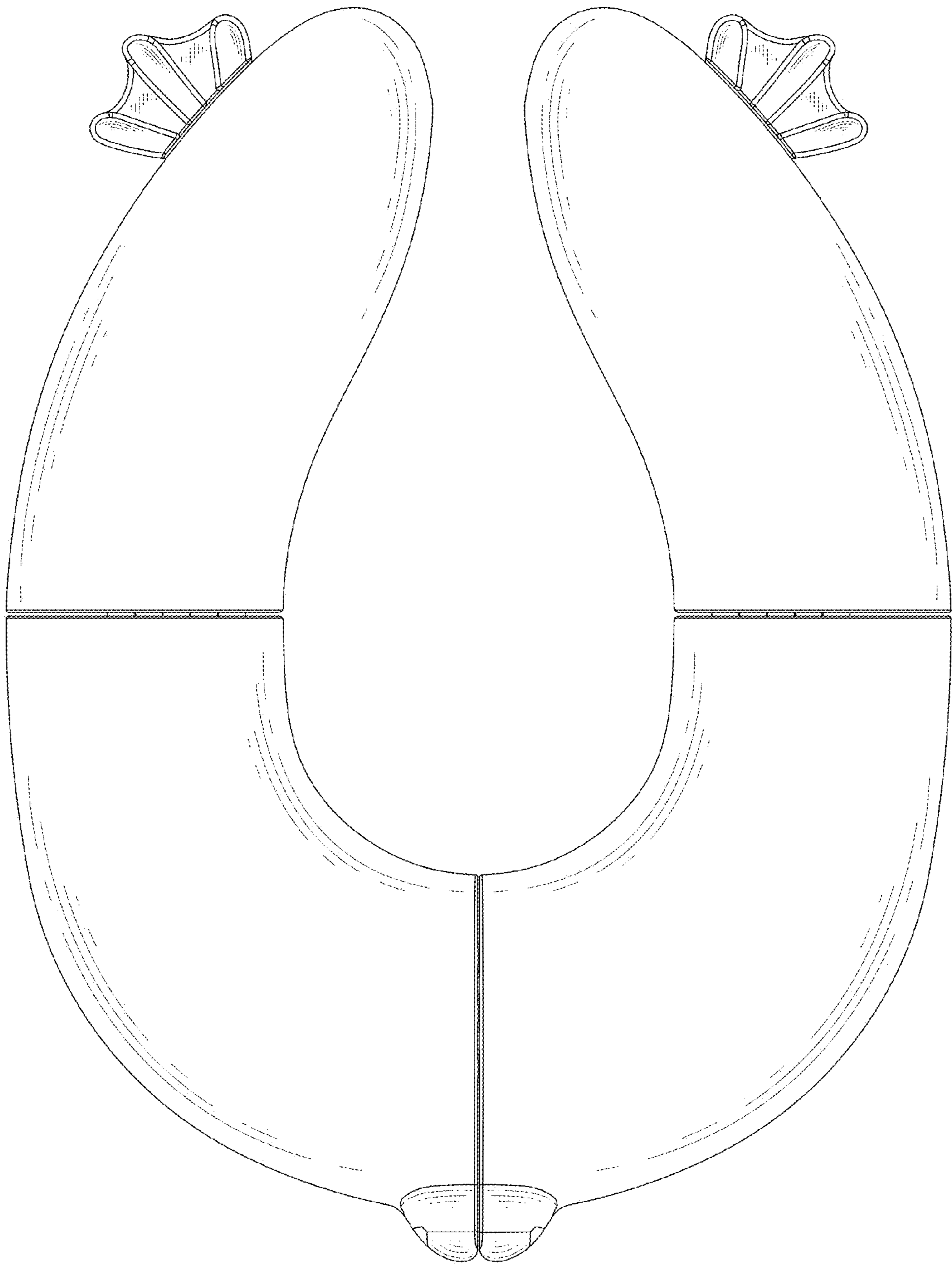


FIG.3

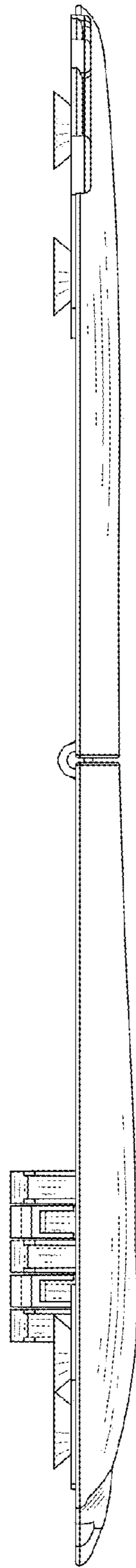


FIG.4

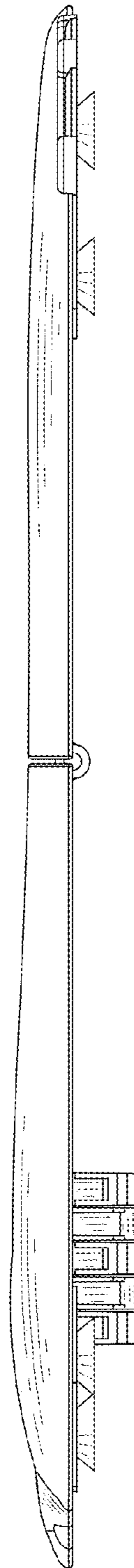


FIG.5

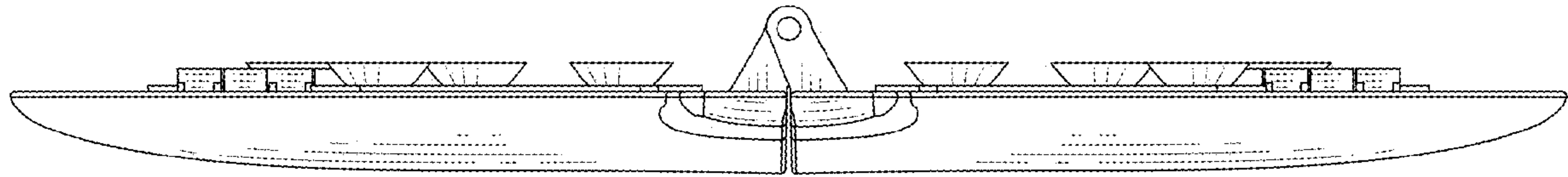


FIG.6

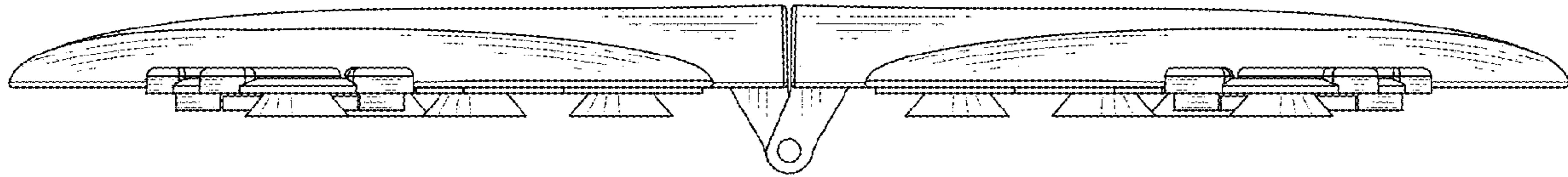


FIG.7



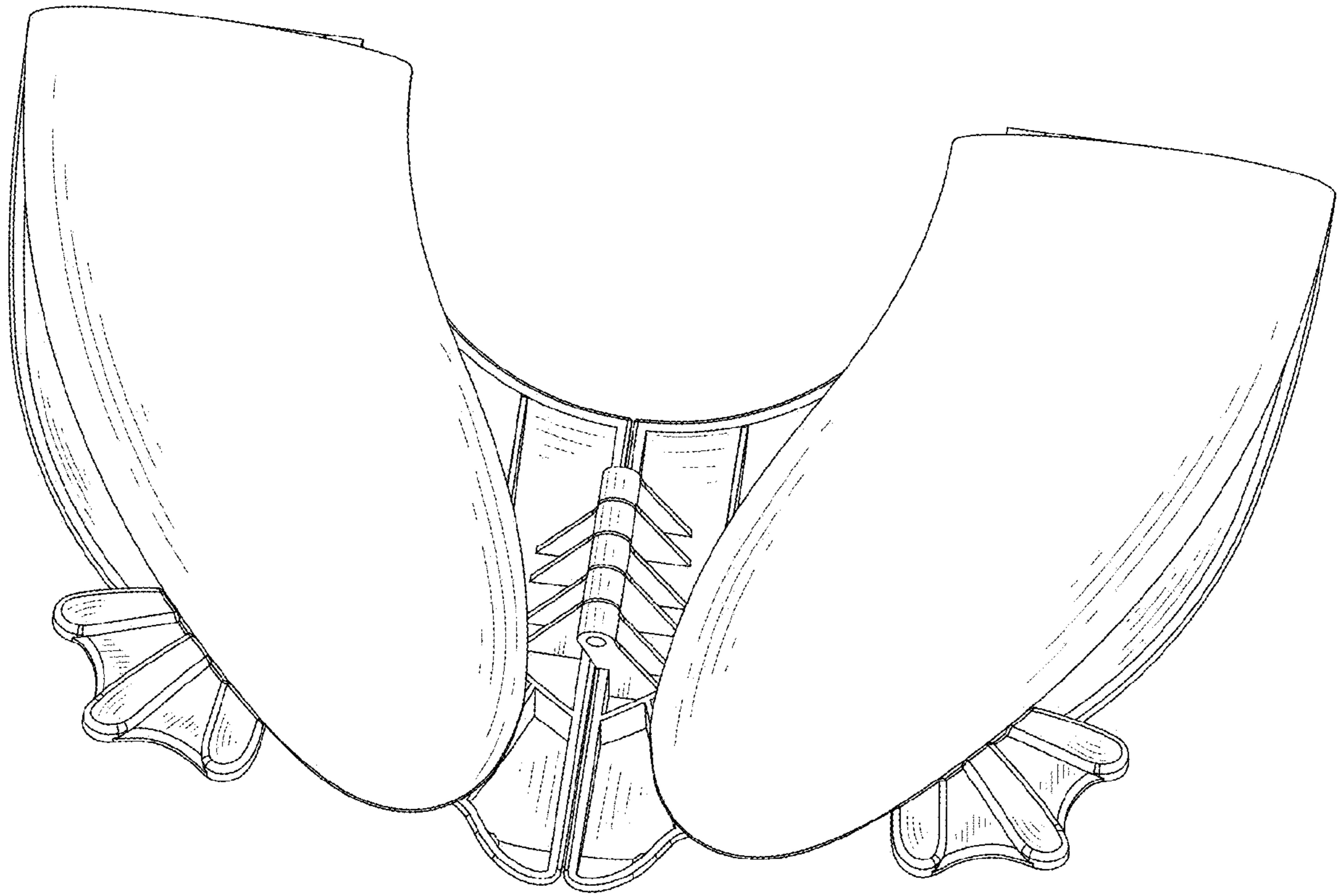


FIG.8

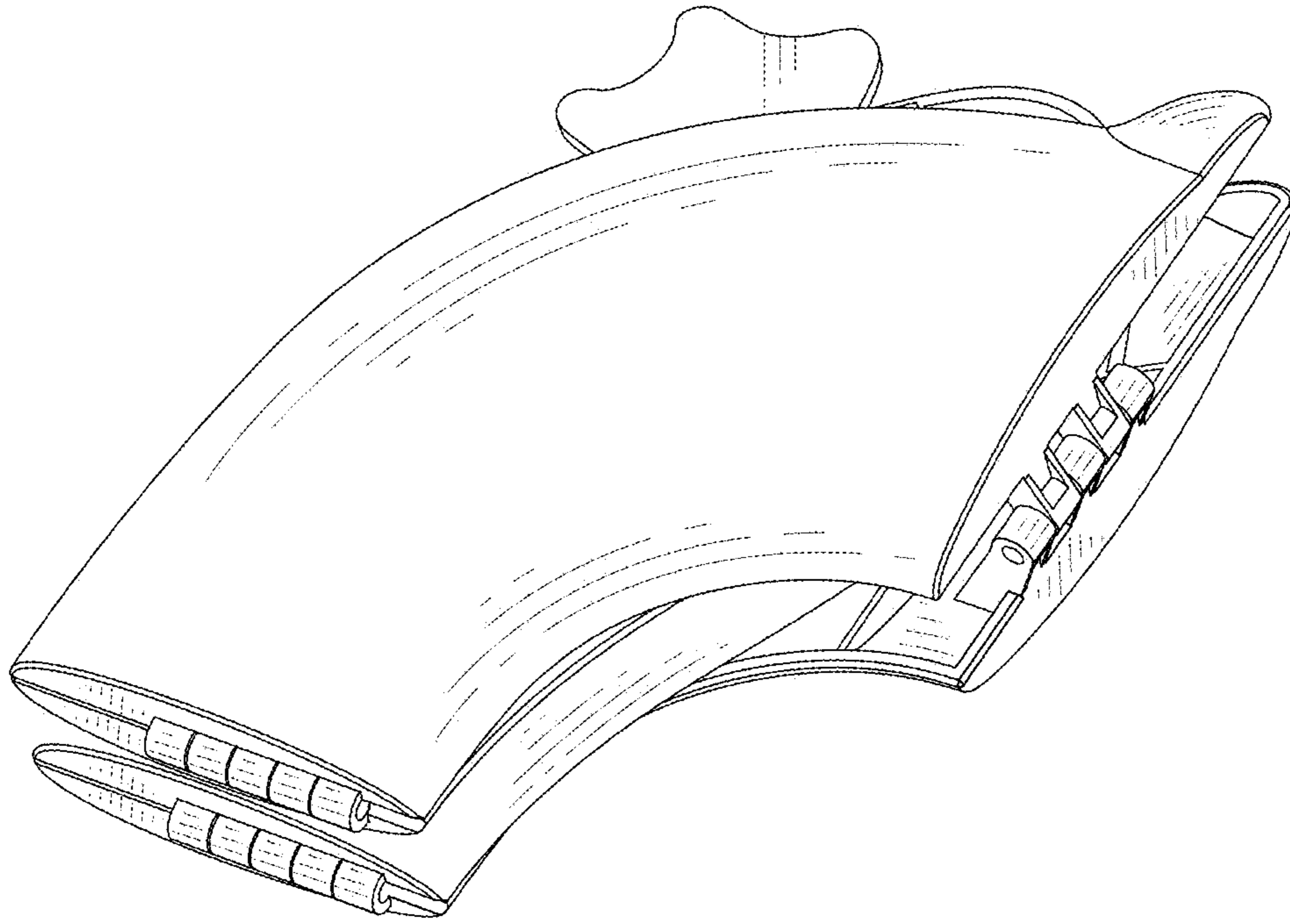


FIG.9