



US00D938000S

(12) **United States Design Patent** (10) **Patent No.:** **US D938,000 S**
Bucher (45) **Date of Patent:** **** Dec. 7, 2021**

- (54) **BATHTUB**
- (71) Applicant: **AS America, Inc.**, Piscataway, NJ (US)
- (72) Inventor: **Christophe Bucher**, Hillsborough, NJ (US)
- (73) Assignee: **AS America, Inc.**, Piscataway, NJ (US)
- (**) Term: **15 Years**
- (21) Appl. No.: **29/712,460**
- (22) Filed: **Nov. 8, 2019**

D633,604 S 3/2011 Hoh et al.
 D638,524 S 5/2011 Thomas
 D705,404 S * 5/2014 Anzellini D23/293.1
 (Continued)

OTHER PUBLICATIONS

American Standard Town Square S CollectionTown Square Acrylic Freestanding Soaker Bathtub [Jul. 21, 2021] found online [Jul. 21, 2021]—<https://www.americanstandard-us.com/bathroom/bathtubs/town-square-s-freestanding-tub-33545>.*
 (Continued)

Primary Examiner — John A Voytek
 (74) *Attorney, Agent, or Firm* — Tyler A. Stevenson; Anna-lisa L. Gallo

Related U.S. Application Data

- (63) Continuation of application No. 29/625,817, filed on Nov. 13, 2017, now Pat. No. Des. 872,242.
- (51) **LOC (13) Cl.** **23-02**
- (52) **U.S. Cl.**
USPC **D23/304**
- (58) **Field of Classification Search**
USPC ... D23/277–279, 280.1, 280.2, 280.3, 280.4, D23/284, 293.1, 304–307
CPC A47K 3/006; A47K 3/02; A47K 3/022; E05C 9/16
See application file for complete search history.

CLAIM

(57) The ornamental design for a bathtub, as shown and described.

DESCRIPTION

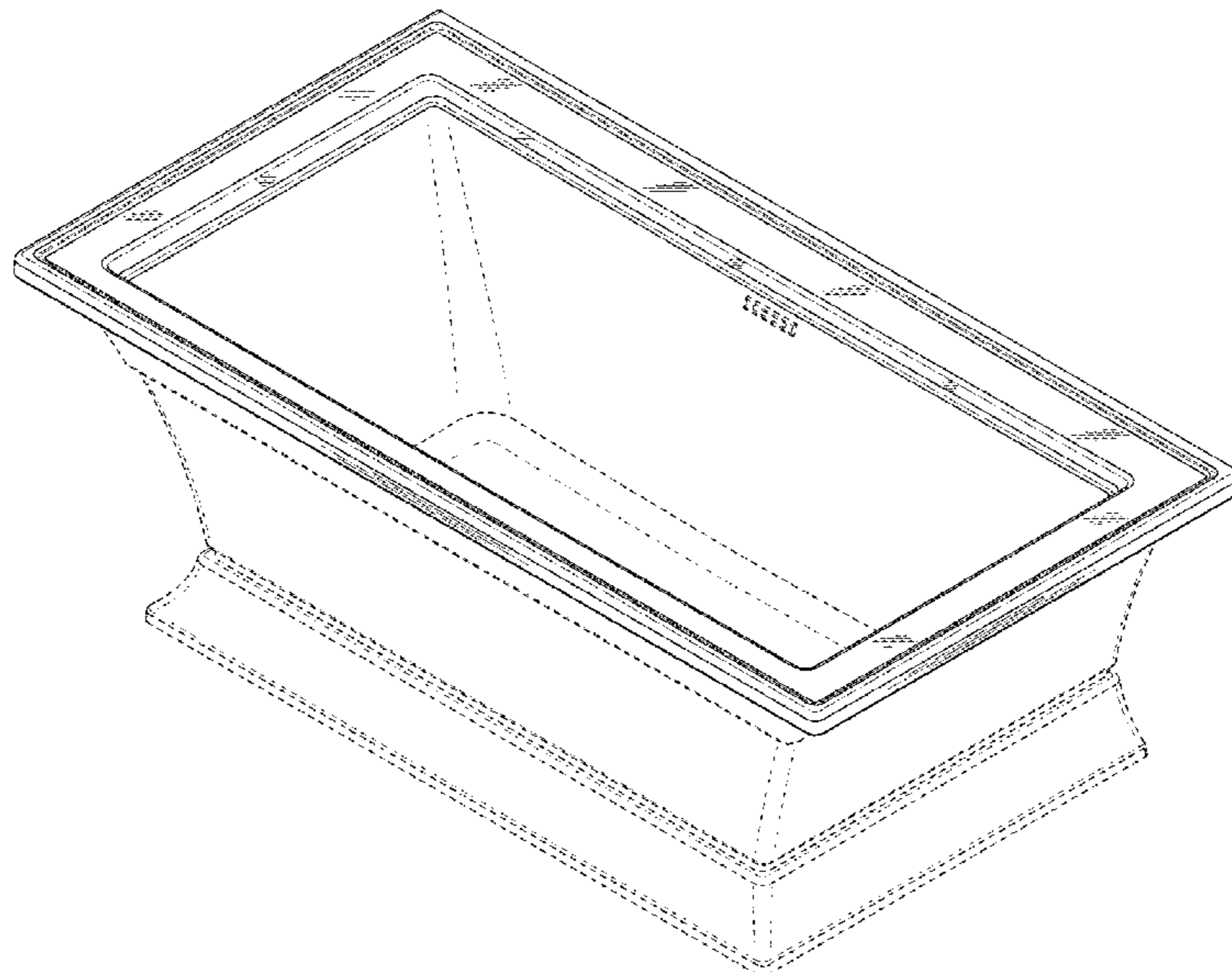
FIG. 1 is a perspective view of a bathtub showing my new design;
 FIG. 2 is a front elevational view of the bathtub shown in FIG. 1;
 FIG. 3 is a rear elevational view of the bathtub shown in FIG. 1;
 FIG. 4 is a right-side elevational view of the bathtub shown in FIG. 1;
 FIG. 5 is a left-side elevational view of the bathtub shown in FIG. 1;
 FIG. 6 is a top plan view of the bathtub shown in FIG. 1; and,
 FIG. 7 is a bottom plan view of the bathtub shown in FIG. 1.
 The broken lines immediately adjacent the shaded areas represent the bounds of the claimed design while all other broken lines are directed to environment and are for illustrative purposes only; the broken lines form no part of the claimed design.

(56) **References Cited**

U.S. PATENT DOCUMENTS

505,041 A	9/1893	Ferguson	
D482,763 S *	11/2003	Thomas	D23/280.1
D484,954 S *	1/2004	Painter	D23/277
D519,192 S *	4/2006	Kergoet	D23/280.1
D560,768 S	1/2008	Smith	
D564,639 S	3/2008	Bruce	
D594,939 S *	6/2009	Bates	D23/277
D594,940 S *	6/2009	Bates	D23/277
D633,602 S	3/2011	Miura et al.	
D633,603 S	3/2011	Su	

1 Claim, 4 Drawing Sheets



(56)

References Cited

U.S. PATENT DOCUMENTS

D725,754 S 3/2015 Spangler
D728,760 S 5/2015 Spangler
D738,993 S * 9/2015 Spangler D23/277
D834,157 S 11/2018 L'Henaff et al.
D866,721 S * 11/2019 Bucher D23/280.1
D872,242 S * 1/2020 Bucher D23/277
D887,533 S * 6/2020 Alves Moreira D23/277

OTHER PUBLICATIONS

Lush Free Standing Bathtub (VA1045); http://www.valleyacrylic.com/store/index.php?route=product/product&product_id=619&search=lush&description=true, downloaded Oct. 5, 2017.

DMSA Professional Acrylic Bathtub Manufacturer; <http://en.chinaomsa.com/product.asp>, downloaded Oct. 5, 2017.

Fleurco Sonnet Acrylic bathtub; http://designashower.com/uploads/tub/spec_pdf/30/Sonnet_BSO6039_Gen_Specs.pdf, downloaded Oct. 5, 2017.

Victoria + Albert Eldon bathtub; <https://vandabaths.com/us/americas/product/eldon/>, downloaded Oct. 5, 2017.

* cited by examiner

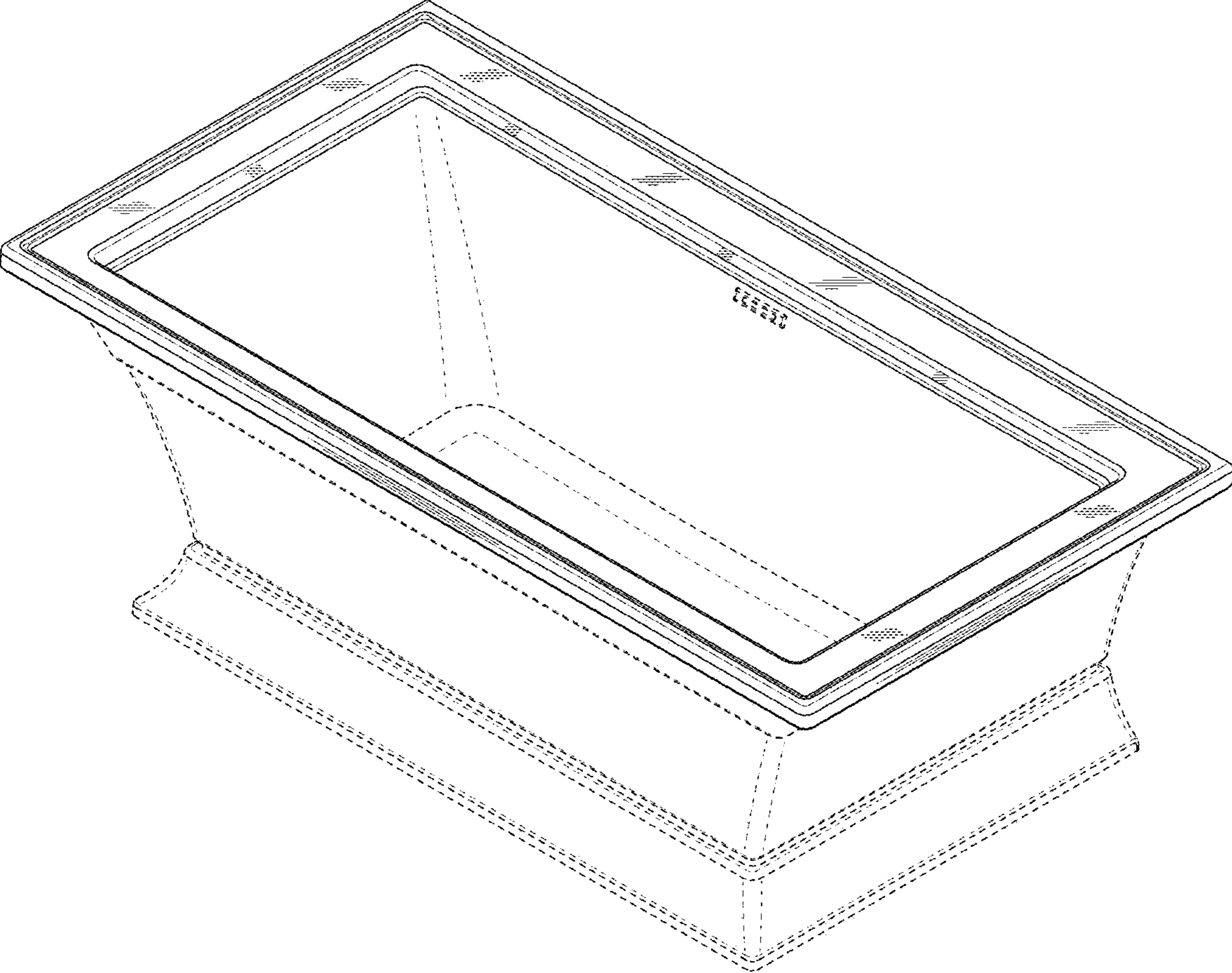


FIG. 1

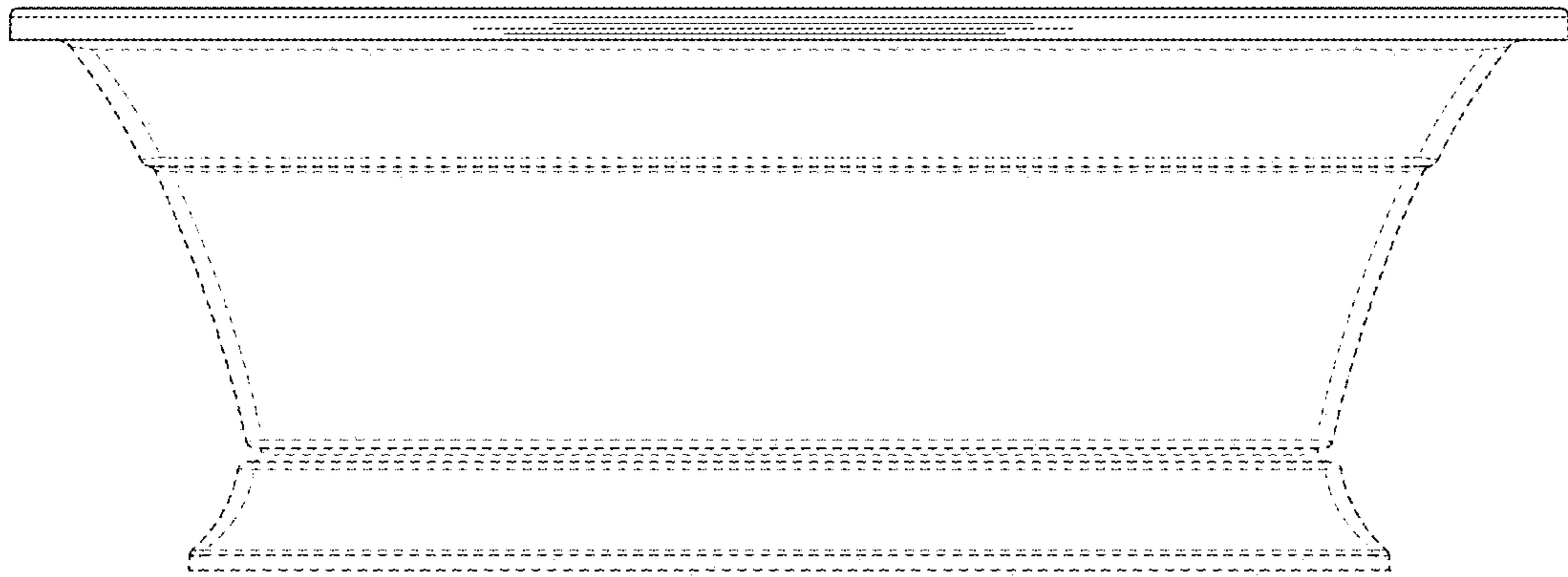


FIG. 2

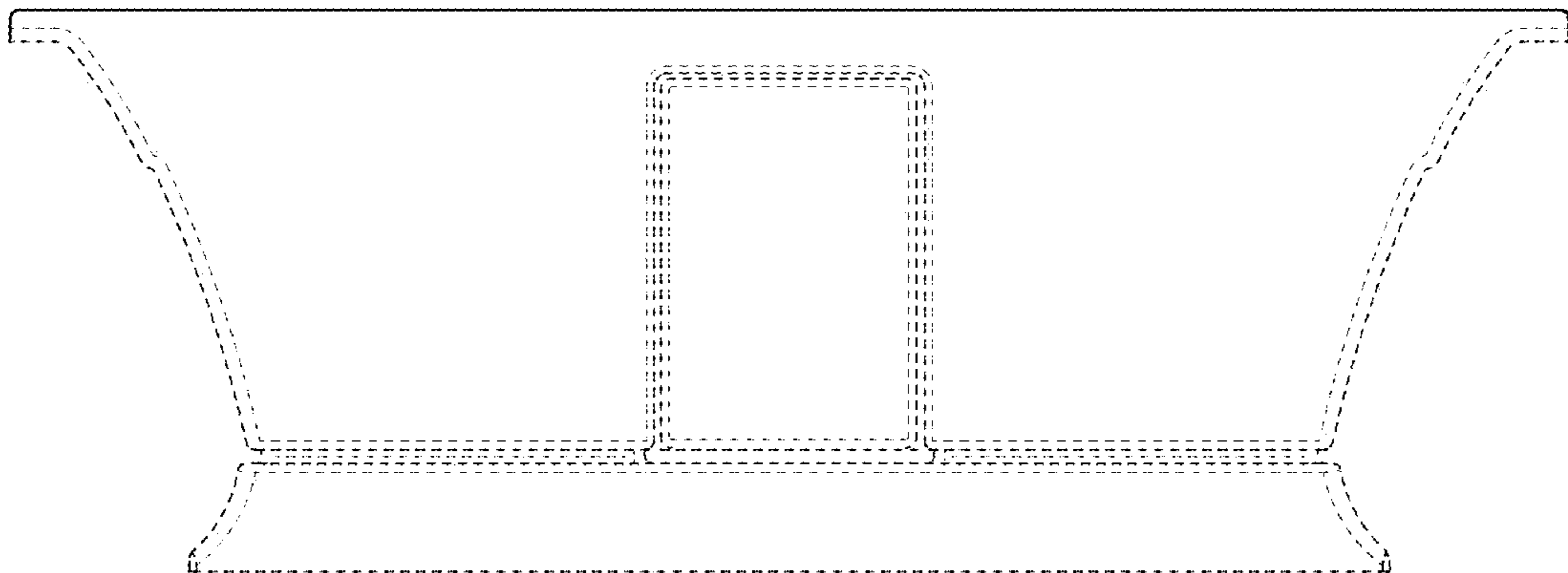


FIG. 3

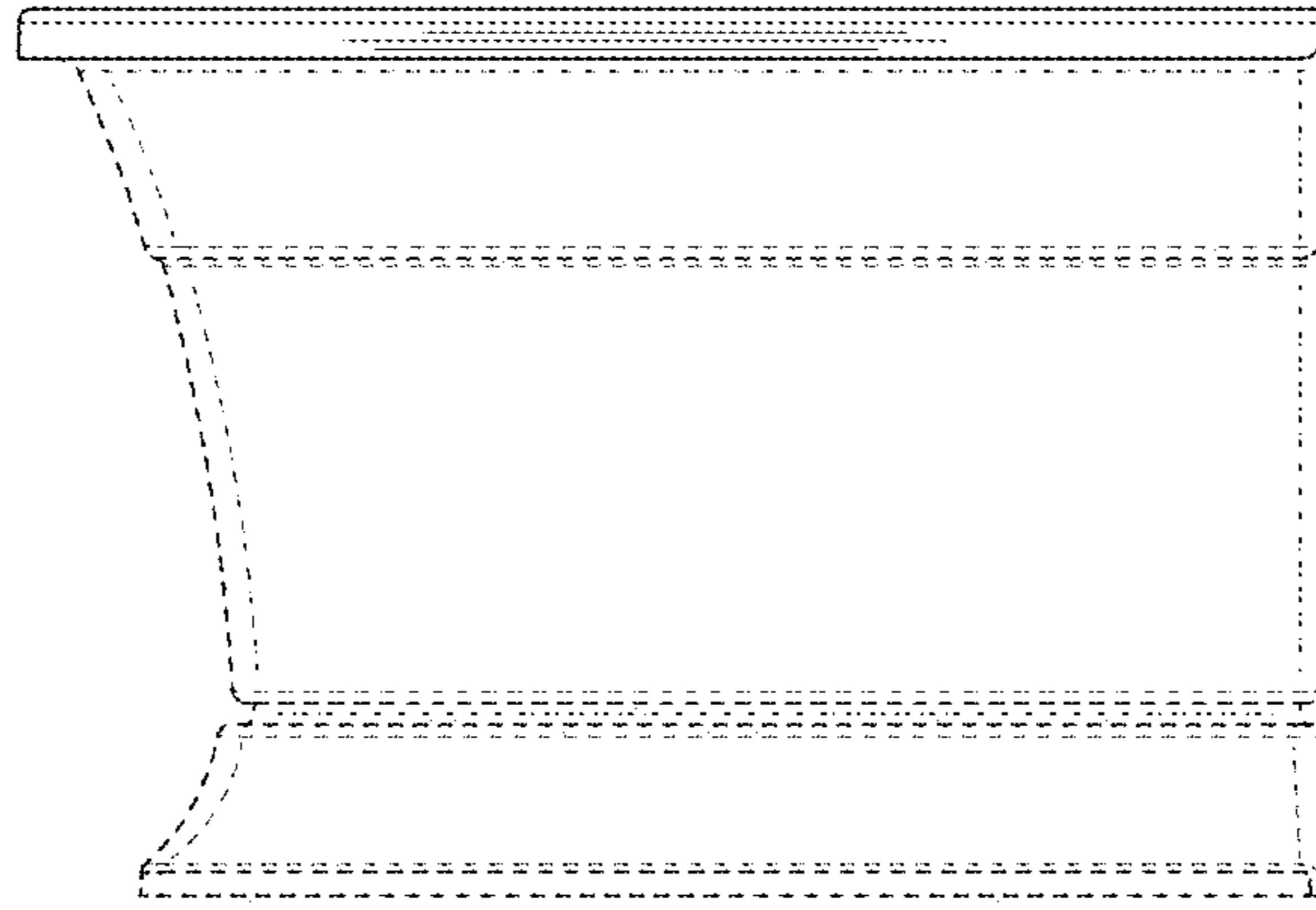


FIG. 4

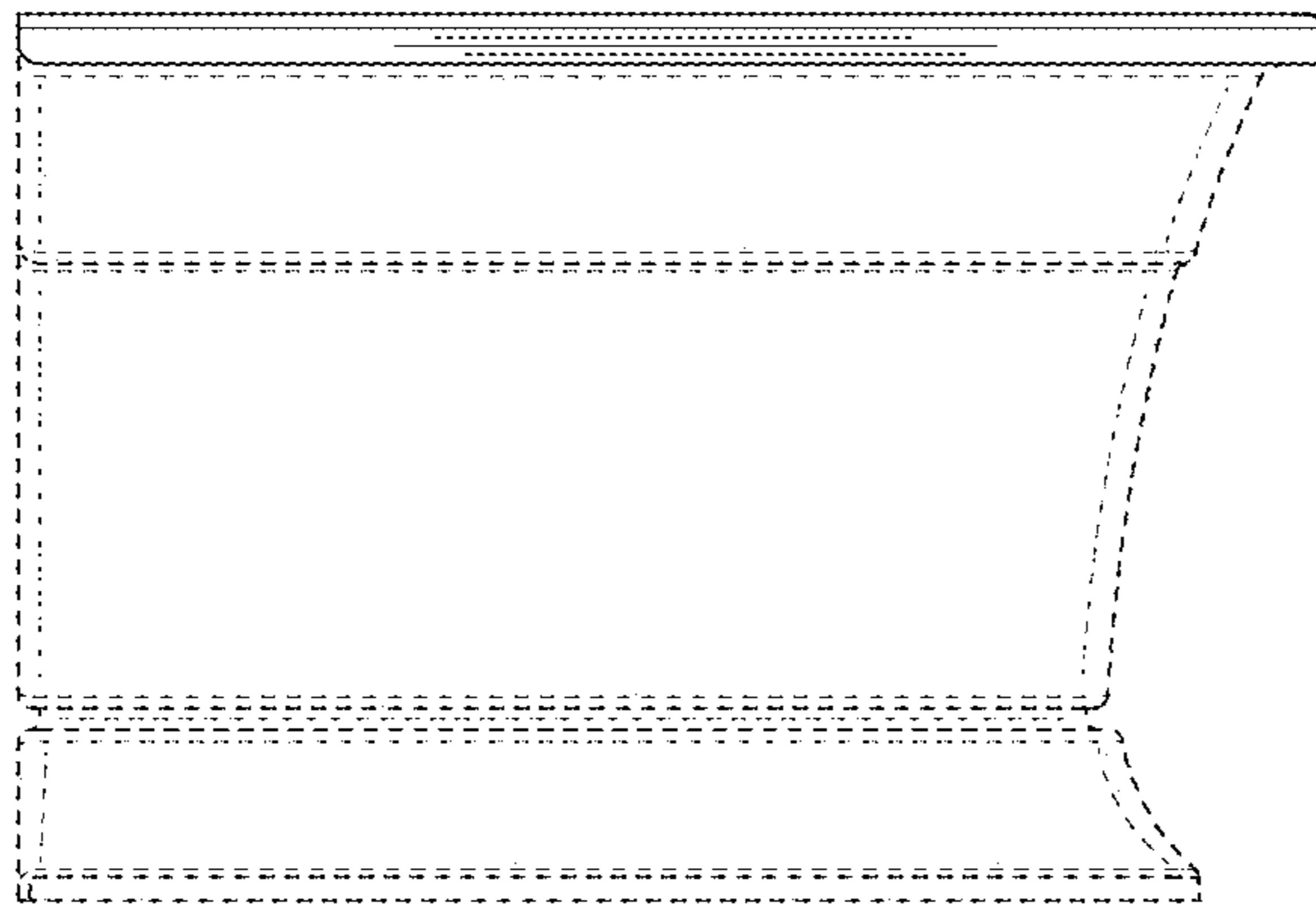


FIG. 5

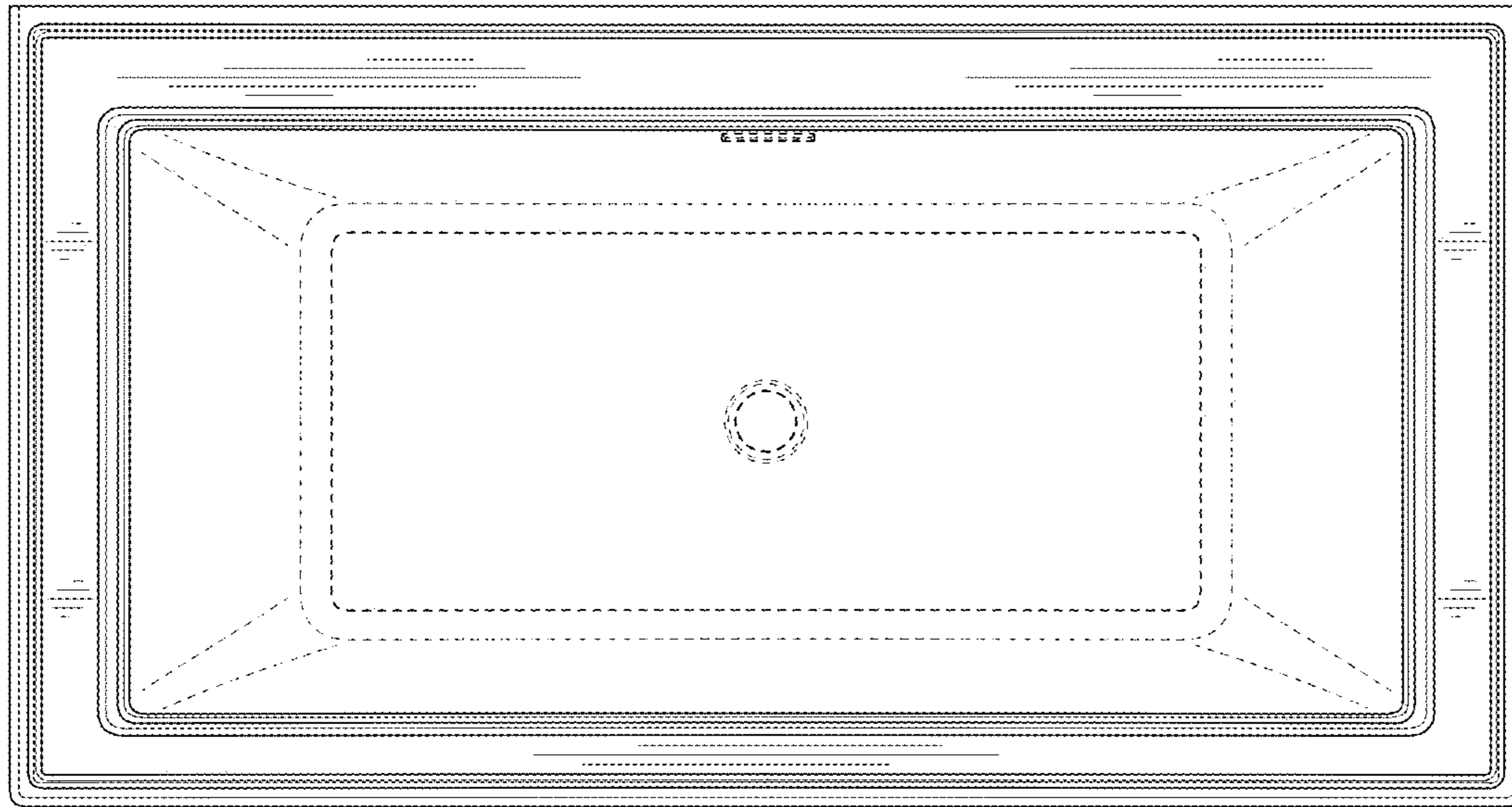


FIG. 6

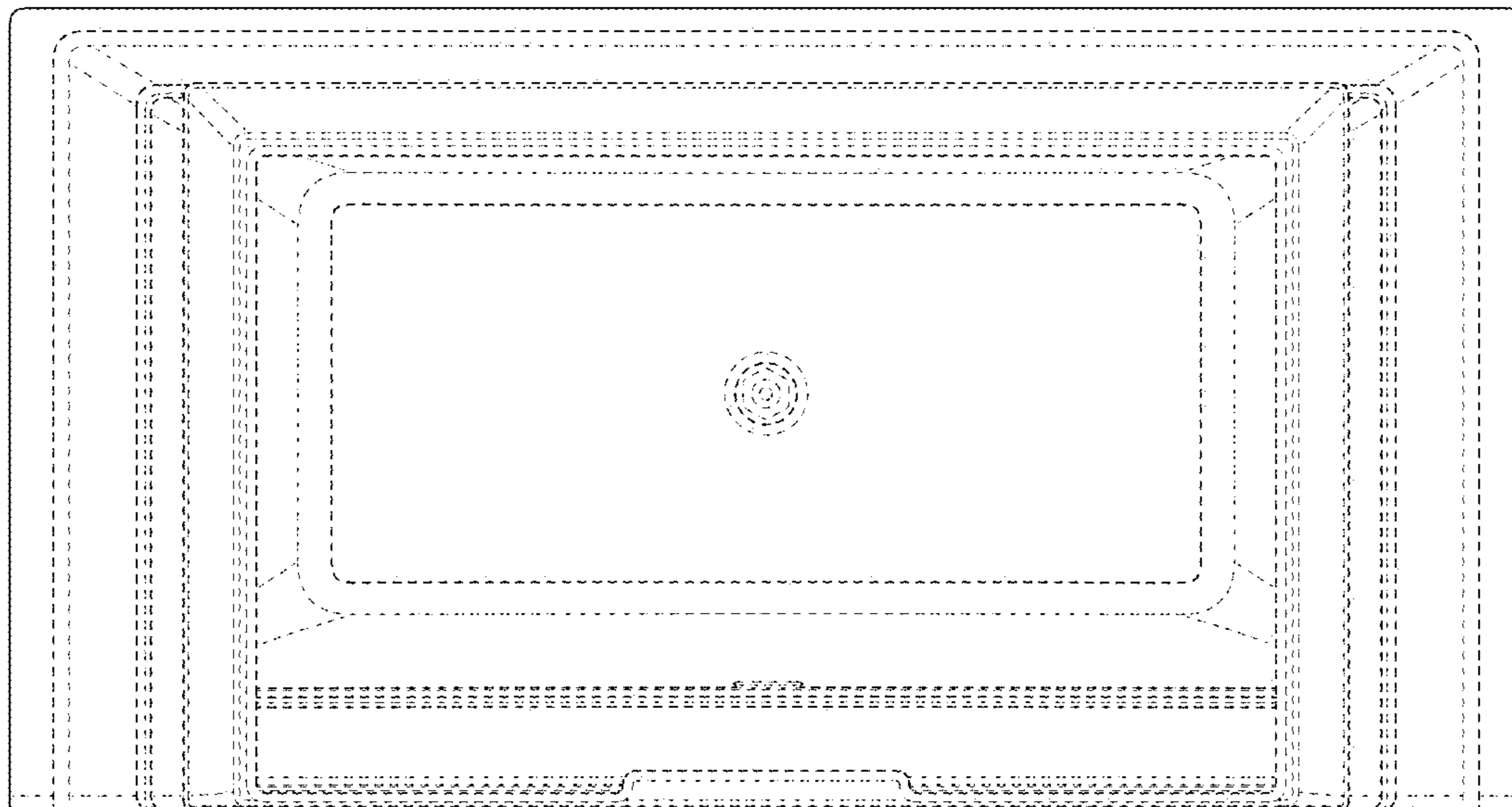


FIG. 7