



US00D937999S

(12) **United States Design Patent** (10) **Patent No.:** **US D937,999 S**
Bucher et al. (45) **Date of Patent:** **** Dec. 7, 2021**

- (54) **SHOWER BASE**
- (71) Applicant: **AS America, Inc.**, Piscataway, NJ (US)
- (72) Inventors: **Christophe Bucher**, Hillsborough, NJ (US); **Calum Wagner**, Brooklyn, NY (US)
- (73) Assignee: **AS America, Inc.**, Piscataway, NJ (US)
- (**) Term: **15 Years**
- (21) Appl. No.: **29/703,782**
- (22) Filed: **Aug. 29, 2019**

D532,877 S 11/2006 Hisey
 D539,394 S 3/2007 Luxton
 D540,926 S 4/2007 Flores
 (Continued)

FOREIGN PATENT DOCUMENTS

CA 44025 8/1978
 CA 2514275 A1 2/2006
 (Continued)

OTHER PUBLICATIONS

Amazon, ICON Shower Pan, posted Mar. 23, 2012, [online], [visited Apr. 14, 2021]. Internet, <URL: <https://www.amazon.co.uk/ICON-Shower-SP100-Polar-White/dp/B007NZVM34/ref?th=1>> (Year: 2012).*

(Continued)

Related U.S. Application Data

- (63) Continuation of application No. 29/637,917, filed on Feb. 22, 2018, now Pat. No. Des. 858,724.
- (51) **LOC (13) Cl.** **23-02**
- (52) **U.S. Cl.**
USPC **D23/304**
- (58) **Field of Classification Search**
USPC D23/303, 304, 305, 275, 277, 283;
D32/55, 56; D6/524, 708.21
CPC . A47K 3/00; A47K 3/02; A47K 3/004; A47K 3/40; A47K 3/405; A47K 3/022; A47K 3/28; A47K 3/281
See application file for complete search history.

Primary Examiner — Sheryl Lane
Assistant Examiner — Samantha N Wood
 (74) *Attorney, Agent, or Firm* — Morrison & Foerster LLP

(57) **CLAIM**

We claim the ornamental design for a shower base, as shown and described.

DESCRIPTION

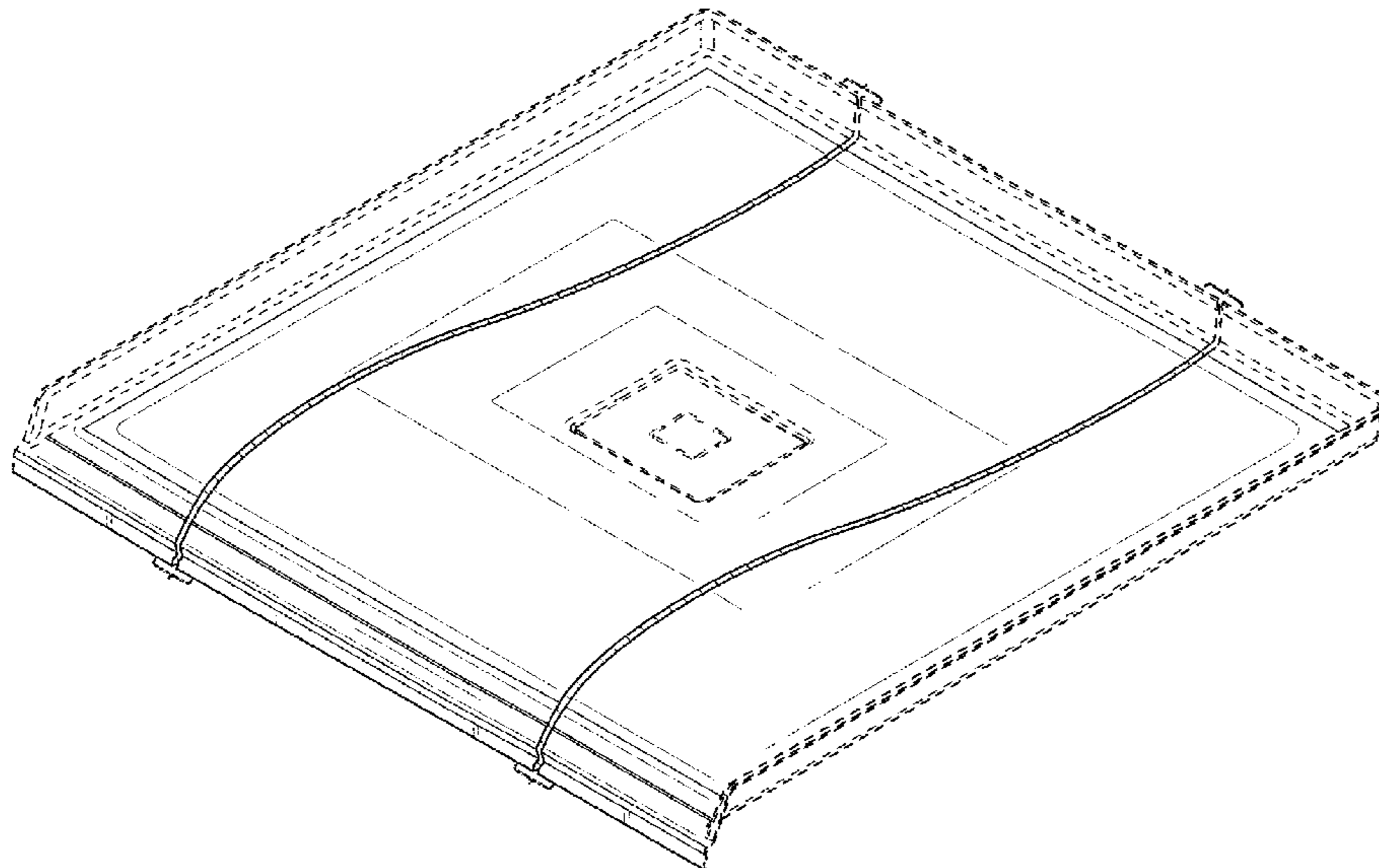
FIG. 1 is a front perspective view of a shower base showing our new design;
 FIG. 2 is a front view thereof;
 FIG. 3 is a rear view thereof;
 FIG. 4 is a side view thereof;
 FIG. 5 is a side view of the opposite side of FIG. 4; and,
 FIG. 6 is a top view thereof.
 The shower base is shown with symbolic breaks in its length. The appearance of any portion of the article between the break lines forms no part of the claimed design.
 The broken lines shown in the drawings illustrate portions of a shower base that form no part of the claimed design.

(56) **References Cited**

U.S. PATENT DOCUMENTS

- 1,134,364 A * 4/1915 Adams A47K 3/022
4/621
- D255,829 S * 7/1980 Swenson D23/283
- D351,019 S 9/1994 Moore et al.
- D414,850 S 10/1999 Mckeone
- D480,455 S 10/2003 Painter et al.
- D486,208 S 2/2004 Piatt et al.
- 6,990,695 B2 1/2006 Grayson

1 Claim, 6 Drawing Sheets



(56)

References Cited

U.S. PATENT DOCUMENTS

D541,913	S	5/2007	Piatt	
D565,157	S	3/2008	Bates	
D596,721	S	7/2009	Hisey	
D596,722	S	7/2009	Hisey	
D609,316	S	2/2010	Hisey	
D611,129	S	3/2010	Hisey	
D612,027	S	3/2010	Hisey	
D612,180	S	3/2010	Mayer	
D613,839	S	4/2010	Hisey	
7,739,757	B2	6/2010	Witt	
7,849,531	B2	12/2010	Rooke et al.	
D672,850	S *	12/2012	Adams	D23/304
8,474,068	B2	7/2013	Kik, Sr. et al.	
D693,911	S	11/2013	Adams	
D712,017	S	8/2014	Carroll	
D731,630	S	6/2015	DeSocio	
D750,764	S	3/2016	DeSocio	
D758,556	S	6/2016	Licini	
9,462,916	B2	10/2016	Adams	
D776,246	S	1/2017	Licini	
D785,148	S	4/2017	Licini	
9,611,634	B2	4/2017	Erlebach	
D792,954	S	7/2017	Sander et al.	
D827,793	S	9/2018	Derrickson	
D859,613	S	9/2019	Bucher et al.	
D859,614	S	9/2019	Bucher et al.	
D860,412	S	9/2019	Bucher et al.	
D860,413	S	9/2019	Bucher et al.	
D860,414	S	9/2019	Bucher et al.	
D860,415	S	9/2019	Bucher et al.	
D863,515	S	10/2019	Rocandio Mazagatos	
D868,222	S	11/2019	Bucher et al.	
D868,223	S	11/2019	Bucher et al.	
2004/0034922	A1	2/2004	Grayson	
2006/0191067	A1	8/2006	Sadler	
2008/0148474	A1	6/2008	Witt	
2009/0241258	A1 *	10/2009	Cook	A47K 3/40 4/611
2011/0197355	A1 *	8/2011	Lemire	E03F 5/0408 4/613
2013/0276226	A1	10/2013	Cook et al.	
2014/0075666	A1	3/2014	Campbell et al.	
2016/0166121	A1	6/2016	Zimbric et al.	
2017/0164791	A1	6/2017	Provence	
2017/0196413	A1	7/2017	Sander et al.	

FOREIGN PATENT DOCUMENTS

CA	2838494	A1 *	12/2012	C25D 7/00
CA	149180		1/2014		
CN	301078915		12/2009		
CN	302243910		12/2012		
DE	10131338	A1	9/2002		
DE	102007010598	A1	9/2008		
DE	202011005194	U1 *	8/2011	A47K 3/1605
DE	102010015856	A1	9/2011		
EM	000293675-0001		4/2005		
EP	1857029	A2	11/2007		
GB	2026077		12/1992		
GB	4011893		8/2009		
JP	2000-265513	A	9/2000		
RU	74583		4/2010		

OTHER PUBLICATIONS

Youtube, Origins Aquastrap waterproof shower tray seal, posted Jul. 28, 2017, [online], [visited Apr. 15, 2021]. Internet, <URL: https://www.youtube.com/watch?v=su_oZkXSpP8> (Year: 2017).*

Bucher et al., U.S. Office Action dated Dec. 12, 2018, directed to U.S. Appl. No. 29/637,917; 8 pages.
 Bucher et al., U.S. Office Action dated Dec. 12, 2018, directed to U.S. Appl. No. 29/637,921; 7 pages.
 Bucher et al., U.S. Office Action dated Dec. 12, 2018, directed to U.S. Appl. No. 29/637,922; 6 pages.
 Bucher, U.S. Office Action dated Apr. 2, 2019, directed to U.S. Appl. No. 29/630,385; 5 pages.
 Bucher, U.S. Office Action dated Apr. 2, 2019, directed to U.S. Appl. No. 29/630,389; 5 pages.
 Bucher, U.S. Office Action dated Dec. 12, 2018, directed to U.S. Appl. No. 29/630,377; 6 pages.
 Bucher, U.S. Office Action dated Dec. 12, 2018, directed to U.S. Appl. No. 29/630,379; 7 pages.
 Bucher, U.S. Office Action dated Dec. 12, 2018, directed to U.S. Appl. No. 29/630,385; 7 pages.
 Bucher, U.S. Office Action dated Dec. 12, 2018, directed to U.S. Appl. No. 29/630,386; 6 pages.
 Bucher, U.S. Office Action dated Dec. 12, 2018, directed to U.S. Appl. No. 29/630,388; 9 pages.
 Bucher, U.S. Office Action dated Dec. 12, 2018, directed to U.S. Appl. No. 29/630,389; 7 pages.
 Examination Report dated May 7, 2019, directed to CA Application No. 183084; 3 pages.
 First Notification to Make Rectification dated Nov. 14, 2018, directed to CN Application No. 201830463529.6; 2 pages.
 Mincey Marble Manufacturing. (2006) "Installation Instructions for Mincey Marble Manufacturing's Standard Cast Marble Trench Drain Shower Pan—Residence Inn by Marriott"; 3 pages.
 Amazon. (Aug. 13, 2019). "Transolid FL4832L-39 Linear 48-in W x32-in L Rectangular Alcove Concealed End Shower Base with Left Hand Drain, Grey," located at <https://www.amazon.com/Transolid-FL4832L-39-Linear-Rectangular-Alcove/dp/B07WJGDHN/ref>. (22 pages).
 Amazon. (Jun. 3, 2013). "Shower Floor, Single Threshold, 36x32 in," located at <https://www.amazon.co.uk/Shower-Floor-Single-Threshold-36x32/dp/B00COTZ0FK/ref>. (4 pages).
 Amazon. (Mar. 7, 2018). "60"x36" Single Threshold Shower Base—Glossy White—Tier Series SB-AZ04LD—ANZZI," located at <https://www.amazon.com/Single-Threshold-Shower-Base-SB-AZ04LD/dp/B07B9G8HRQ/ref>. (6 pages).
 Amazon. (Nov. 21, 2012). "DreamLine SlimLine 32 in. D x32 in. W x2¾ in. H Center Drain Single Threshold Shower Base in White, DLT-1132320," located at www.amazon.com/DreamLine-SlimLine-Center-Single-Threshold/dp/B00AARV3JU. (4 pages).
 Amazon. (Oct. 28, 2013). "MX Group Square Elements Low Profile Flat Top Shower Tray: 760x760mm," located at <https://www.amazon.co.uk/MX-Group-Square-Elements-Profile/dp/B00G95FYLA/ref?th=1>. (4 pages).
 Amazon. (Sep. 1, 2019). "Woodbridge SBR6030-1000R Solid Surface Shower Base with Recessed Trench Side Including Stainless Steel Linear Cover, 60" L x30" W x4" H, Right Drain White Color," located at <https://www.amazon.com/Woodbridge-SBR6030-1000R-Recessed-Including-Stainless/dp/B07XBF36Z9/ref>. (14 pages).
 Bucher, U.S. Office Action dated Apr. 21, 2021, directed to U.S. Appl. No. 29/703,778; 9 pages.
 Bucher, U.S. Office Action dated May 12, 2021, directed to U.S. Appl. No. 29/714,719; 9 pages.
 Bucher, U.S. Office Action dated May 14, 2021, directed to U.S. Appl. No. 29/714,721; 7 pages.
 Youtube. (Dec. 3, 2014). "OVE Shower Base Installation—General Guideline_v1," located at <https://www.youtube.com/watch?v=fzQj6S-hUkw>. (1 page).
 Youtube. (Sep. 5, 2017). "Tile-able Shower Tray," located at <https://www.youtube.com/watch?v=0XGMF6-FRZo>. (1 page).

* cited by examiner

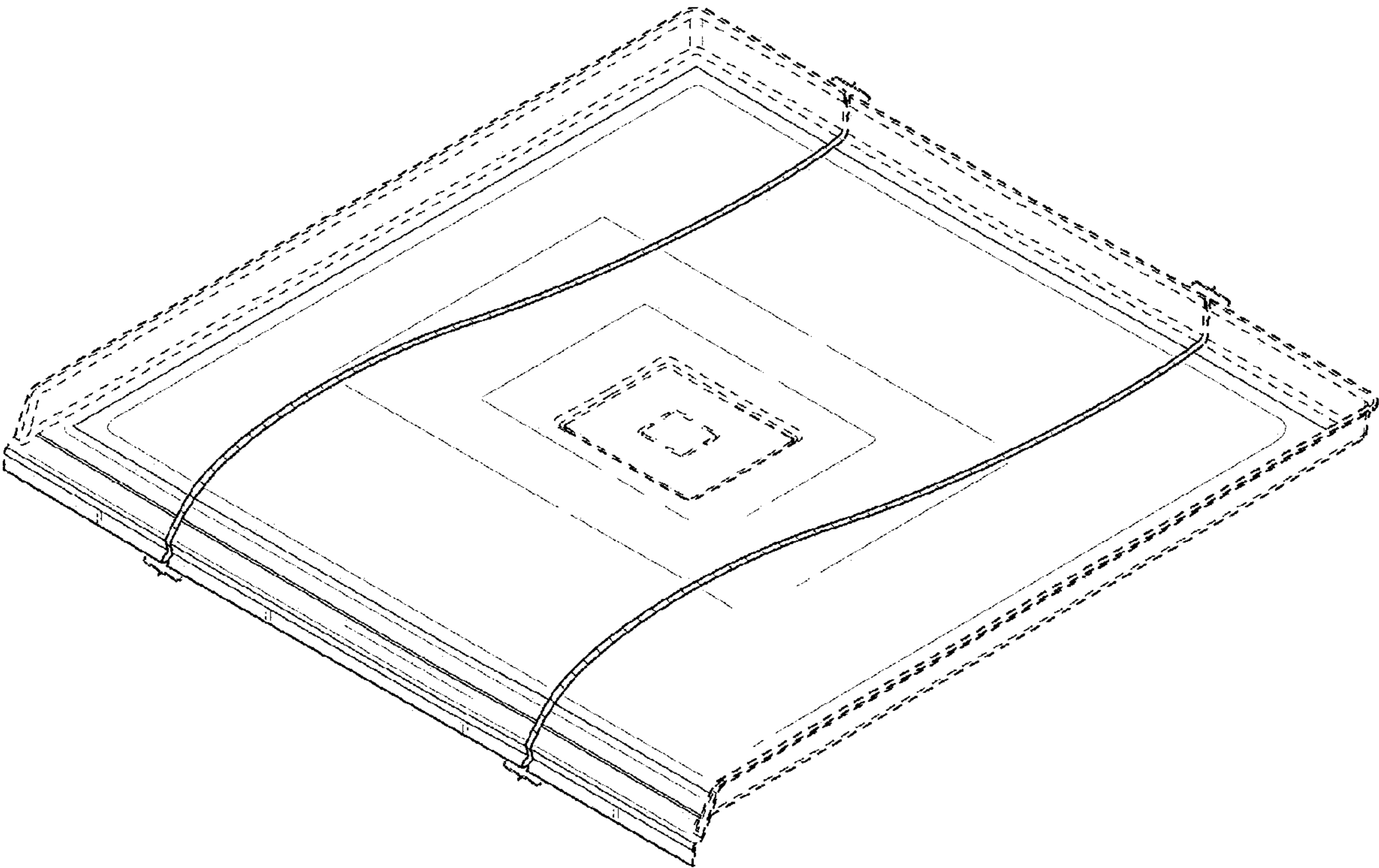


FIG. 1

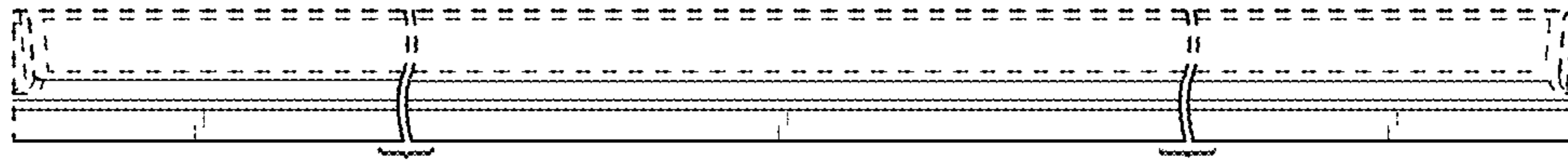


FIG. 2

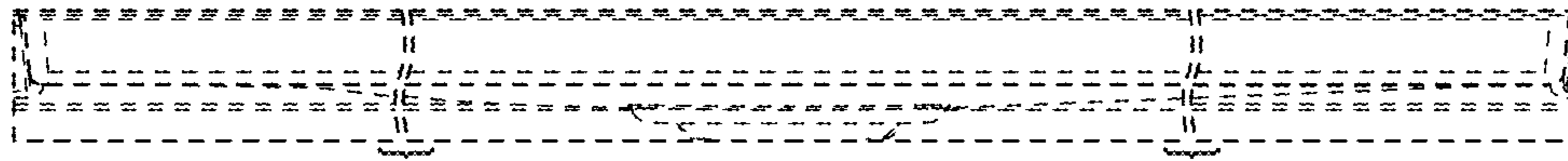


FIG. 3



FIG. 4

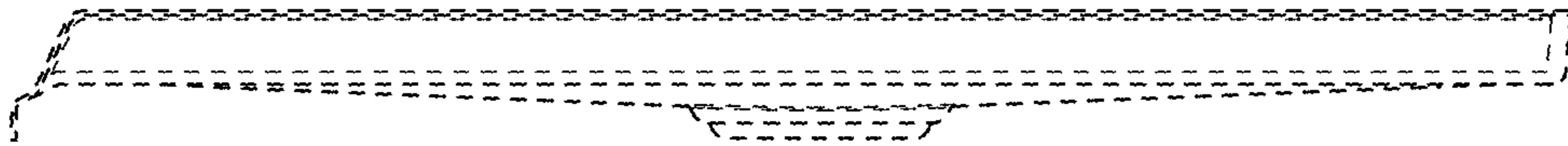


FIG. 5

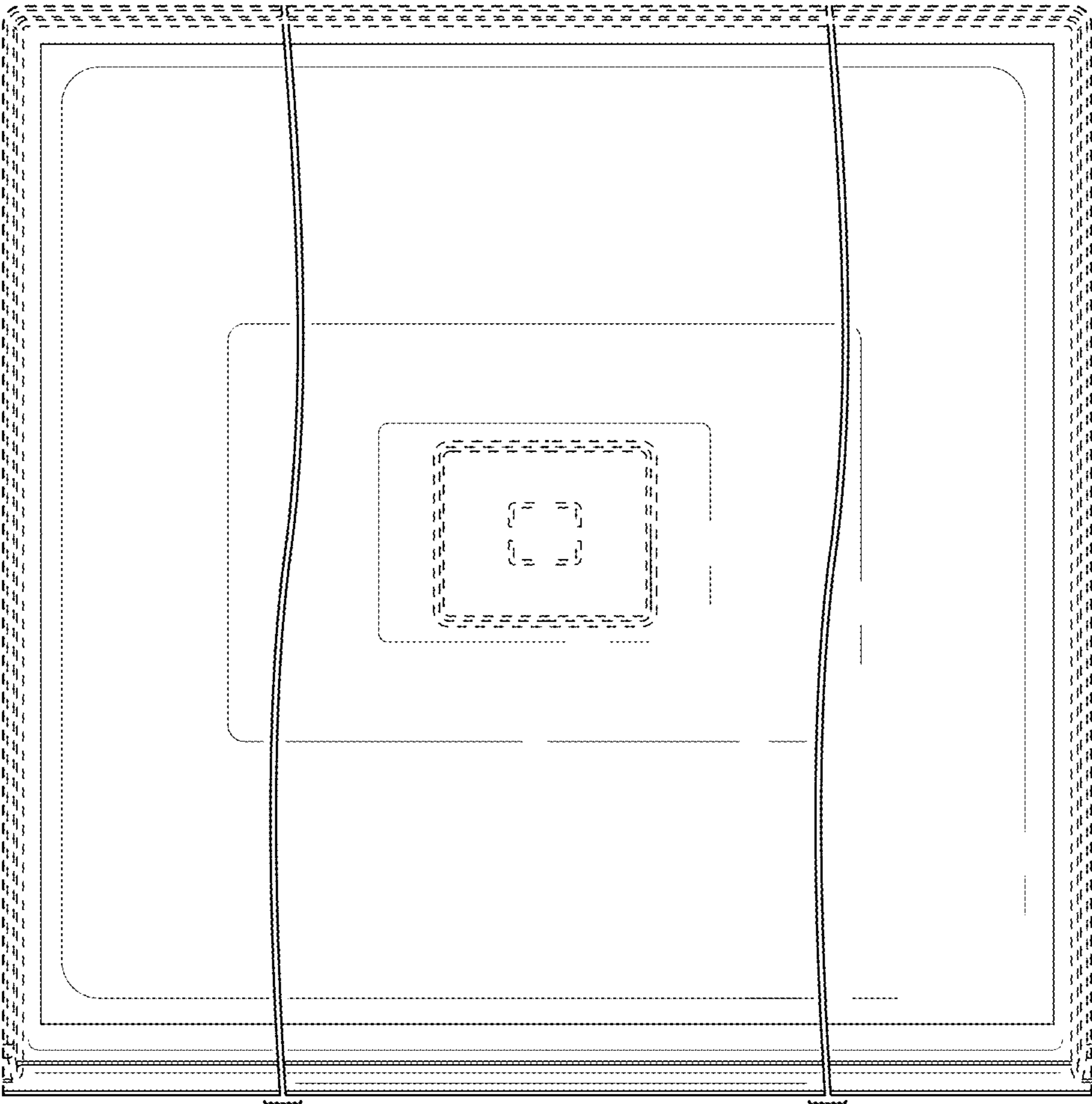


FIG. 6