



US00D937997S

(12) **United States Design Patent**
Bucher

(10) **Patent No.:** **US D937,997 S**

(45) **Date of Patent:** **** Dec. 7, 2021**

(54) **TOILET**

D893,689 S * 8/2020 Goad D23/313

* cited by examiner

(71) Applicant: **AS America, Inc.**, Piscataway, NJ (US)

Primary Examiner — Robert A Delehanty

(72) Inventor: **Christophe Bucher**, Hillsborough, NJ (US)

(74) *Attorney, Agent, or Firm* — Tyler A. Stevenson; Anna-lisa L. Gallo

(73) Assignee: **AS America, Inc.**, Piscataway, NJ (US)

(57) **CLAIM**

(**) Term: **15 Years**

I claim the ornamental design for a toilet, shown and described.

(21) Appl. No.: **29/709,770**

DESCRIPTION

(22) Filed: **Oct. 17, 2019**

FIG. 1 is a front, top, right side perspective view of a toilet showing my new design;

(51) **LOC (13) Cl.** **23-02**

FIG. 2 is a front view thereof;

(52) **U.S. Cl.**

FIG. 3 is a rear side view thereof;

USPC **D23/301**

FIG. 4 is a left side view thereof;

(58) **Field of Classification Search**

FIG. 5 is a right side view thereof;

USPC D23/295, 301, 309, 313

FIG. 6 is a top view thereof;

See application file for complete search history.

FIG. 7 is a bottom view thereof; and,

(56) **References Cited**

FIG. 8 is a rear, bottom, right side, perspective view thereof.

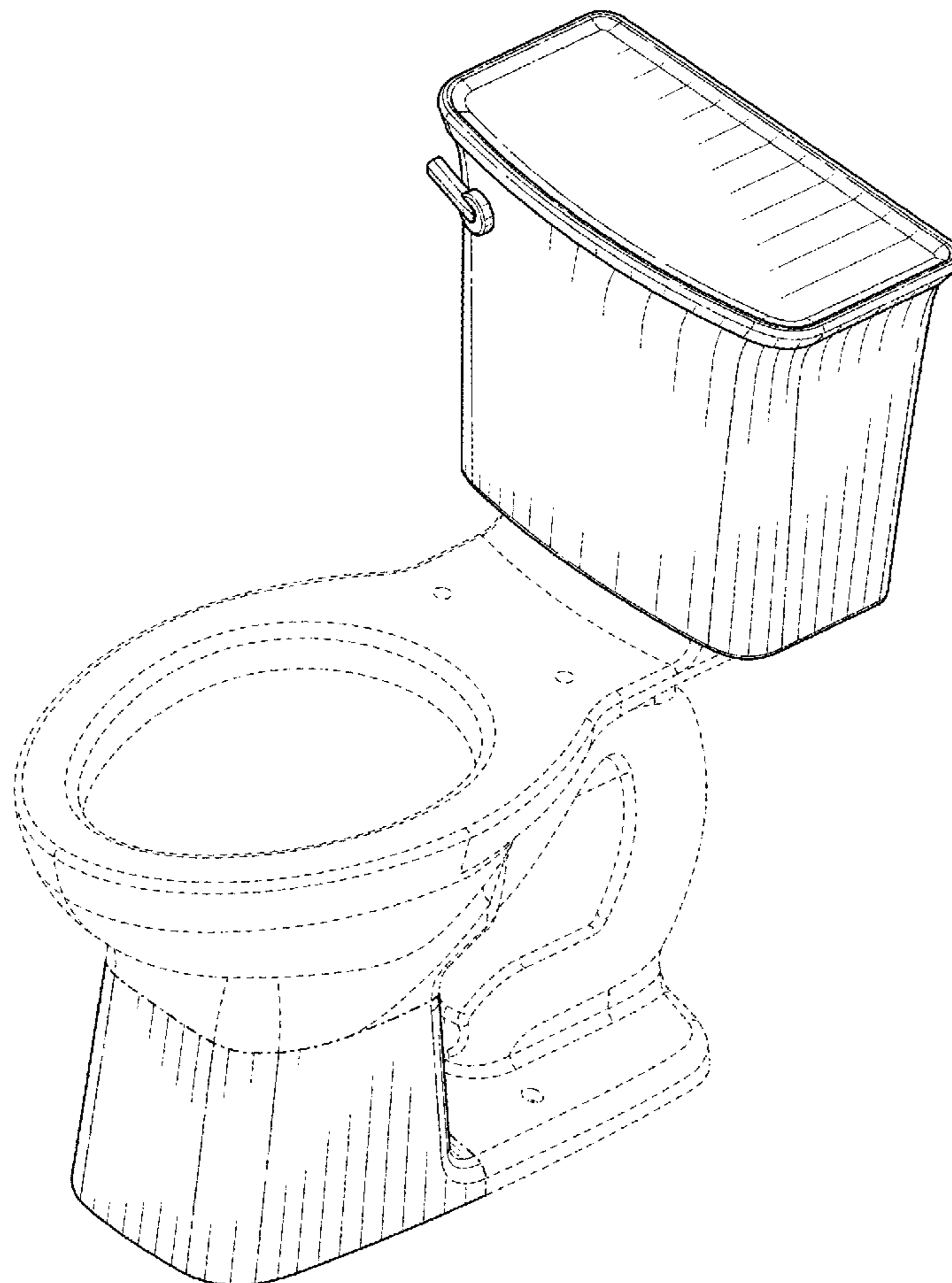
U.S. PATENT DOCUMENTS

Broken lines shown in the figures depict portions of the toilet that form no part of the claimed design; dash-dot broken lines represent boundary lines and form no part of the claimed design.

D688,356 S * 8/2013 Mendoza D23/301

D702,820 S * 4/2014 Spangler D23/301

1 Claim, 7 Drawing Sheets



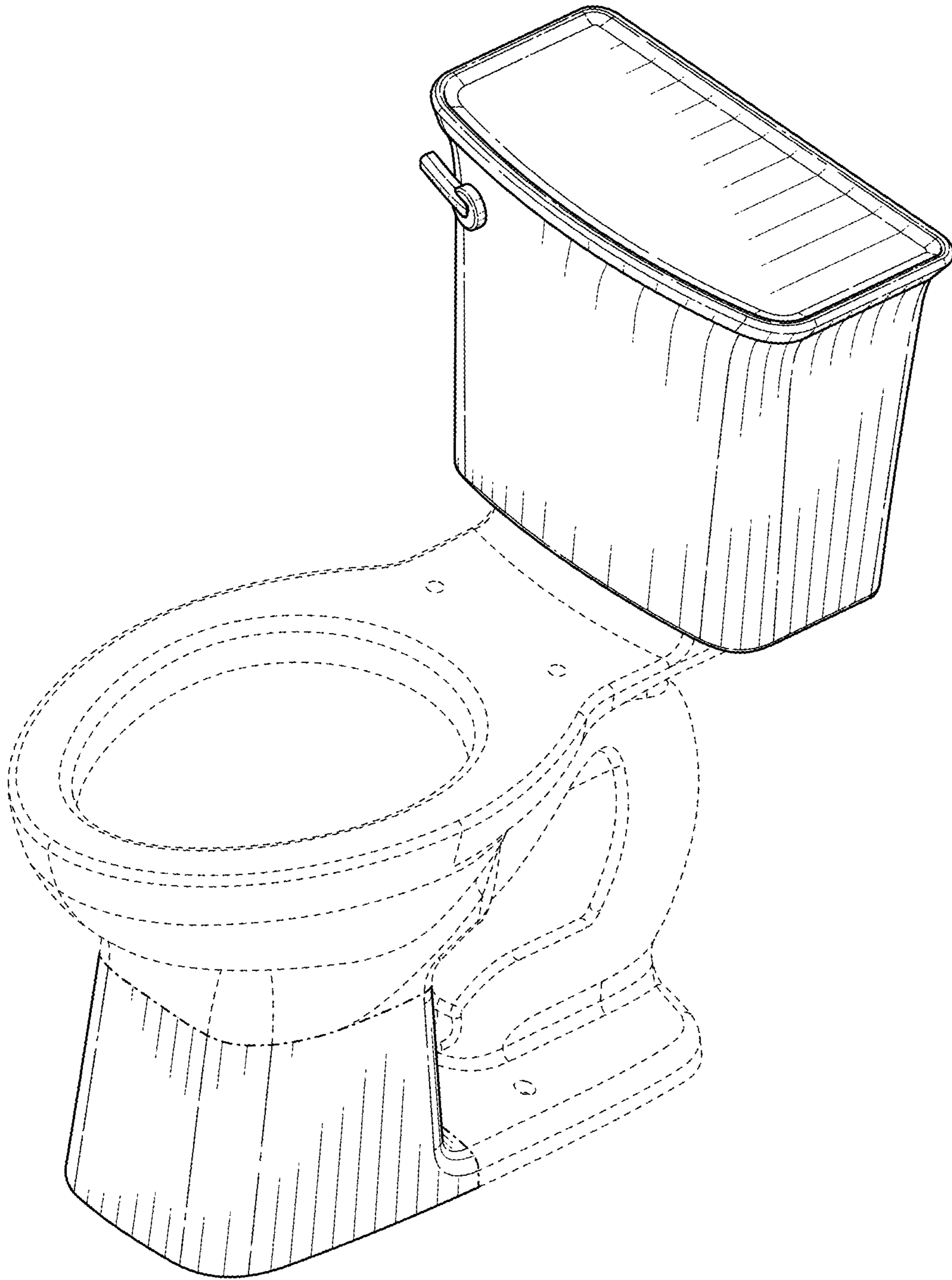


FIG. 1

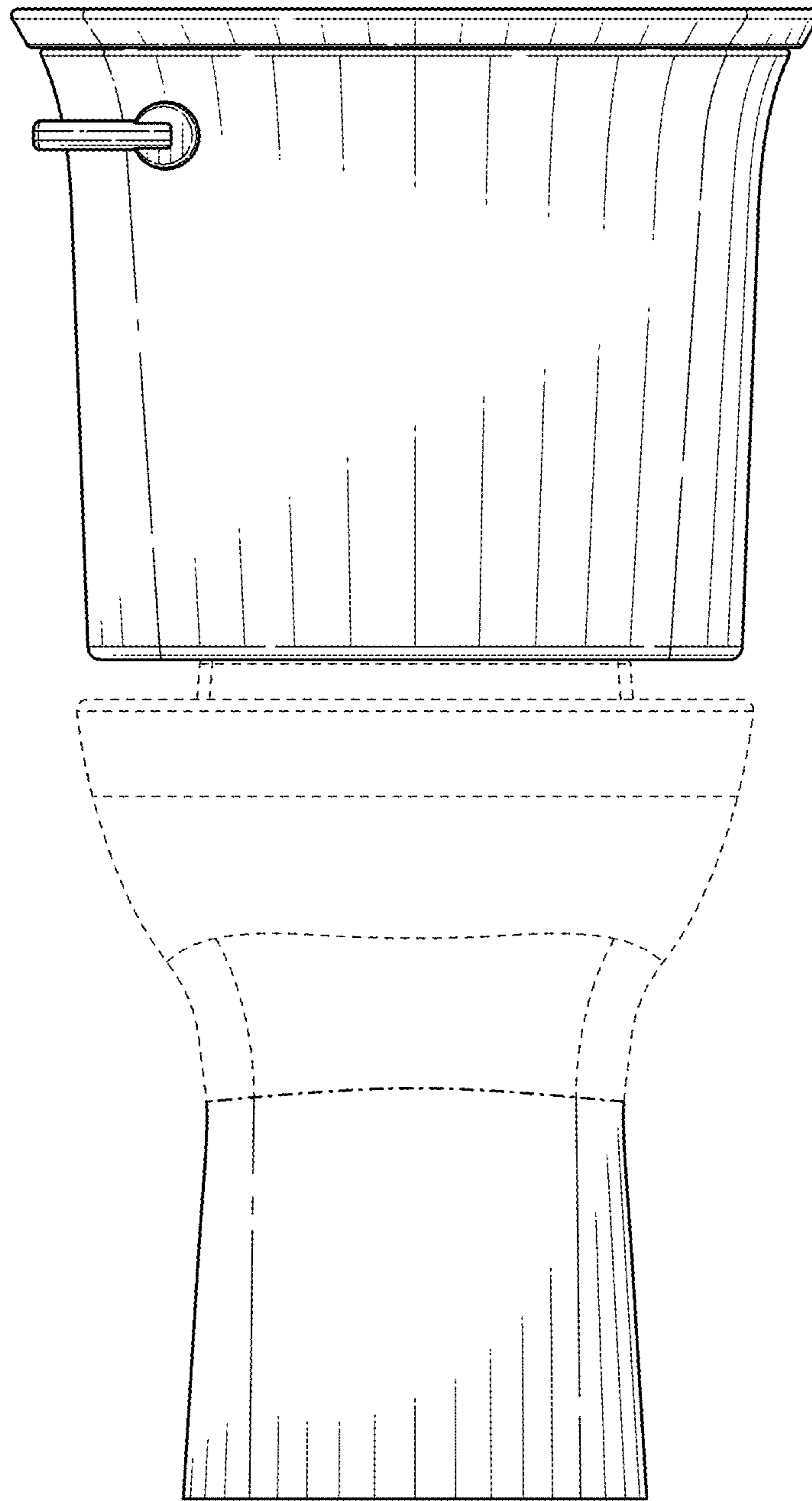


FIG. 2

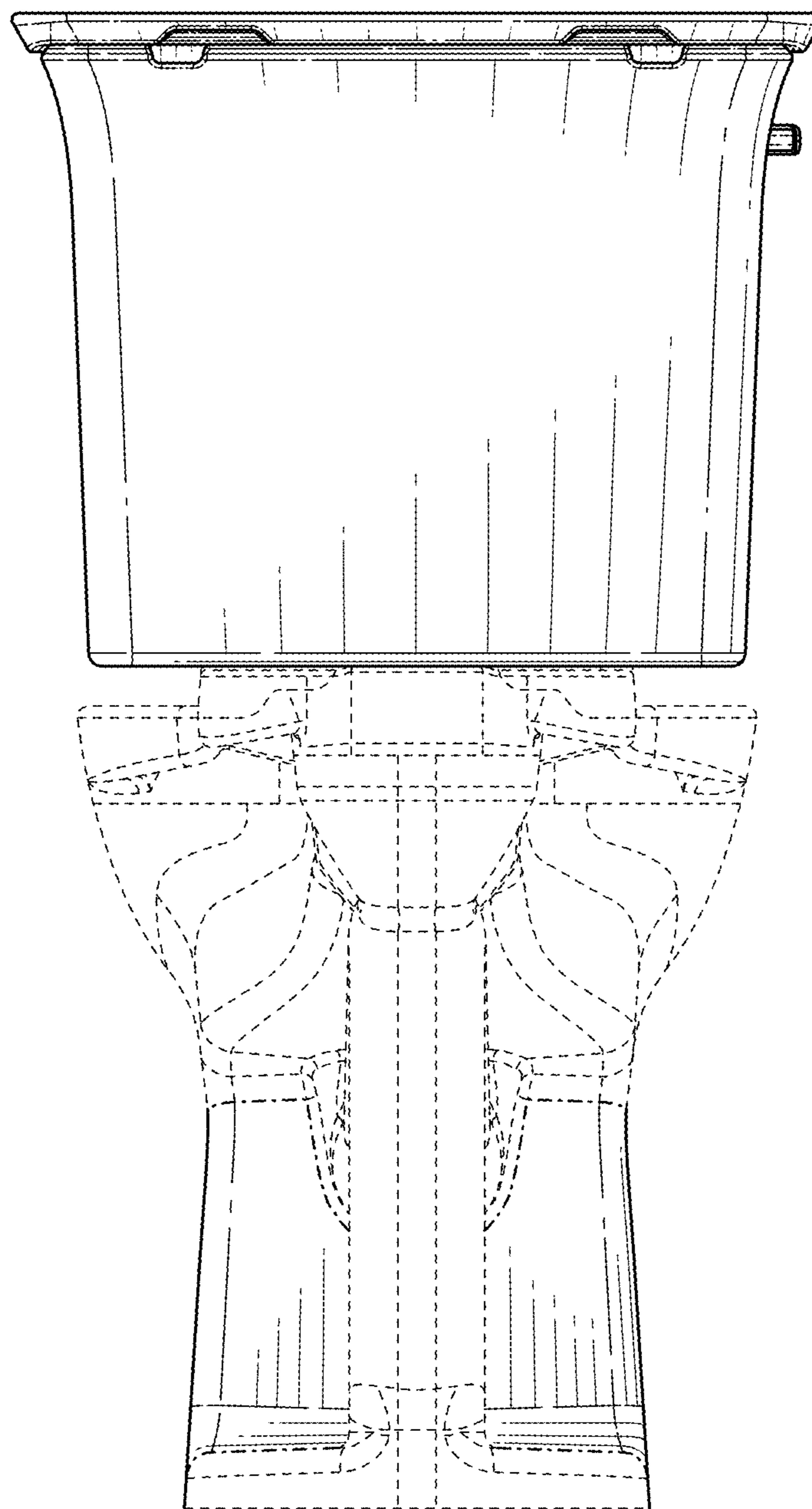


FIG. 3

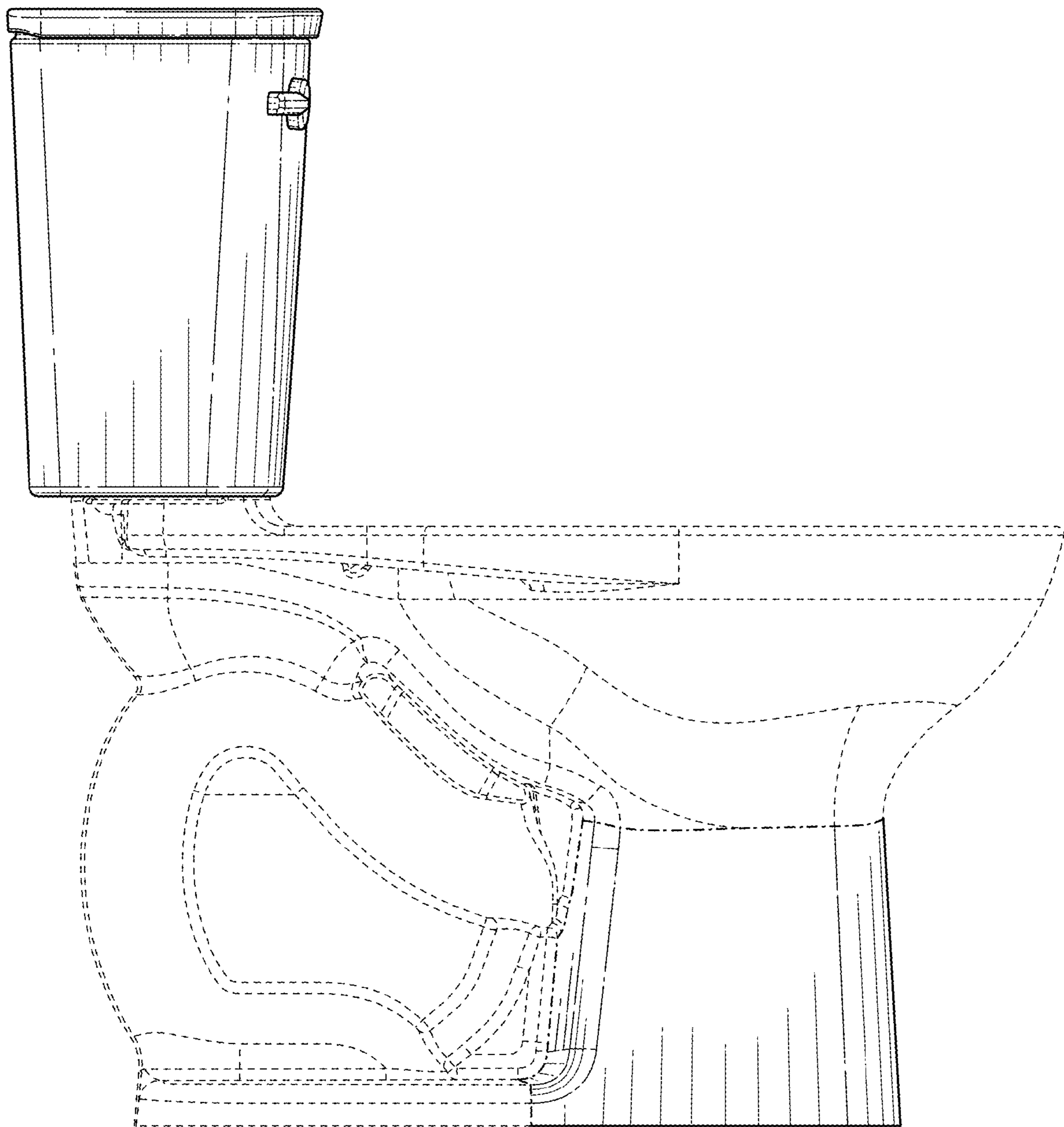


FIG. 4

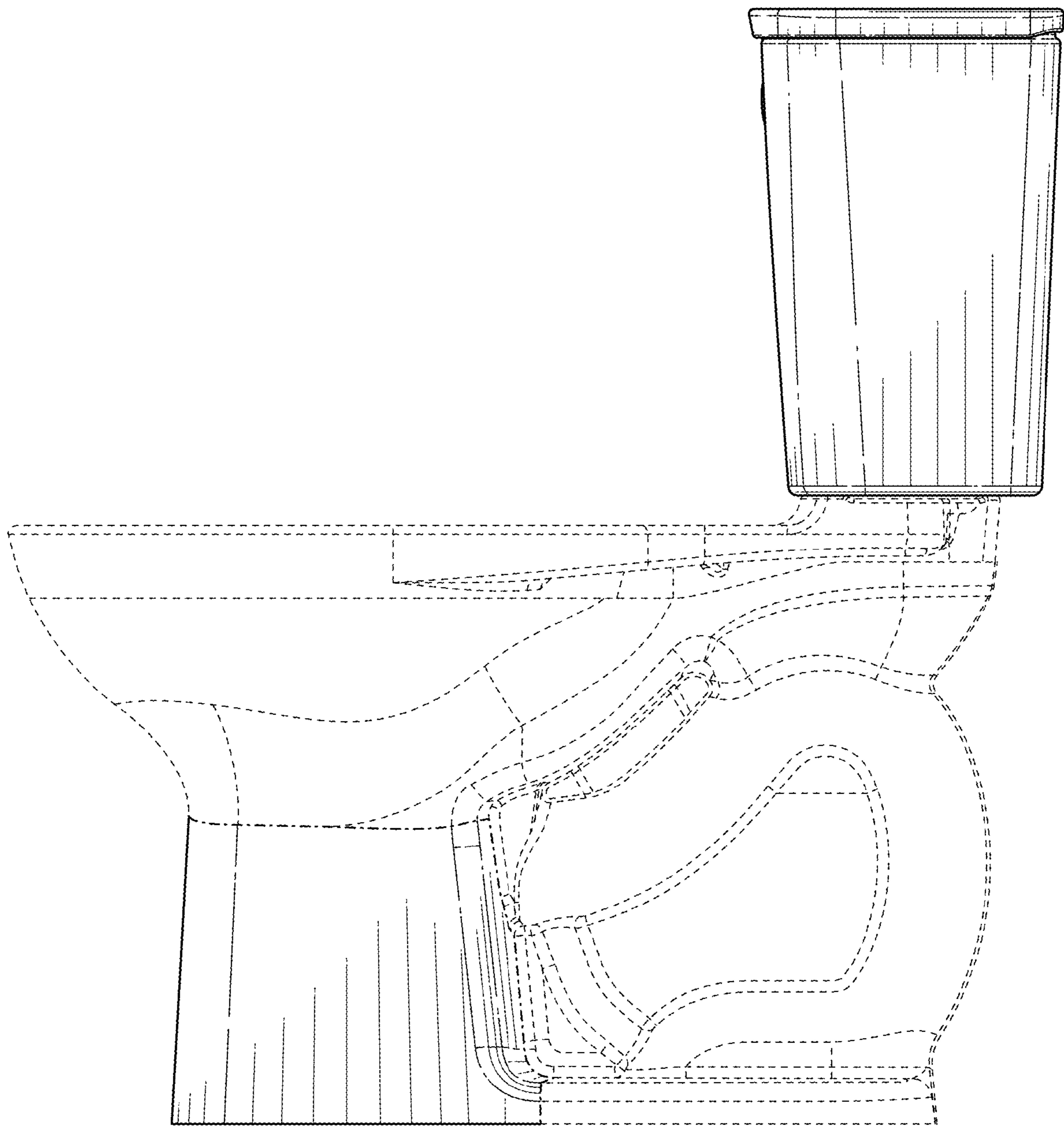


FIG. 5

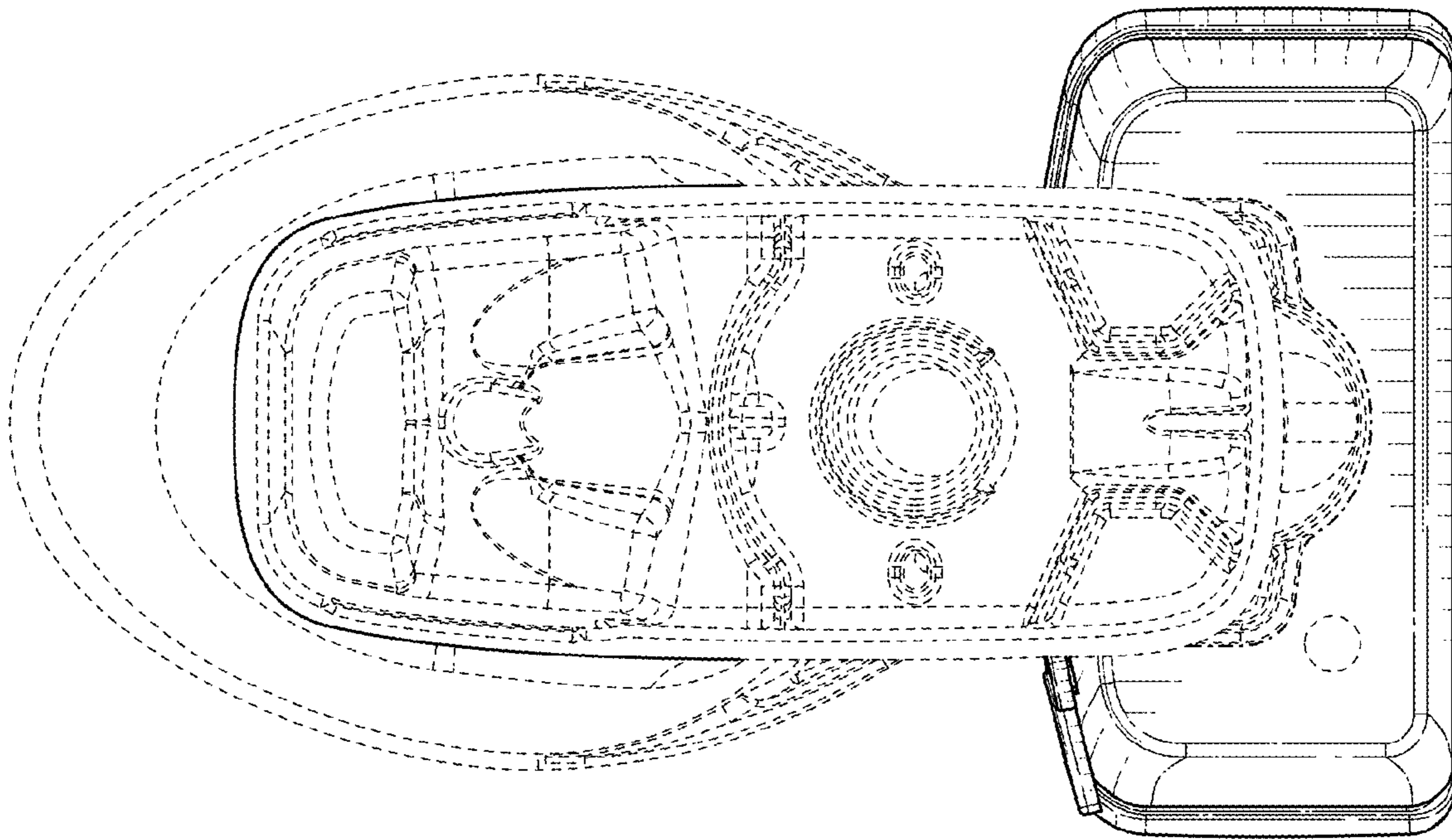


FIG. 7

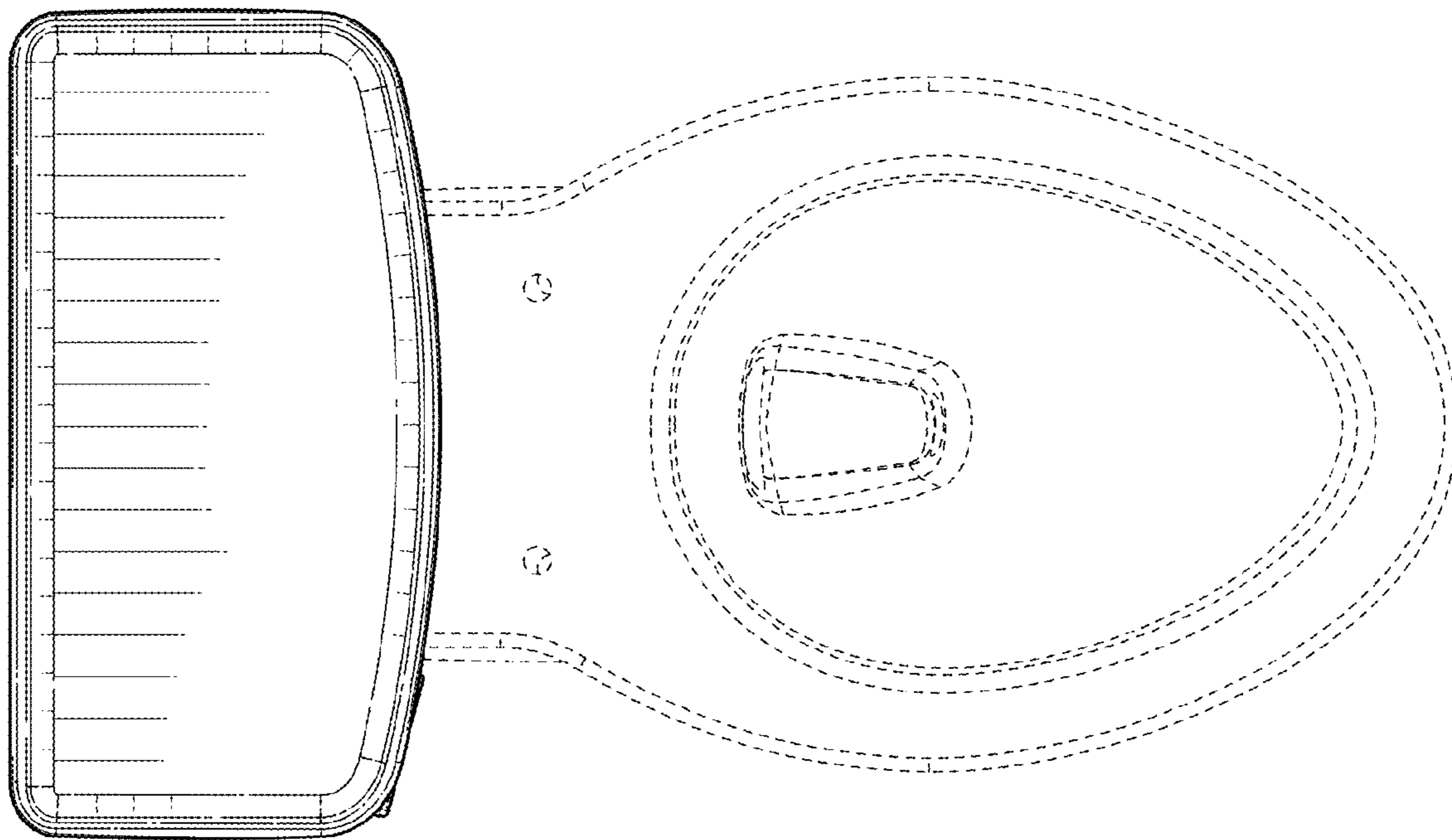


FIG. 6

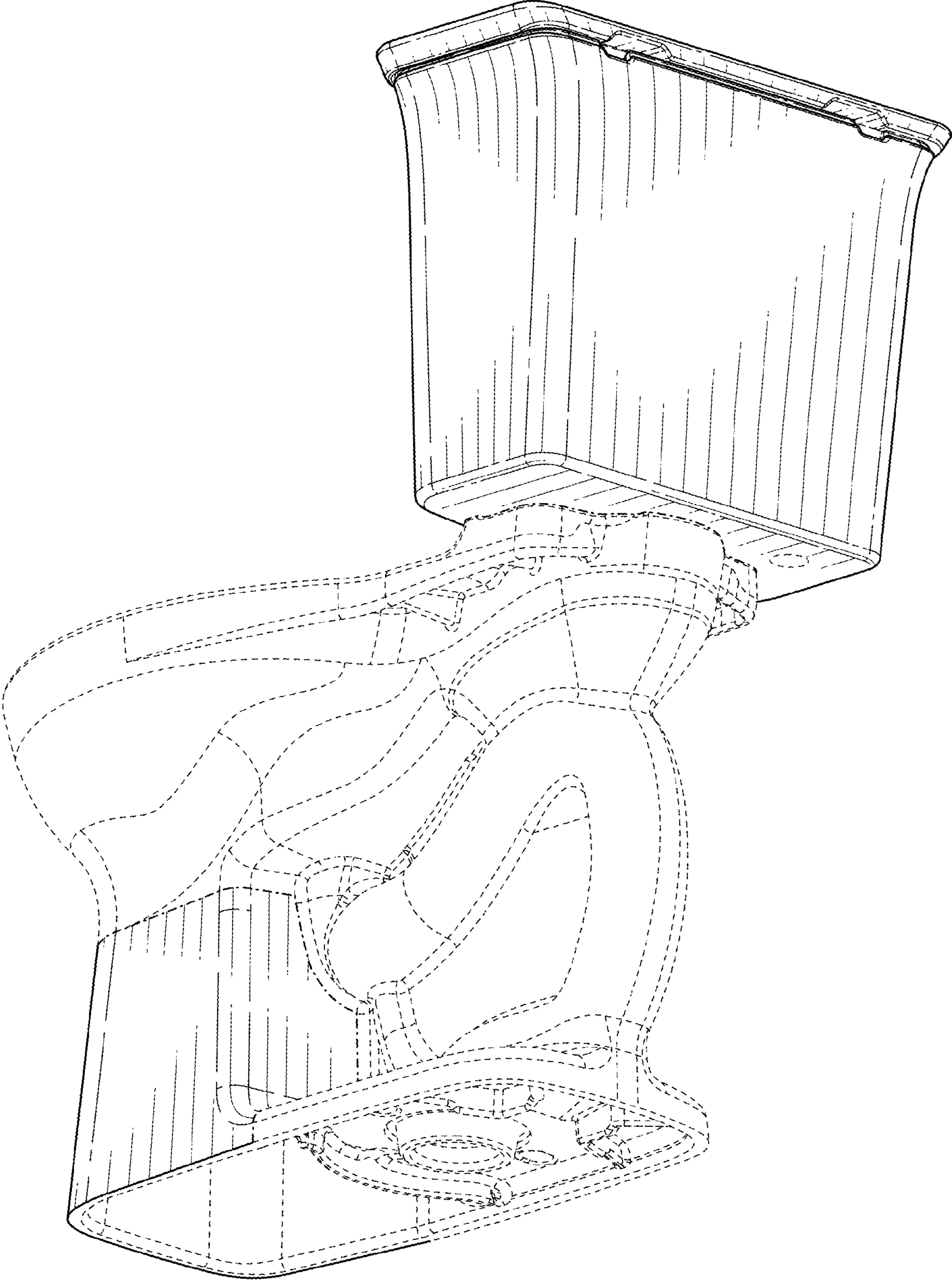


FIG. 8