

US00D937994S

(12) **United States Design Patent** (10) **Patent No.:** **US D937,994 S**  
**Bucher et al.** (45) **Date of Patent:** **\*\* Dec. 7, 2021**

(54) **BATHTUB**  
(71) Applicant: **AS America, Inc.**, Piscataway, NJ (US)  
(72) Inventors: **Christophe Bucher**, Hillsborough, NJ (US); **Jacob Nitz**, Brooklyn, NY (US)  
(73) Assignee: **AS America, Inc.**, Piscataway, NJ (US)  
(\*\*) Term: **15 Years**  
(21) Appl. No.: **29/707,038**  
(22) Filed: **Sep. 25, 2019**

D725,754 S 3/2015 Spangler  
D728,760 S 5/2015 Spangler  
D738,993 S \* 9/2015 Spangler ..... D23/277  
(Continued)

**OTHER PUBLICATIONS**

American Standard Estate Freestanding Tub [Jul. 21, 2021] found online [Jul. 21, 2021]—<https://www.americanstandard-us.com/bathroom/bathtubs/estate-freestanding-tub-31865>.  
(Continued)

*Primary Examiner* — John A Voytek  
(74) *Attorney, Agent, or Firm* — Tyler A. Stevenson; Anna-lisa L. Gallo

**Related U.S. Application Data**

(63) Continuation of application No. 29/624,025, filed on Oct. 30, 2017, now Pat. No. Des. 866,721.  
(51) **LOC (13) Cl.** ..... **23-02**  
(52) **U.S. Cl.**  
USPC ..... **D23/280.1**  
(58) **Field of Classification Search**  
USPC ... D23/277–279, 280.1, 280.2, 280.3, 280.4, D23/284, 293.1, 304–307  
CPC ..... A47K 3/006; A47K 3/02; A47K 3/022; E05C 9/16  
See application file for complete search history.

(57) **CLAIM**

The ornamental design for a bathtub, as shown and described.

**DESCRIPTION**

FIG. 1 is a perspective view of a bathtub showing our new design;  
FIG. 2 is a front elevational view of the bathtub shown in FIG. 1;  
FIG. 3 is a rear elevational view of the bathtub shown in FIG. 1;  
FIG. 4 is a left-side elevational view of the bathtub shown in FIG. 1;  
FIG. 5 is a right-side elevational view of the bathtub shown in FIG. 1;  
FIG. 6 is a top plan view of the bathtub shown in FIG. 1; and, FIG. 7 is a bottom plan view of the bathtub shown in FIG. 1.

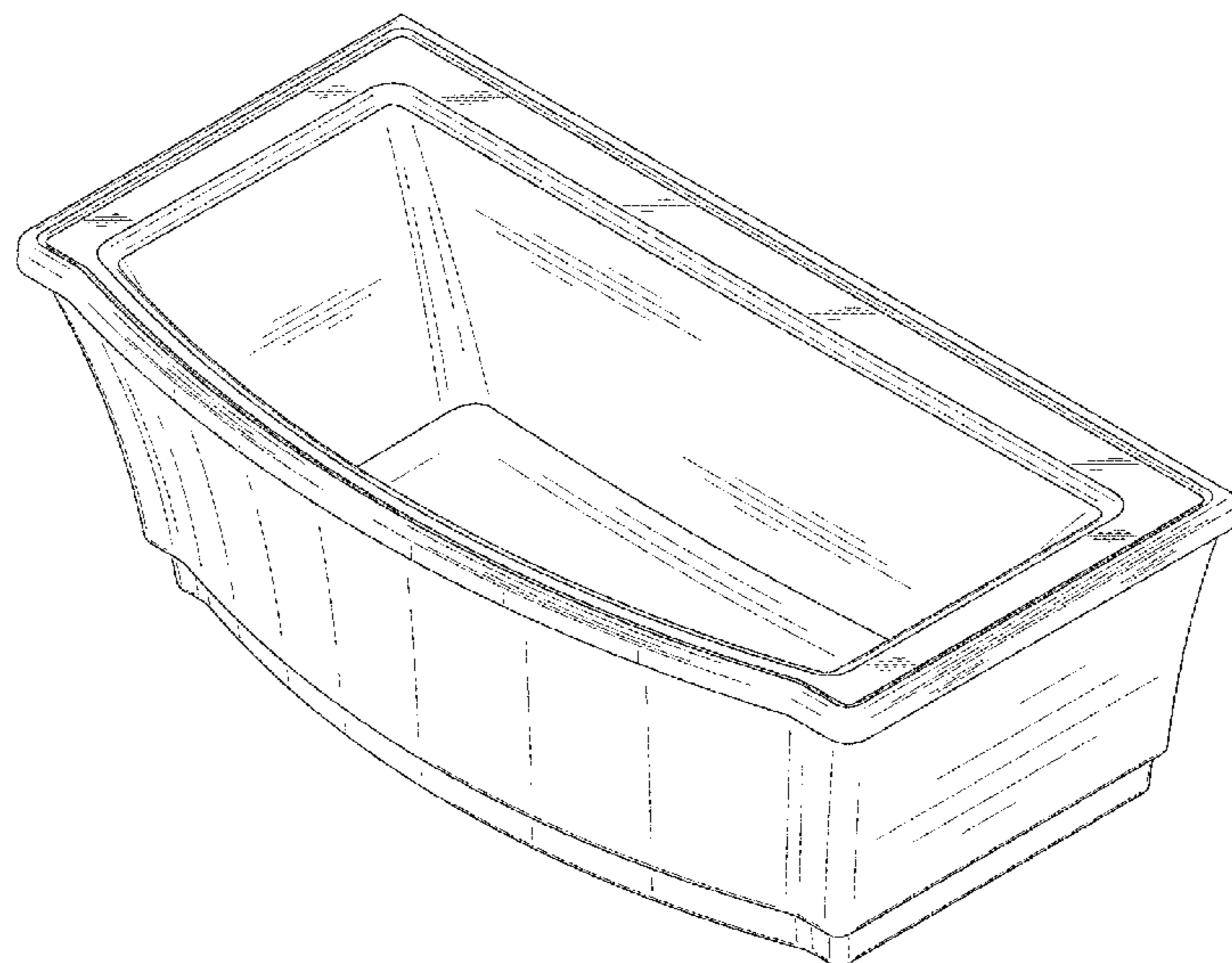
The broken lines immediately adjacent the shaded areas represent the bounds of the claimed design while all other broken lines are directed to environment and are for illustrative purposes only; the broken lines form no part of the claimed design.

**1 Claim, 4 Drawing Sheets**

(56) **References Cited**

**U.S. PATENT DOCUMENTS**

D470,579 S 2/2003 Foster  
D519,192 S \* 4/2006 Kergoet ..... D23/280.1  
D560,768 S 1/2008 Smith  
D564,639 S 3/2008 Bruce  
D595,392 S 6/2009 Verlinden  
D633,602 S \* 3/2011 Miura ..... D23/280.1  
D633,603 S 3/2011 Su  
D633,604 S 3/2011 Hoh  
D638,524 S 5/2011 Thomas  
D705,404 S \* 5/2014 Anzellini ..... D23/293.1  
D724,706 S 3/2015 Meneghello



(56)

**References Cited**

U.S. PATENT DOCUMENTS

D745,645 S 12/2015 Burke  
D747,446 S 1/2016 Yoshioka  
D834,157 S 11/2018 L'Henaff et al.  
D866,721 S \* 11/2019 Bucher ..... D23/280.1  
D886,959 S \* 6/2020 Bucher ..... D23/277  
D886,965 S \* 6/2020 Smith ..... D23/304

OTHER PUBLICATIONS

Lush Free Standing Bathtub (VA1045); [http://www.valleyacrylic.com/store/index.php?route=product/product&product\\_id=619&search=lush&description=true](http://www.valleyacrylic.com/store/index.php?route=product/product&product_id=619&search=lush&description=true), downloaded Oct. 5, 2017.

OMSA Professional Acrylic Bathtub Manufacturer; <http://en.chinaomsa.com/product.asp>, downloaded Oct. 5, 2017.

Fleurco Sonnet Acrylic bathtub; [http://designashower.com/uploads/tub/spec\\_pdf/30/Sonnet\\_BSO6039\\_Gen\\_Specs.pdf](http://designashower.com/uploads/tub/spec_pdf/30/Sonnet_BSO6039_Gen_Specs.pdf), downloaded Oct. 5, 2017.

Victoria + Albert Eldon bathtub; <https://vandabaths.com/us/americas/product/eldon/>, downloaded Oct. 5, 2017.

\* cited by examiner

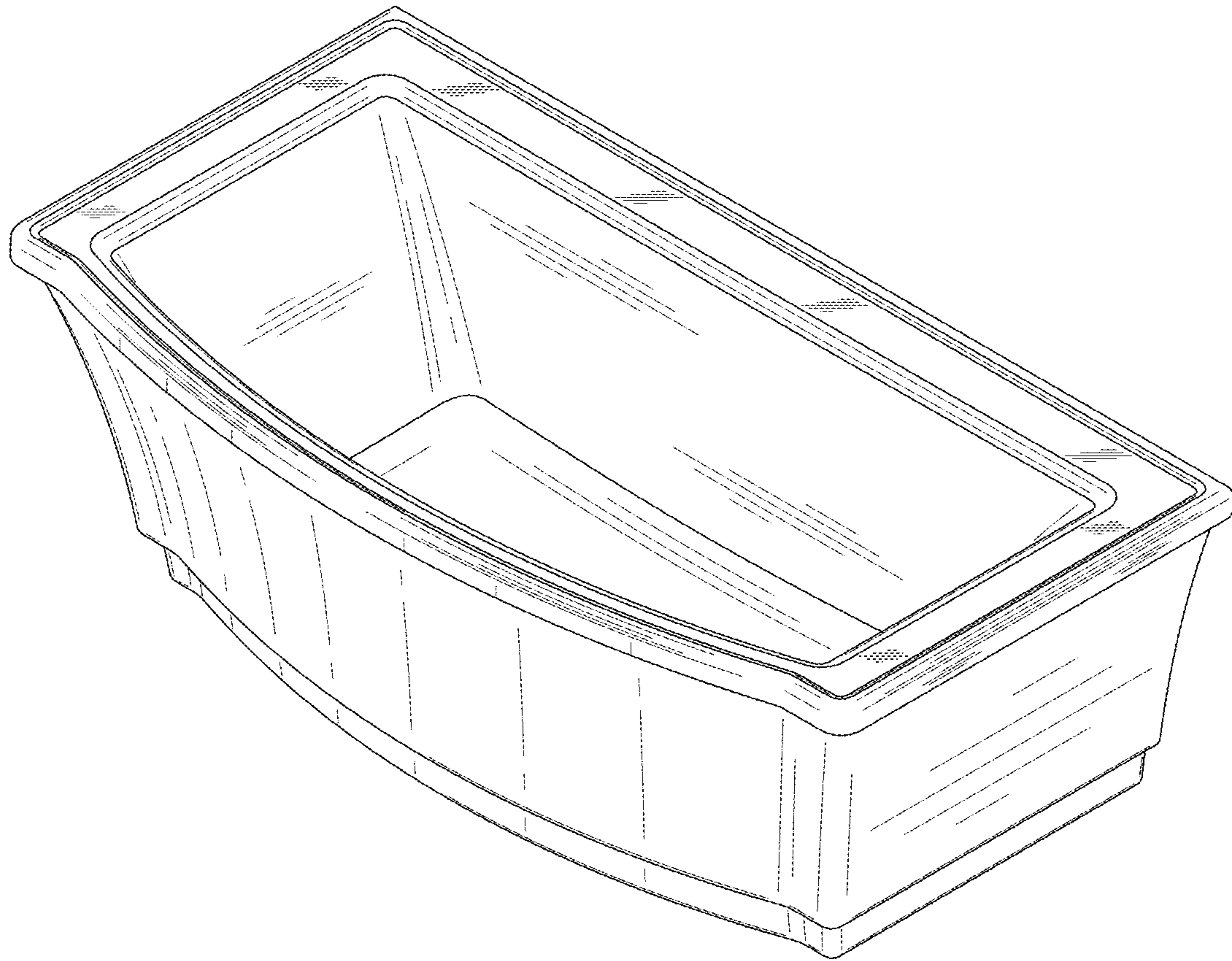


FIG. 1

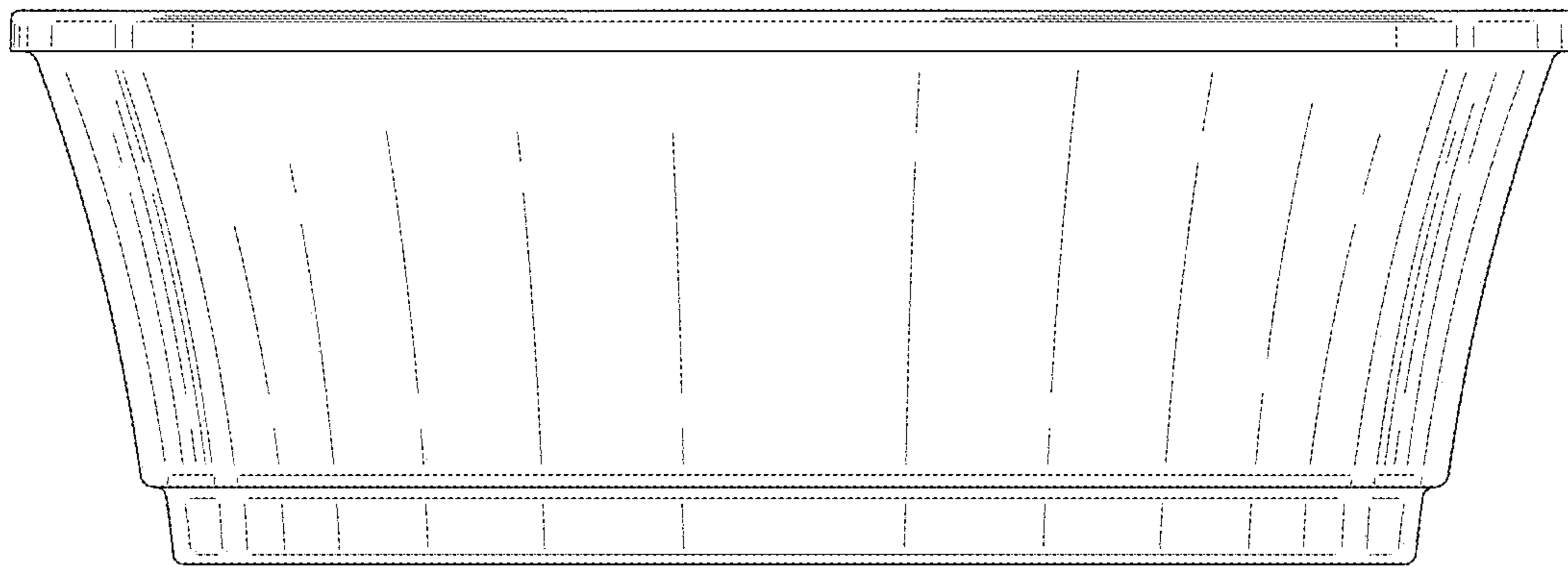


FIG. 2

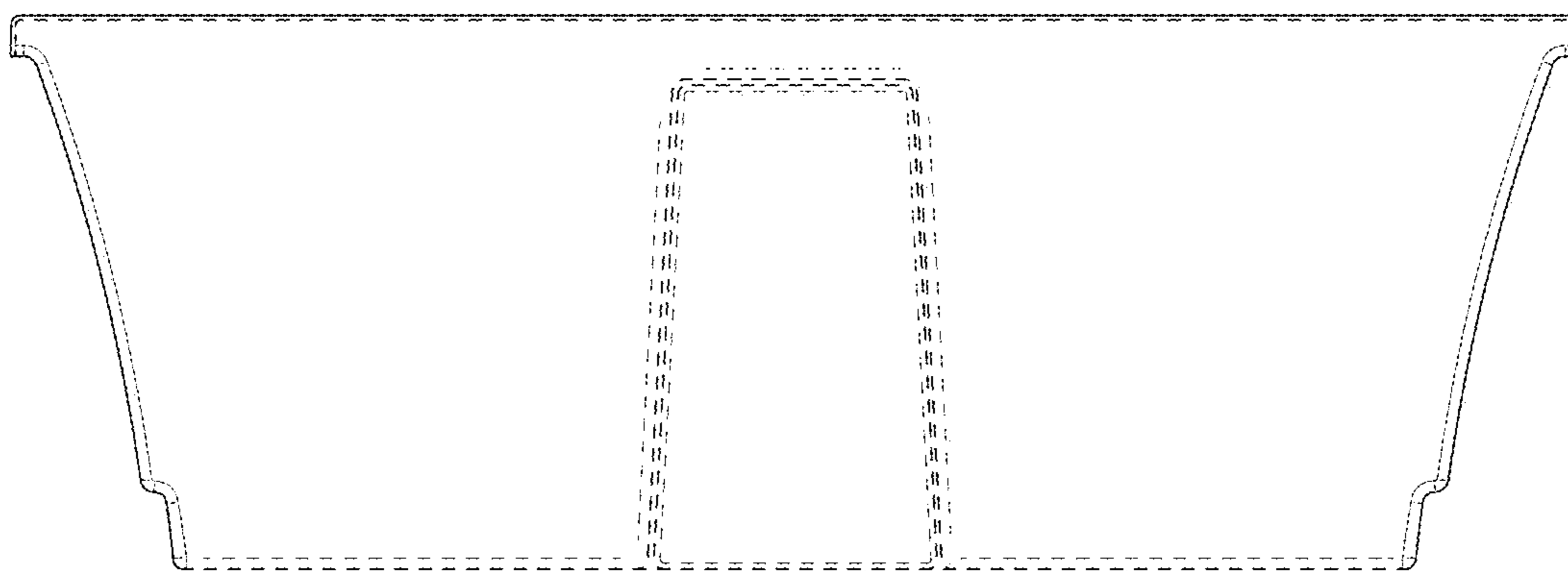


FIG. 3

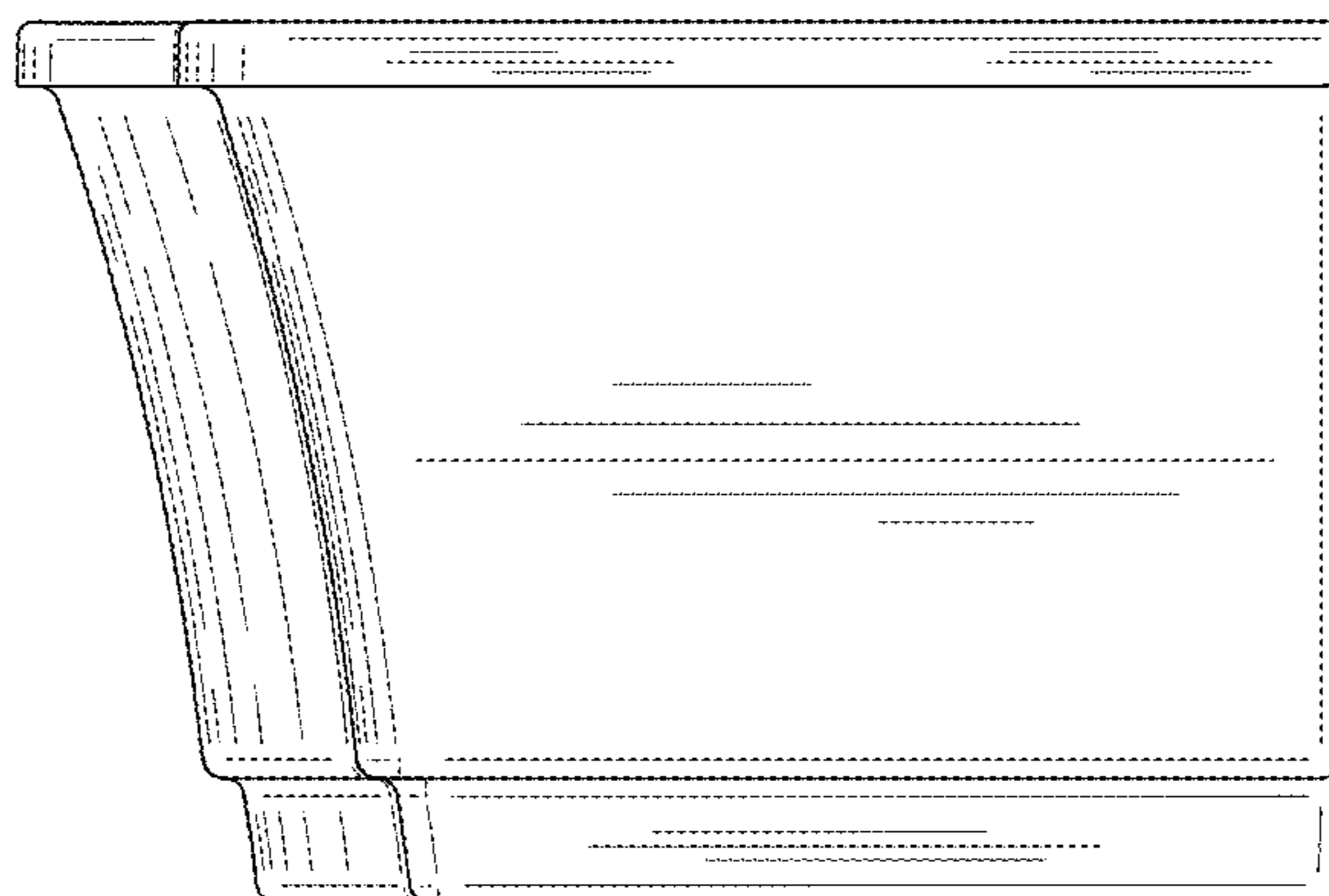


FIG. 4

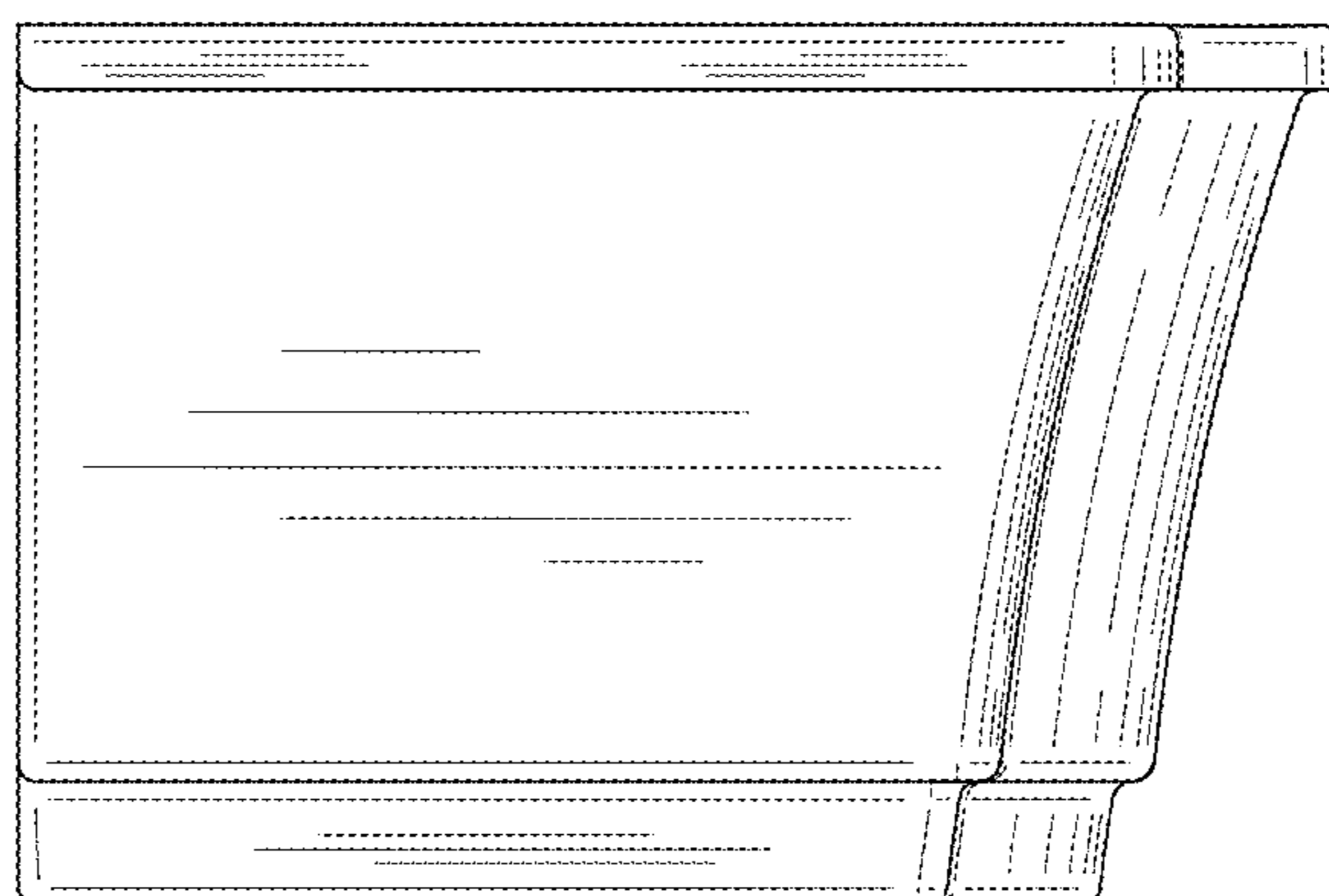


FIG. 5

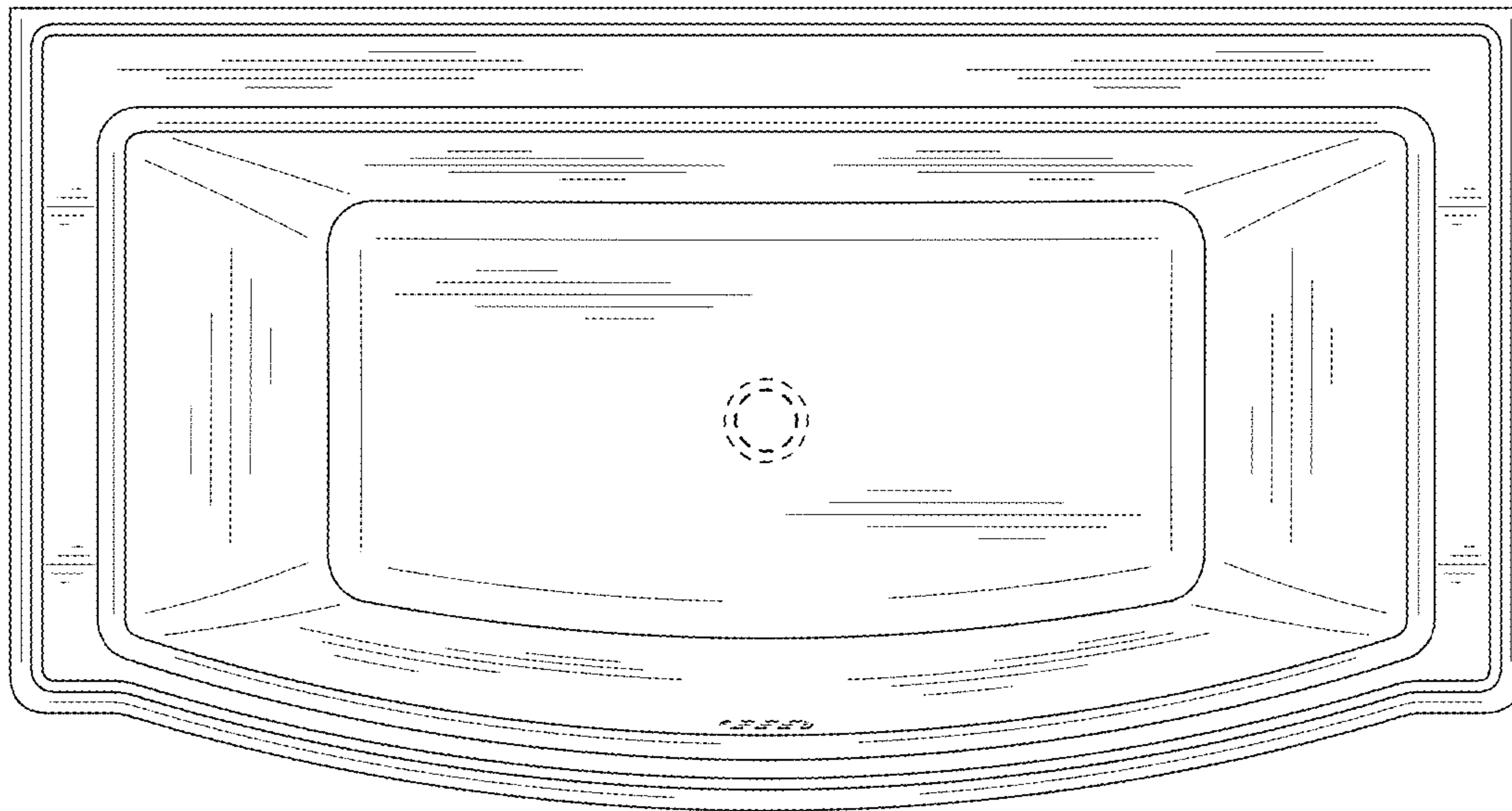


FIG. 6

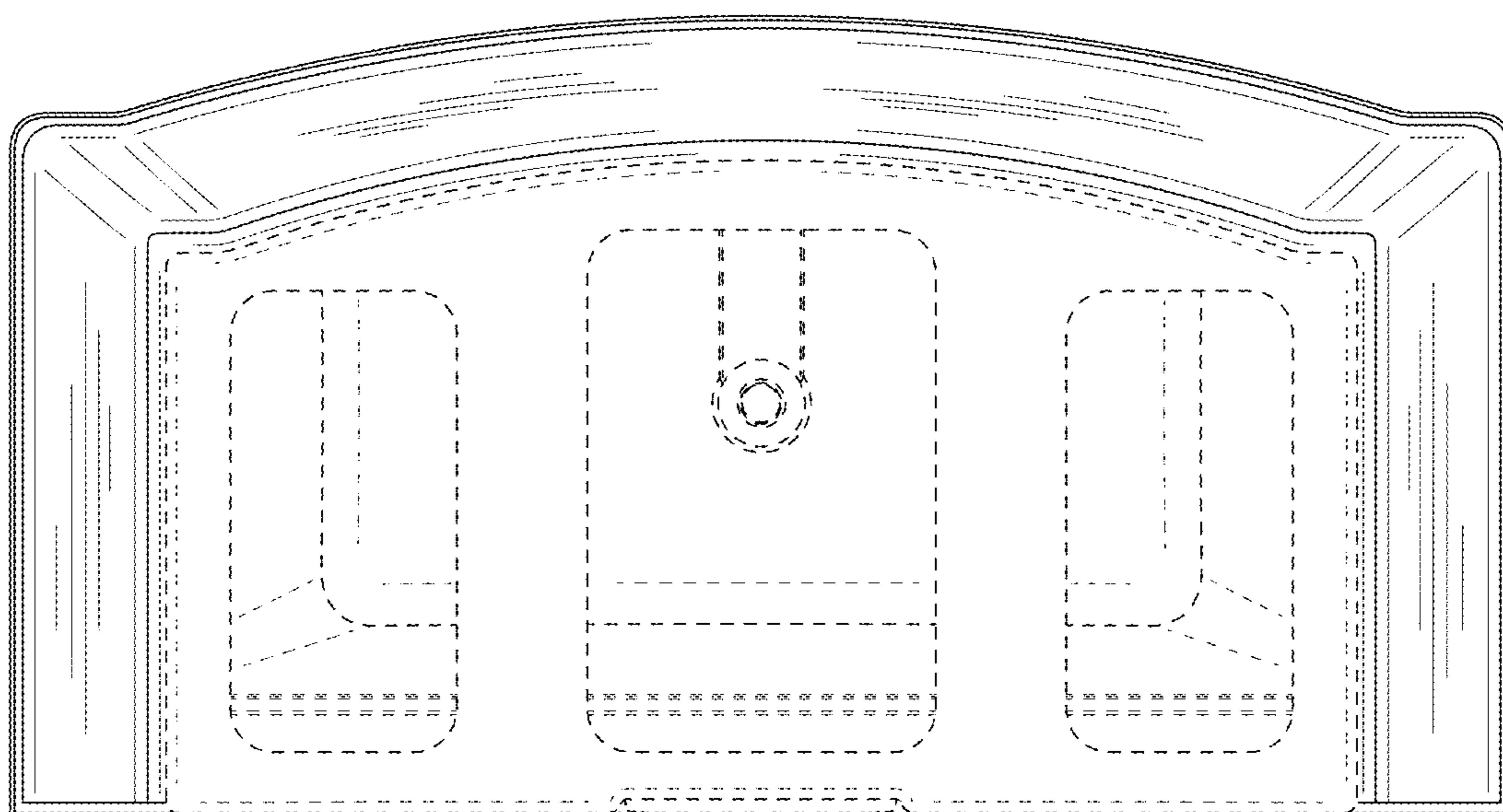


FIG. 7