



US00D937992S

(12) **United States Design Patent** (10) **Patent No.:** **US D937,992 S**
Liu et al. (45) **Date of Patent:** **** Dec. 7, 2021**

(54) **FLEXIBLE HOSE WITH HOSE CONNECTOR**

(71) Applicants: **Jian Chun Liu**, Jiangsu (CN); **Qun Li Liu**, Jiangsu (CN)

(72) Inventors: **Jian Chun Liu**, Jiangsu (CN); **Qun Li Liu**, Jiangsu (CN)

(73) Assignee: **TAIZHOU XIANGZONG FIRE SAFETY EQUIPMENT CO., LTD.**, Jiangsu (CN)

(**) Term: **15 Years**

(21) Appl. No.: **29/728,636**

(22) Filed: **Mar. 20, 2020**

(51) **LOC (13) Cl.** **23-01**

(52) **U.S. Cl.**
USPC **D23/266**

(58) **Field of Classification Search**
USPC D23/259, 266, 262; 138/28, 108-109, 138/118, 118.1, 129, 137, 172-174, 121; 285/417-419
See application file for complete search history.

(56) **References Cited**

U.S. PATENT DOCUMENTS

D323,207 S *	1/1992	Cole	D23/266
D479,741 S *	9/2003	Chiu	D23/266
D586,435 S *	2/2009	Reckseen	D23/266
D724,187 S *	3/2015	Savage	D23/266
D731,032 S *	6/2015	Yang	D23/266
D744,072 S *	11/2015	Wildfang	D23/266
D812,202 S *	3/2018	Blanchette	D23/266
D837,952 S *	1/2019	Wildfang	D23/266
D873,391 S *	1/2020	Xie	D23/266

2008/0190506 A1* 8/2008 Cleveland F16L 11/125
138/110
2013/0213514 A1* 8/2013 Berardi F16L 11/04
138/109
2017/0363236 A1* 12/2017 Rose F16L 33/01
2018/0347738 A1* 12/2018 Zhang F16L 11/10

* cited by examiner

Primary Examiner — Amy C Wierenga

(57) **CLAIM**

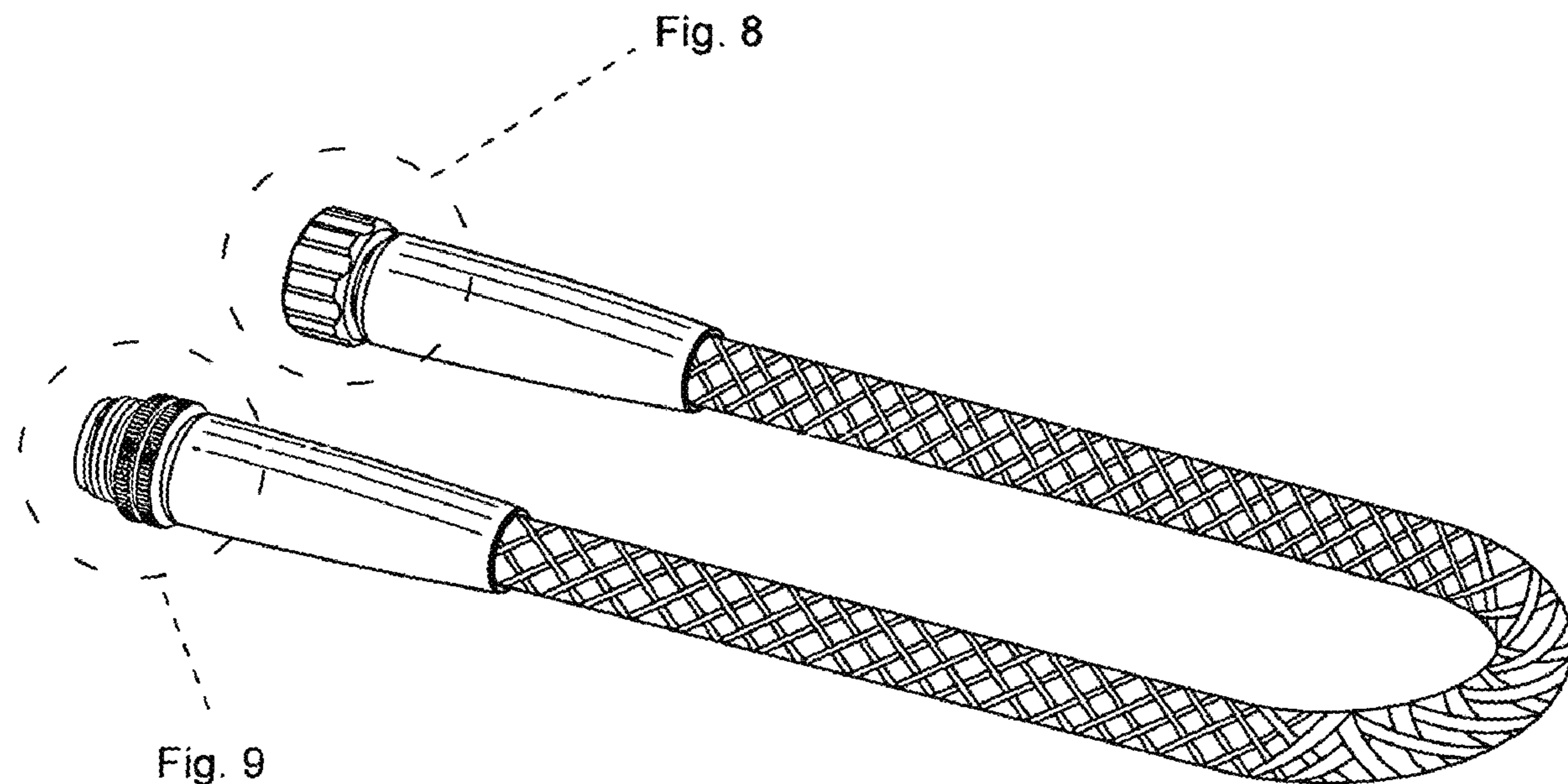
The ornamental design for a flexible hose with hose connector, as shown and described.

DESCRIPTION

FIG. 1 is a perspective view of a flexible hose with hose connector according to the present invention; FIG. 2 is a front elevation view thereof; FIG. 3 is a rear elevation view thereof; FIG. 4 is a left side view thereof; FIG. 5 is a right side view thereof; FIG. 6 is an enlarged top plan view thereof; FIG. 7 is an enlarged bottom plan view thereof; FIG. 8 is an enlarged perspective detail view of a feature thereof shown in FIG. 1; FIG. 9 is an enlarged perspective detail view of a feature thereof shown in FIG. 1; FIG. 10 is an enlarged front elevation detail view of a feature thereof shown in FIG. 2; and, FIG. 11 is an enlarged front elevation detail view of a feature thereof shown in FIG. 2.

The broken lines shown in FIG. 6 illustrate portions of the flexible hose with hose connector that form no part of the claim. The dashed broken line shown in FIGS. 1-2 and 8-11 indicates cutoff boundaries for enlarged detailed portion views and form no part of the claim.

1 Claim, 9 Drawing Sheets



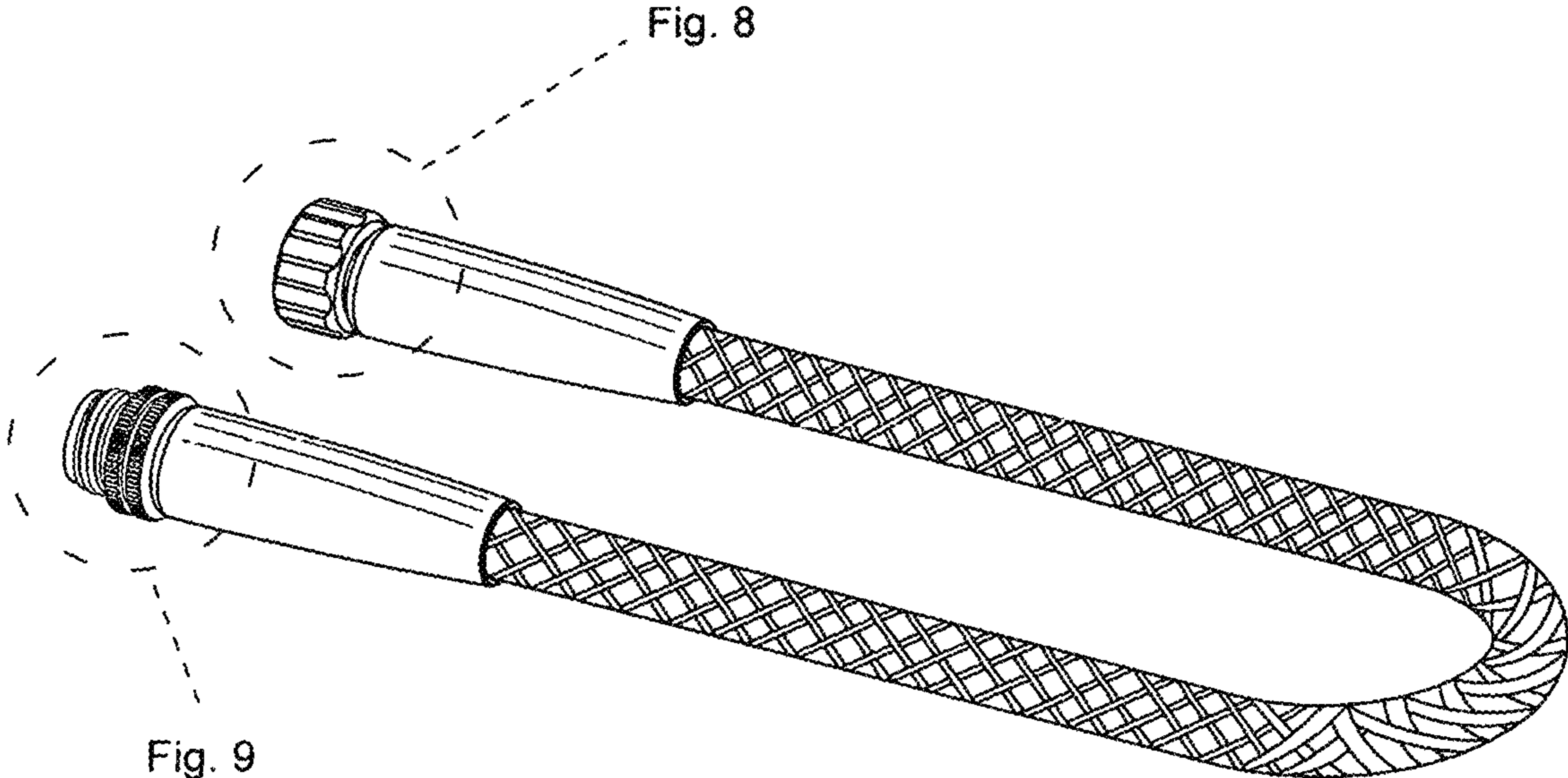


FIG. 1

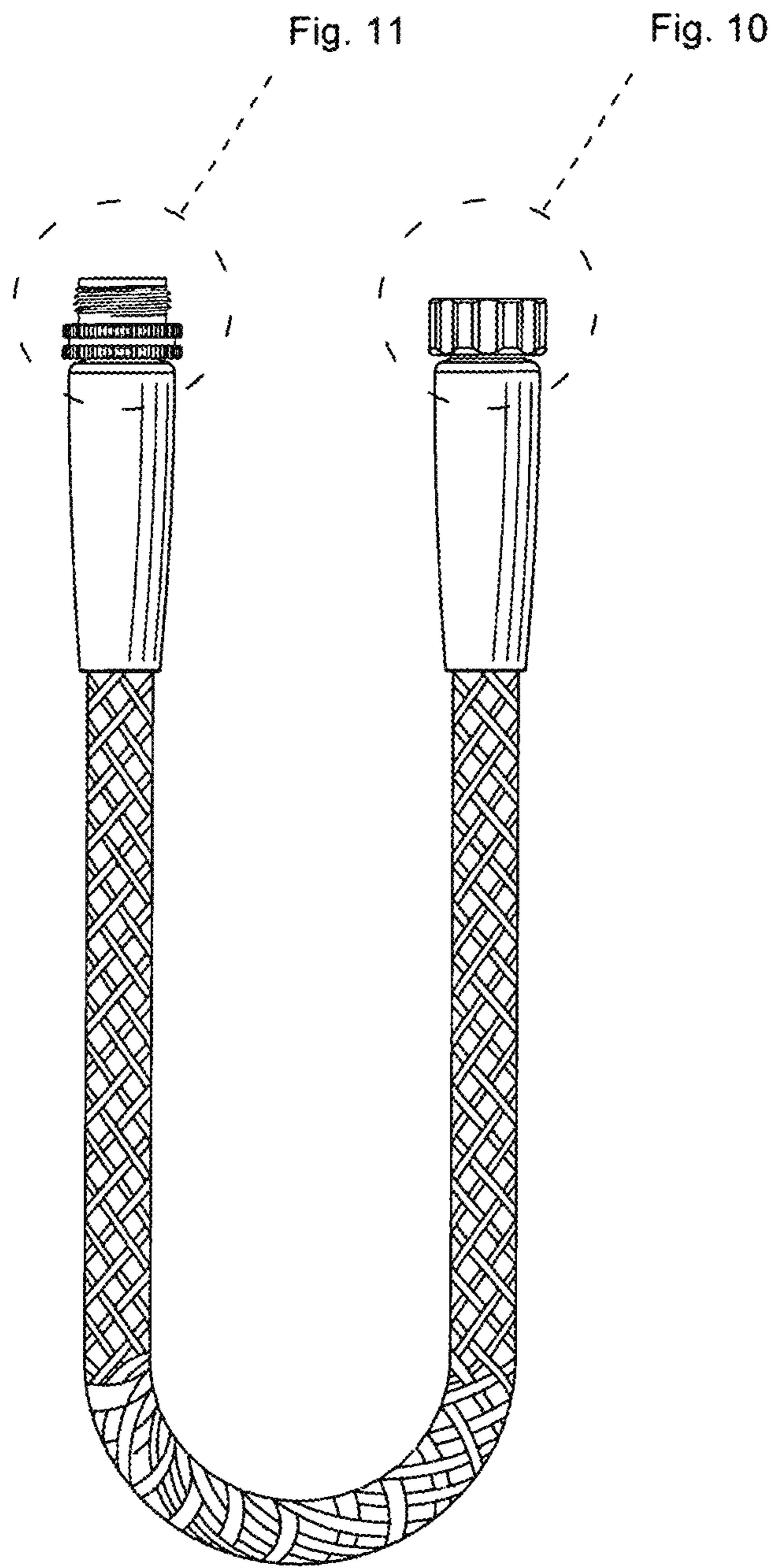


FIG. 2

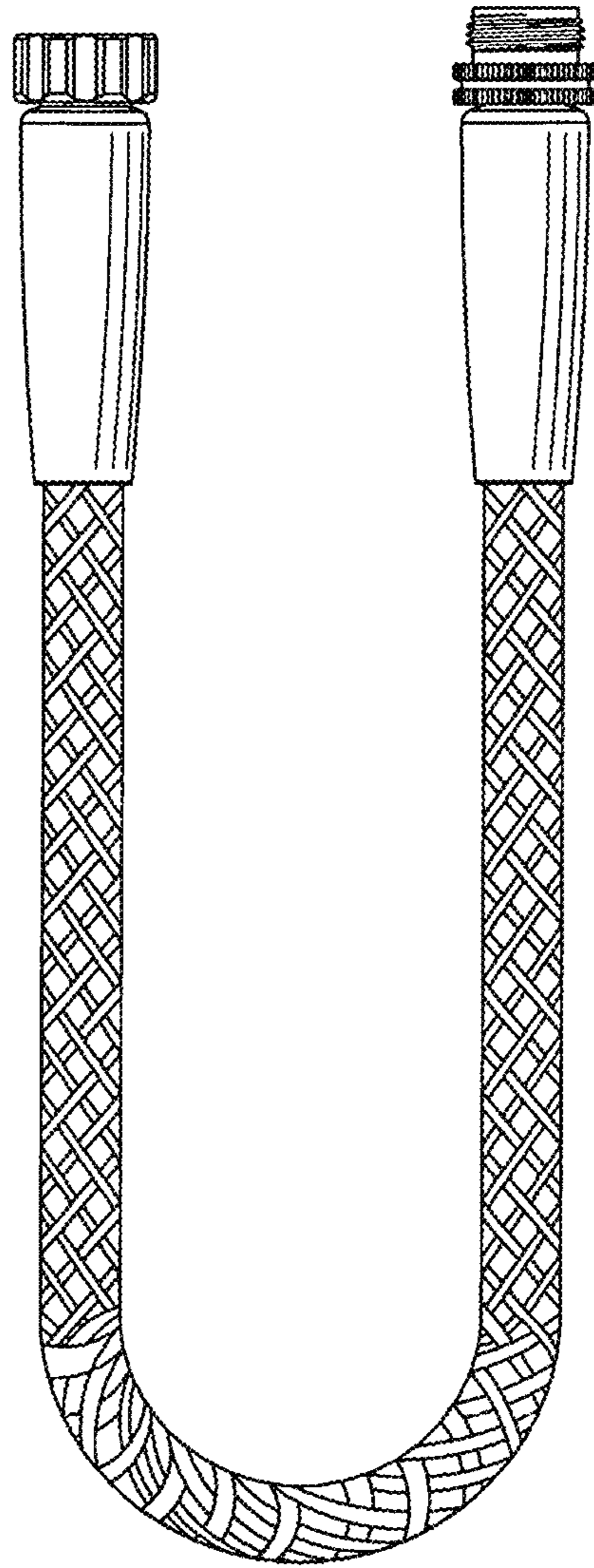


FIG. 3

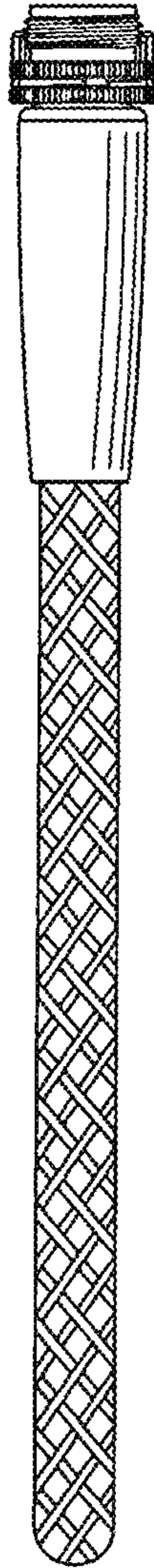


FIG. 4

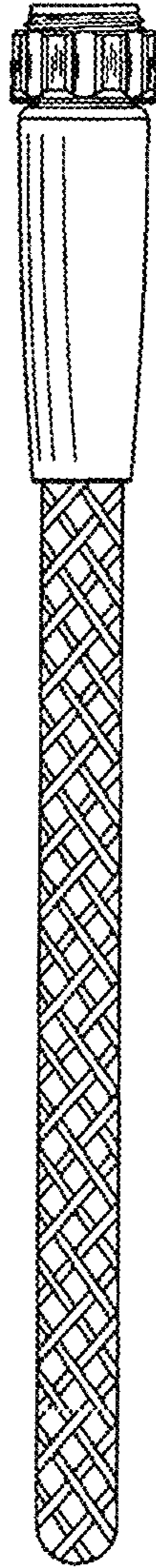


FIG. 5

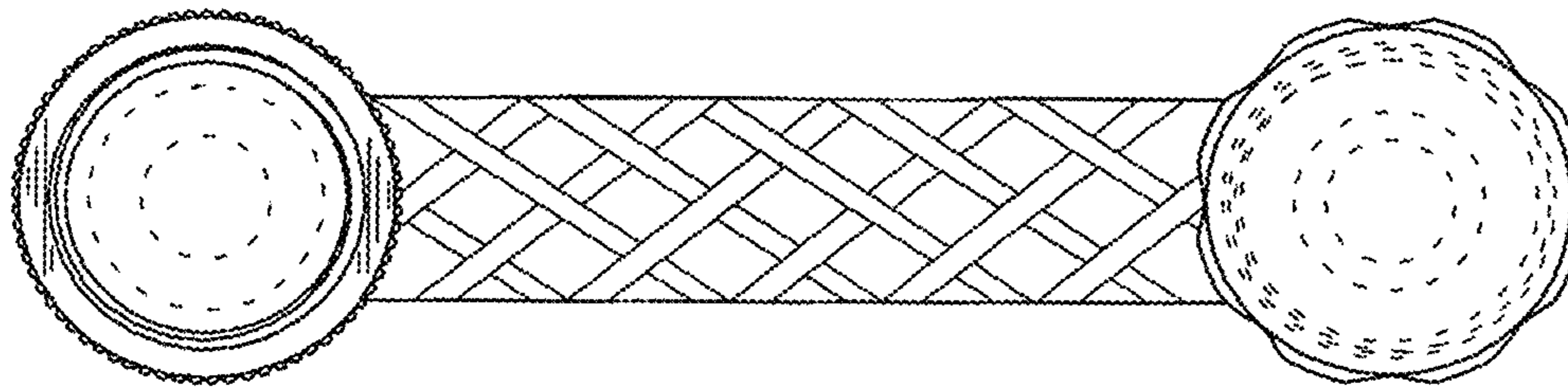


FIG. 6

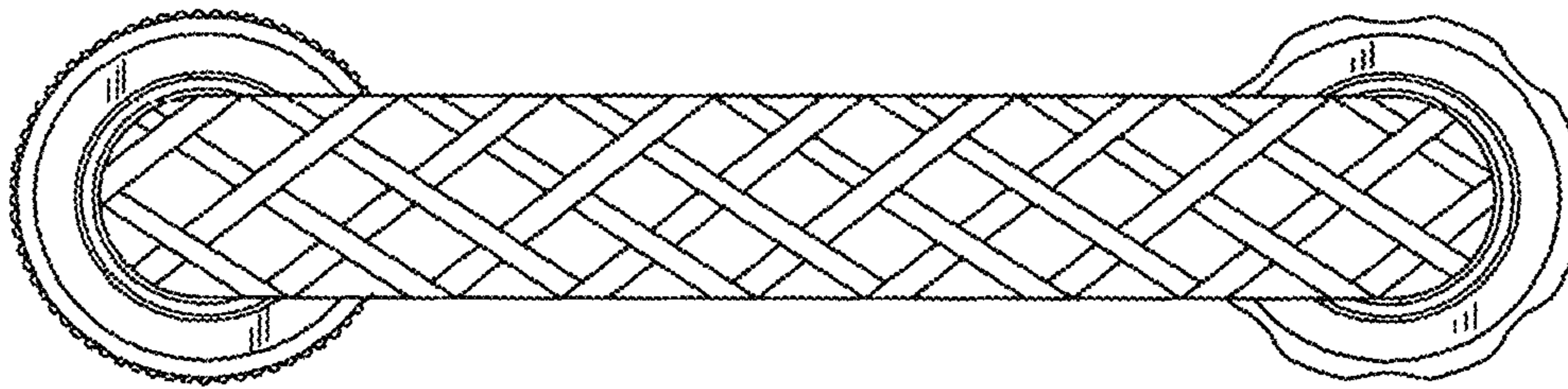


FIG. 7

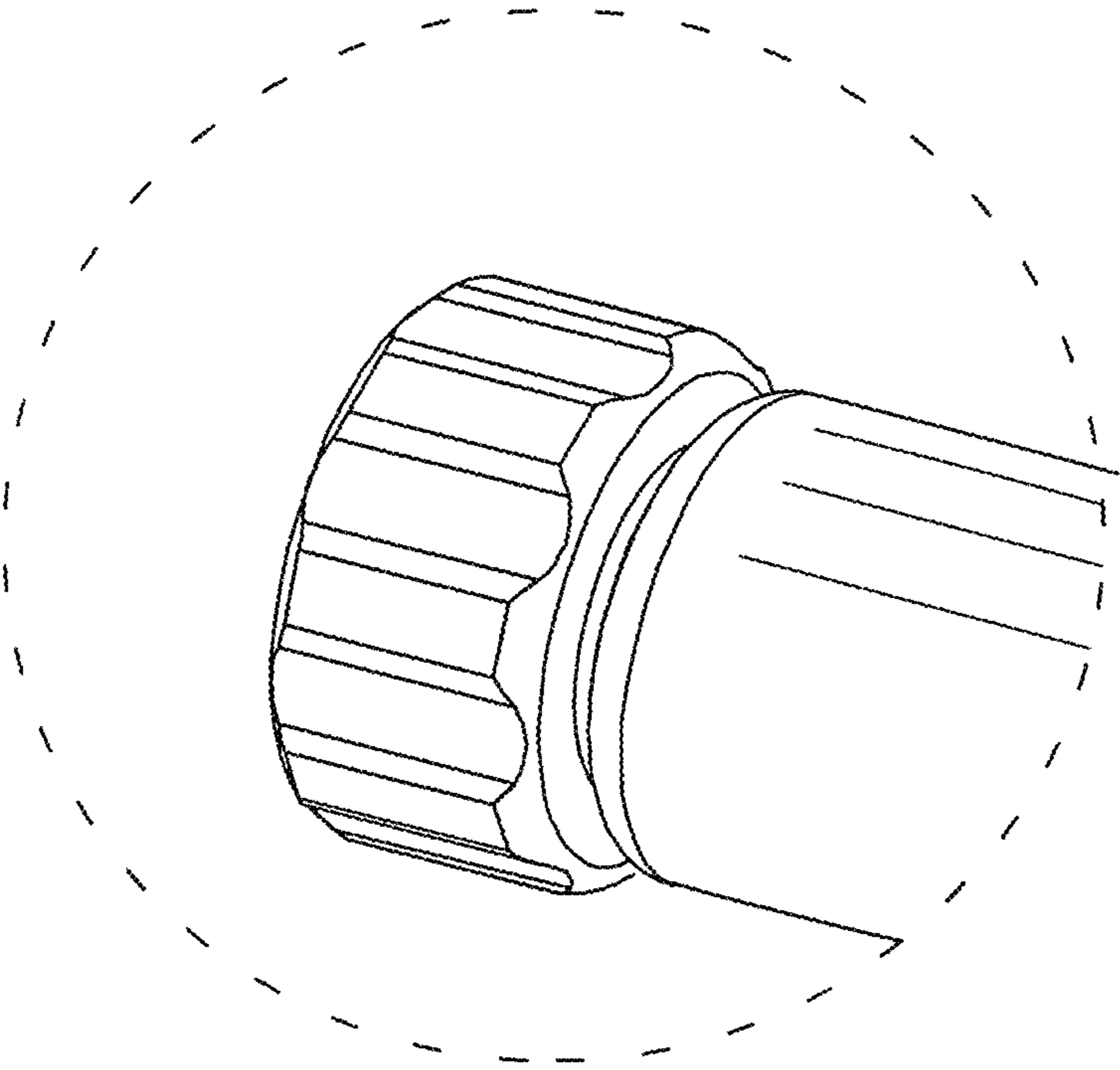


FIG. 8

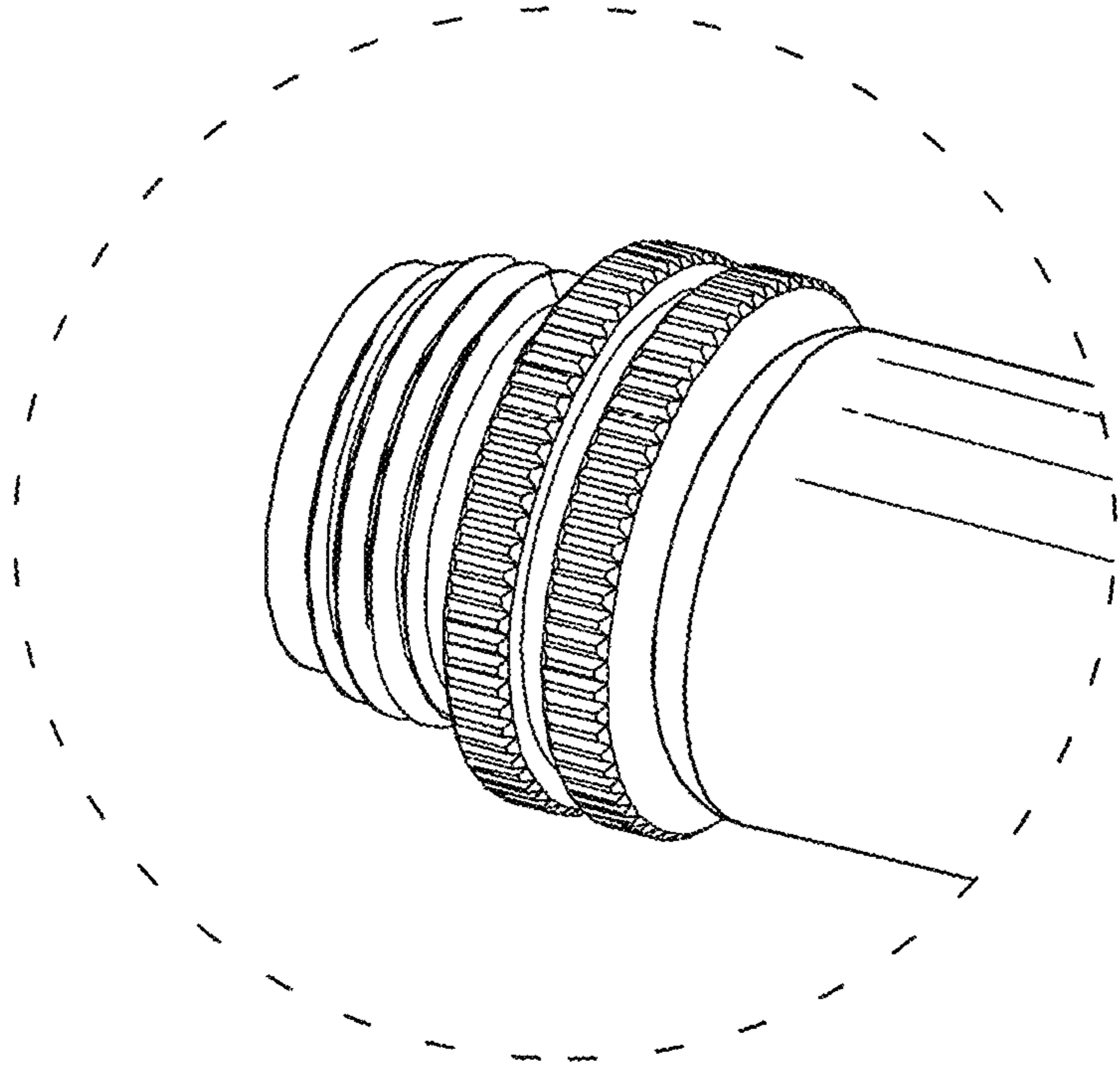


FIG. 9

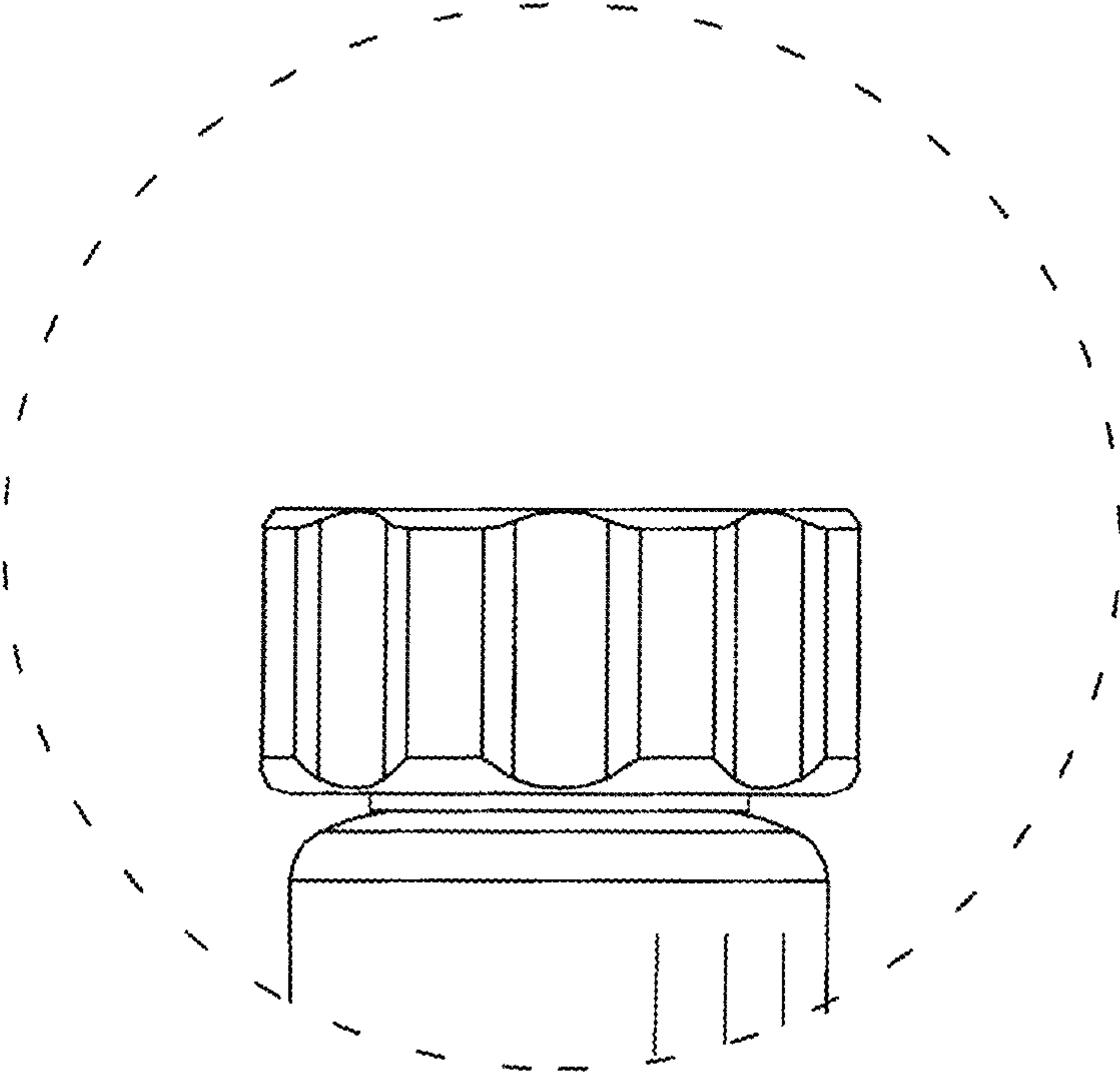


FIG. 10

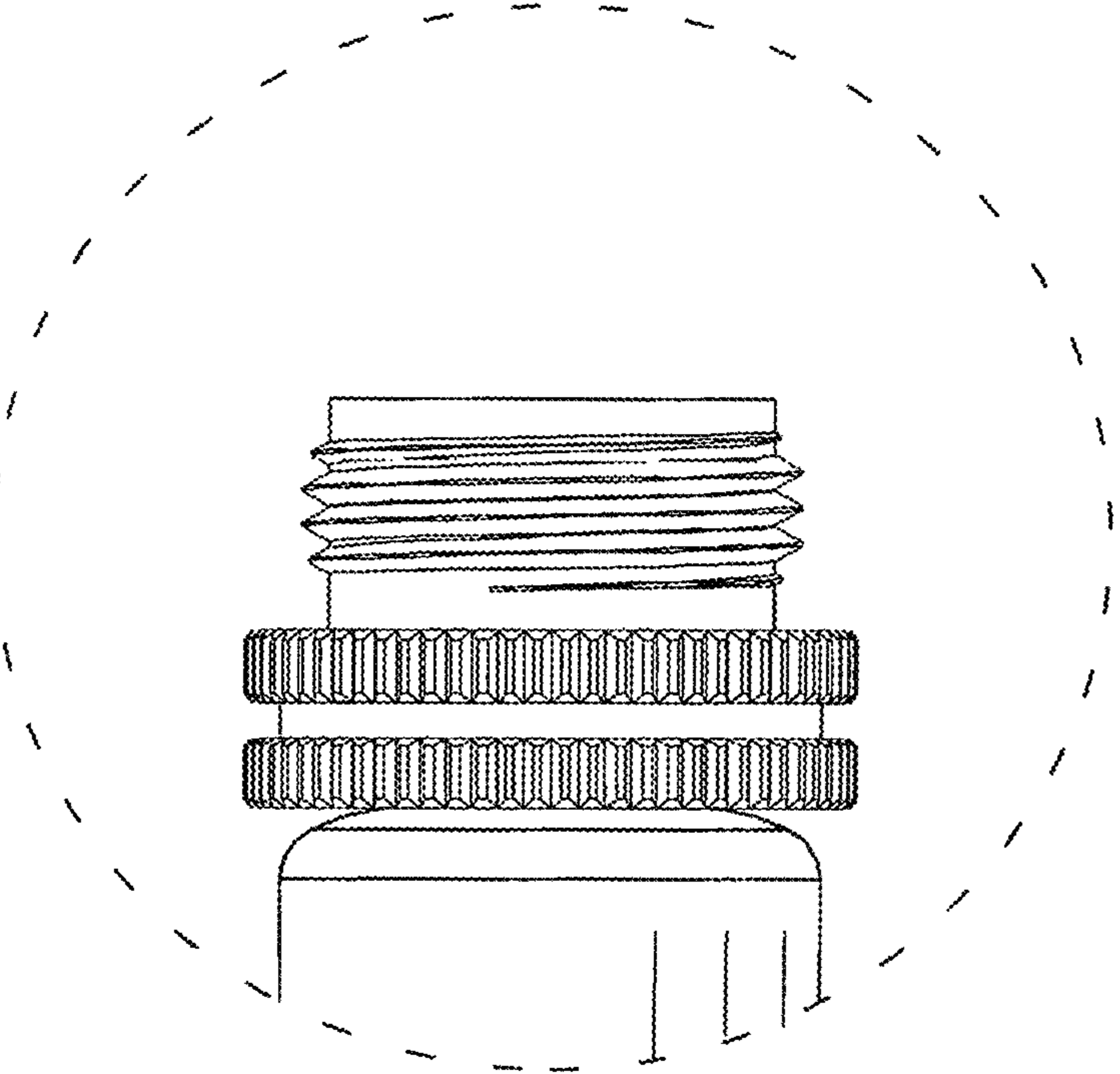


FIG. 11