



US00D937991S

(12) **United States Design Patent**
Webb

(10) **Patent No.:** **US D937,991 S**

(45) **Date of Patent:** **** Dec. 7, 2021**

(54) **COUPLING COVERING**
(71) Applicant: **SHUR-FIT PRODUCTS LTD.,**
Burnaby (CA)
(72) Inventor: **Jeff Webb,** Coquitlam (CA)
(73) Assignee: **SHUR-FIT PRODUCTS LTD.,**
Burnaby (CA)

(**) Term: **15 Years**

(21) Appl. No.: **29/722,431**

(22) Filed: **Jan. 29, 2020**

(30) **Foreign Application Priority Data**

Jul. 30, 2019 (CA) 188984

(51) **LOC (13) Cl.** **23-01**

(52) **U.S. Cl.**
USPC **D23/262; D23/269**

(58) **Field of Classification Search**
USPC D23/259, 262-265, 269; D8/394-396;
285/411
See application file for complete search history.

(56) **References Cited**

U.S. PATENT DOCUMENTS

5,651 A * 6/1848 West et al. F16L 23/10
285/411
3,251,615 A * 5/1966 Short, III F16L 17/04
285/112
6,076,861 A * 6/2000 Ikeda F16L 17/04
285/112

6,227,577 B1 * 5/2001 Ikeda F16L 17/04
285/112
7,516,636 B2 * 4/2009 Dole B21D 17/04
72/105
7,712,796 B2 * 5/2010 Gibb F16L 21/065
7,950,701 B2 * 5/2011 Dole F16L 23/08
285/367
D680,629 S * 4/2013 Beagen, Jr. D23/262
D696,751 S * 12/2013 Beagen, Jr. D23/269
8,623,184 B2 * 1/2014 Schnappenberger
H01J 37/3441
204/298.11
10,641,419 B2 * 5/2020 Ohnemus F16L 21/065
2004/0036291 A1 * 2/2004 Dole F16L 21/06
285/367
2005/0253383 A1 * 11/2005 Gibb F16L 21/065
285/112

* cited by examiner

Primary Examiner — Amy C Wierenga

(74) *Attorney, Agent, or Firm* — Nexus Law Group LLP

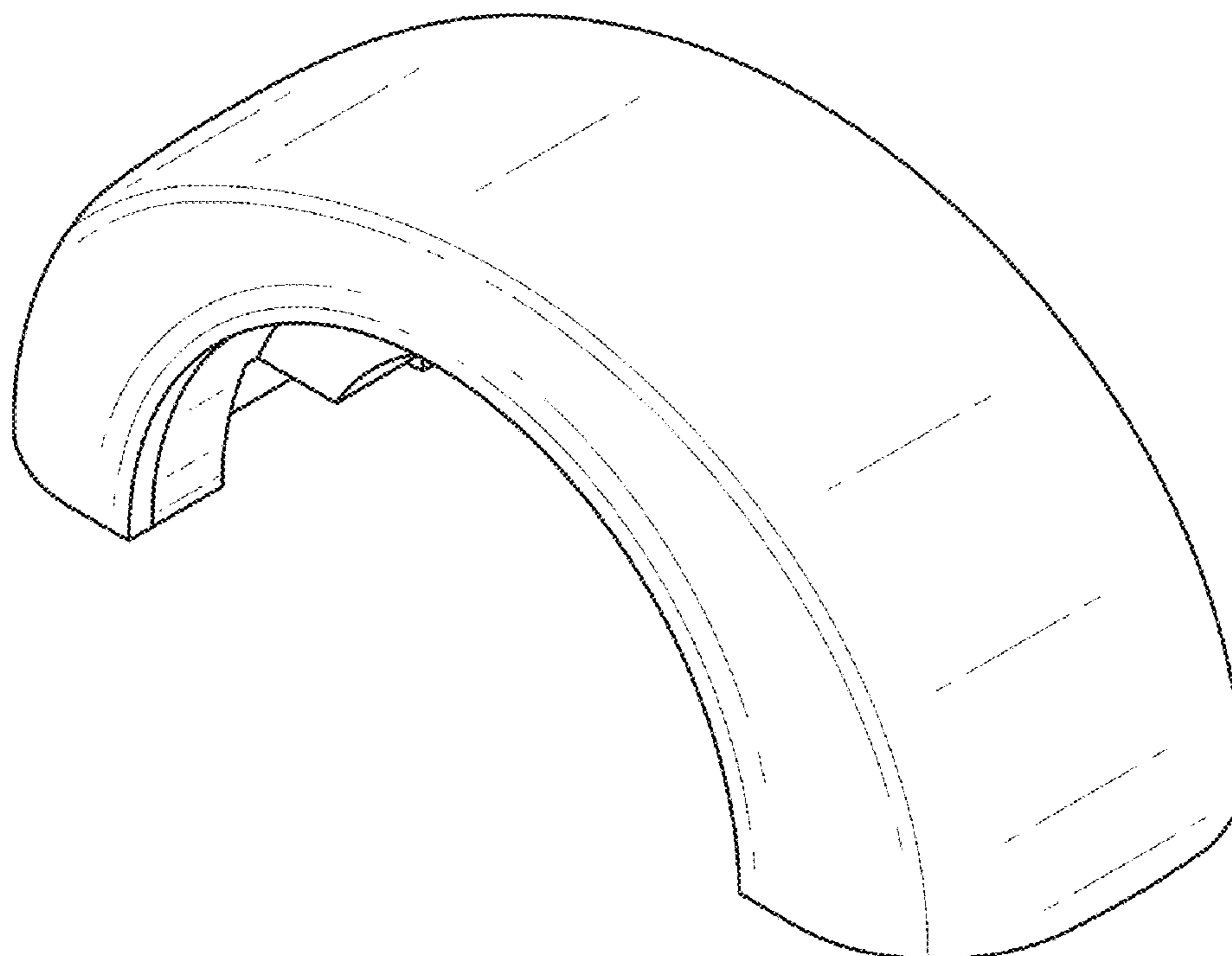
(57) **CLAIM**

The ornamental design for a coupling covering, as shown and described.

DESCRIPTION

FIG. 1 is a top isometric view of the coupling covering showing the new design;
FIG. 2 is a bottom isometric view thereof;
FIG. 3 is a top plan view thereof;
FIG. 4 is a front plan view thereof, the rear plan view being a mirror image of the front plan view; and,
FIG. 5 is a bottom plan view thereof.

1 Claim, 2 Drawing Sheets



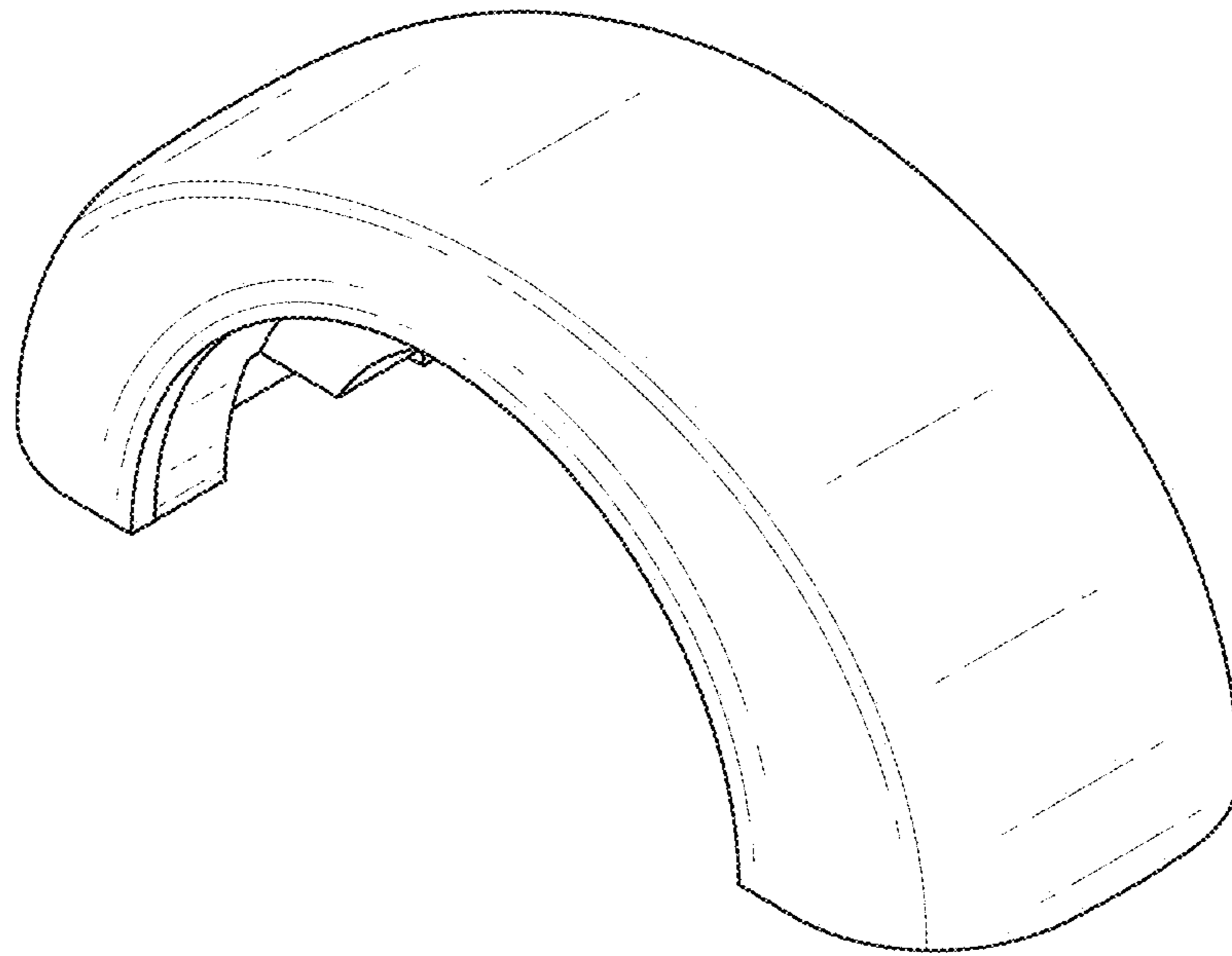


FIG. 1

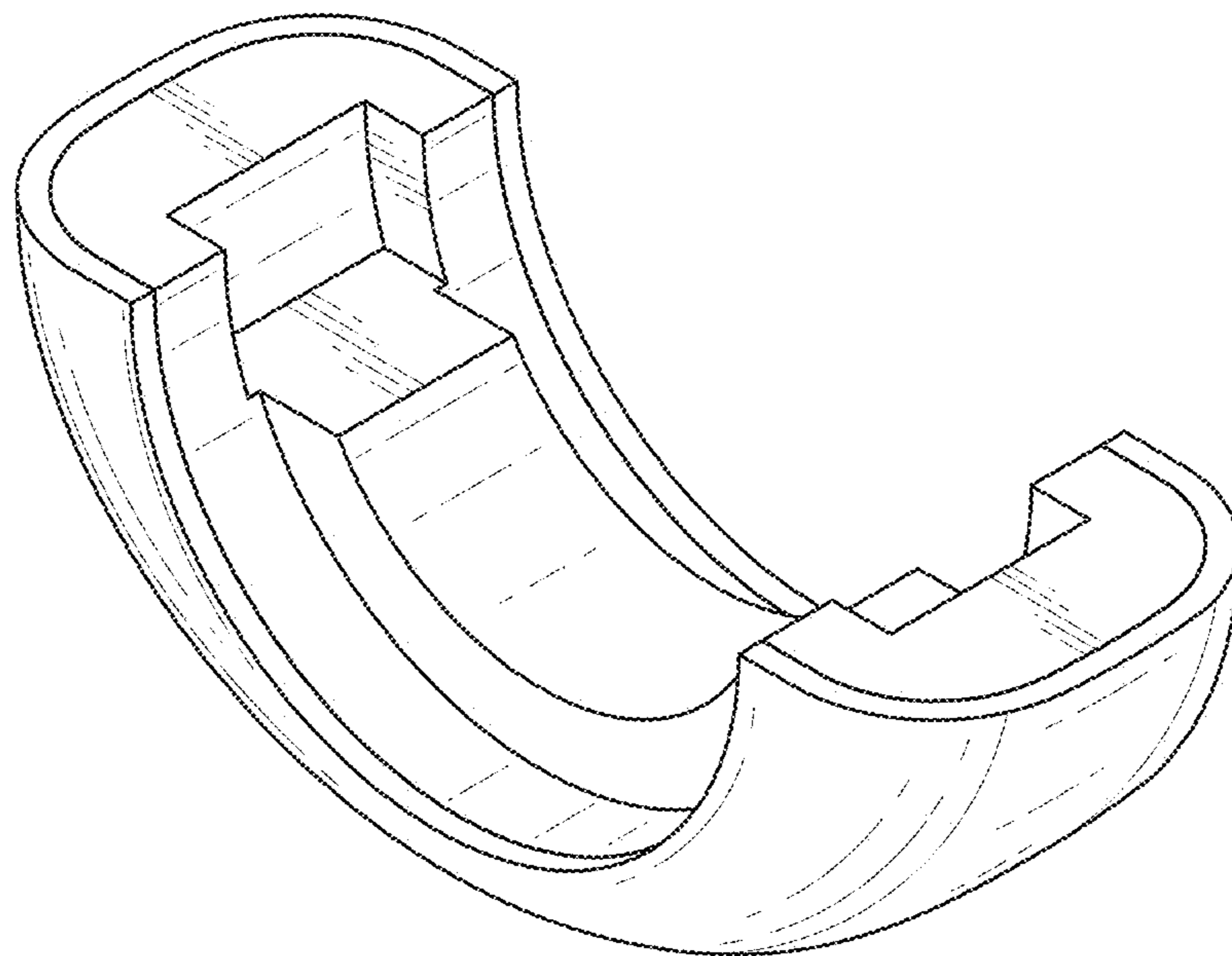


FIG. 2

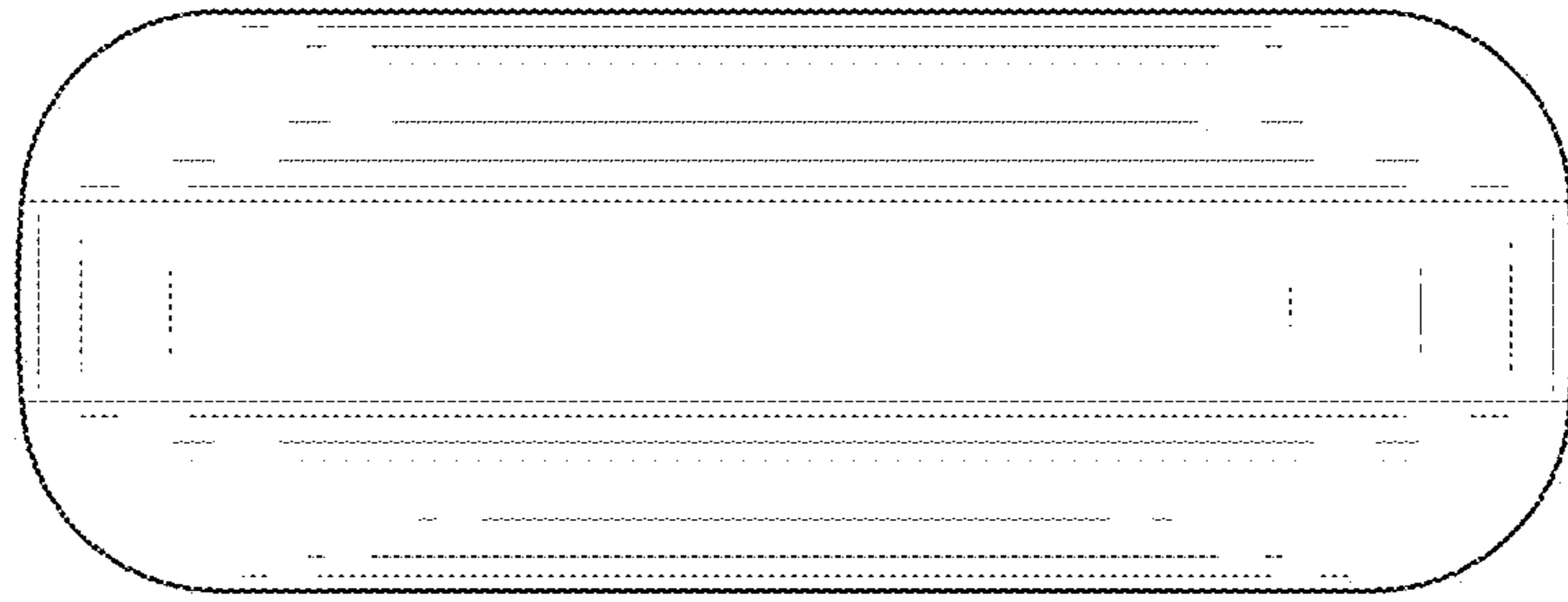


FIG. 3

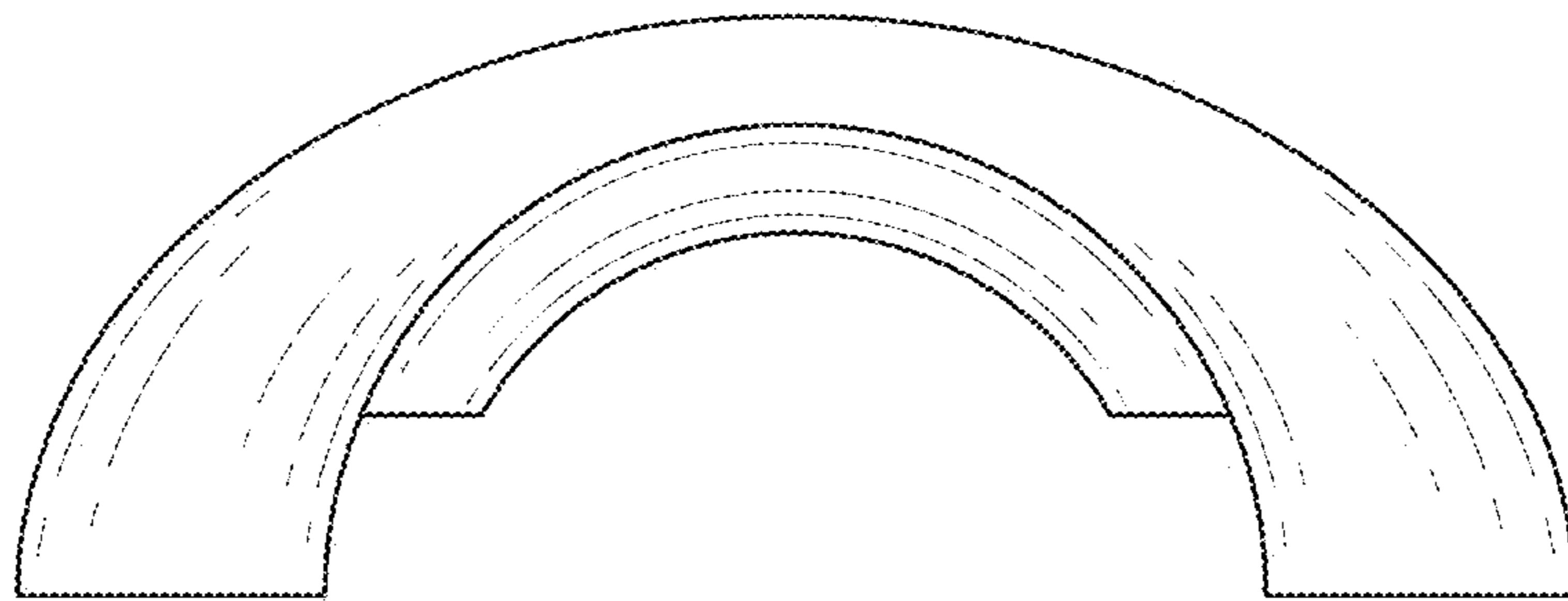


FIG. 4

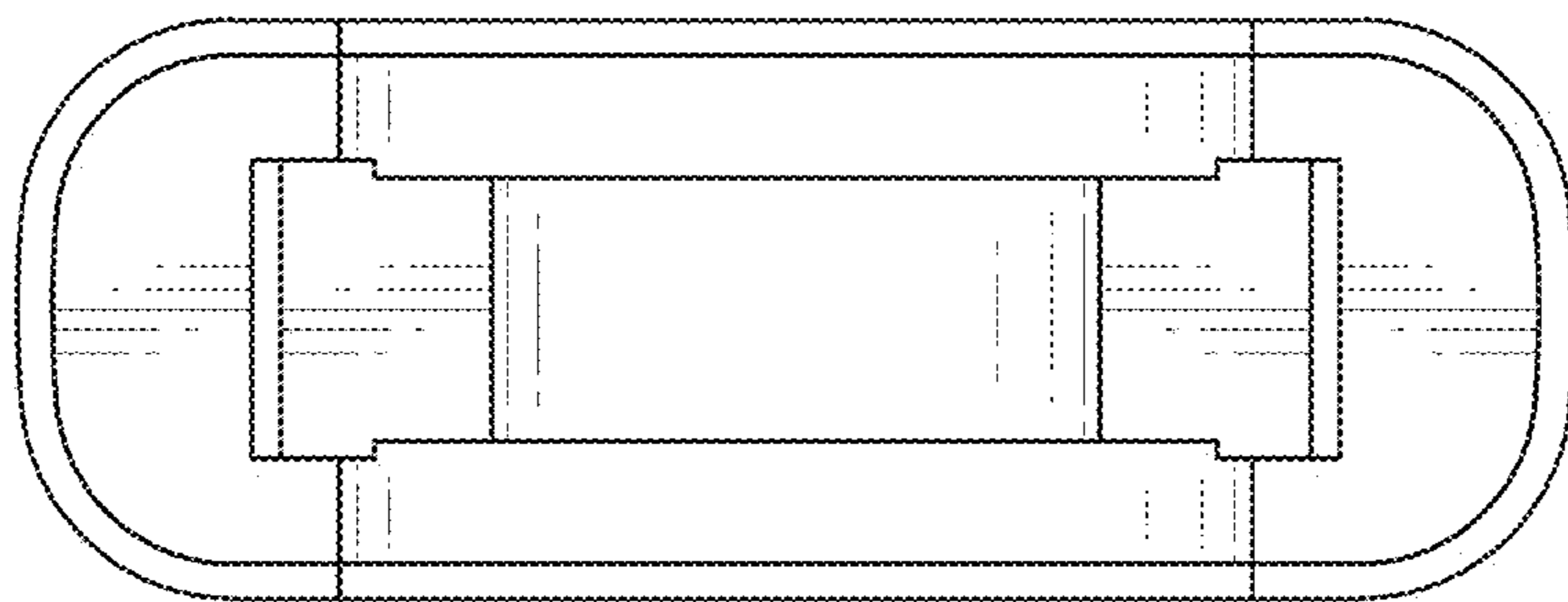


FIG. 5