



US00D937990S

(12) **United States Design Patent** (10) **Patent No.:** **US D937,990 S**
Dunn et al. (45) **Date of Patent:** **** Dec. 7, 2021**

(54) **GAS HOSE WITH GAUGE**

(56) **References Cited**

(71) Applicant: **TCG Partners LLC _ Intellectual Property Series**, Houston, TX (US)

U.S. PATENT DOCUMENTS

(72) Inventors: **Stephen Paul Dunn**, Houston, TX (US); **Griffin Tyler Jaggard**, Houston, TX (US); **Hunter Ryan Jaggard**, Houston, TX (US)

D822,800 S *	7/2018	Naslund	D23/262
D832,984 S *	11/2018	Khubani	D23/262
D833,585 S *	11/2018	Khubani	D23/262
D834,154 S *	11/2018	Khubani	D23/262
D835,244 S *	12/2018	Khubani	D23/262

* cited by examiner

(73) Assignee: **TCG Partners LLC—Intellectual Property Series**, Houston, TX (US)

Primary Examiner — Gino Colan

(74) *Attorney, Agent, or Firm* — Phillip Black; Dossey & Jones PLLC

(**) Term: **15 Years**

(57) **CLAIM**

The ornamental design for a gas hose with gauge, as shown and described.

(21) Appl. No.: **29/717,006**

DESCRIPTION

(22) Filed: **Dec. 13, 2019**

(51) **LOC (13) Cl.** **23-01**

(52) **U.S. Cl.**
USPC **D23/262**

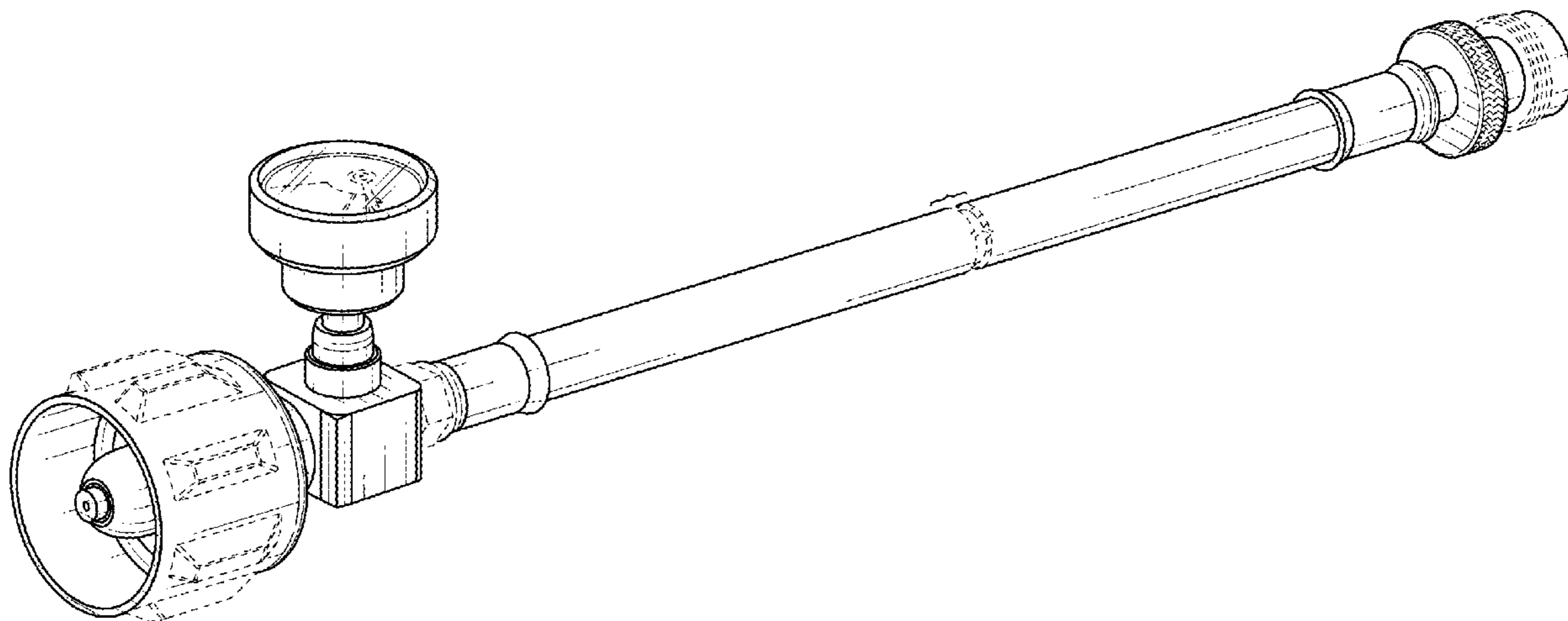
(58) **Field of Classification Search**
USPC D23/262; 138/125, 126
CPC . B29C 48/09; F16L 11/04; F16L 53/00; F16L 53/70; F16L 11/00; B29L 2023/005; B29L 2597/00; B32B 1/08

FIG. 1 is perspective front view of the gas hose with gauge; FIG. 2 is a first side view thereof; FIG. 3 is a second side view thereof; FIG. 4 is a first end view thereof; FIG. 5 is a second end view thereof; FIG. 6 is a top view thereof; and, FIG. 7 is a bottom view thereof.

The broken lines in the drawings form no part of the claimed design.

See application file for complete search history.

1 Claim, 4 Drawing Sheets



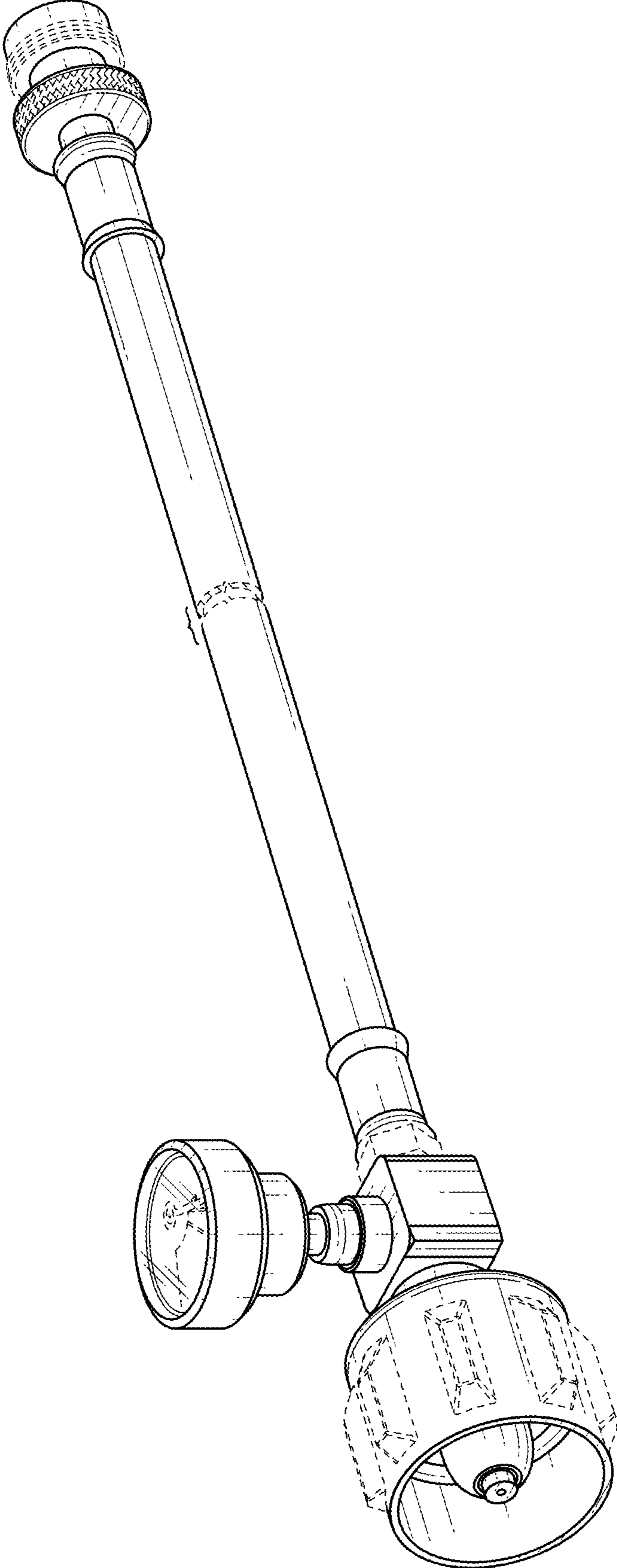


FIG. 1

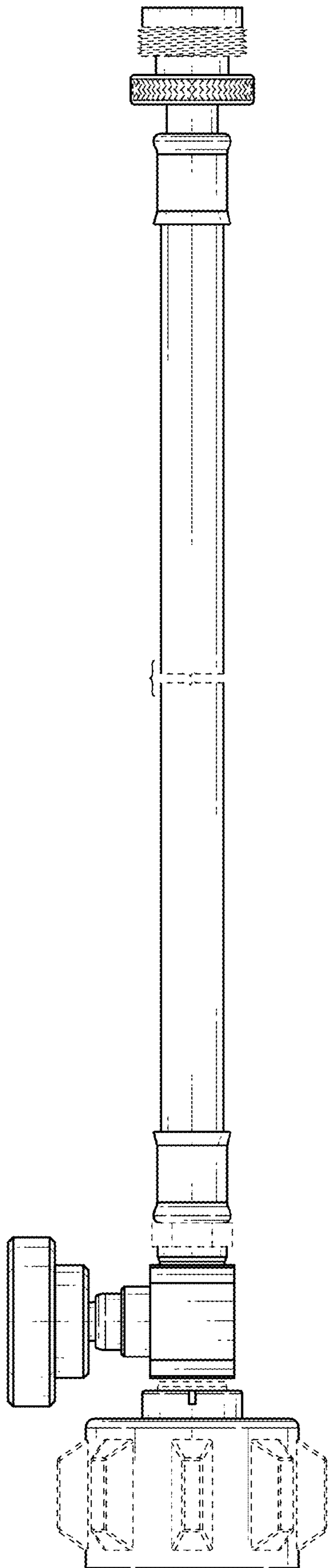


FIG. 2

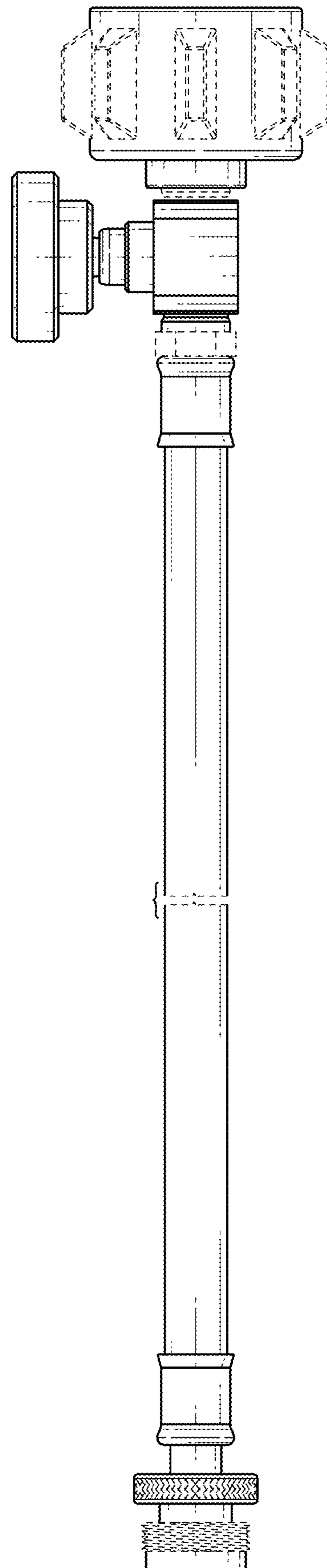


FIG. 3

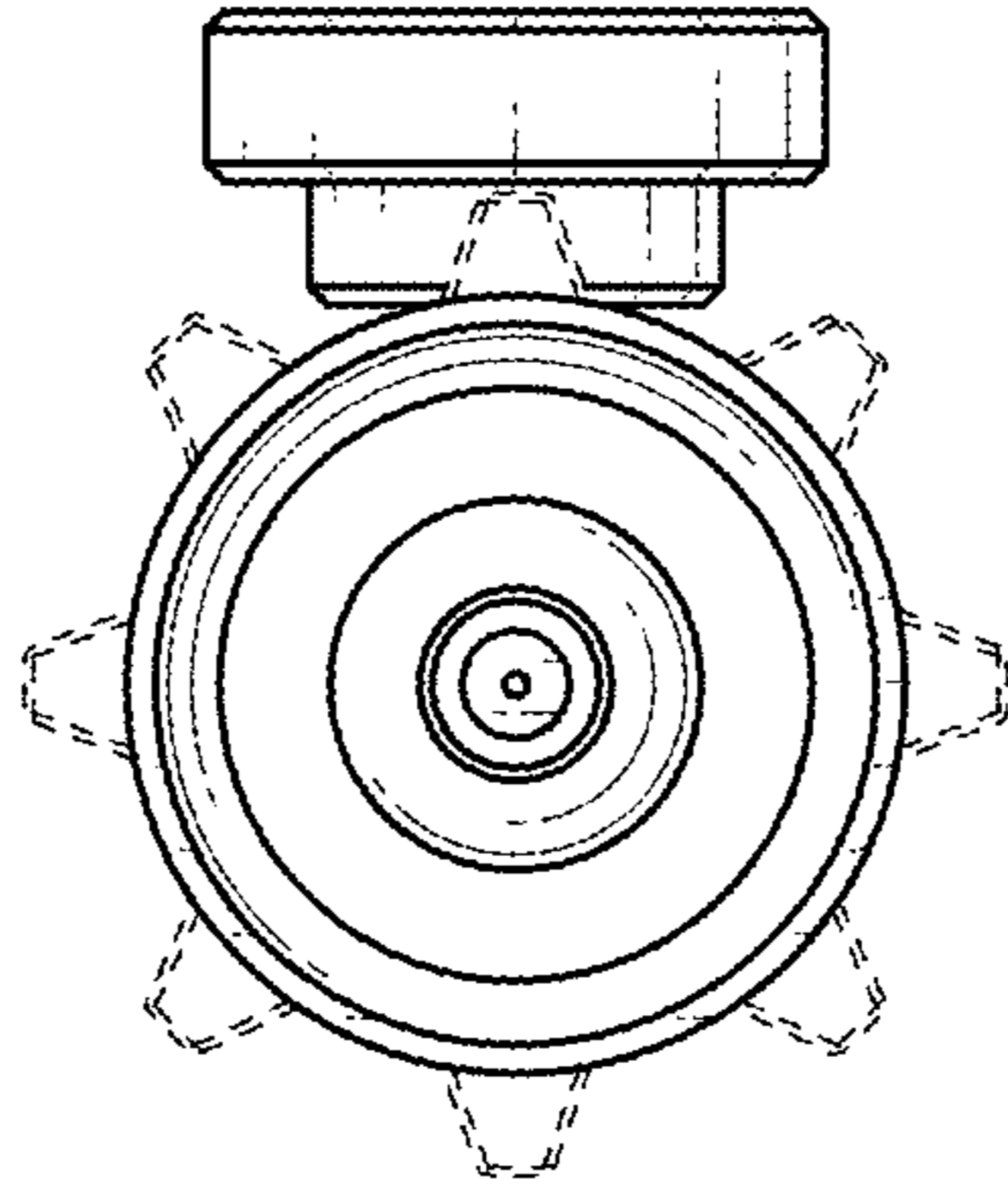


FIG. 4

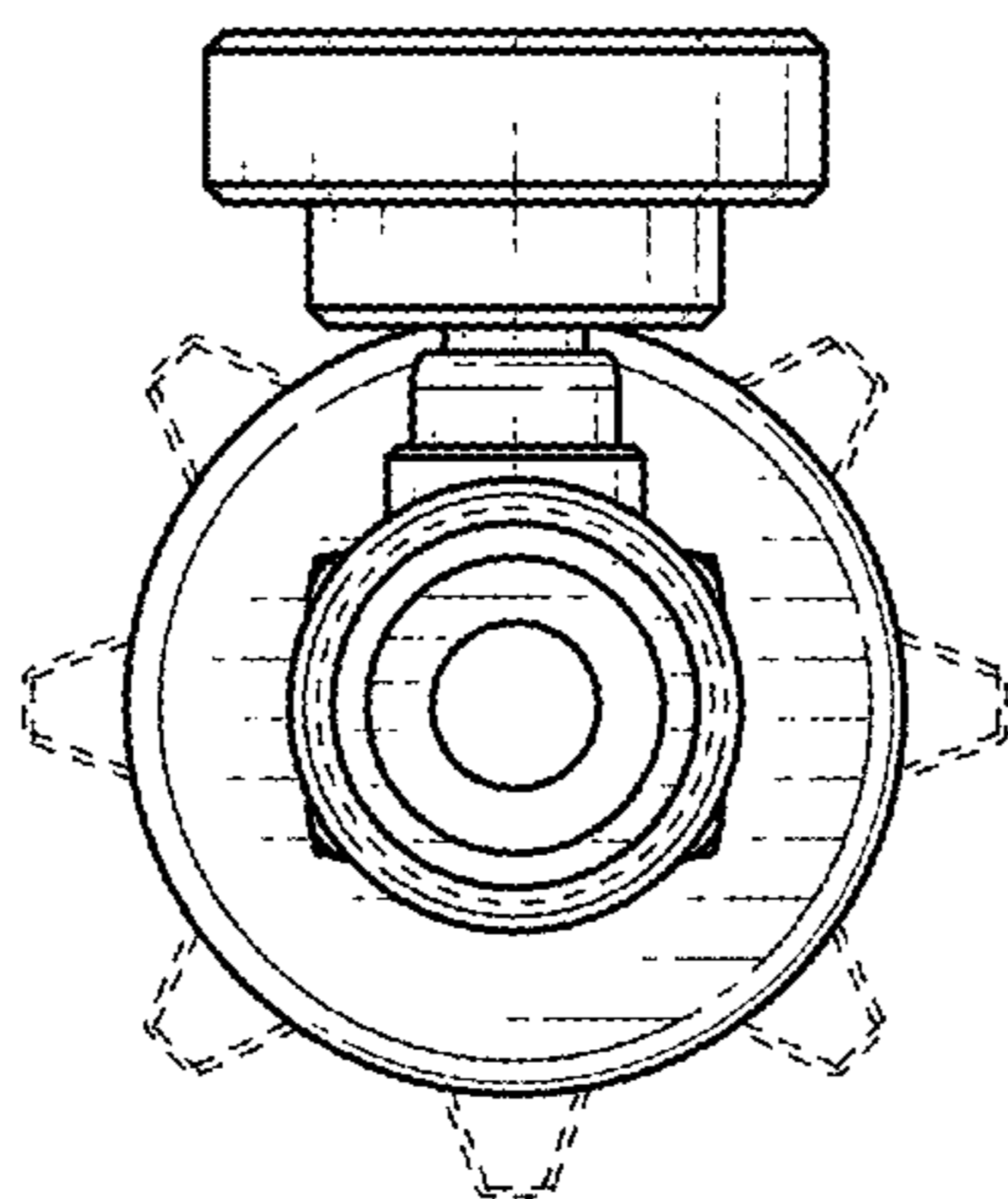


FIG. 5

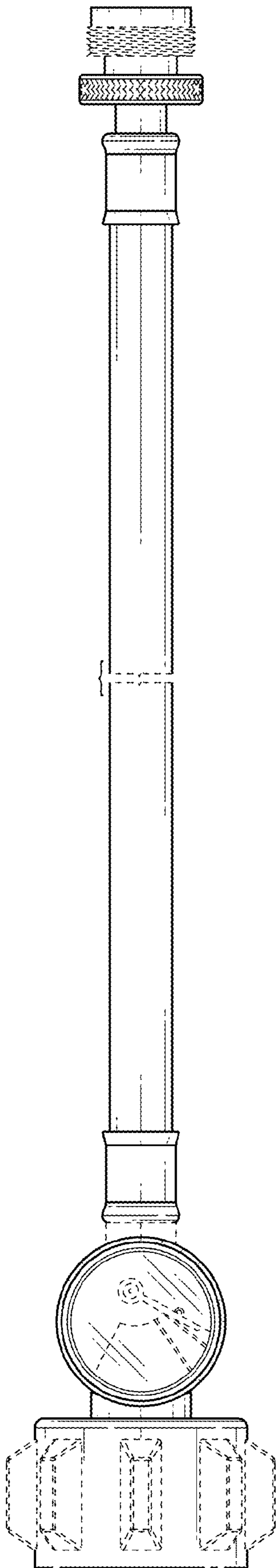


FIG. 6

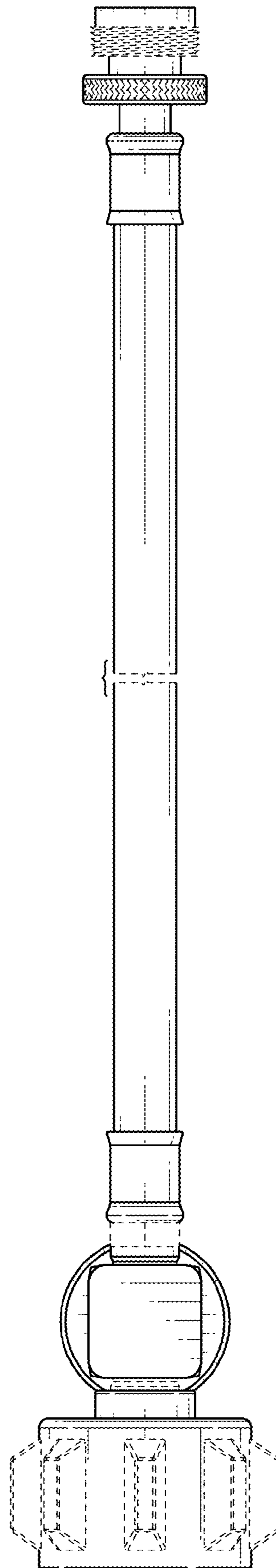


FIG. 7