

US00D937987S

(12) **United States Design Patent**
Lazarini

(10) **Patent No.:** **US D937,987 S**

(45) **Date of Patent:** **** Dec. 7, 2021**

(54) **VALVE HANDLE**

(71) Applicant: **DELTA FAUCET COMPANY,**
Indianapolis, IN (US)

(72) Inventor: **Alejandra Lazarini,** Carmel, IN (US)

(73) Assignee: **DELTA FAUCET COMPANY,**
Indianapolis, IN (US)

(**) Term: **15 Years**

(21) Appl. No.: **29/732,841**

(22) Filed: **Apr. 28, 2020**

(51) **LOC (13) Cl.** **23-01**

(52) **U.S. Cl.**
USPC **D23/252**

(58) **Field of Classification Search**
USPC D23/238-243, 249, 250, 252, 254, 255,
D23/257, 245, 309; D8/300, 307, 308;
D7/394, 622, 395, 545, 398
CPC Y10T 137/9464; E03C 1/00; E03C 1/02;
E03C 1/04; E03C 1/0412; E03C 1/042;
E03C 1/044; E03C 1/048; E03C 1/05
See application file for complete search history.

(56) **References Cited**

U.S. PATENT DOCUMENTS

D315,857 S * 4/1991 Frattini D8/301
D318,904 S * 8/1991 Hartkopf D23/252
D352,767 S * 11/1994 McKeone D23/252
D385,769 S * 11/1997 Jans D23/252
D457,049 S * 5/2002 Zoerner D8/308
D522,102 S * 5/2006 Fritz D23/252

D664,630 S * 7/2012 Fritz D23/252
D666,277 S * 8/2012 Schaefer D23/252
D767,730 S * 9/2016 Eads D23/252
D811,543 S * 2/2018 Bennett D23/252
D879,245 S * 3/2020 Eads D23/223

OTHER PUBLICATIONS

Restoration Hardware, Installation Instructions, created Dec. 5, 2017, [online], [visited Jun. 30, 2021]. Internet, <URL: https://images.restorationhardware.com/content/catalog/product/pdfs/prod12910019_info.pdf> (Year: 2017).*

* cited by examiner

Primary Examiner — Sheryl Lane

Assistant Examiner — Samantha N Wood

(74) *Attorney, Agent, or Firm* — Nirav D. Parikh; Edgar A. Zarins

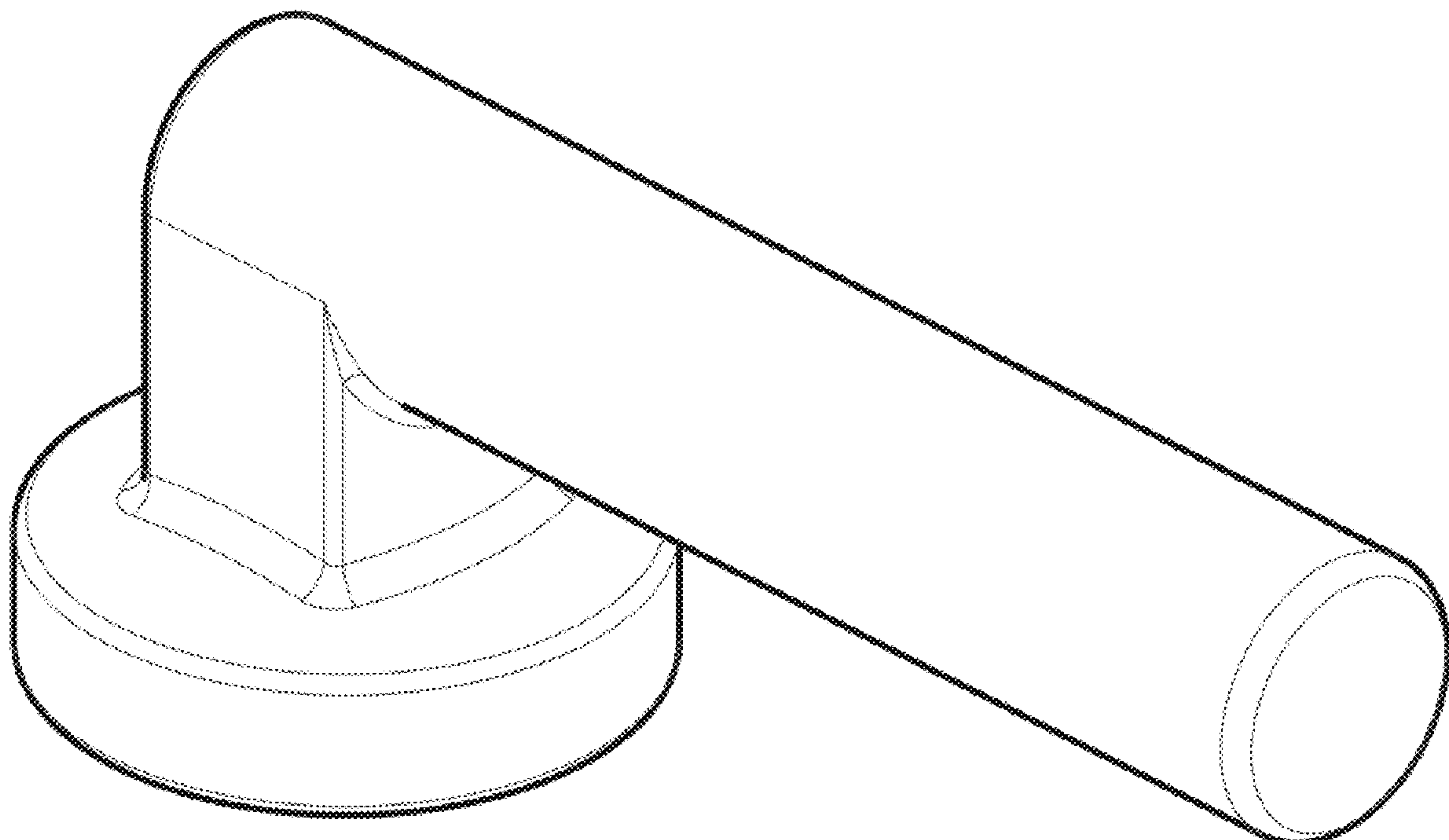
(57) **CLAIM**

The ornamental design for a valve handle, as shown and described.

DESCRIPTION

FIG. 1 is a front perspective view of a valve handle showing my new design;
FIG. 2 is a rear perspective view thereof;
FIG. 3 is a front elevational view thereof;
FIG. 4 is a left side view thereof;
FIG. 5 is a rear view thereof;
FIG. 6 is a right side view thereof;
FIG. 7 is a top plan view thereof; and,
FIG. 8 is a bottom view thereof.

1 Claim, 4 Drawing Sheets



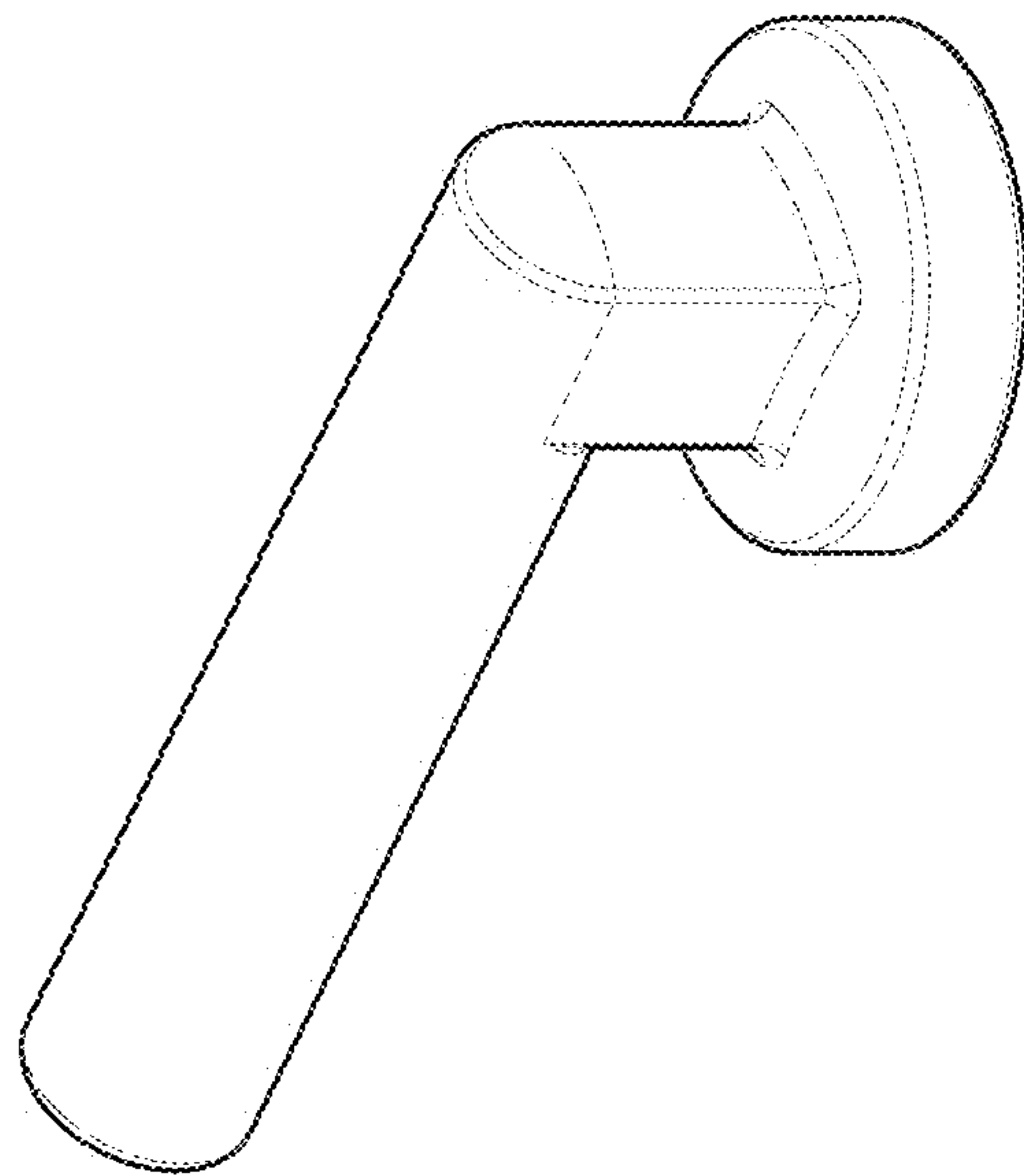


FIG. 1

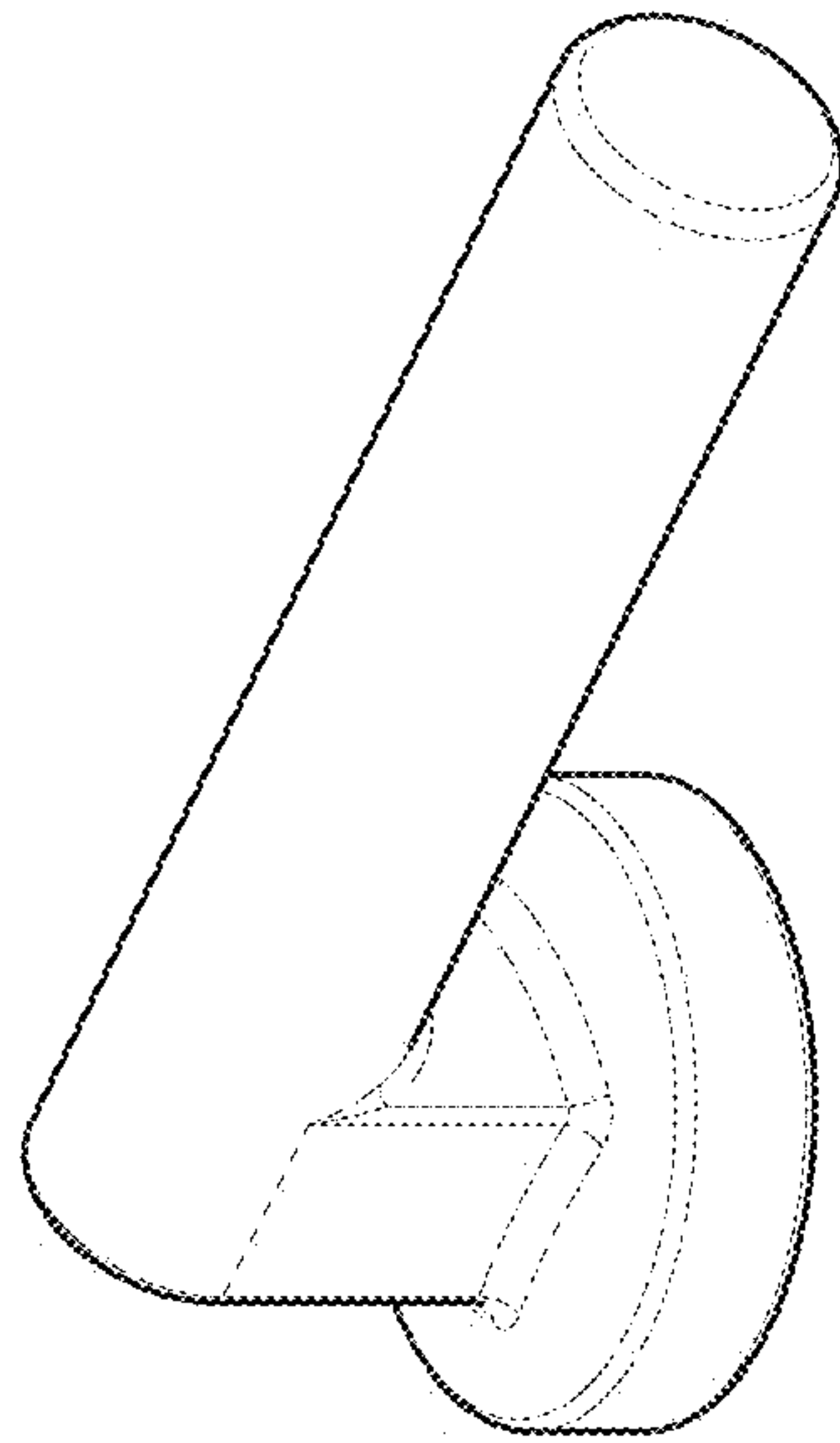


FIG. 2

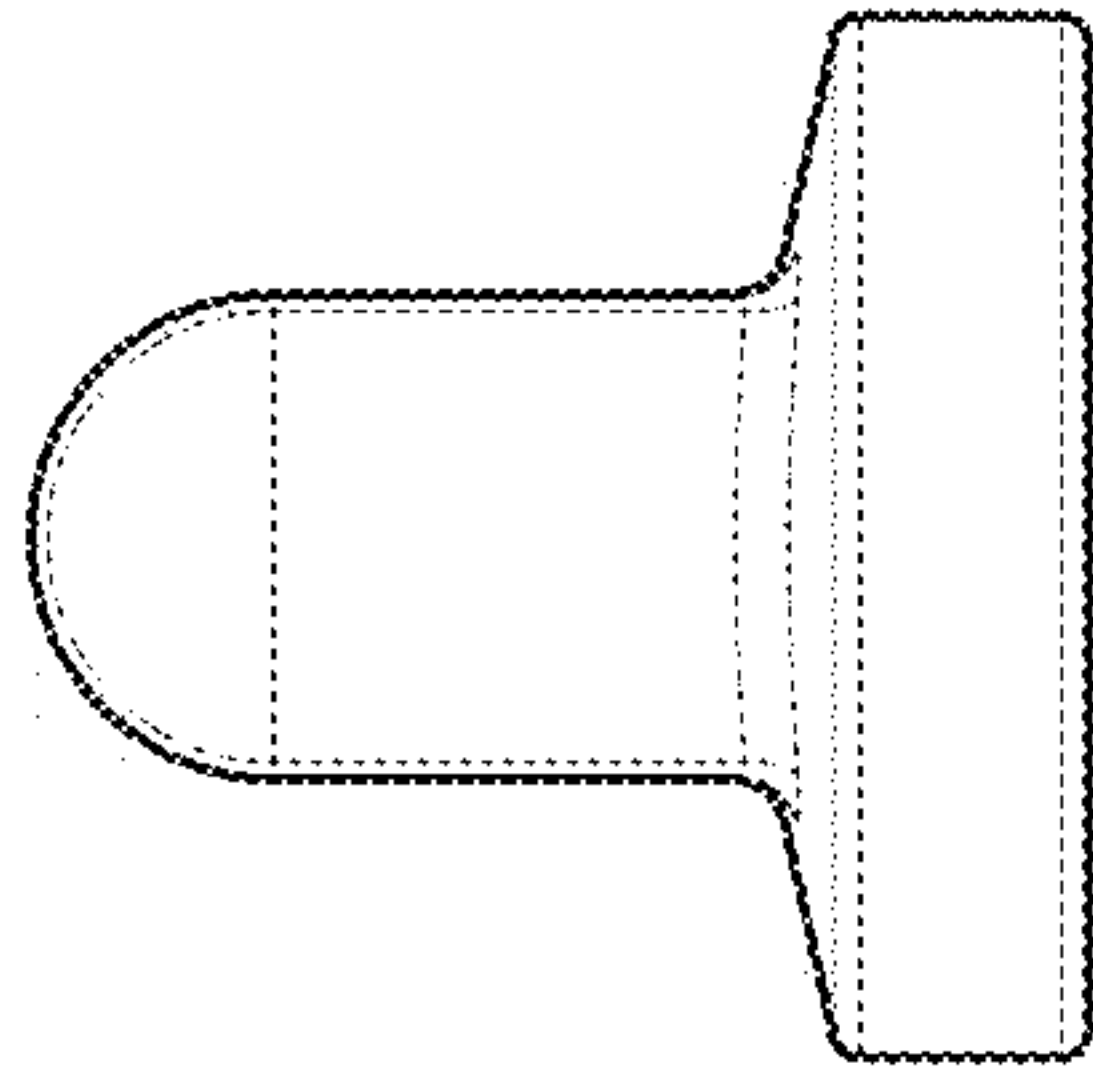


FIG. 4

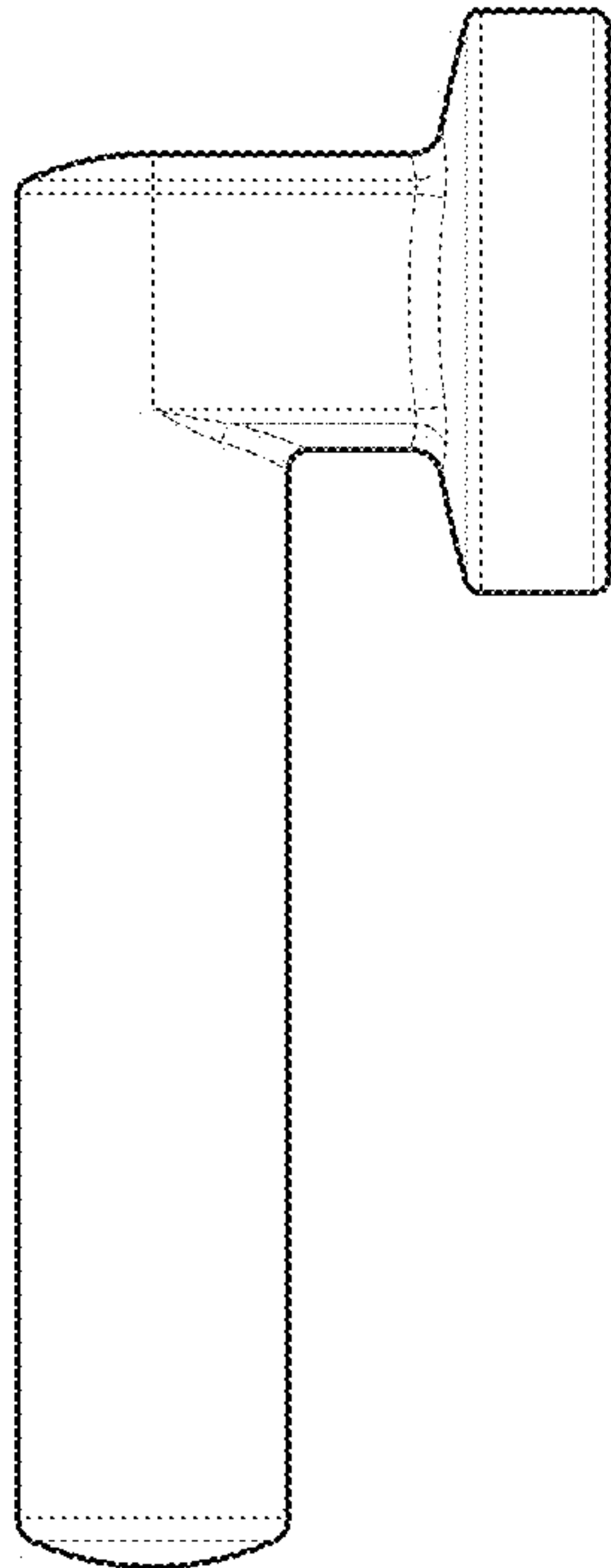


FIG. 3

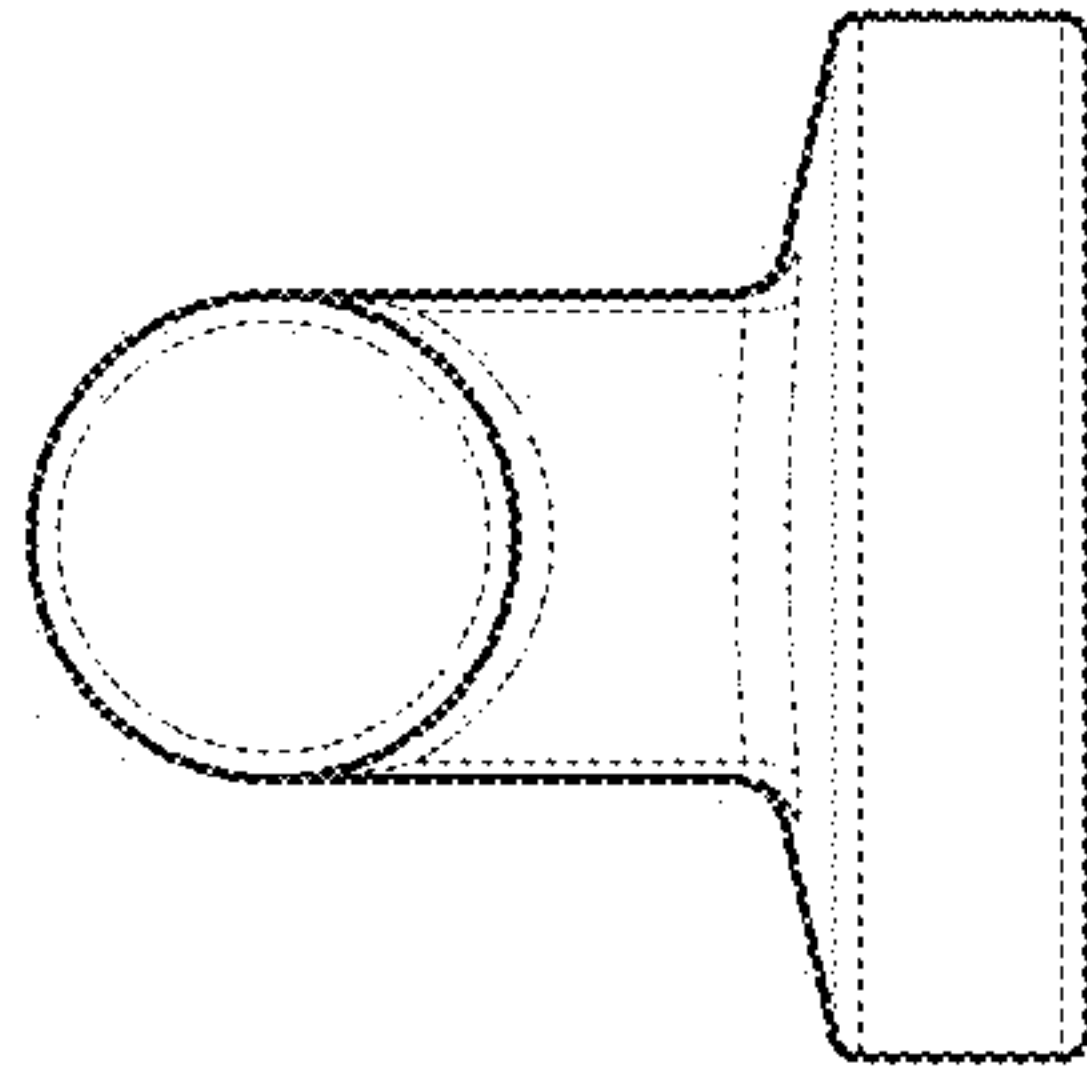


FIG. 6

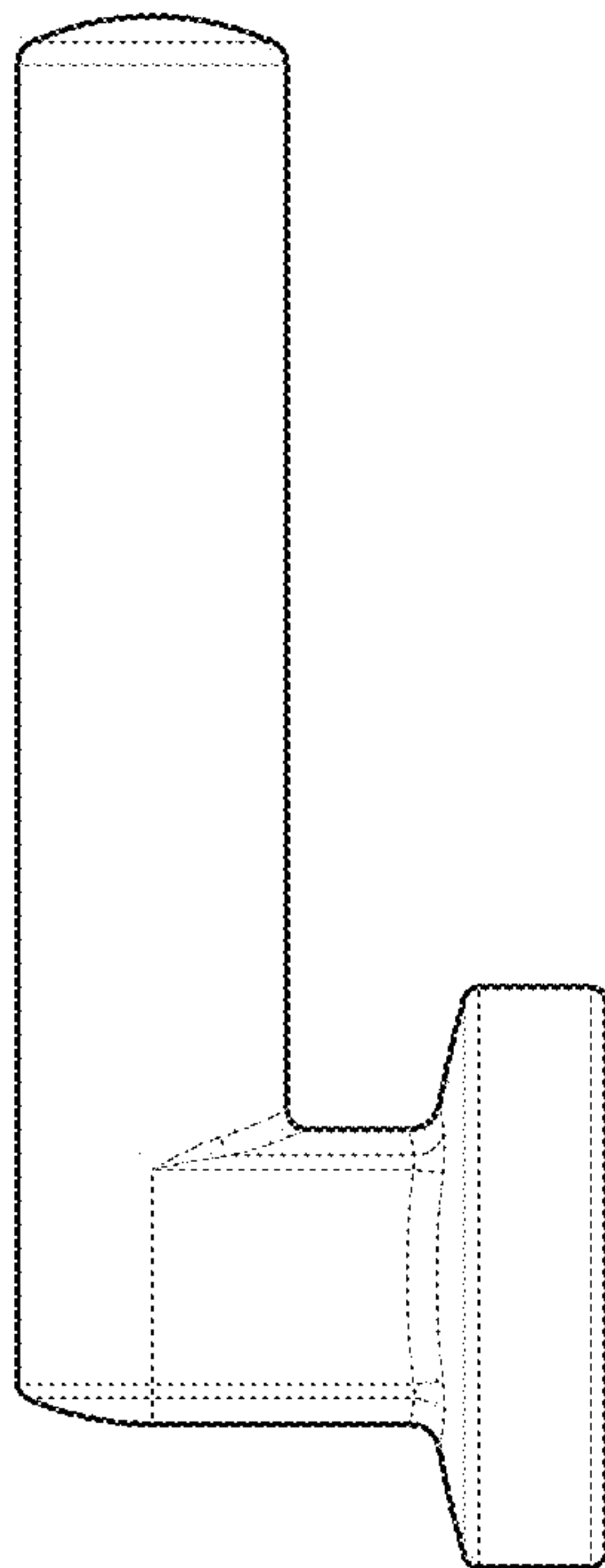


FIG. 5

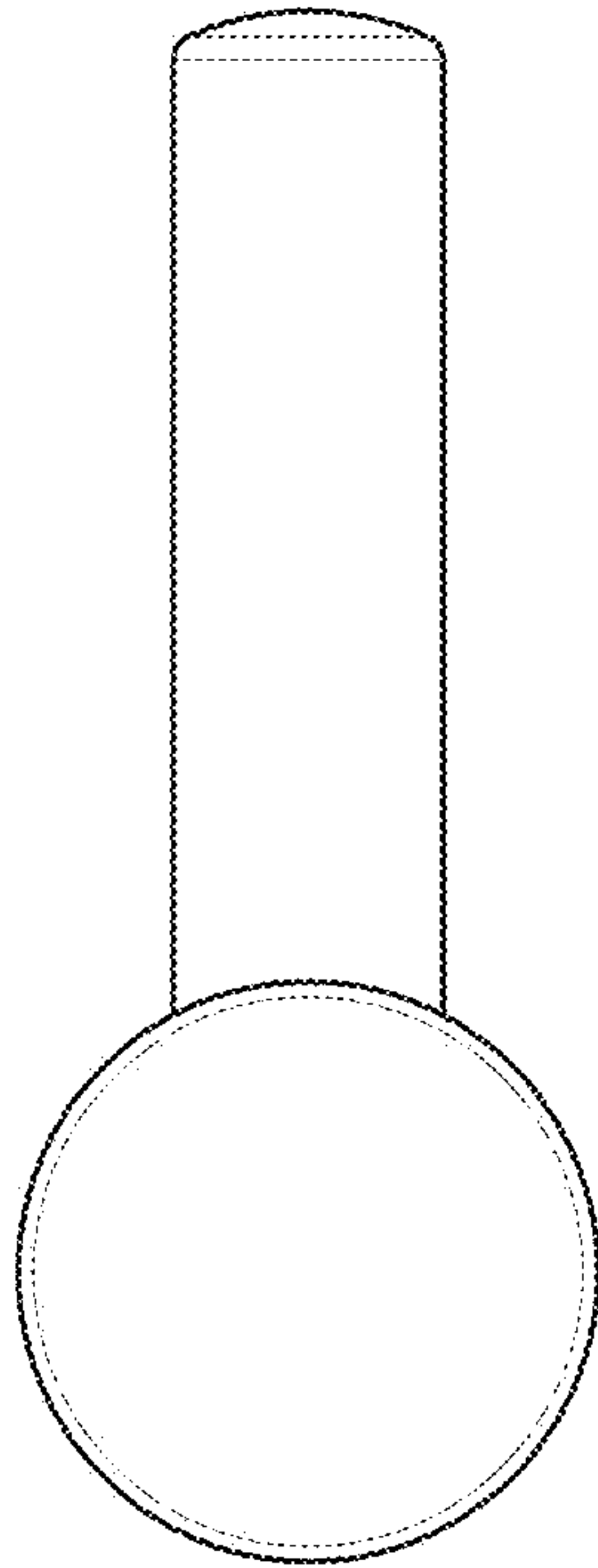


FIG. - 8

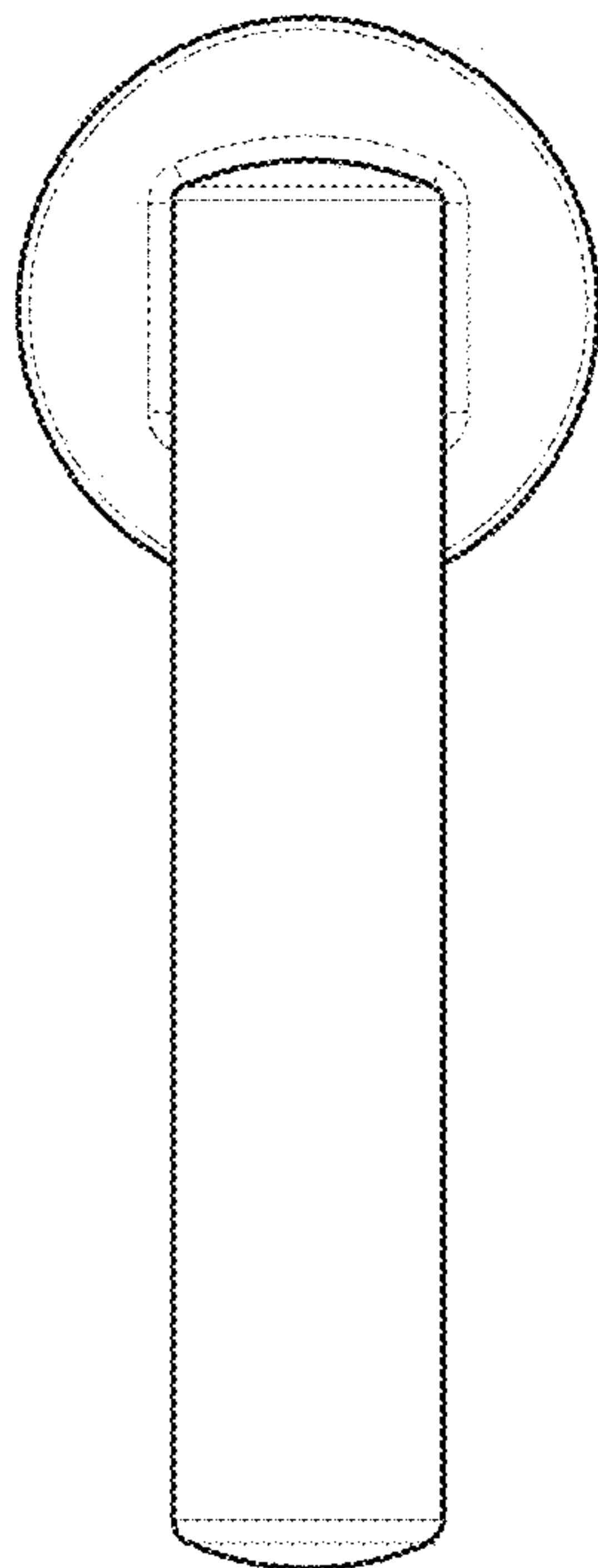


FIG. - 7