



US00D937986S

(12) **United States Design Patent** (10) **Patent No.:** **US D937,986 S**  
**Lazarini** (45) **Date of Patent:** **\*\* Dec. 7, 2021**

(54) **FAUCET HANDLE**  
(71) Applicant: **DELTA FAUCET COMPANY**,  
Indianapolis, IN (US)  
(72) Inventor: **Alejandra Lazarini**, Carmel, IN (US)  
(73) Assignee: **DELTA FAUCET COMPANY**,  
Indianapolis, IN (US)  
(\*\*) Term: **15 Years**  
(21) Appl. No.: **29/732,636**  
(22) Filed: **Apr. 27, 2020**  
(51) **LOC (13) Cl.** ..... **23-01**  
(52) **U.S. Cl.**  
USPC ..... **D23/252**  
(58) **Field of Classification Search**  
USPC ..... D23/238–243, 249, 250, 252, 254, 255,  
D23/257, 245, 309; D8/300, 307, 308;  
D7/394, 622, 395, 545, 398  
CPC ..... Y10T 137/9464; E03C 1/00; E03C 1/02;  
E03C 1/04; E03C 1/0412; E03C 1/042;  
E03C 1/044; E03C 1/048; E03C 1/05  
See application file for complete search history.

D664,630 S \* 7/2012 Fritz ..... D23/252  
D740,642 S \* 10/2015 Carlsson ..... D8/301  
D771,467 S \* 11/2016 McKeone ..... D8/301

**FOREIGN PATENT DOCUMENTS**

GB 6059932 \* 5/2019

**OTHER PUBLICATIONS**

Crosswater London, Taos Widespread Basin Faucet Product Specification PDF, created Dec. 28, 2012, [online], [visited Jun. 30, 2021]. Internet, <URL: <https://www.crosswaterlondon.com/product/taos-widespread-basin-faucet>> (Year: 2012).\*

\* cited by examiner

*Primary Examiner* — Sheryl Lane  
*Assistant Examiner* — Samantha N Wood  
(74) *Attorney, Agent, or Firm* — Nirav D. Parikh; Edgar A. Zarins

(57) **CLAIM**

The ornamental design for a faucet handle, as shown and described.

**DESCRIPTION**

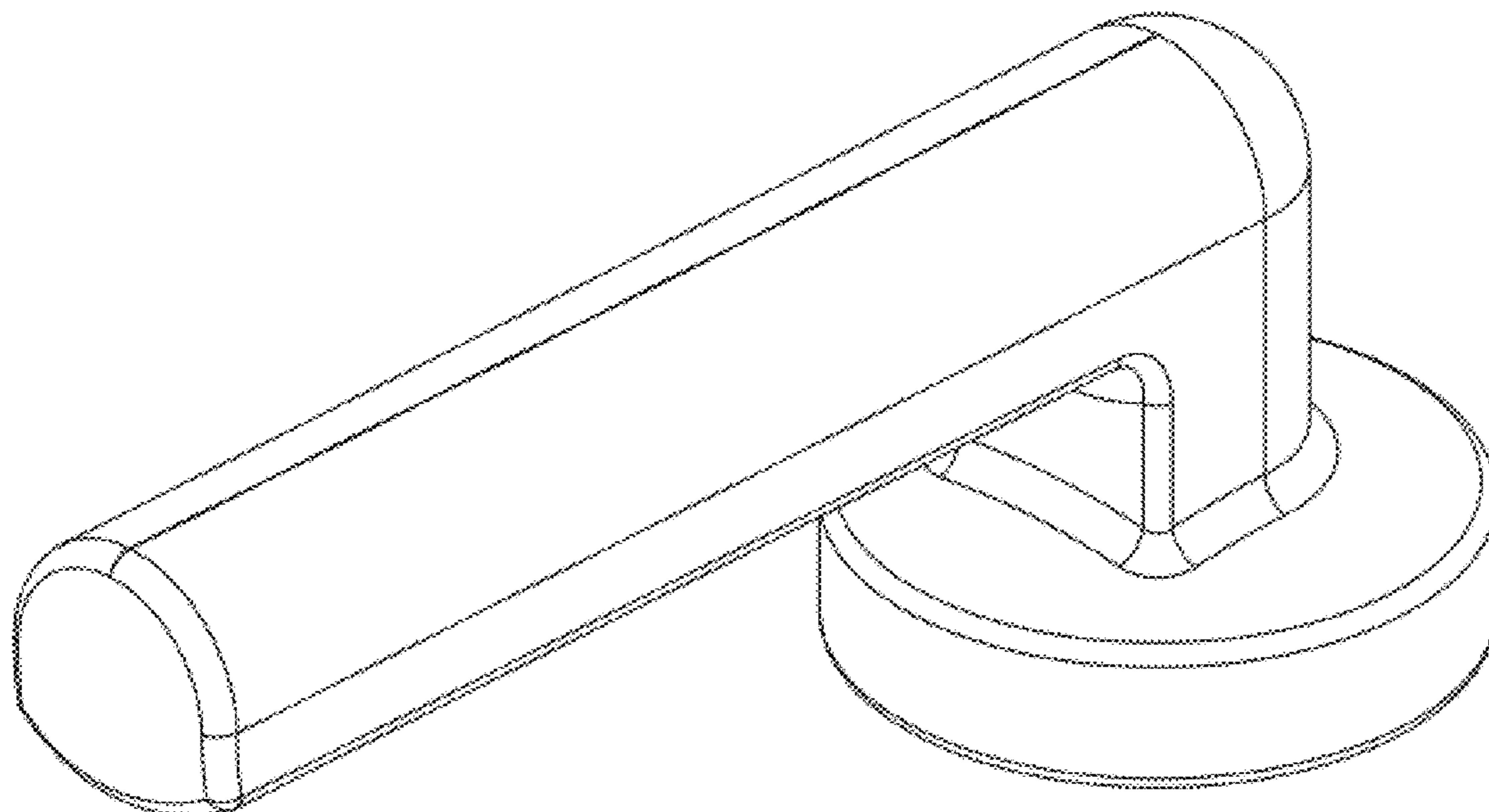
FIG. 1 is a front perspective view of a faucet handle showing my new design;  
FIG. 2 is a rear perspective view thereof;  
FIG. 3 is a front elevational view thereof;  
FIG. 4 is a left side view thereof;  
FIG. 5 is a rear view thereof;  
FIG. 6 is a right side view thereof;  
FIG. 7 is a top plan view thereof; and,  
FIG. 8 is a bottom view thereof.

**1 Claim, 4 Drawing Sheets**

(56) **References Cited**

**U.S. PATENT DOCUMENTS**

D297,755 S \* 9/1988 Paul ..... D23/242  
D313,926 S \* 1/1991 Kautt ..... D8/301  
D318,904 S \* 8/1991 Hartkopf ..... D23/252  
D385,769 S \* 11/1997 Jans ..... D23/252  
D387,136 S \* 12/1997 Oswaks ..... D23/252  
D448,067 S \* 9/2001 Pitsch ..... D23/252  
D457,049 S \* 5/2002 Zoerner ..... D8/308  
D522,102 S \* 5/2006 Fritz ..... D23/252  
D522,630 S \* 6/2006 Fritz ..... D23/252  
D574,063 S \* 7/2008 Tsai ..... D23/255  
D625,393 S \* 10/2010 Sieger ..... D23/242



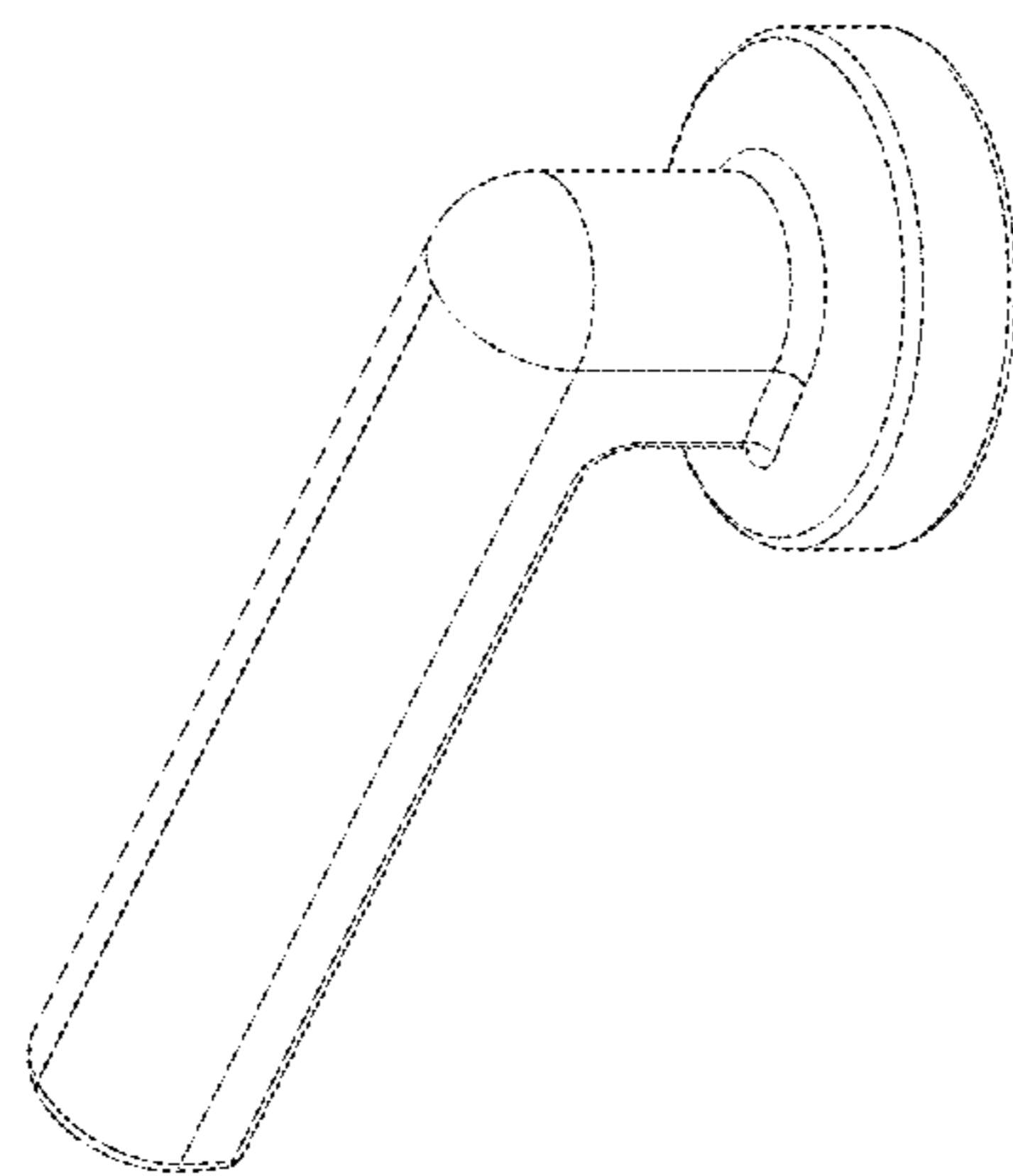


FIG - 1

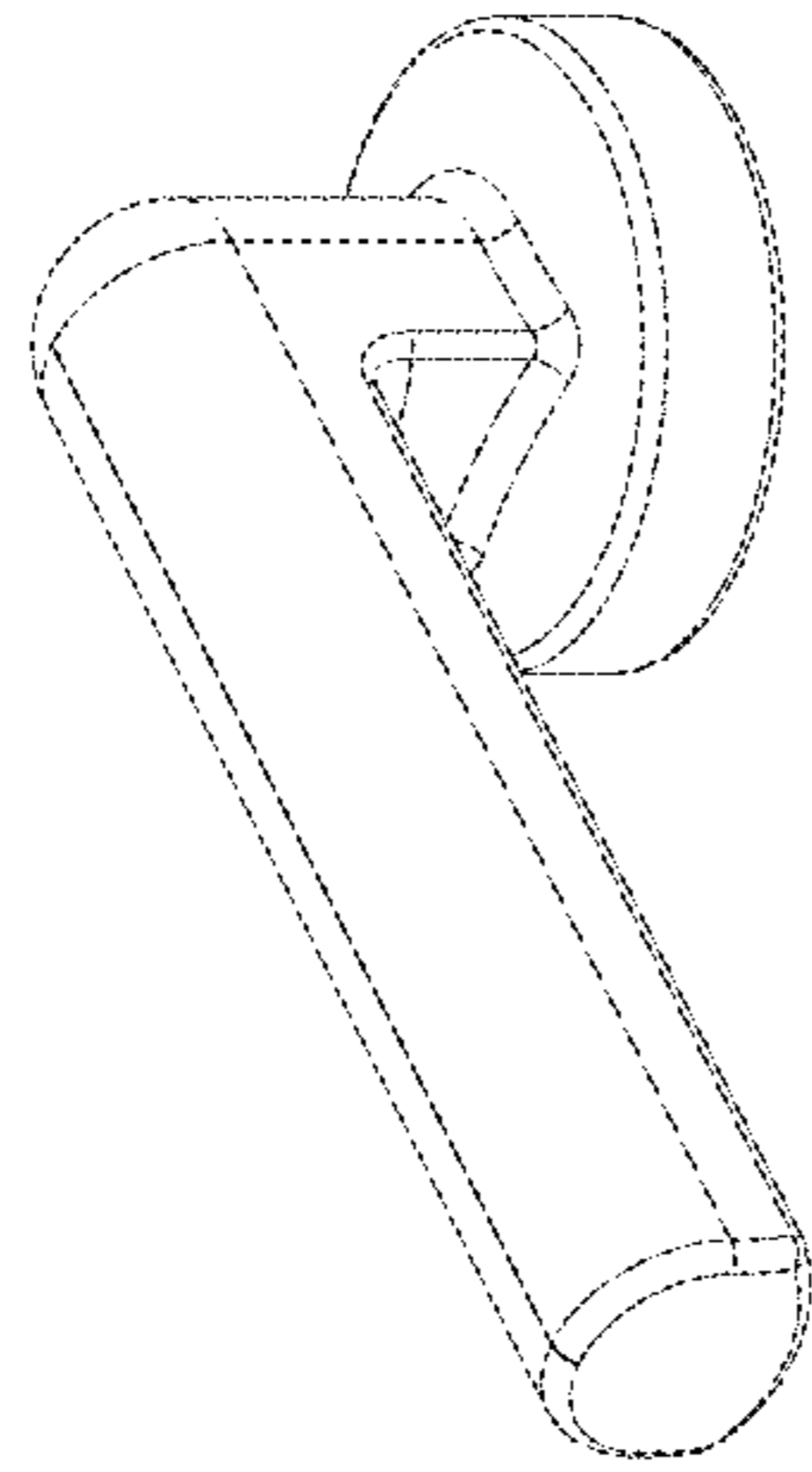


FIG - 2

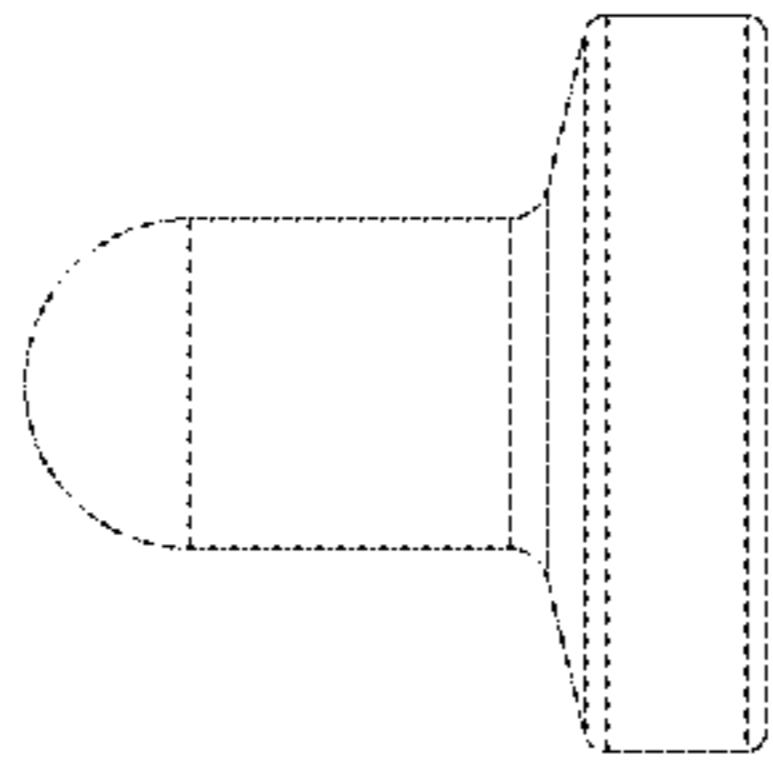


FIG-4

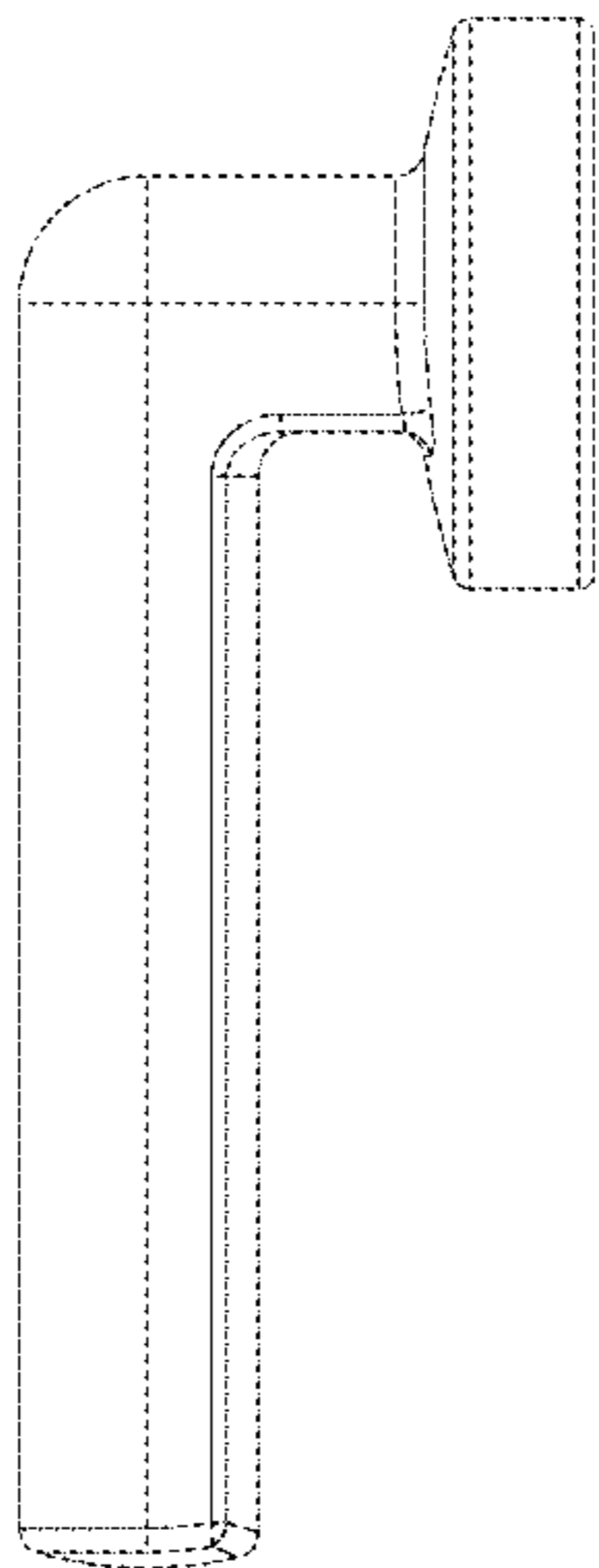


FIG-3

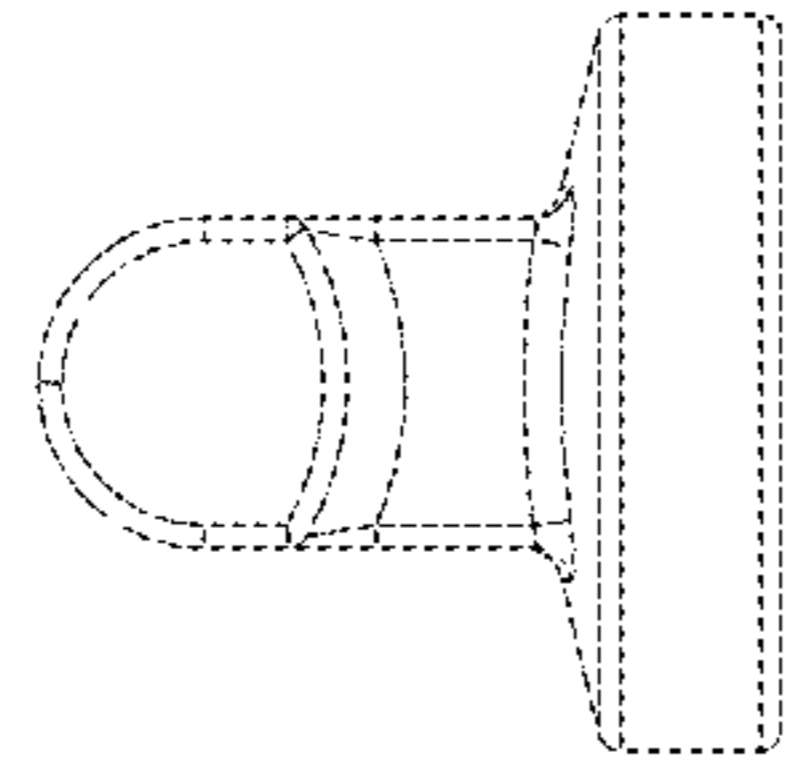


FIG-6

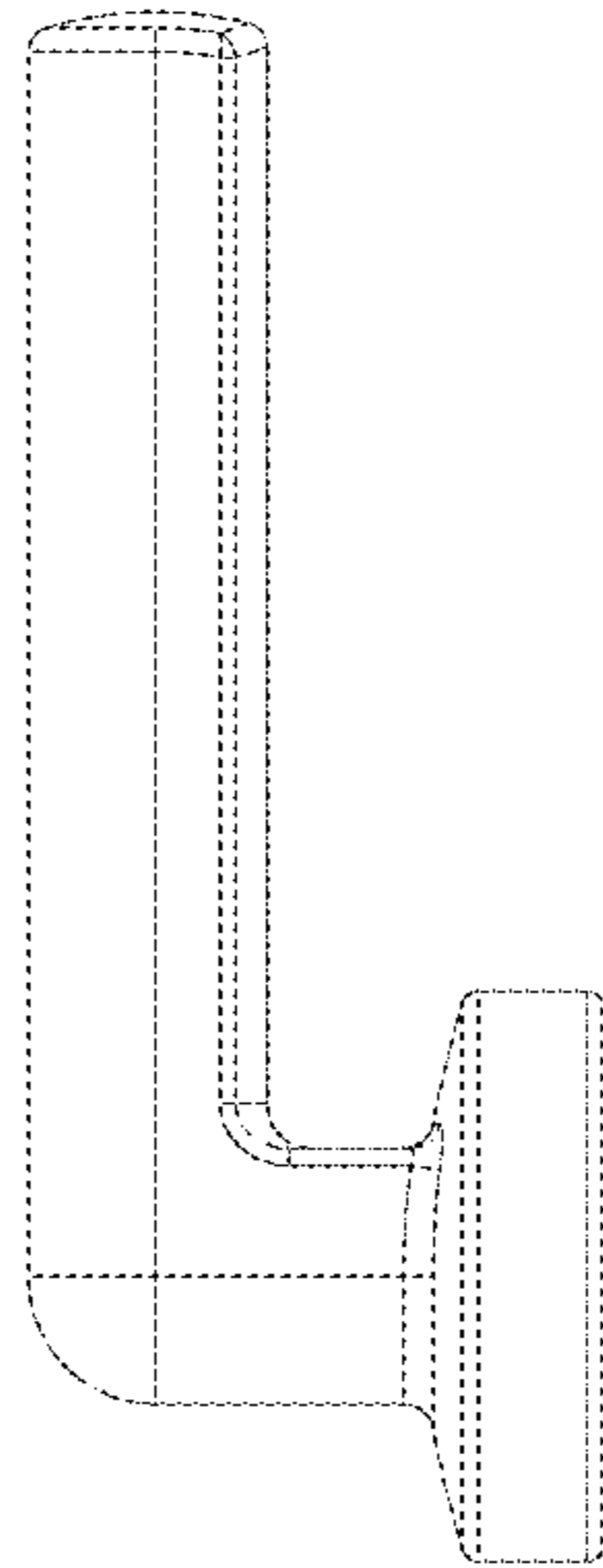


FIG-5

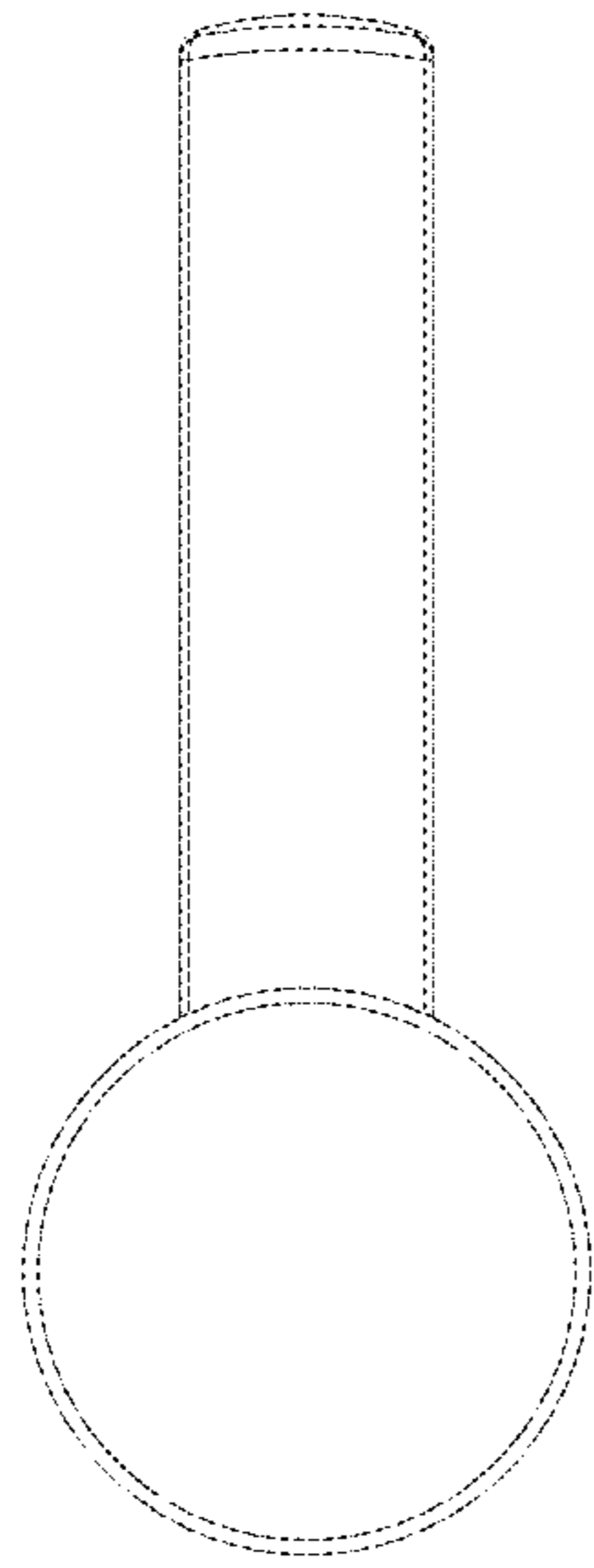


FIG-8

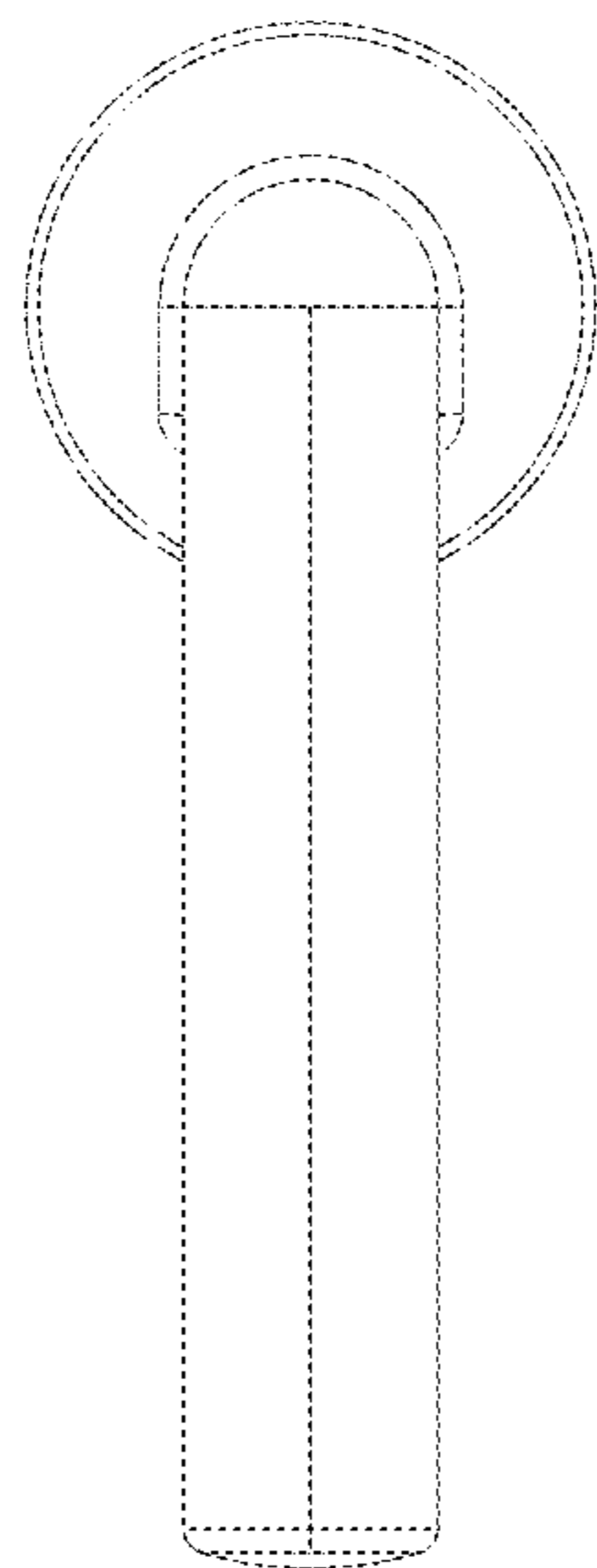


FIG-7