



US00D937985S

(12) **United States Design Patent**
Bahler

(10) **Patent No.:** **US D937,985 S**

(45) **Date of Patent:** **** Dec. 7, 2021**

(54) **FAUCET HANDLE**

D913,450 S * 3/2021 Bahler D23/242

(71) Applicant: **DELTA FAUCET COMPANY,**
Indianapolis, IN (US)

* cited by examiner

(72) Inventor: **Jordan Bahler,** Frankfort, IN (US)

Primary Examiner — Robert A Delehanty

(73) Assignee: **DELTA FAUCET COMPANY,**
Indianapolis, IN (US)

(74) *Attorney, Agent, or Firm* — Nirav D. Parikh; Edgar
A. Zarins

(**) Term: **15 Years**

(57) **CLAIM**

(21) Appl. No.: **29/687,415**

The ornamental design for a faucet handle, as shown and
described.

(22) Filed: **Apr. 12, 2019**

(51) **LOC (13) Cl.** **23-01**

(52) **U.S. Cl.**
USPC **D23/252**

DESCRIPTION

(58) **Field of Classification Search**
USPC D23/238–243, 249–250, 252, 254
CPC E03C 1/042
See application file for complete search history.

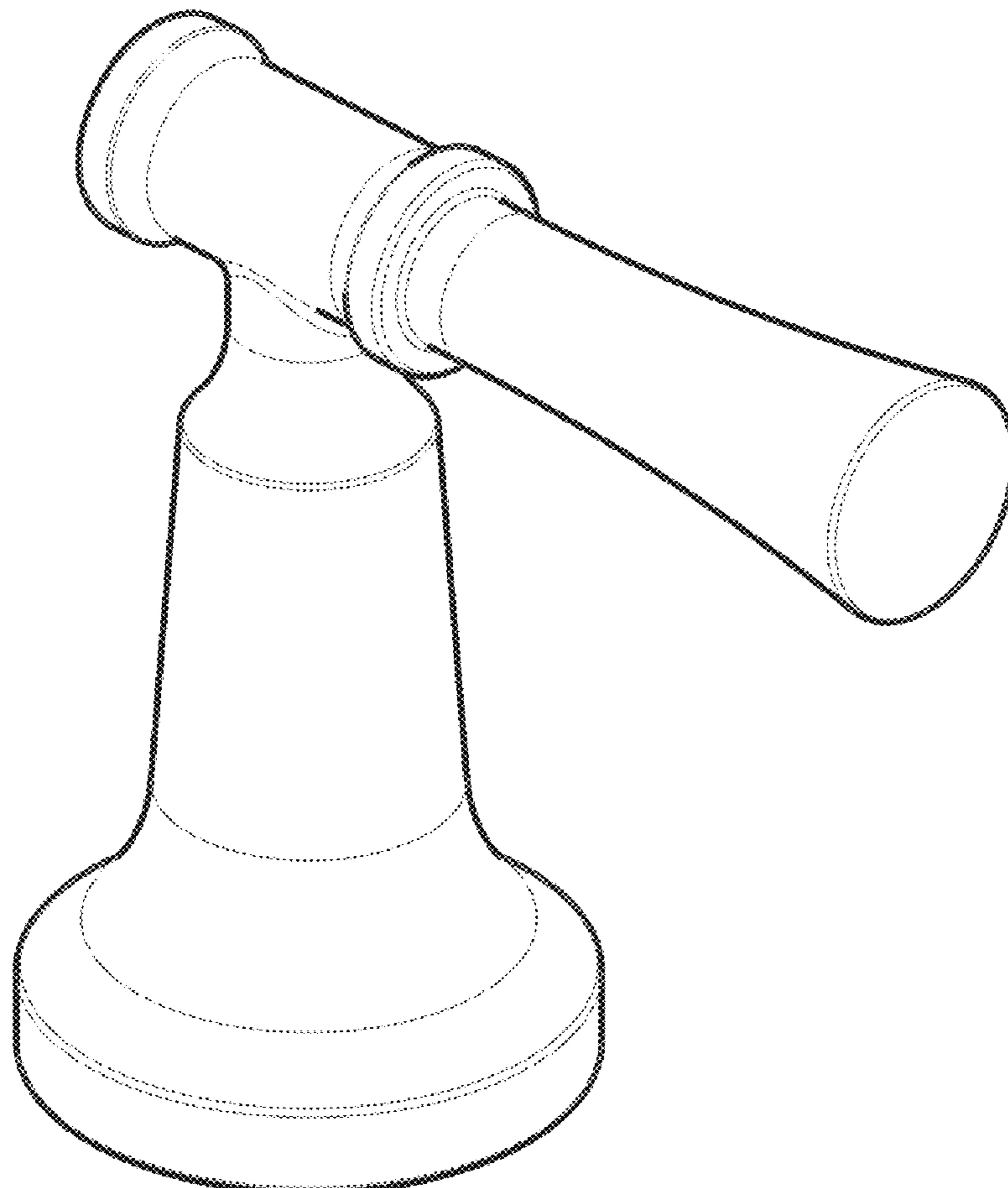
FIG. 1 is a front perspective view of a faucet handle showing
my new design;
FIG. 2 is a rear perspective view thereof;
FIG. 3 is a left side view thereof;
FIG. 4 is a front elevational view thereof;
FIG. 5 is a right side view thereof;
FIG. 6 is a rear view thereof; and,
FIG. 7 is a top plan view thereof.

(56) **References Cited**

U.S. PATENT DOCUMENTS

D591,834 S * 5/2009 Williams D23/252
D872,235 S * 1/2020 Garland D23/238

1 Claim, 4 Drawing Sheets



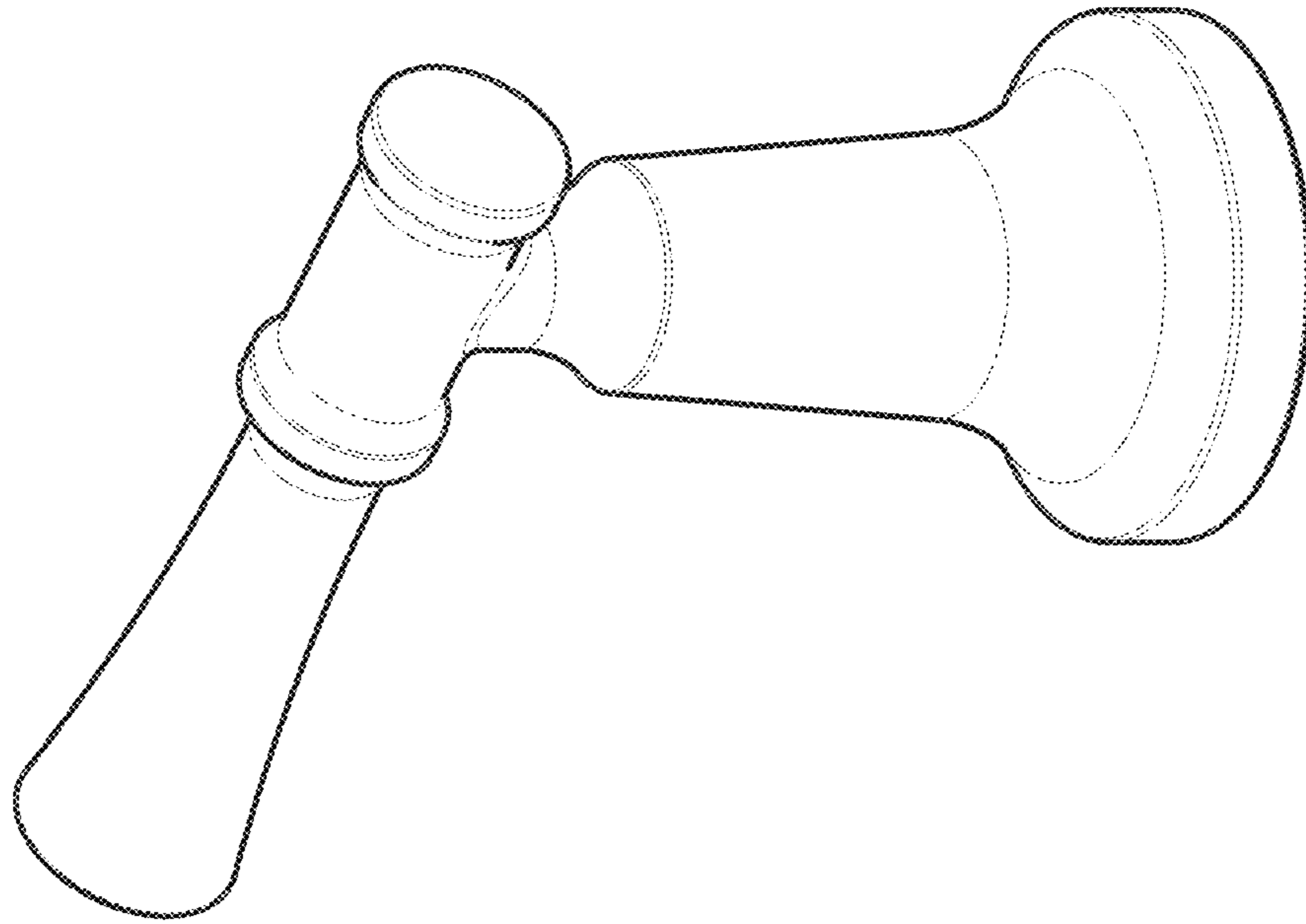


FIG - 2

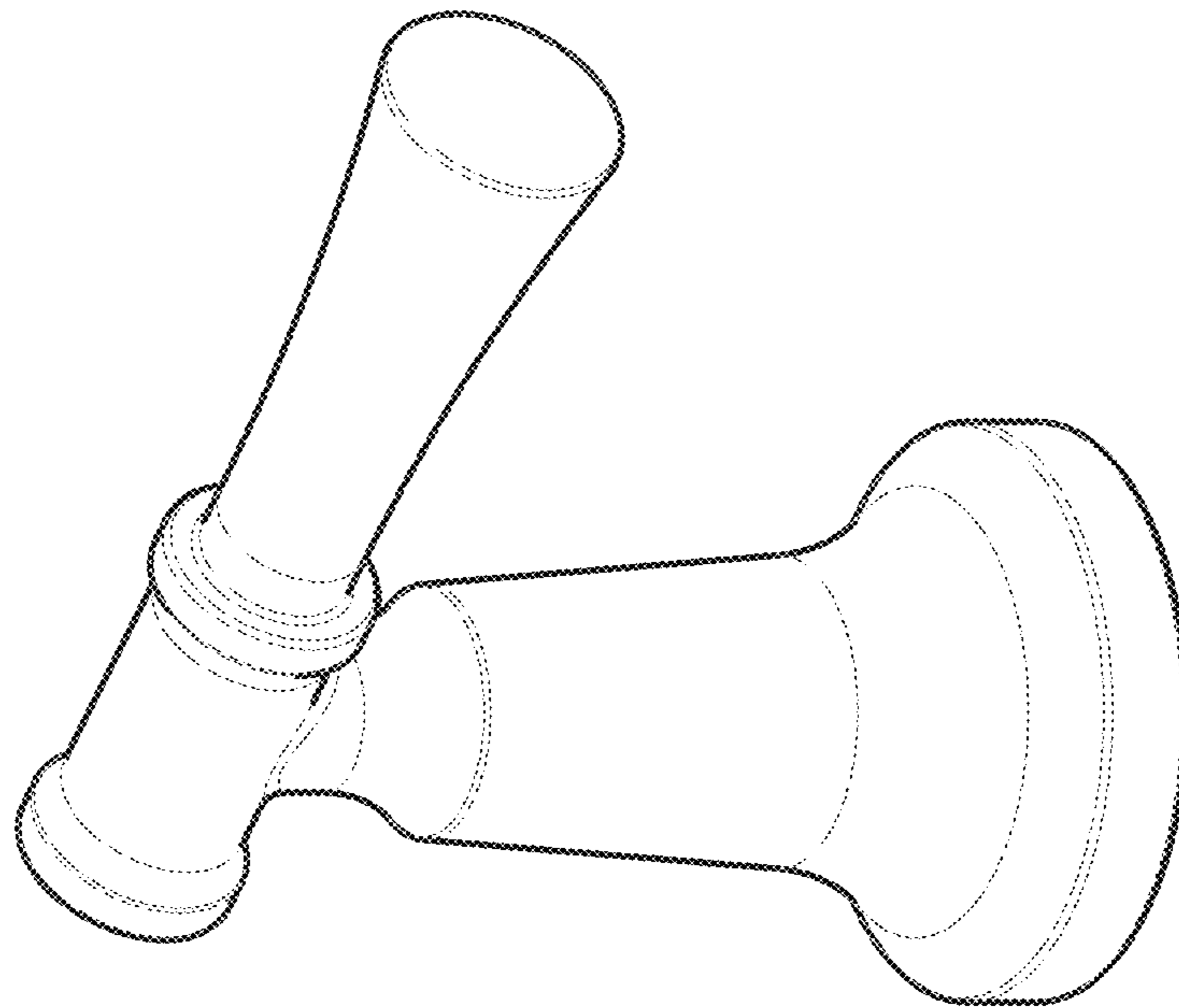


FIG - 1

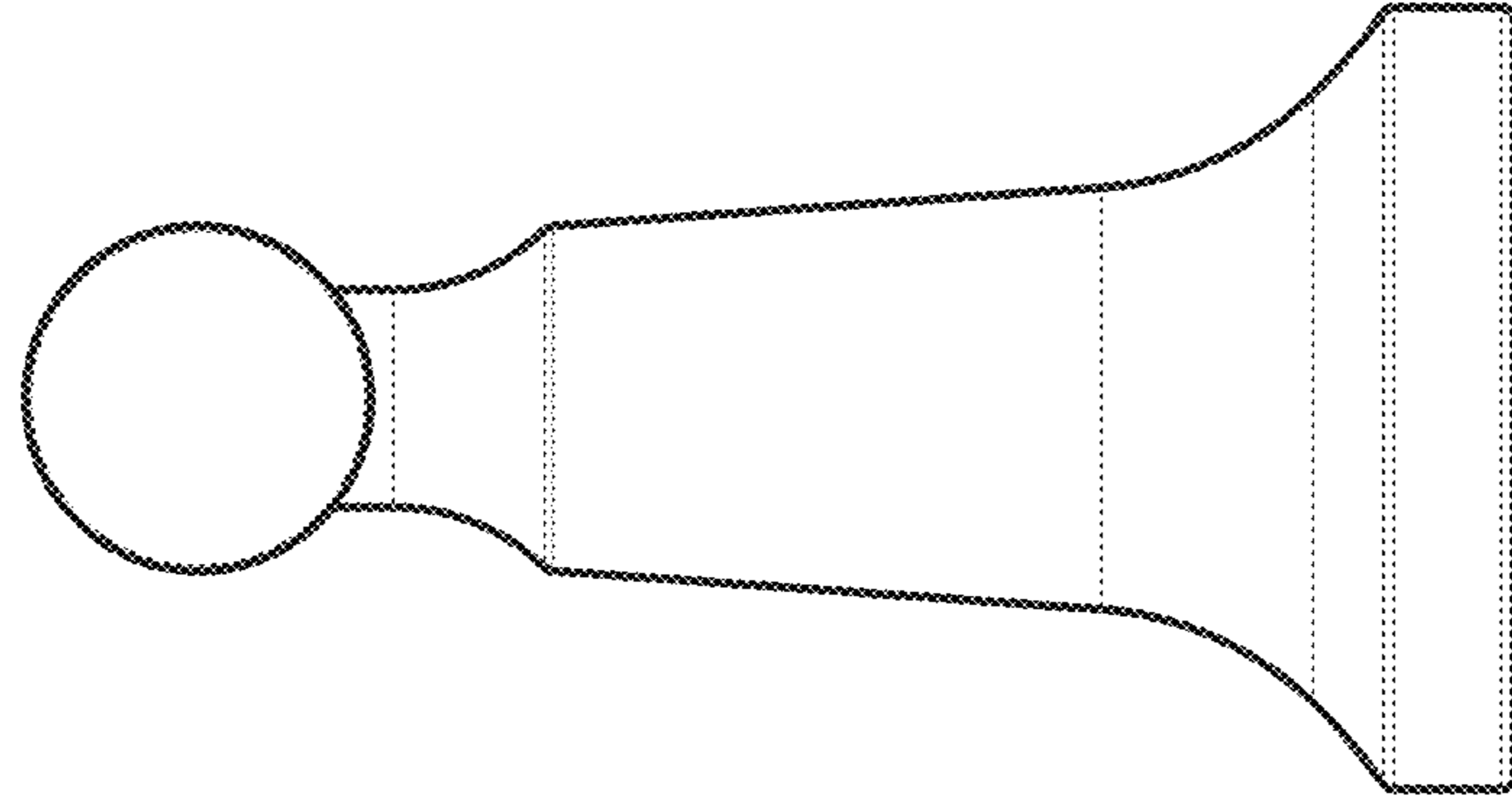


FIG - 4

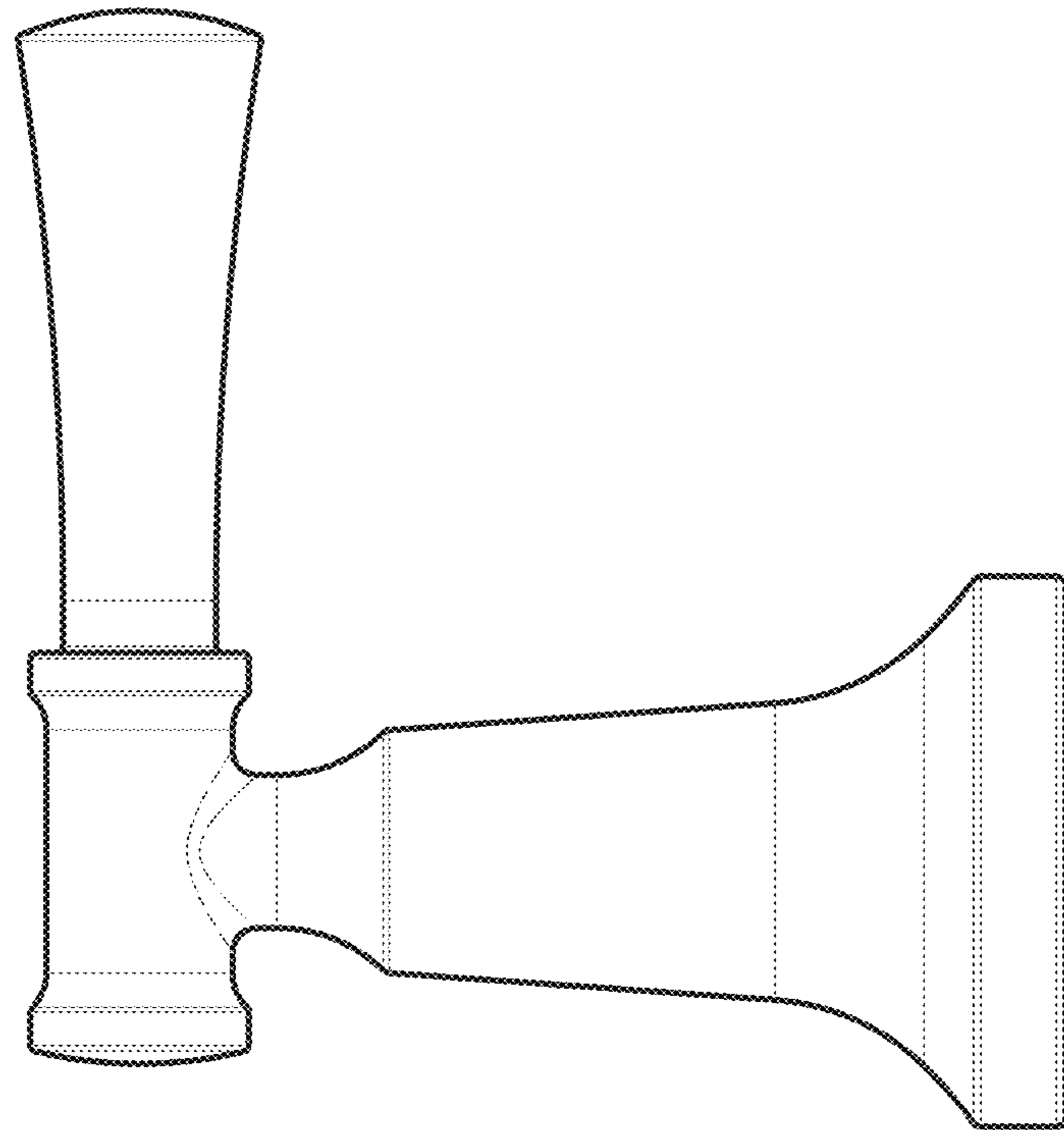


FIG - 3

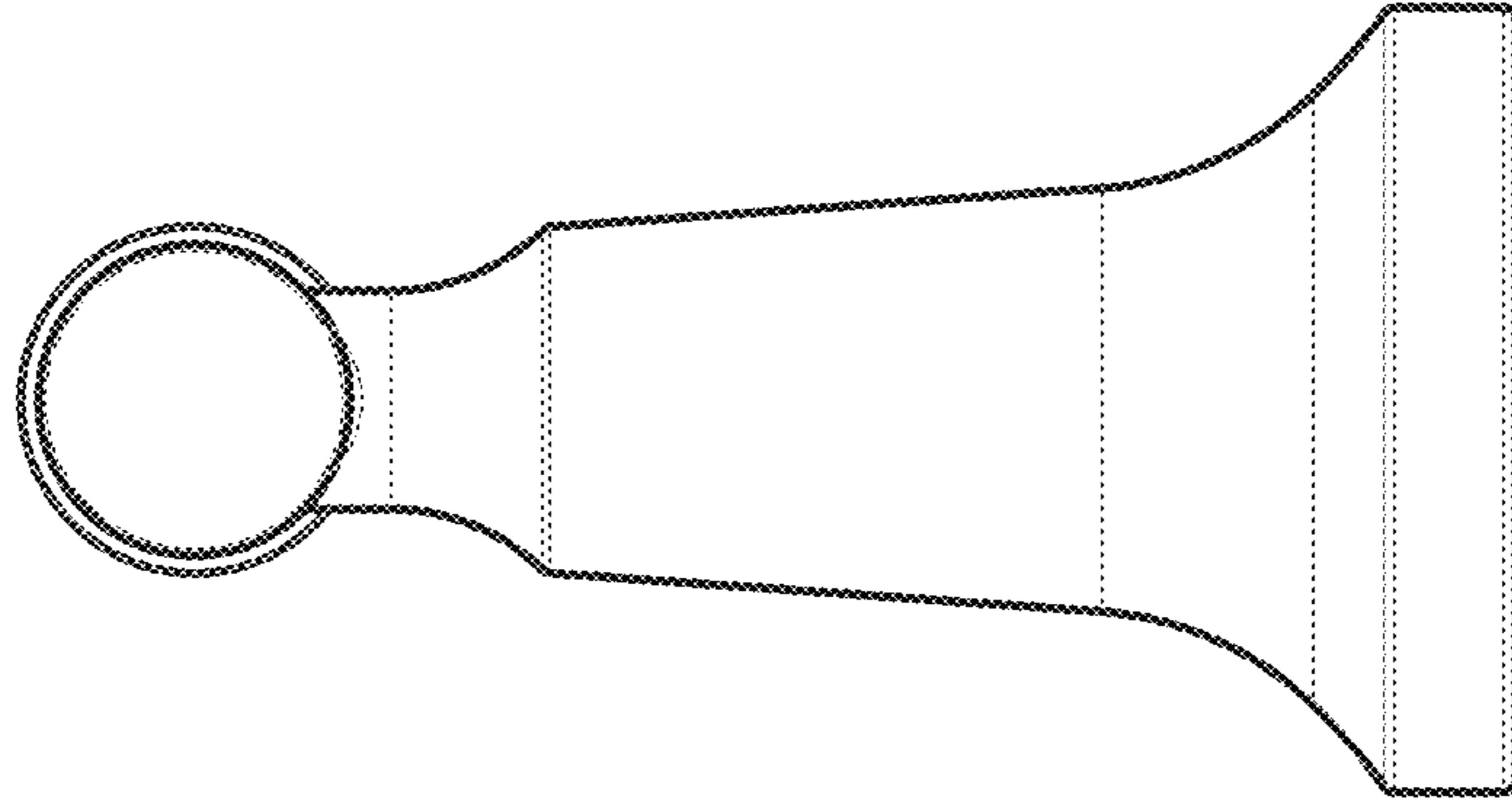


FIG - 6

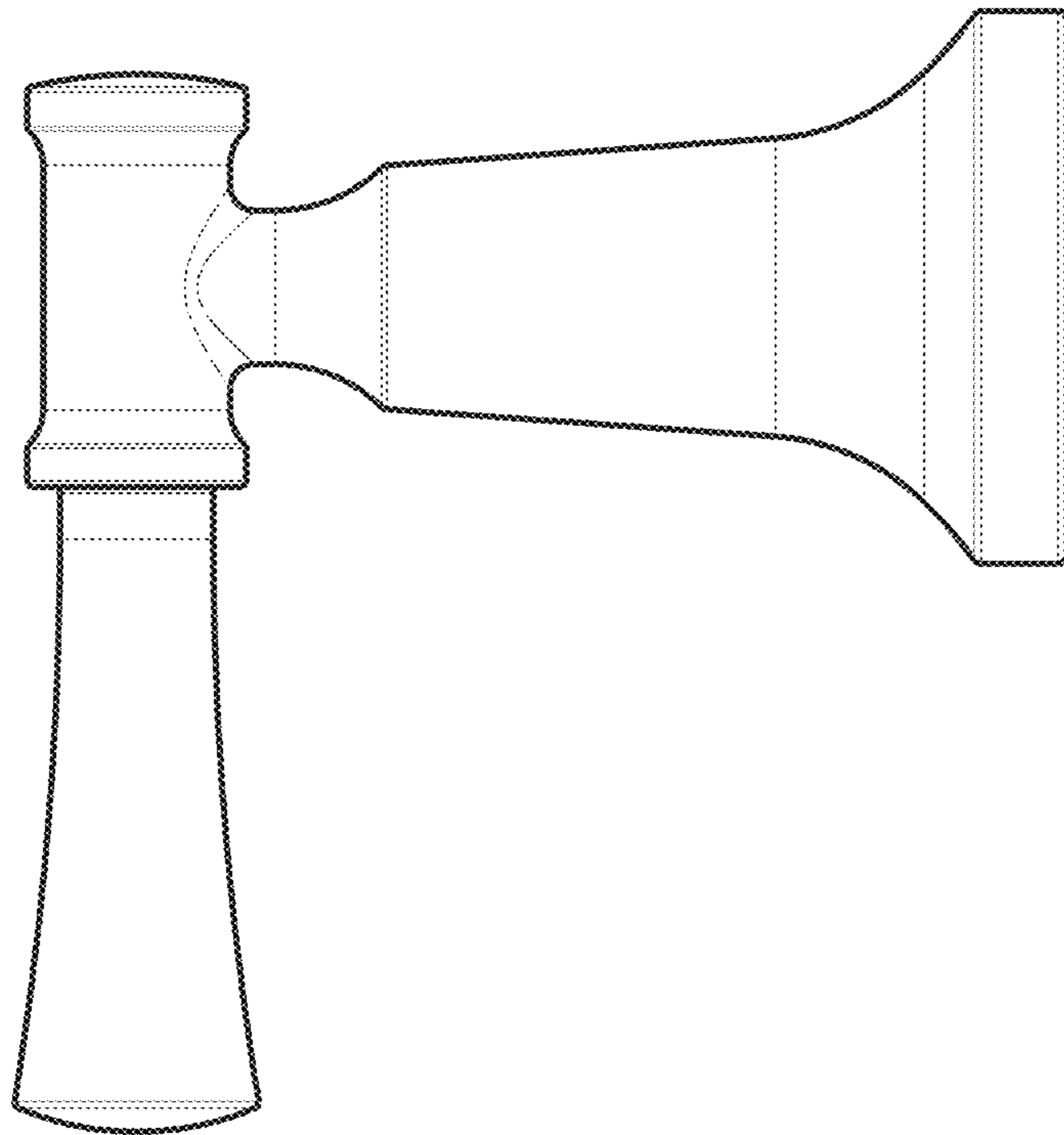


FIG - 5

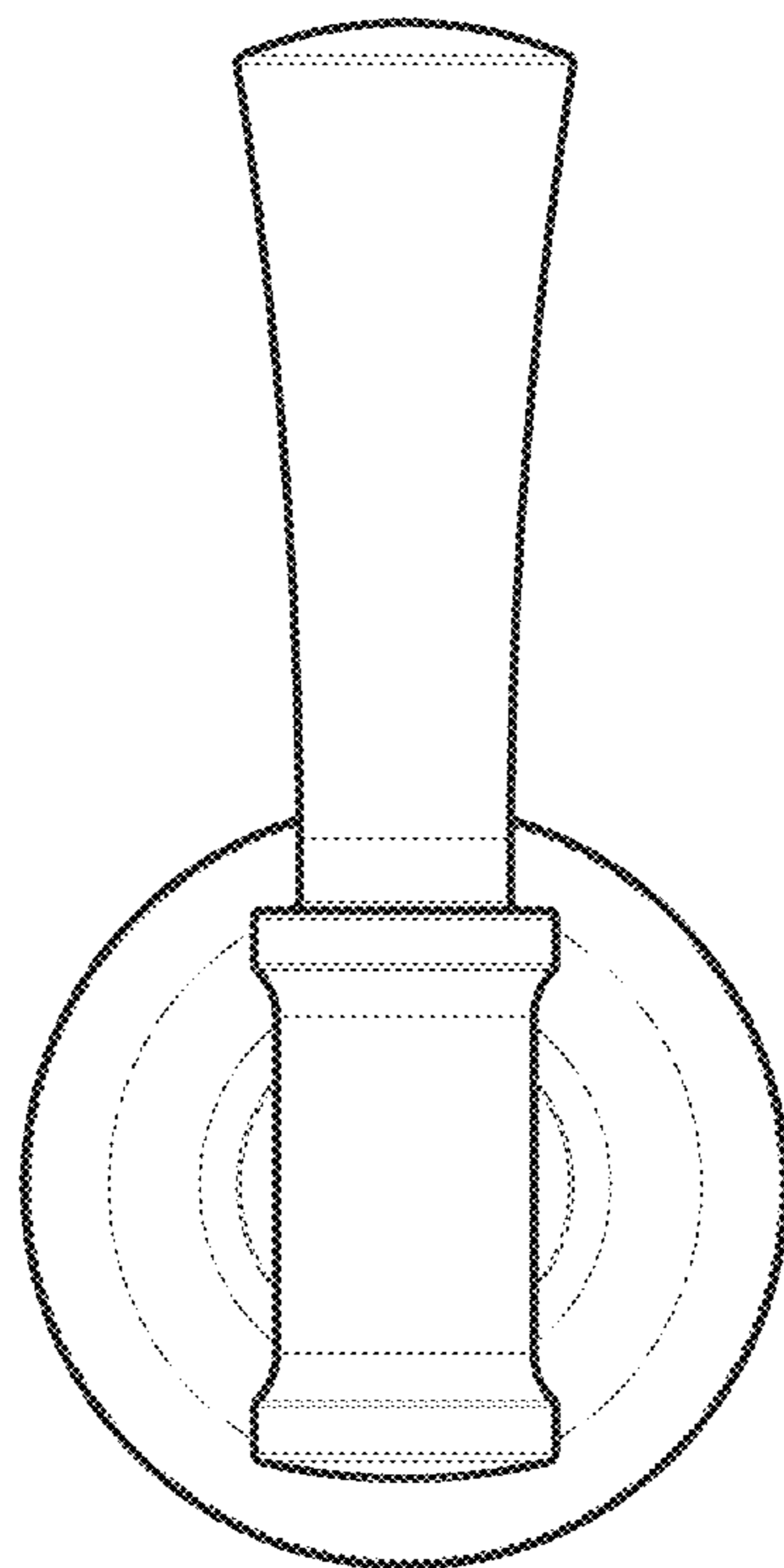


FIG - 7