



US00D937981S

(12) **United States Design Patent** (10) **Patent No.:** **US D937,981 S**  
**Li** (45) **Date of Patent:** **\*\* Dec. 7, 2021**

- (54) **PRESSURE BALANCE VALVE**
- (71) Applicant: **AS America, Inc.**, Piscataway, NJ (US)
- (72) Inventor: **Hsiao Chang Li**, Edison, NJ (US)
- (73) Assignee: **AS America, Inc.**, Piscataway, NJ (US)
- (\*\*) Term: **15 Years**
- (21) Appl. No.: **29/775,252**
- (22) Filed: **Mar. 22, 2021**

**Related U.S. Application Data**

- (63) Continuation of application No. 29/740,018, filed on Jun. 30, 2020, now Pat. No. Des. 919,055, which is a continuation of application No. 29/664,506, filed on Sep. 26, 2018, now Pat. No. Des. 891,583, which is a continuation of application No. 29/649,554, filed on May 31, 2018, now abandoned.
- (51) **LOC (13) Cl.** ..... **23-01**
- (52) **U.S. Cl.**  
USPC ..... **D23/245**
- (58) **Field of Classification Search**  
USPC .... D23/233-237, 241-249; 236/12.11, 12.1, 236/12.23, 102, 91 R; 137/625.4, 625.41, 137/625.46, 337  
CPC .... F16K 11/0743; F16K 11/044; F16K 17/20; F16K 27/02; G05D 23/1353  
See application file for complete search history.

- (56) **References Cited**  
U.S. PATENT DOCUMENTS  
7,850,088 B2 \* 12/2010 Wei ..... F16K 31/002  
236/12.1  
7,905,424 B2 \* 3/2011 Li ..... F16K 11/0746  
236/12.18  
D891,583 S \* 7/2020 Li ..... D23/233  
D919,055 S \* 5/2021 Li ..... D23/245  
\* cited by examiner

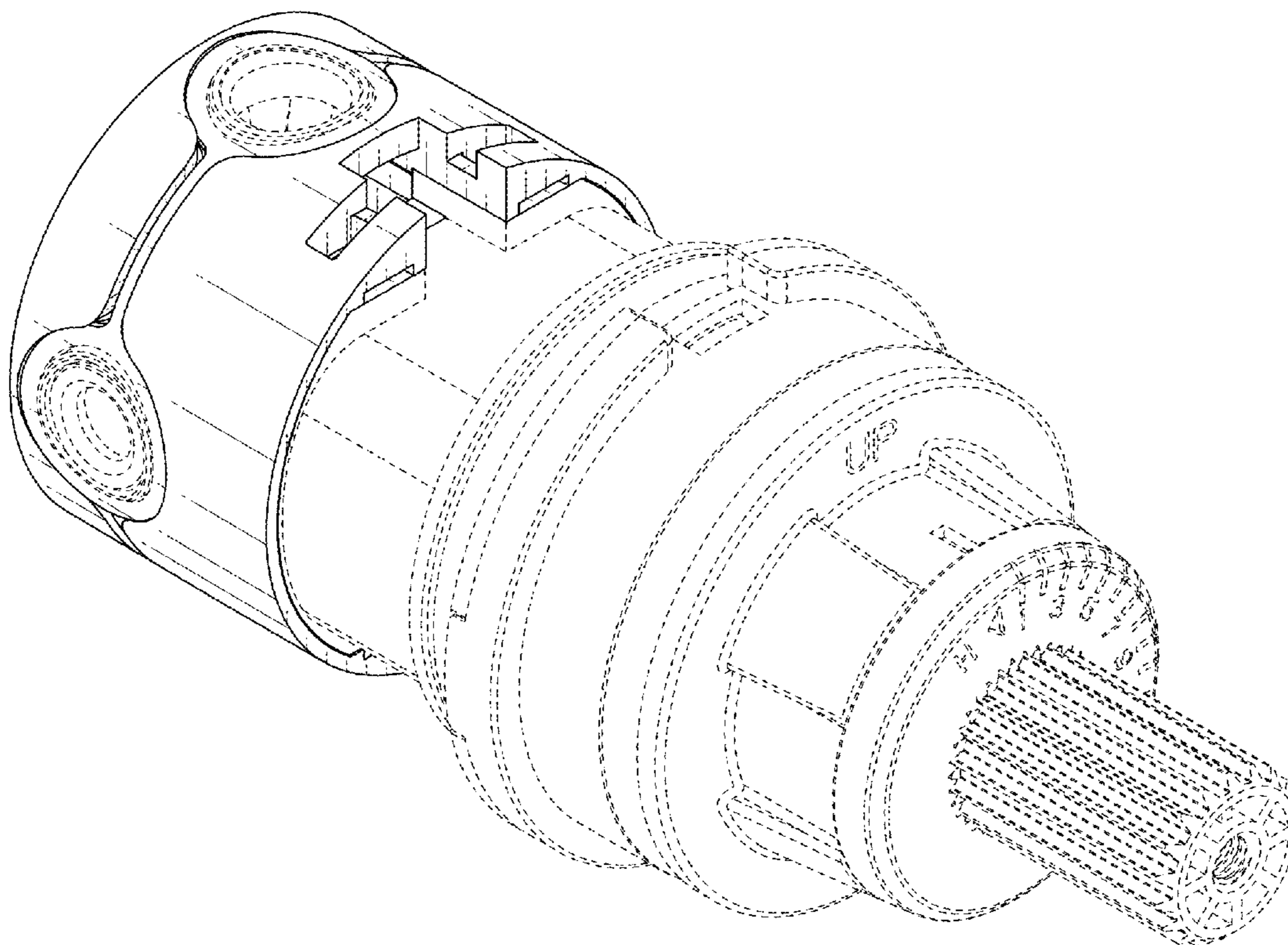
*Primary Examiner* — Gino Colan  
(74) *Attorney, Agent, or Firm* — Tyler A. Stevenson;  
Anna-lisa L. Gallo

- (57) **CLAIM**  
I claim the ornamental design for a pressure balance valve, as shown and described.

**DESCRIPTION**

FIG. 1 is a front perspective view of a pressure balance valve showing my new design;  
FIG. 2 is a rear perspective view thereof;  
FIG. 3 is a front elevational view thereof;  
FIG. 4 is a rear elevational view thereof;  
FIG. 5 is a left side elevational view thereof;  
FIG. 6 is a right side elevational view thereof;  
FIG. 7 is a top plan view thereof; and,  
FIG. 8 is a bottom plan view thereof.  
Broken lines represent portions of the pressure balance valve that form no part of the claimed design.

**1 Claim, 8 Drawing Sheets**



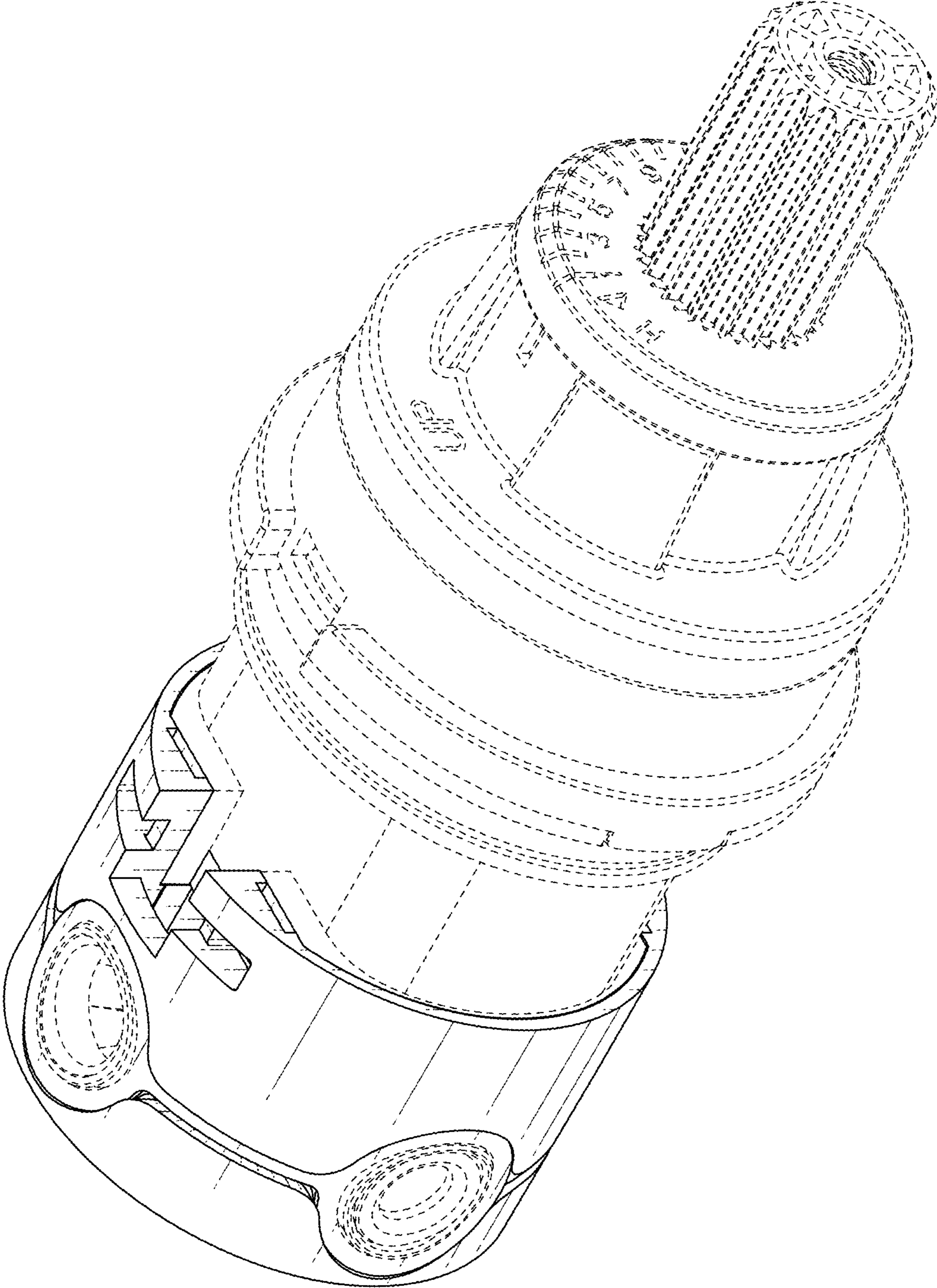


FIG. 1

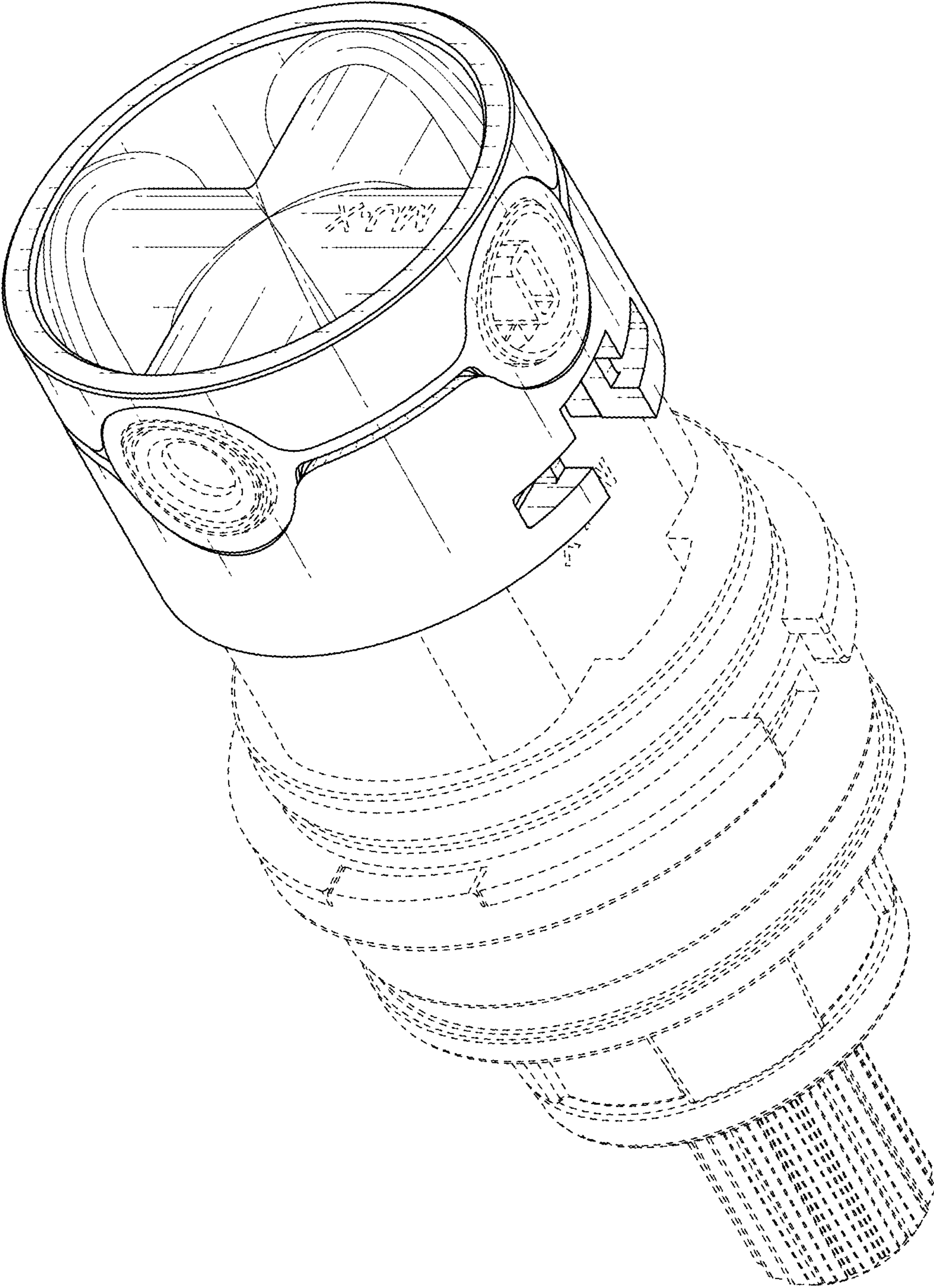


FIG. 2

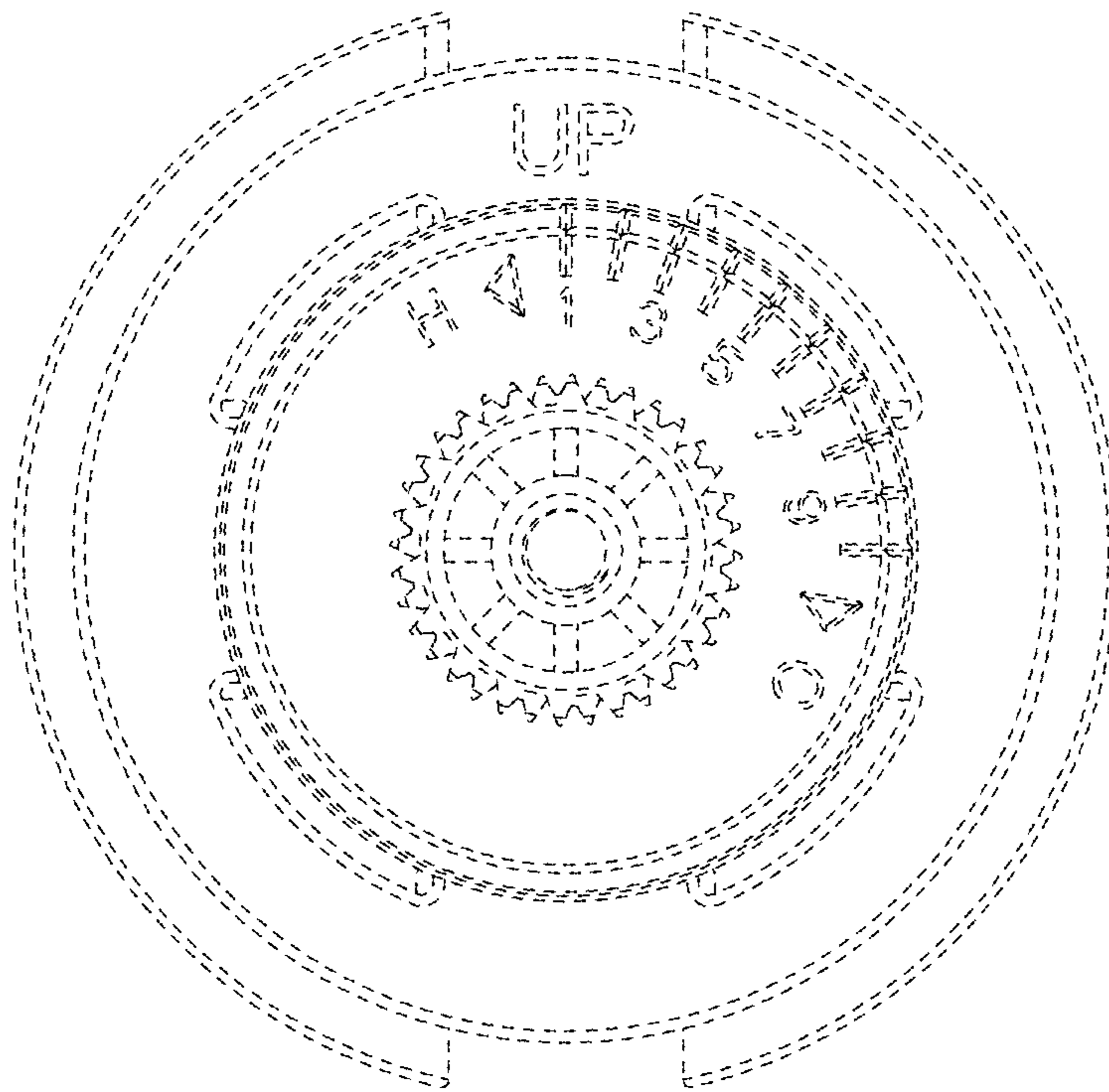


FIG. 3

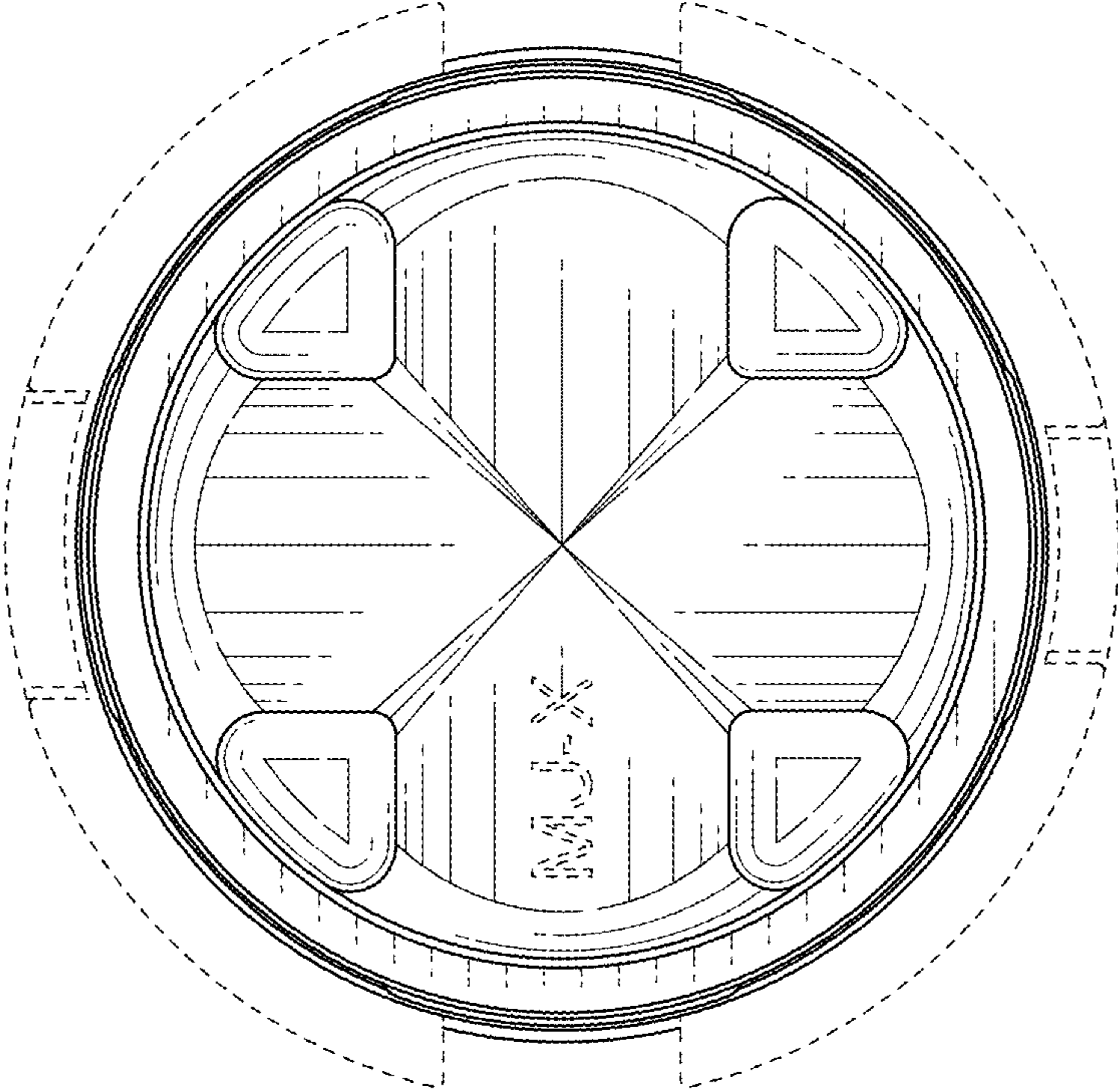


FIG. 4

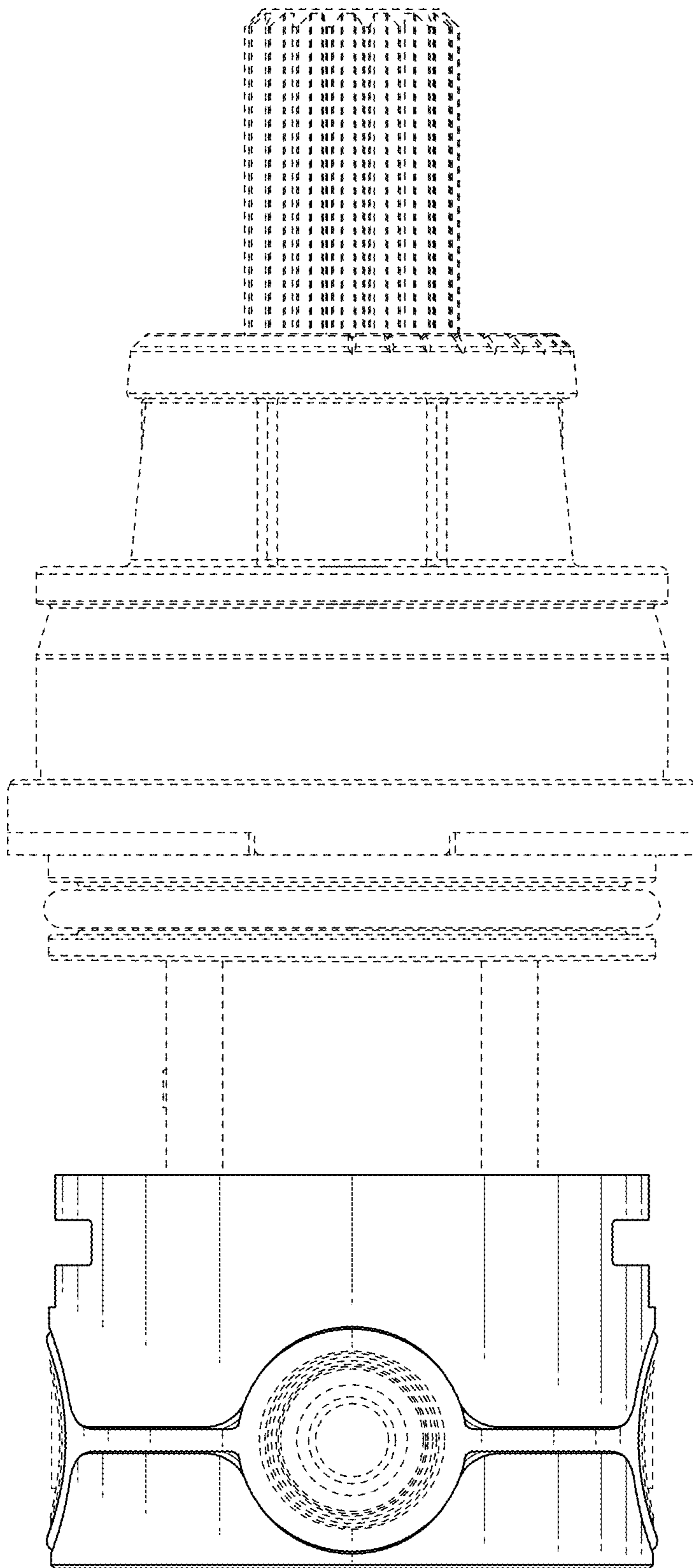


FIG. 5

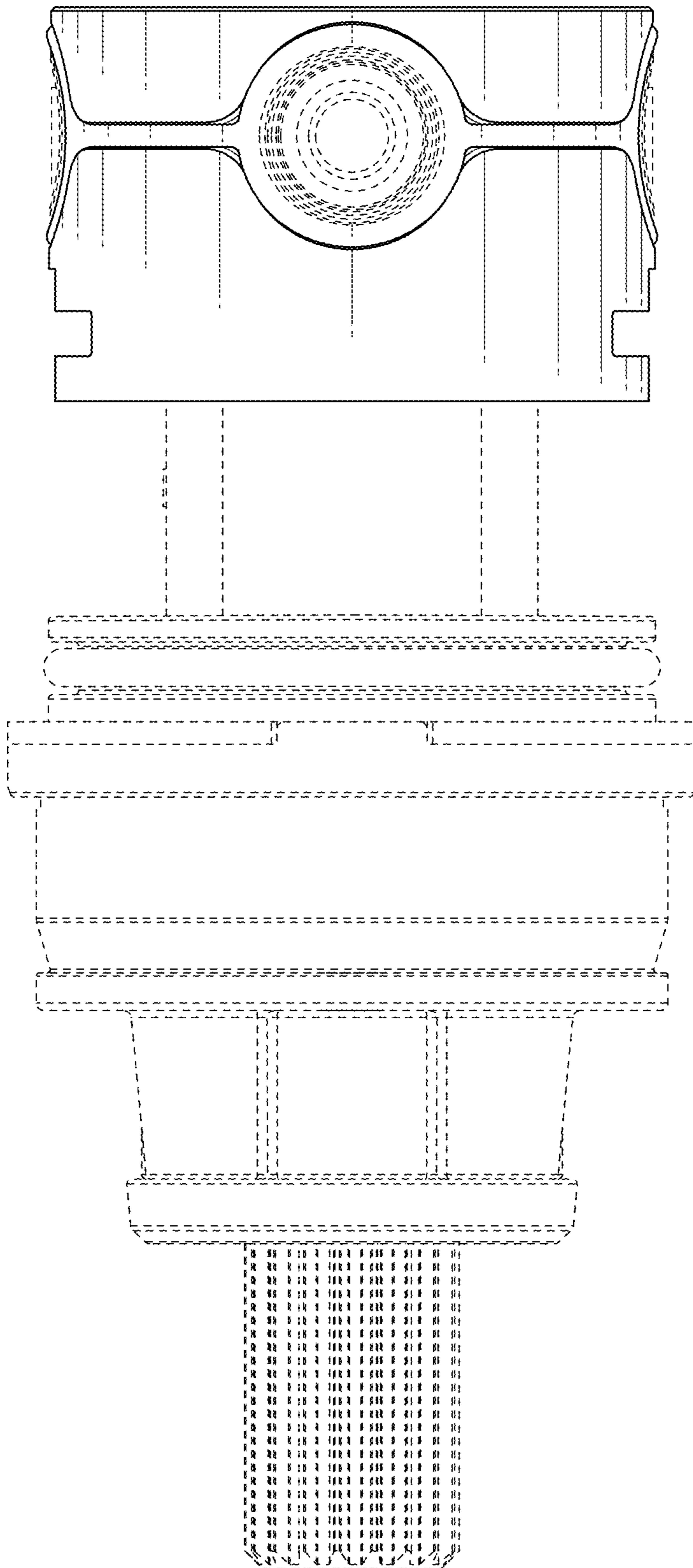


FIG. 6

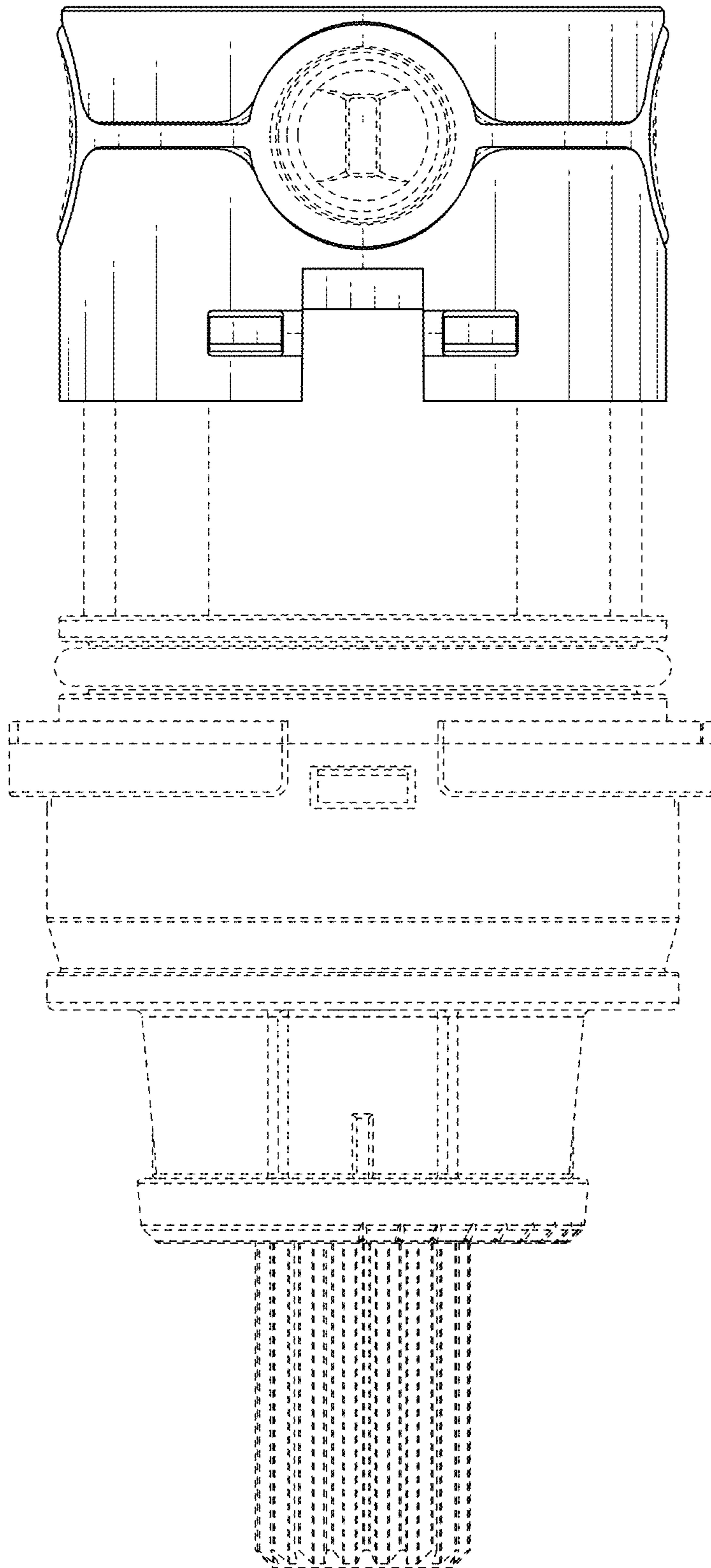


FIG. 7



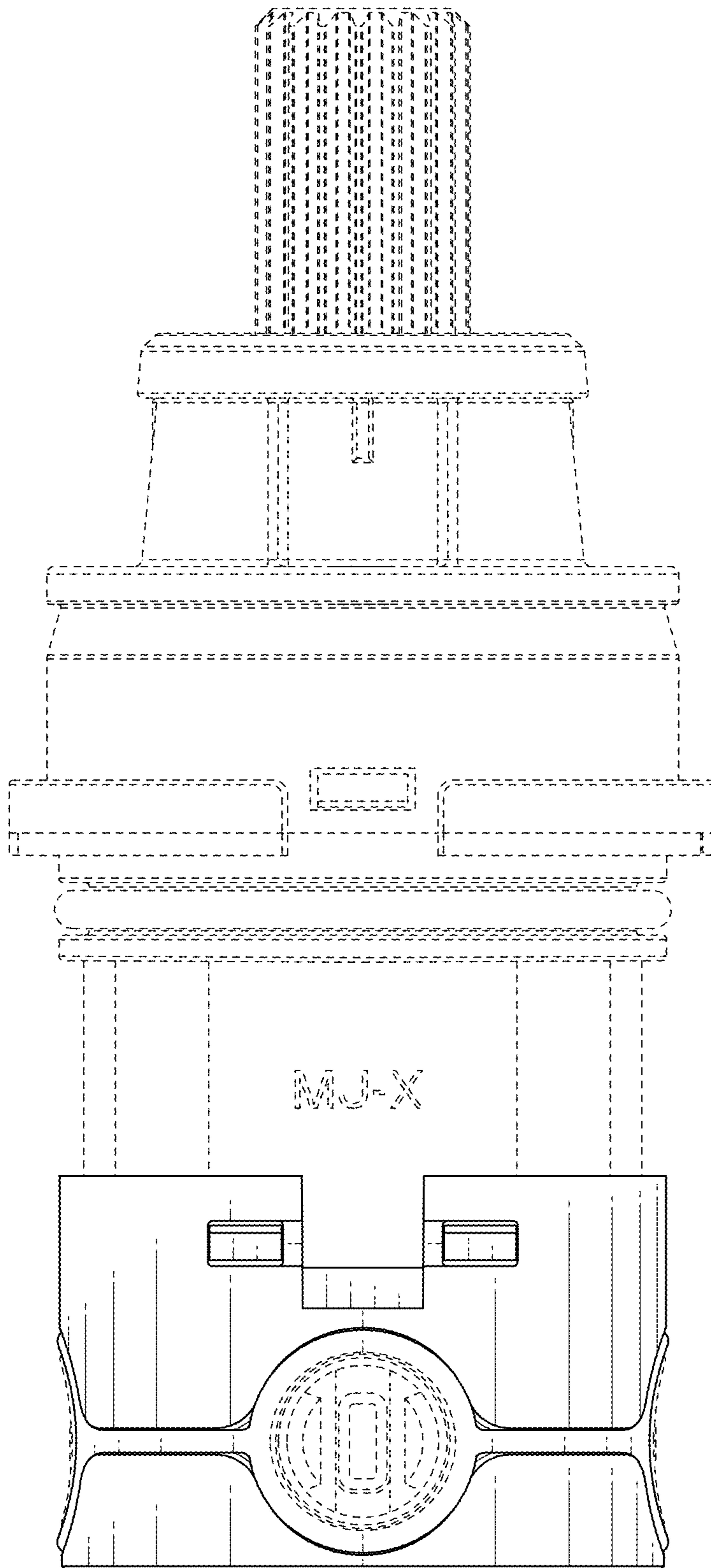


FIG. 8