

US00D937980S

(12) **United States Design Patent** (10) **Patent No.:** **US D937,980 S**
Williams et al. (45) **Date of Patent:** **** Dec. 7, 2021**

(54) **FAUCET**
(71) Applicant: **AS America, Inc.**, Piscataway, NJ (US)
(72) Inventors: **Emilie Williams**, New York, NY (US);
Jian Zhang, Guangzhou (CN)
(73) Assignee: **AS America, Inc.**, Piscataway, NJ (US)
(**) Term: **15 Years**

2017/0101765 A1* 4/2017 Song E03C 1/0403
2017/0219115 A1* 8/2017 Hong E03C 1/057
2018/0127959 A1* 5/2018 Yuan B05B 1/1618
2018/0163382 A1* 6/2018 Yuan E03C 1/122
2018/0179742 A1* 6/2018 Yuan E03C 1/0405
(Continued)

FOREIGN PATENT DOCUMENTS

CN 302883008 * 12/2013
CN 304542621 * 2/2018

(21) Appl. No.: **29/725,613**
(22) Filed: **Feb. 26, 2020**
(30) **Foreign Application Priority Data**

OTHER PUBLICATIONS

Hansgrohe Talis Kitchen Faucet, first available Aug. 3, 2010[online],
[site visited Feb. 11, 2021]. Available from internet, URL:<https://
www.amazon.com/Talis-Single-Hole-Kitchen-1spray/dp/
B006P7M2H6> (Year: 2010).*
(Continued)

Aug. 28, 2019 (CN) 201930470038.9
(51) **LOC (13) Cl.** **23-01**
(52) **U.S. Cl.**
USPC **D23/238**
(58) **Field of Classification Search**
USPC D23/238-244, 252, 254-255, 257;
D8/307-308
CPC F16K 31/602; F16K 31/605; F16K 31/607;
E03C 1/0412
See application file for complete search history.

Primary Examiner — Barbara Fox
Assistant Examiner — Jamaal Rasheed
(74) *Attorney, Agent, or Firm* — Tyler A. Stevenson;
Anna-lisa L. Gallo

(57) **CLAIM**

We claim the ornamental design for a faucet, shown and described.

(56) **References Cited**

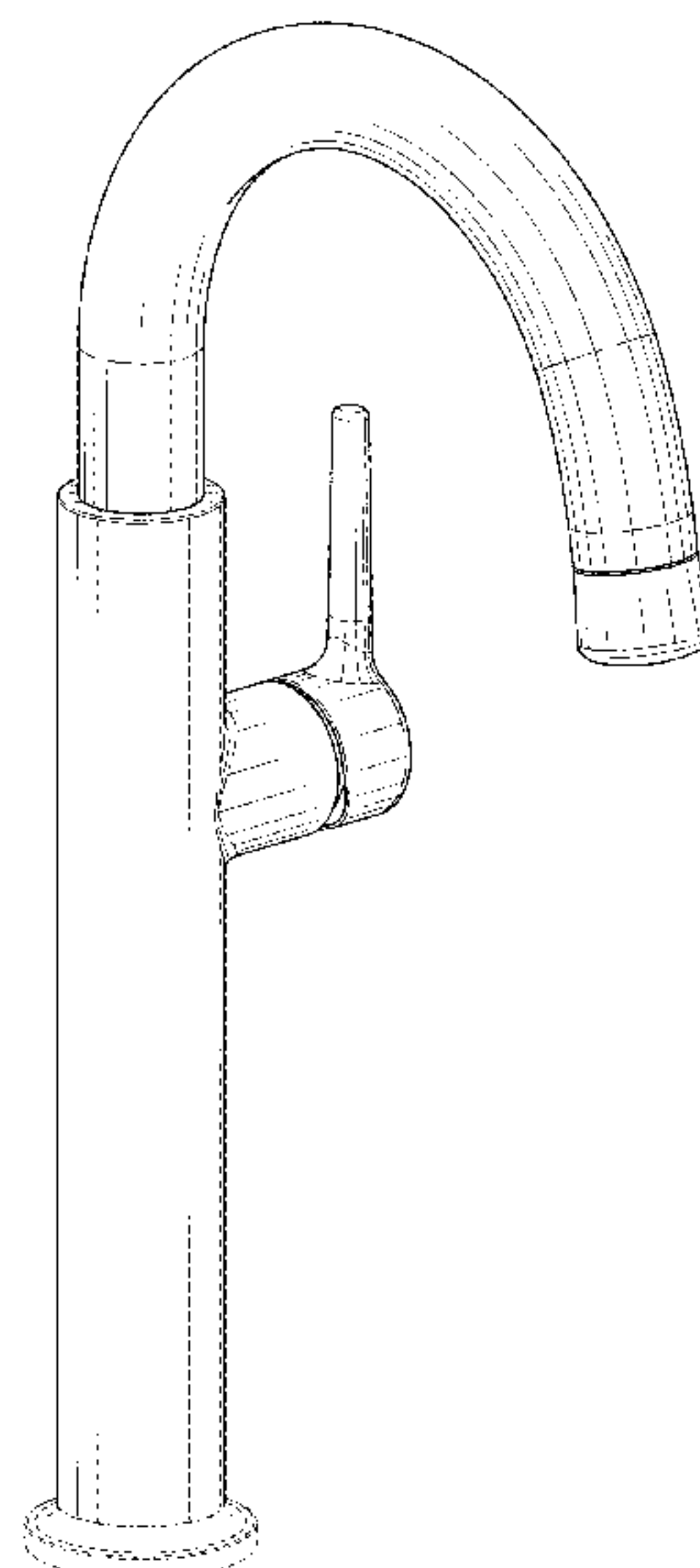
DESCRIPTION

U.S. PATENT DOCUMENTS

D461,540 S * 8/2002 Gottwald D23/243
D479,579 S * 9/2003 Haug D23/238
7,488,419 B1 * 2/2009 Wang E03C 1/046
210/198.1
D825,031 S * 8/2018 Haug D23/238
10,260,215 B2 * 4/2019 Chen E03C 1/0404
D860,398 S * 9/2019 Chen D23/238
D913,433 S * 3/2021 Ao D23/238
D914,846 S * 3/2021 Zhang D23/238
D914,847 S * 3/2021 Zhang D23/238
2013/0186489 A1 * 7/2013 Hsu F16K 27/044
137/603

FIG. 1 is a top, front, left side perspective view of a faucet showing our new design;
FIG. 2 is a front view thereof;
FIG. 3 is a rear view thereof;
FIG. 4 is a left side view thereof;
FIG. 5 is a right side view thereof;
FIG. 6 is a top view thereof; and,
FIG. 7 is a bottom view thereof.
The broken lines shown in the figures depict portions of the faucet that form no part of the claimed design.

1 Claim, 5 Drawing Sheets



(56)

References Cited

U.S. PATENT DOCUMENTS

2019/0055719 A1* 2/2019 Chen E03C 1/0404
2021/0024386 A1* 1/2021 Yang B01F 3/0446

OTHER PUBLICATIONS

Delta Faucet 9159-CZ-DST Standard Pull-Down, first available Sep. 25, 2009[online], [site visited Apr. 5, 2021]. Available from internet, URL:<<https://www.amazon.com/Trinsic-Single-Handle-Magnetic-Champagne-9159-CZ-DST/dp/B0050EN8E6>> (Year: 2009).*

American Standard 4803410.002 Studio S Pull-Down Bar Faucet, first available Sep. 1, 2019[online], [site visited Apr. 7, 2021]. Available from internet, URL:<<https://www.amazon.com/American-Standard-4803410-002-Pull-Down-Polished/dp/B07X51RMQ5>> (Year: 2019).*

American Standard 4803300.002 Studio S Pull-Down Kitchen Faucet, first available Sep. 1, 2019[online], [site visited Apr. 7, 2021]. Available from internet, URL:<<https://www.amazon.com/American-Standard-4803300-002-Pull-Down-Polished/dp/B07WZPQS2B>> (Year: 2019).*

* cited by examiner

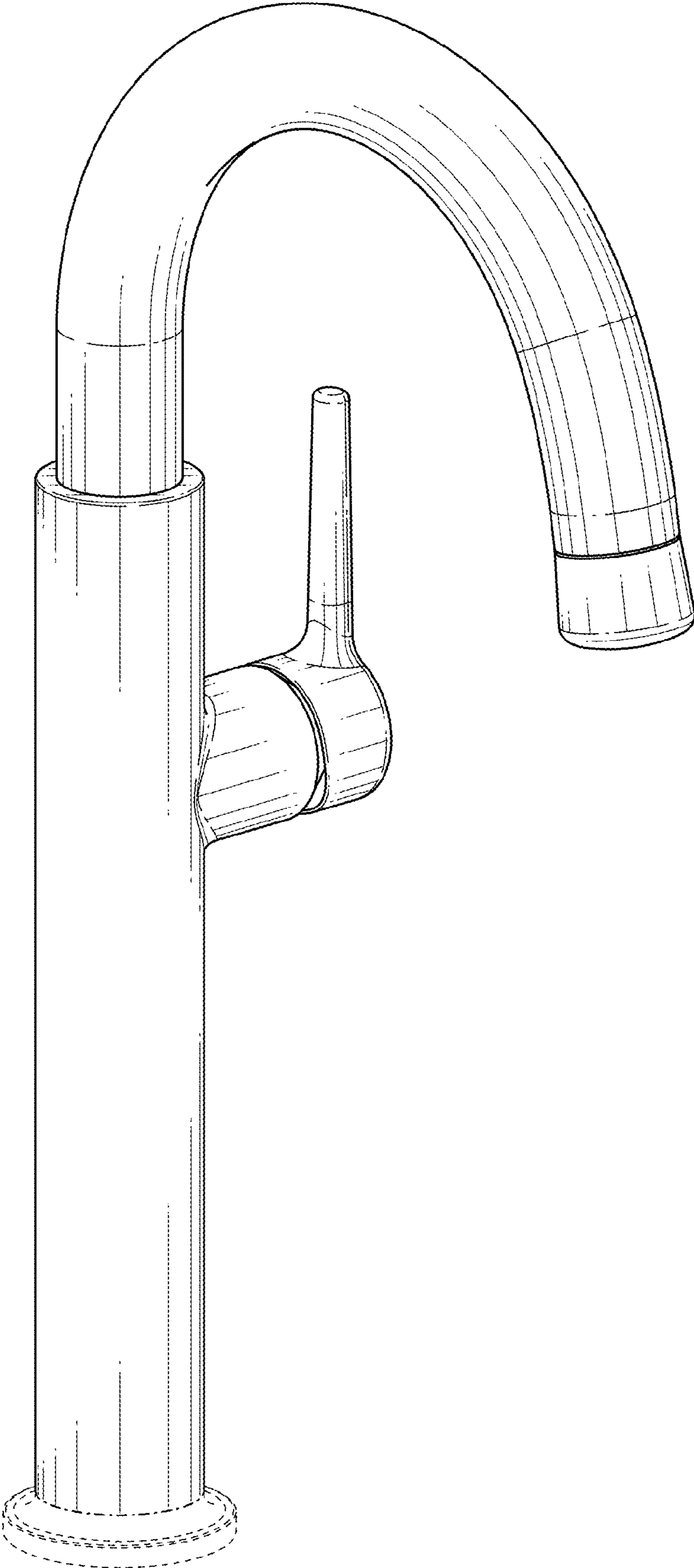


FIG. 1

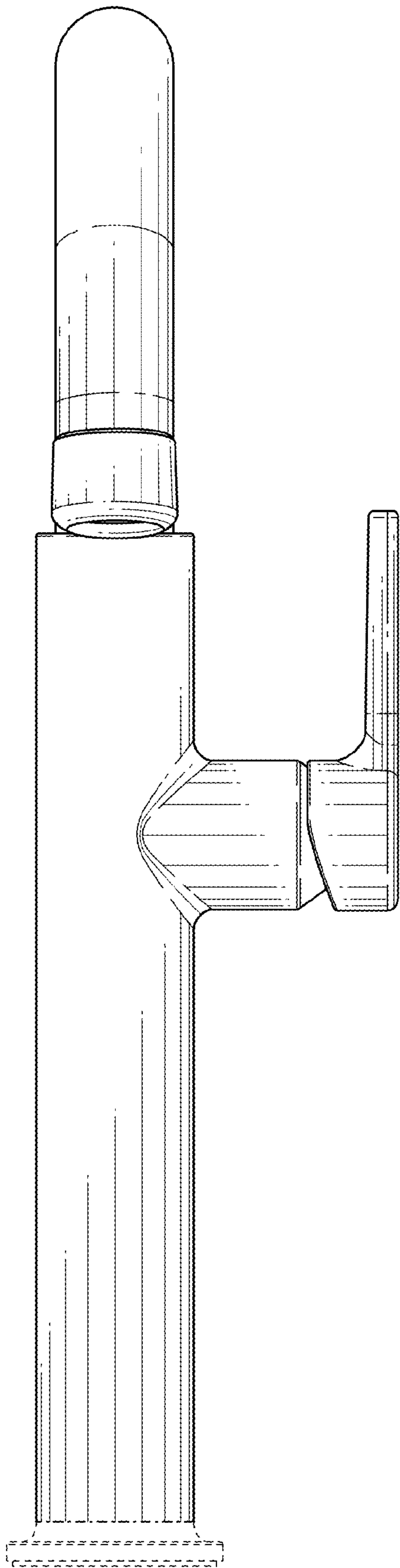


FIG. 2

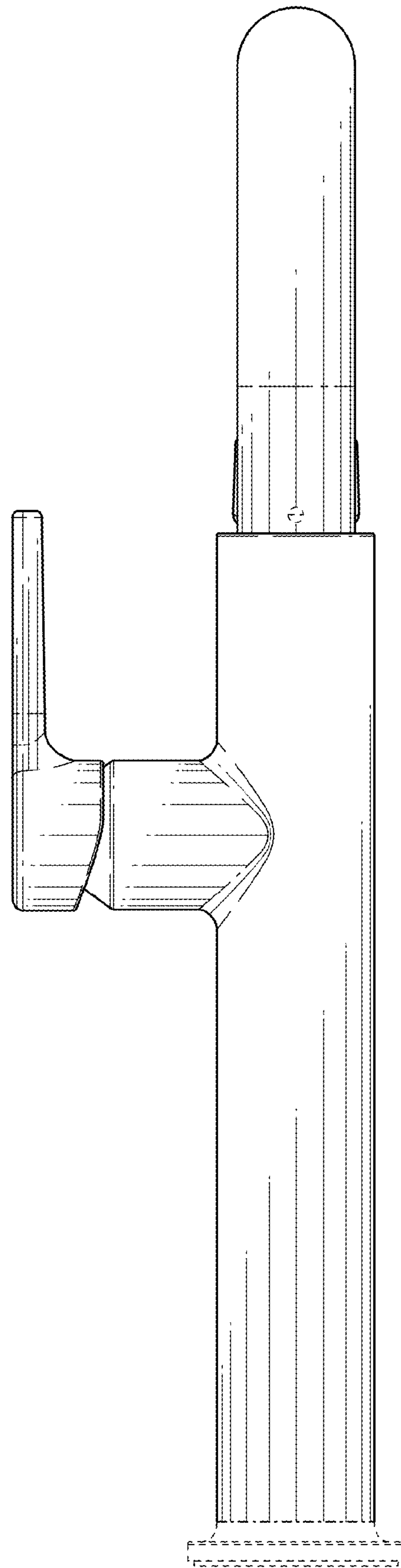


FIG. 3

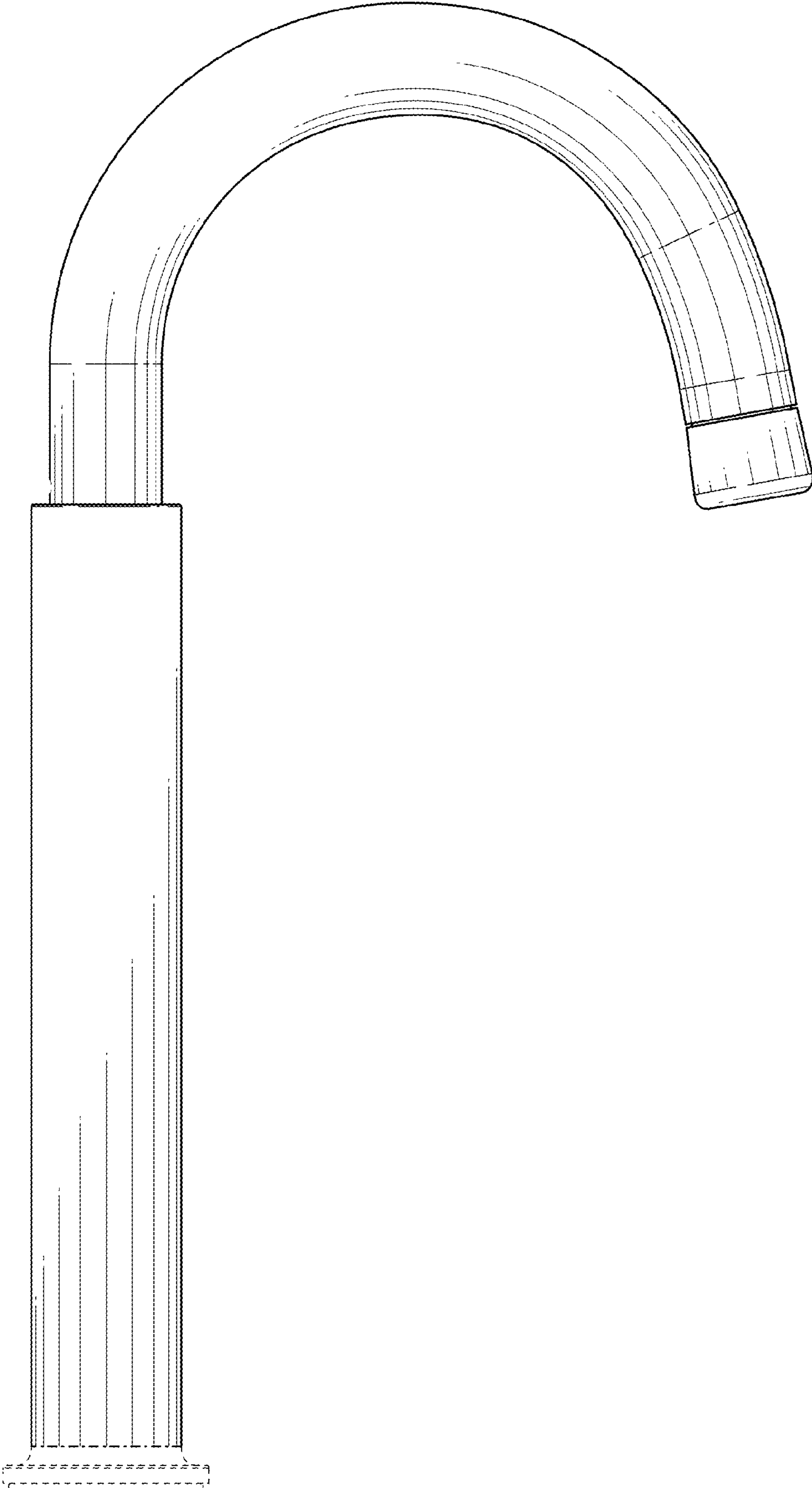


FIG. 4

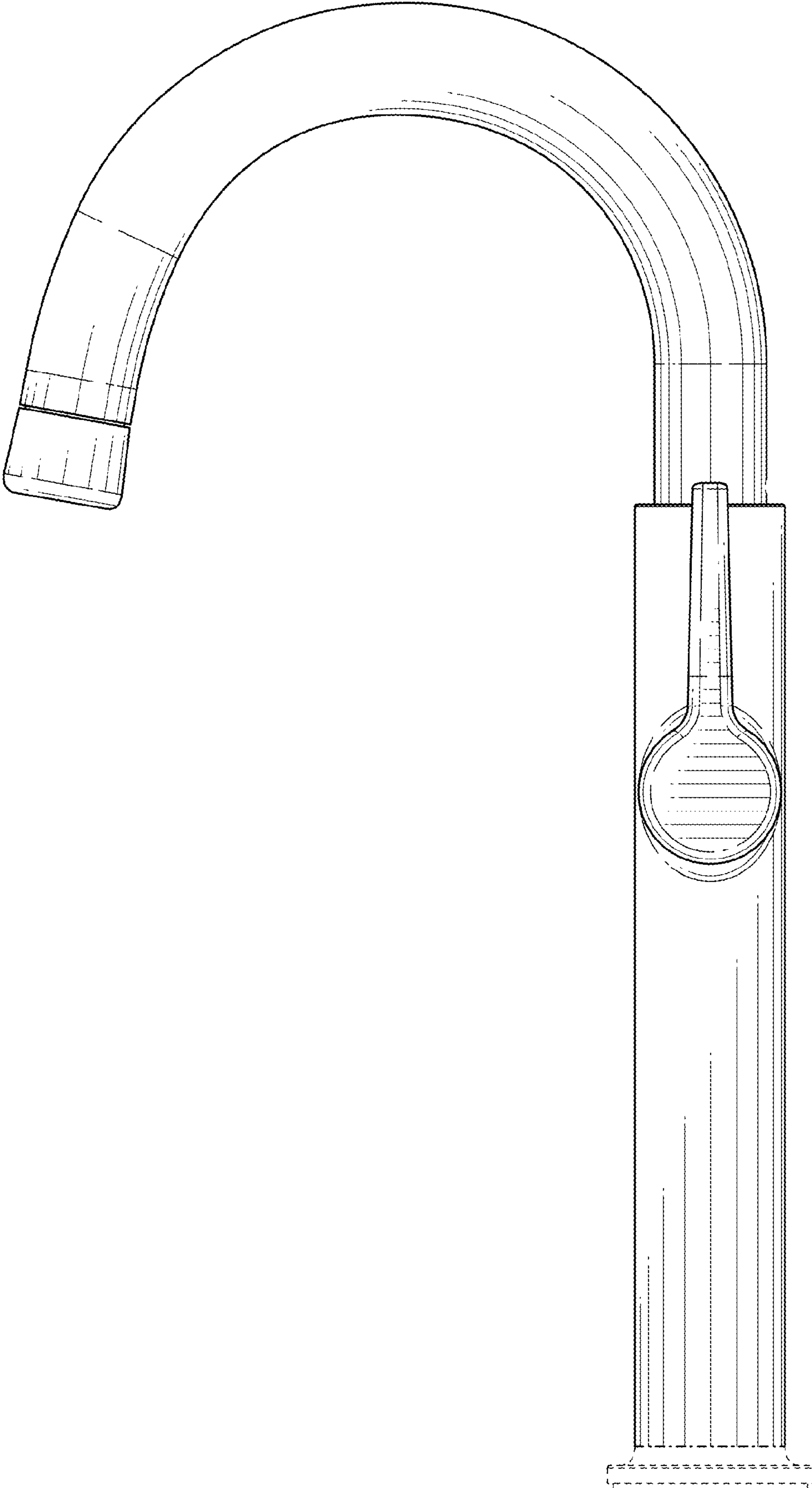


FIG. 5

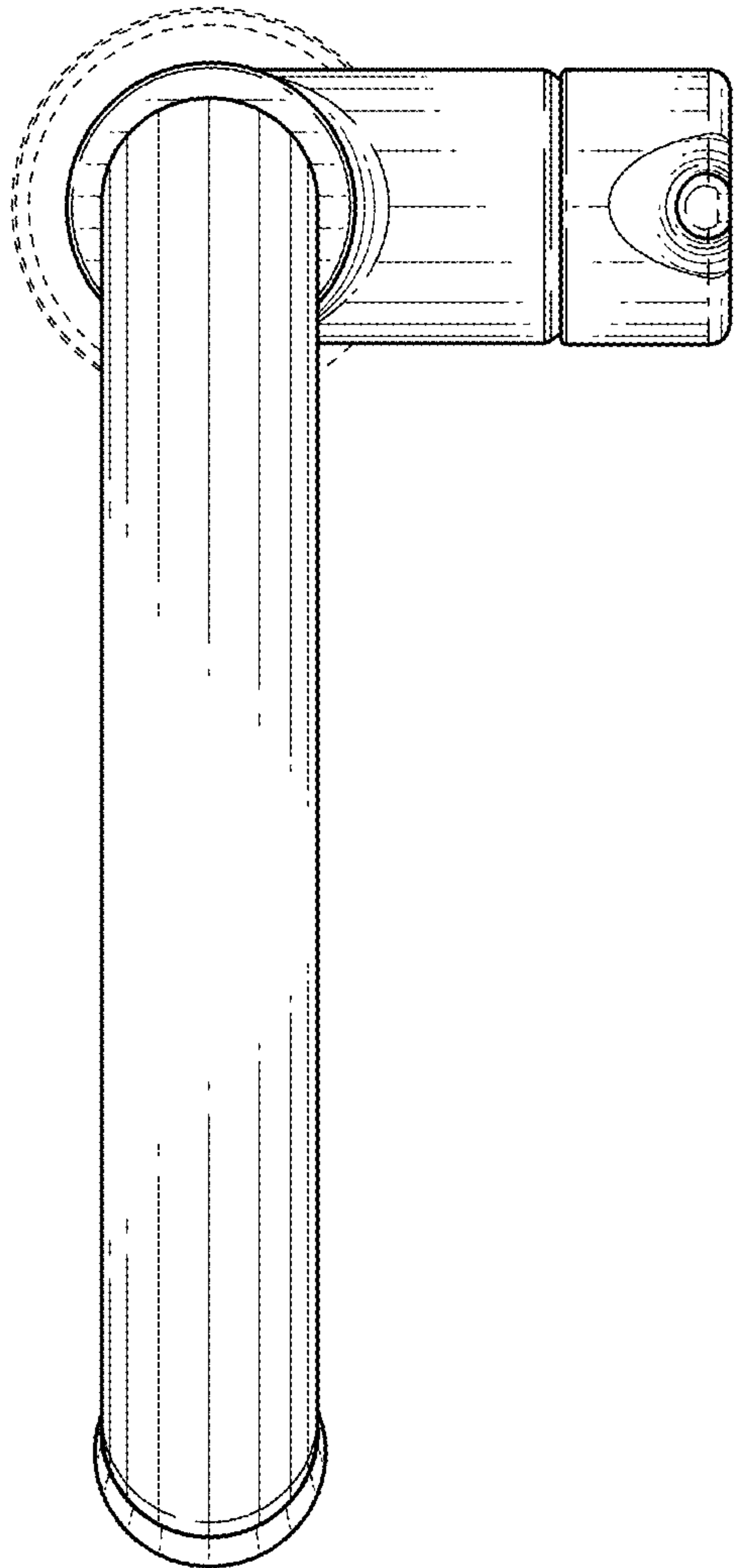


FIG. 6

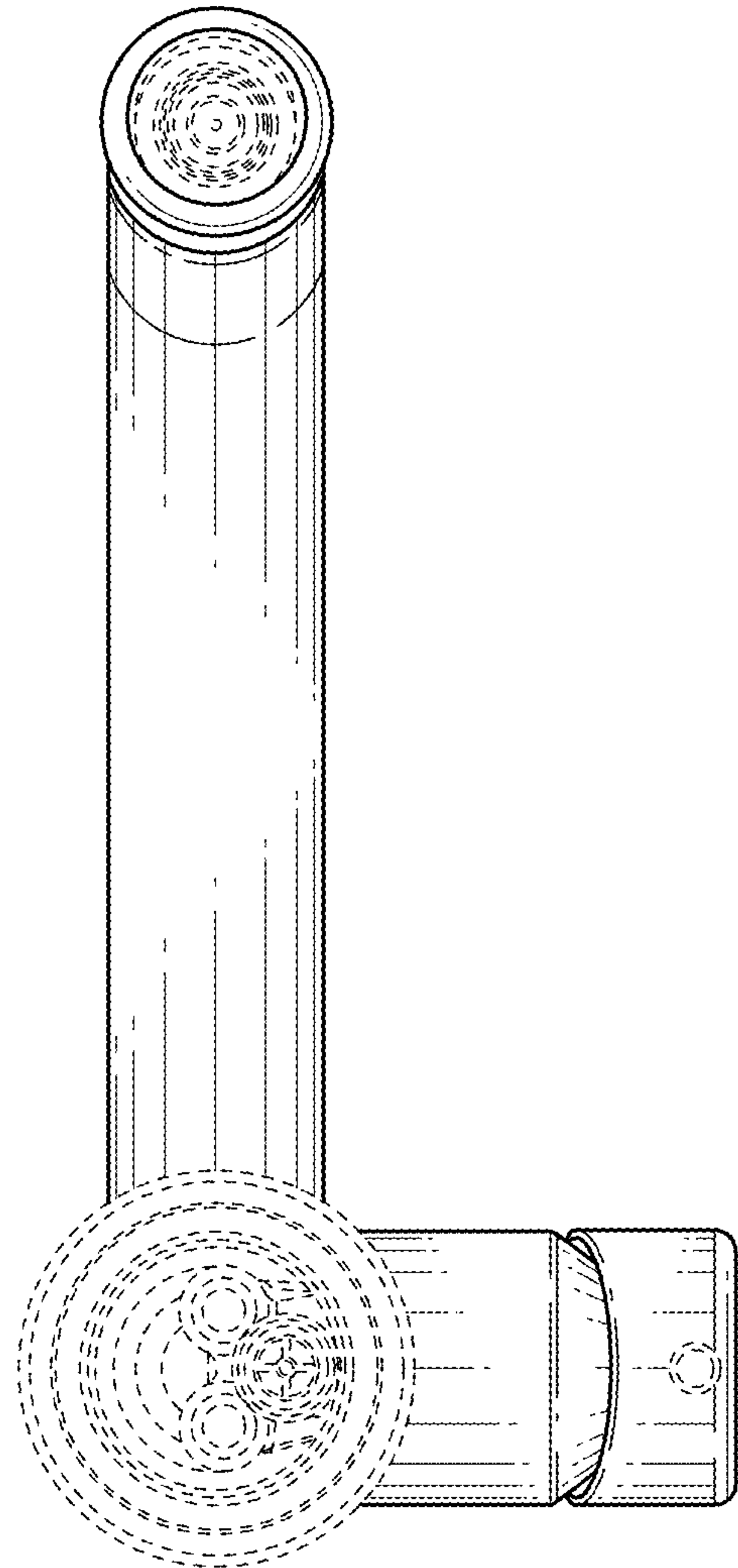


FIG. 7