



US00D937979S

(12) **United States Design Patent**
Stoler

(10) **Patent No.:** **US D937,979 S**

(45) **Date of Patent:** **** Dec. 7, 2021**

(54) **FAUCET BODY**

D922,530 S * 6/2021 Lazarini D23/238
D922,531 S * 6/2021 Staler D23/238
D923,148 S * 6/2021 Lazarini D23/238

(71) Applicant: **DELTA FAUCET COMPANY,**
Indianapolis, IN (US)

(72) Inventor: **Benjamin Stoler,** Carmel, IN (US)

(73) Assignee: **DELTA FAUCET COMPANY,**
Indianapolis, IN (US)

(**) Term: **15 Years**

(21) Appl. No.: **29/721,592**

(22) Filed: **Jan. 22, 2020**

(51) **LOC (13) Cl.** **23-01**

(52) **U.S. Cl.**
USPC **D23/238**

(58) **Field of Classification Search**
USPC D23/238–243, 249, 255, 257
CPC E03C 1/0401; E03C 1/0402; E03C 1/0404;
E03C 1/0405; E03C 1/0412

See application file for complete search history.

(56) **References Cited**

U.S. PATENT DOCUMENTS

D76,827 S * 11/1928 Smith D23/252
D163,236 S * 5/1951 Young D23/249
D429,521 S * 8/2000 Doughty D23/250
D452,101 S * 12/2001 Yeh D6/550
D478,754 S * 8/2003 Moore D6/524
D494,396 S * 8/2004 Veltz D6/524
D516,354 S * 3/2006 Sedwick D6/550
D868,939 S * 12/2019 Bahler D23/238
D875,217 S * 2/2020 Bahler D23/238
D875,218 S * 2/2020 Chen D23/255
D921,842 S * 6/2021 Fritz D23/238

OTHER PUBLICATIONS

Moen Brantford Motionsense Wave Touchless One-Handle Pulldown Kitchen Faucet, announced Dec. 1, 2018[online], [site visited Jul. 28, 2021], Available from internet, URL:< <https://www.amazon.com/Moen-Brantford-Motionsense-One-Handle-7185EWC/dp/B07MHJX584>> (Year: 2018).*

* cited by examiner

Primary Examiner — Barbara Fox

Assistant Examiner — Jamaal Rasheed

(74) *Attorney, Agent, or Firm* — Nirav D. Parikh; Edgar A. Zarins

(57) **CLAIM**

The ornamental design for a faucet body, as shown and described.

DESCRIPTION

FIG. 1 is a front perspective view of a faucet body showing my new design;

FIG. 2 is a rear perspective view thereof;

FIG. 3 is a front elevational view thereof;

FIG. 4 is a left side view thereof;

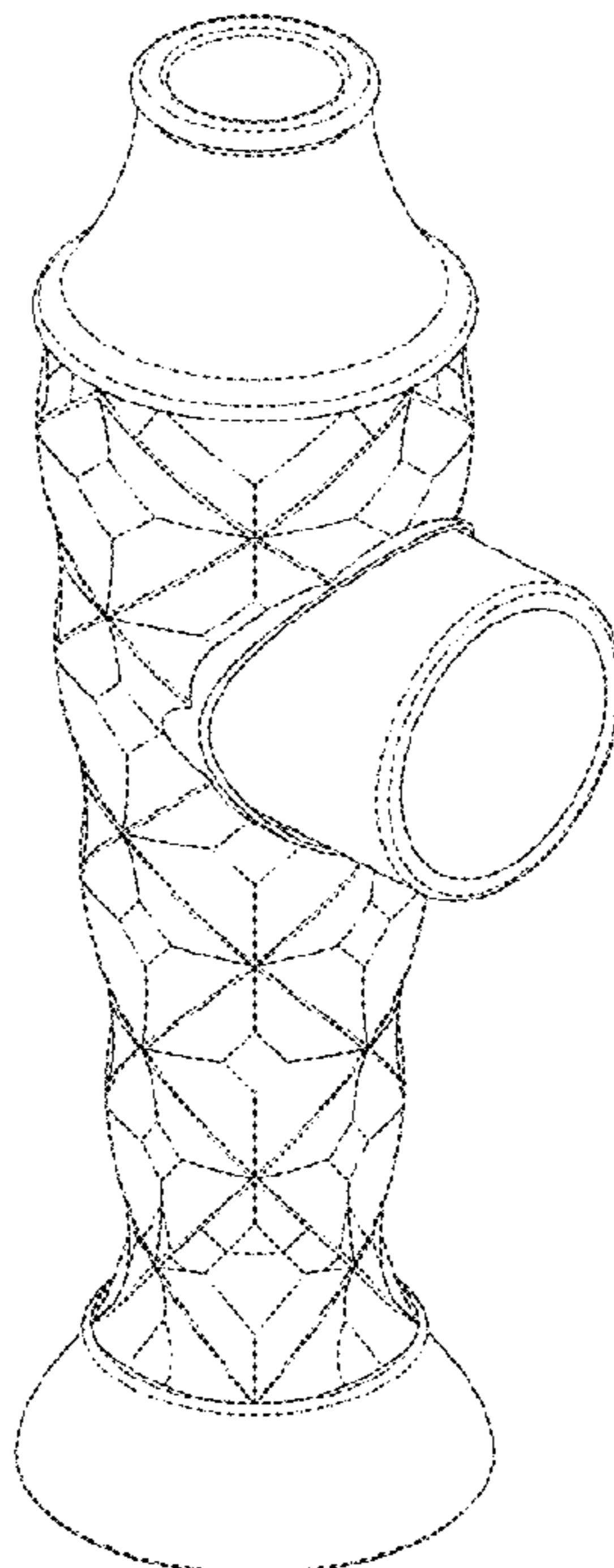
FIG. 5 is a rear view thereof;

FIG. 6 is a right side view thereof; and,

FIG. 7 is a top plan view thereof.

The broken line showing of the faucet body is for the purposes of depicting portions of the article and forms no part of the claimed design.

1 Claim, 4 Drawing Sheets



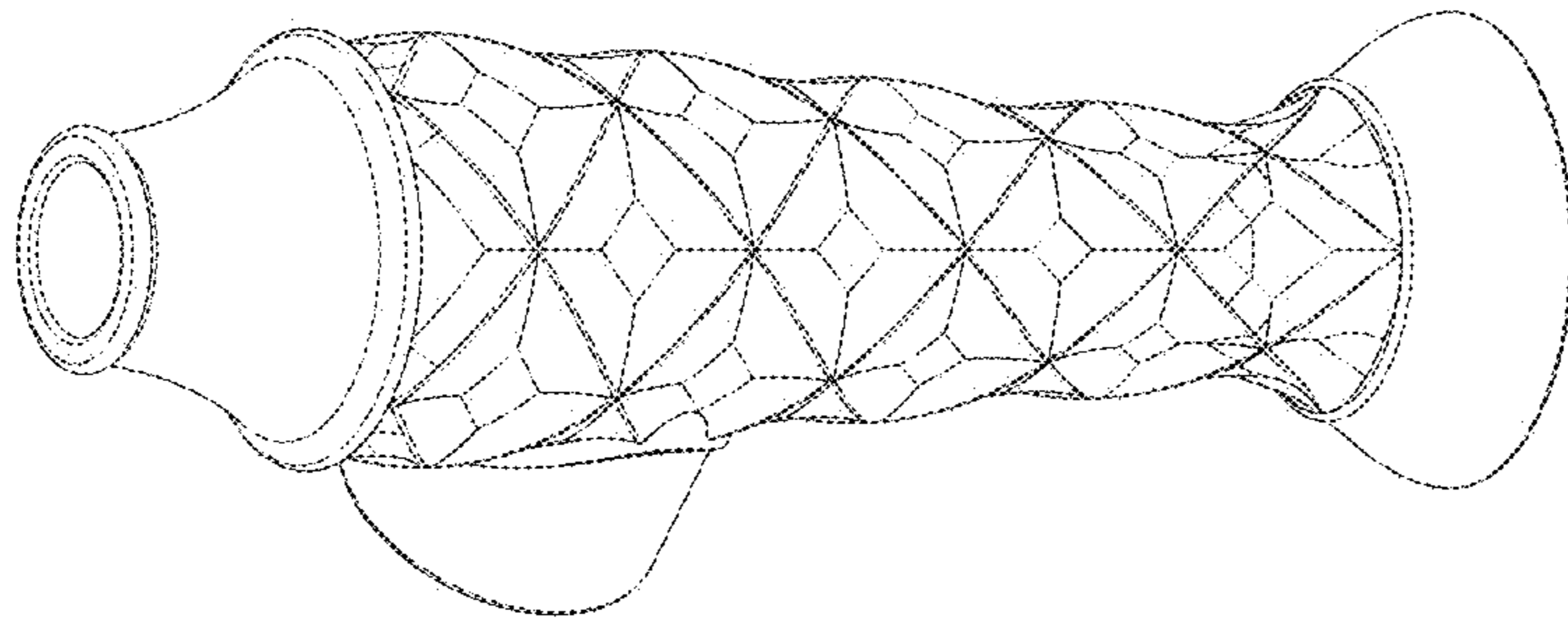


FIG - 2

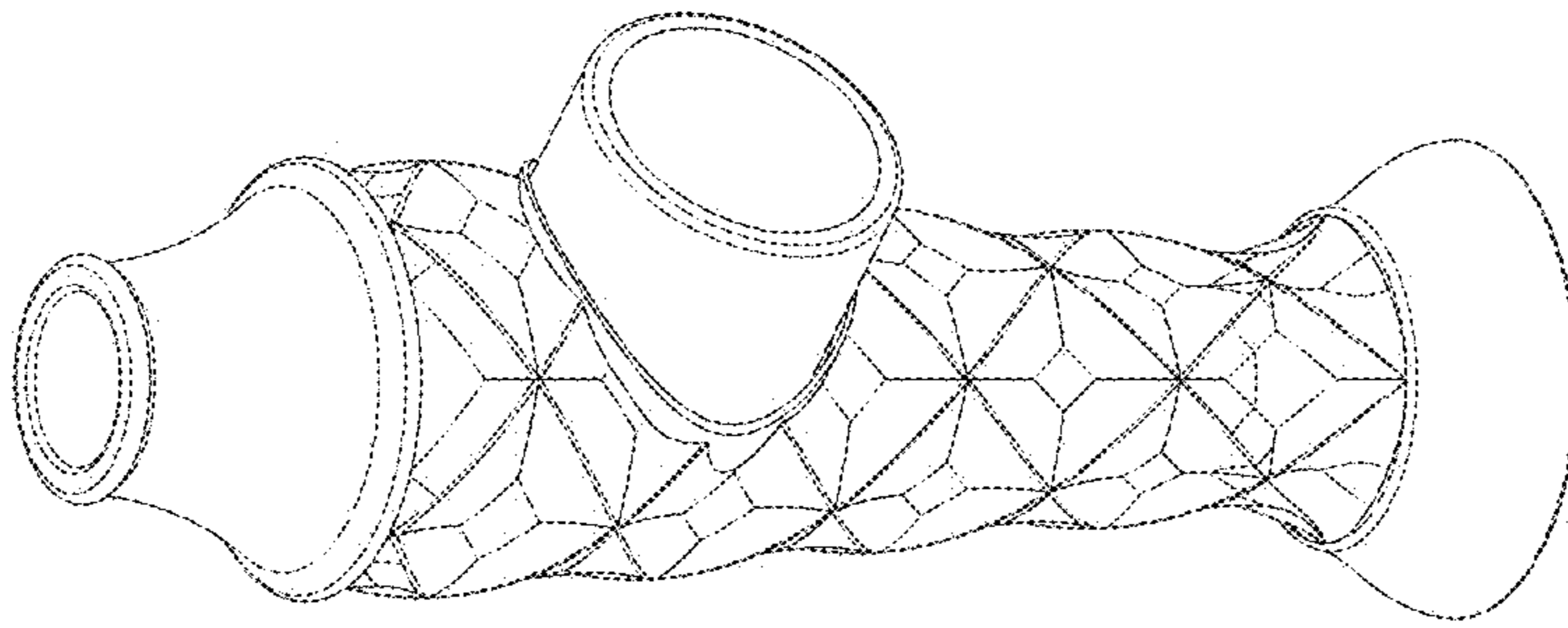


FIG - 1

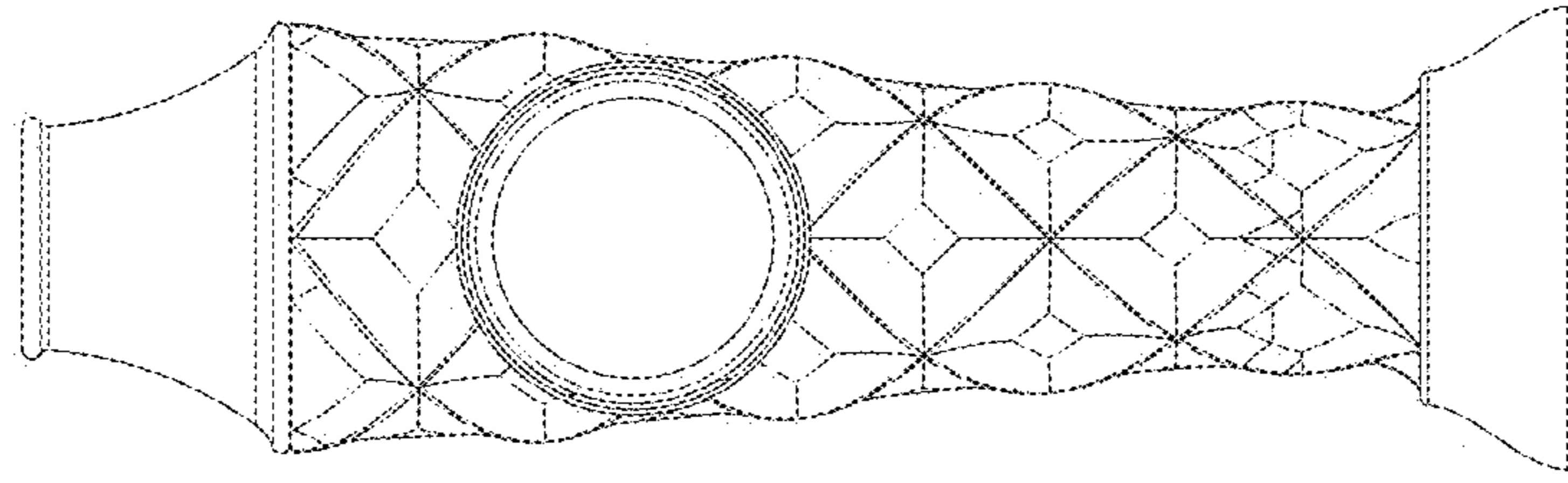


FIG - 4

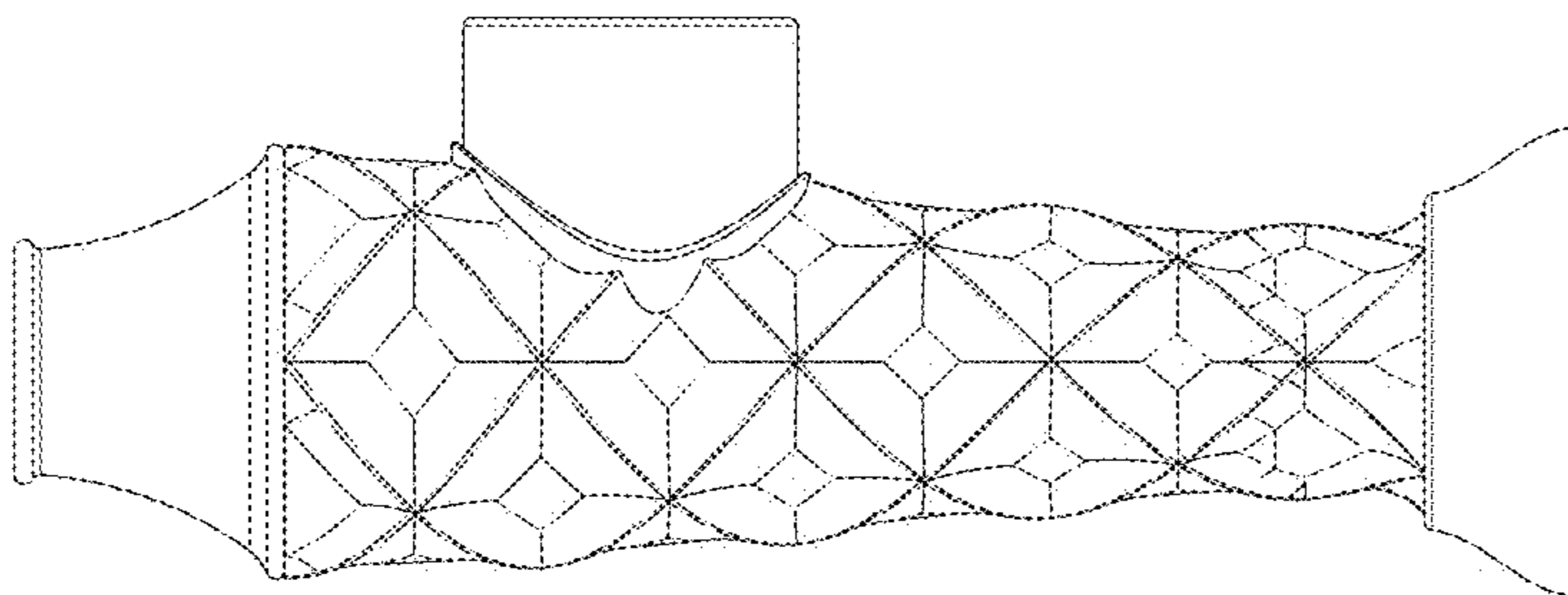


FIG - 3

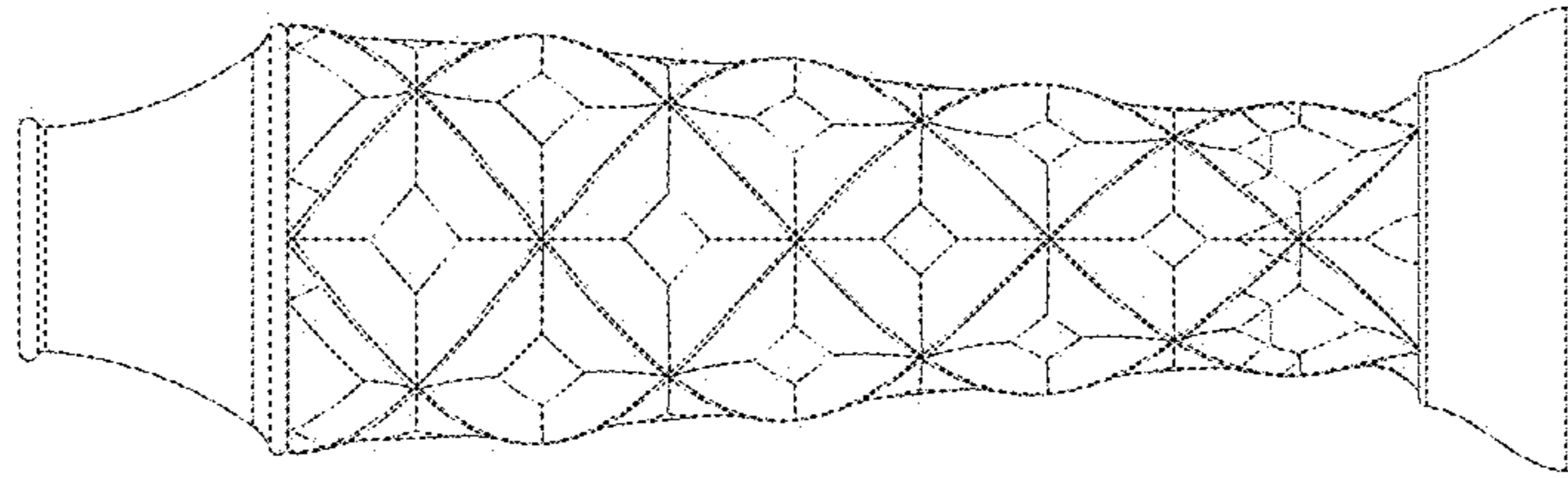


FIG - 6

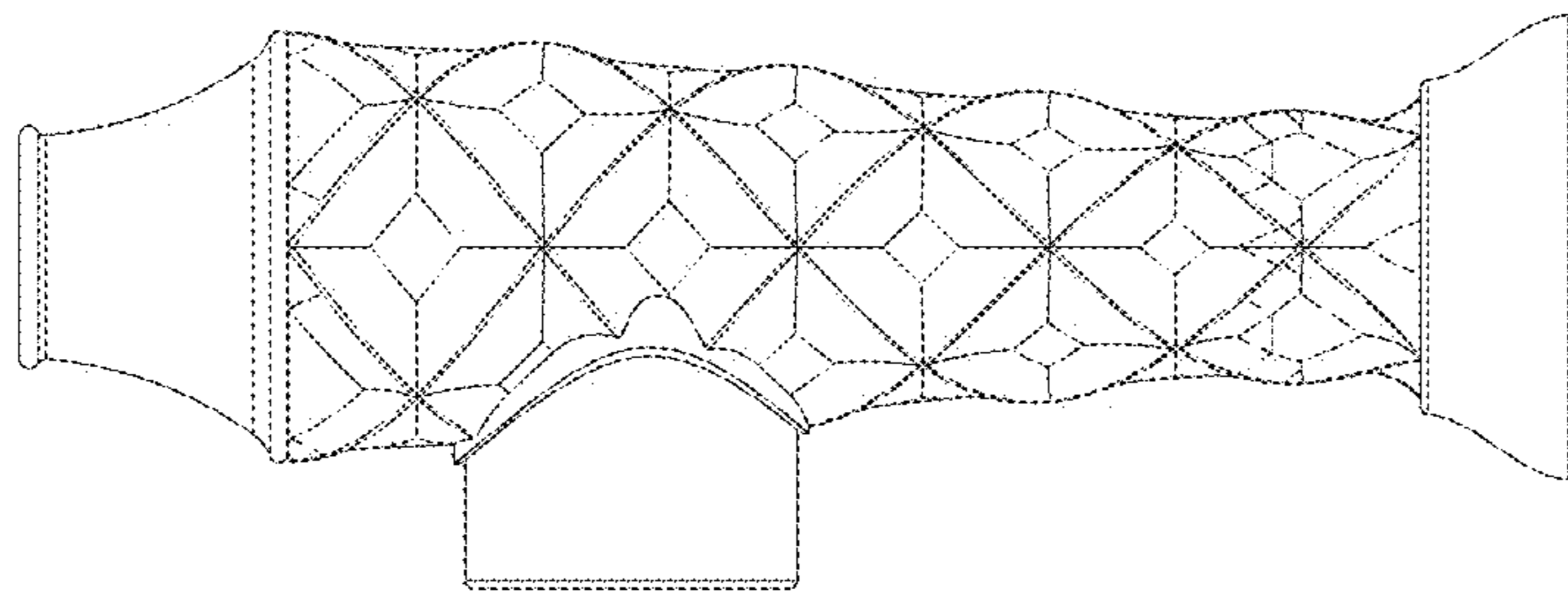


FIG - 5

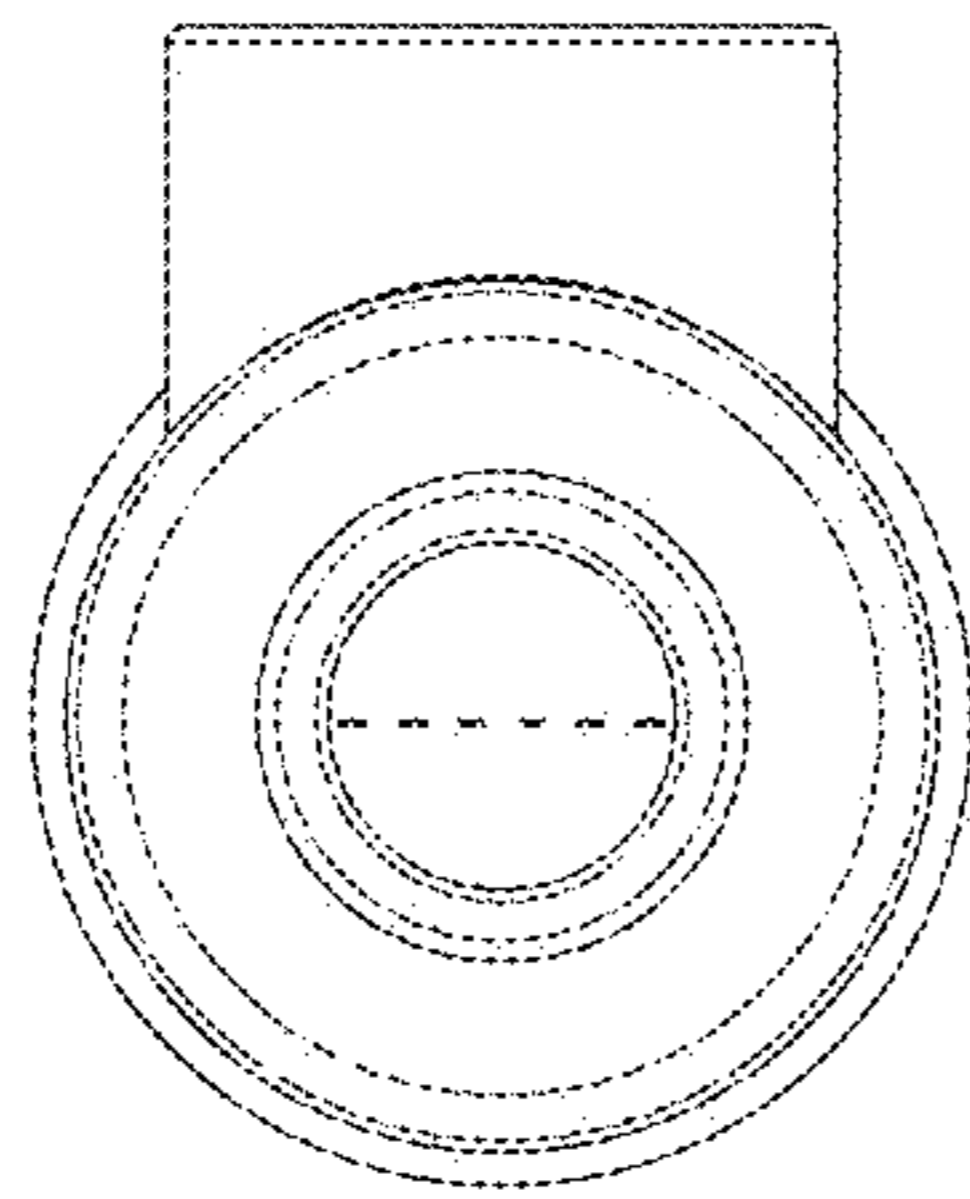


FIG - 7