



US00D937978S

(12) **United States Design Patent** (10) **Patent No.:** **US D937,978 S**
Lazarini (45) **Date of Patent:** **** Dec. 7, 2021**

(54) **FAUCET BODY**
(71) Applicant: **DELTA FAUCET COMPANY,**
Indianapolis, IN (US)
(72) Inventor: **Alejandra Lazarini,** Carmel, IN (US)
(73) Assignee: **DELTA FAUCET COMPANY,**
Indianapolis, IN (US)
(**) Term: **15 Years**
(21) Appl. No.: **29/719,809**
(22) Filed: **Jan. 8, 2020**
(51) **LOC (13) Cl.** **23-01**
(52) **U.S. Cl.**
USPC **D23/238**
(58) **Field of Classification Search**
USPC D23/238-243, 249, 255, 257
CPC E03C 1/0401; E03C 1/0402; E03C 1/0404;
E03C 1/0405; E03C 1/0412
See application file for complete search history.

D921,842 S * 6/2021 Fritz D23/238
D922,530 S * 6/2021 Lazarini D23/238
D922,531 S * 6/2021 Stoler D23/238
D923,148 S * 6/2021 Lazarini D23/238

OTHER PUBLICATIONS

KOHLER Bellera Pull Down Kitchen Faucet, first available May 21, 2011 [online], [site visited Jul. 27, 2021]. Available from internet, URL :< <https://www.amazon.com/dp/B0053XPRIE?tag=merchdope1-20>> (Year: 2011).*

* cited by examiner

Primary Examiner — Barbara Fox

Assistant Examiner — Jamaal Rasheed

(74) *Attorney, Agent, or Firm* — Nirav D. Parikh; Edgar A. Zarins

(57) **CLAIM**

The ornamental design for a faucet body, as shown and described.

DESCRIPTION

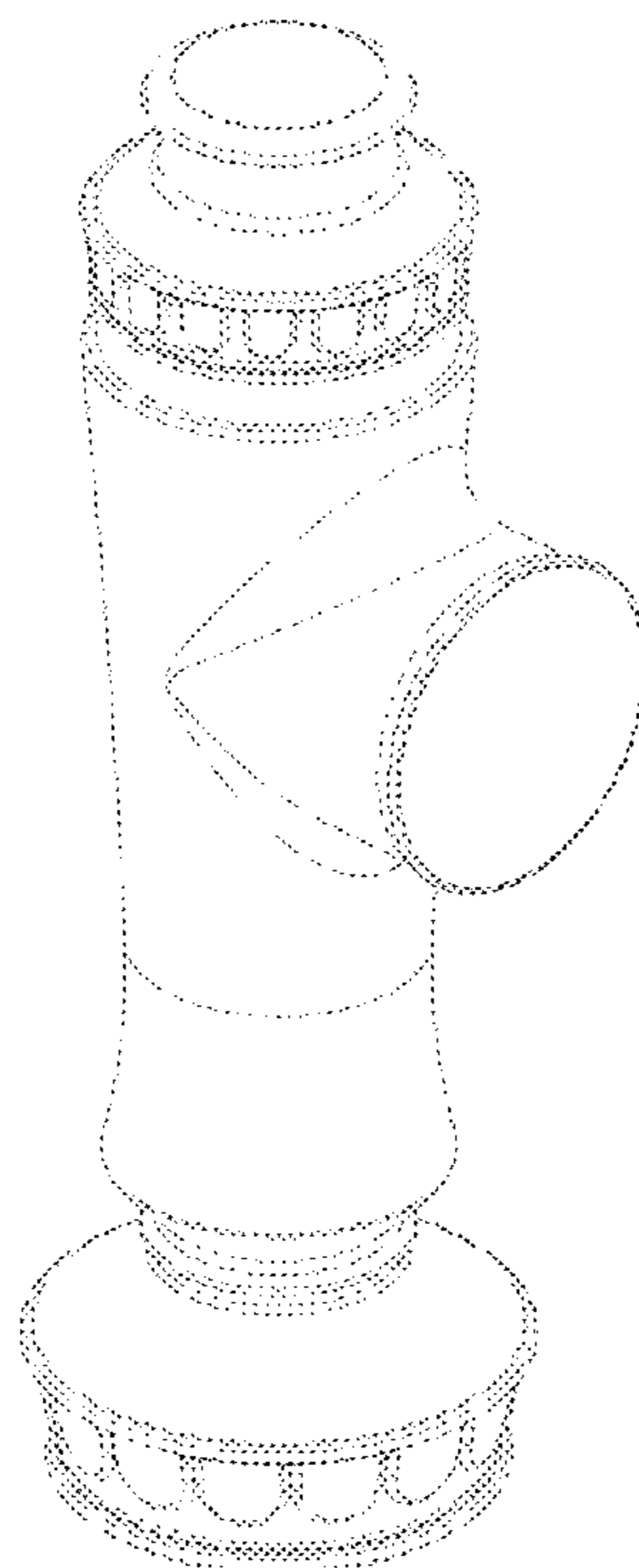
FIG. 1 is a front perspective view of a faucet body showing my new design;
FIG. 2 is a rear perspective view thereof;
FIG. 3 is a front elevational view thereof;
FIG. 4 is a left side view thereof;
FIG. 5 is a rear view thereof;
FIG. 6 is a right side view thereof;
FIG. 7 is a top plan view thereof; and,
FIG. 8 is a bottom view thereof.

1 Claim, 4 Drawing Sheets

(56) **References Cited**

U.S. PATENT DOCUMENTS

D76,827 S * 11/1928 Smith D23/252
D163,236 S * 5/1951 Young D23/249
D429,521 S * 8/2000 Doughty D23/250
D452,101 S * 12/2001 Yeh D6/550
D478,754 S * 8/2003 Moore D6/524
D494,396 S * 8/2004 Veltz D6/524
D516,354 S * 3/2006 Sedwick D6/550
D868,939 S * 12/2019 Bahler D23/238
D875,217 S * 2/2020 Bahler D23/238
D875,218 S * 2/2020 Chen D23/255



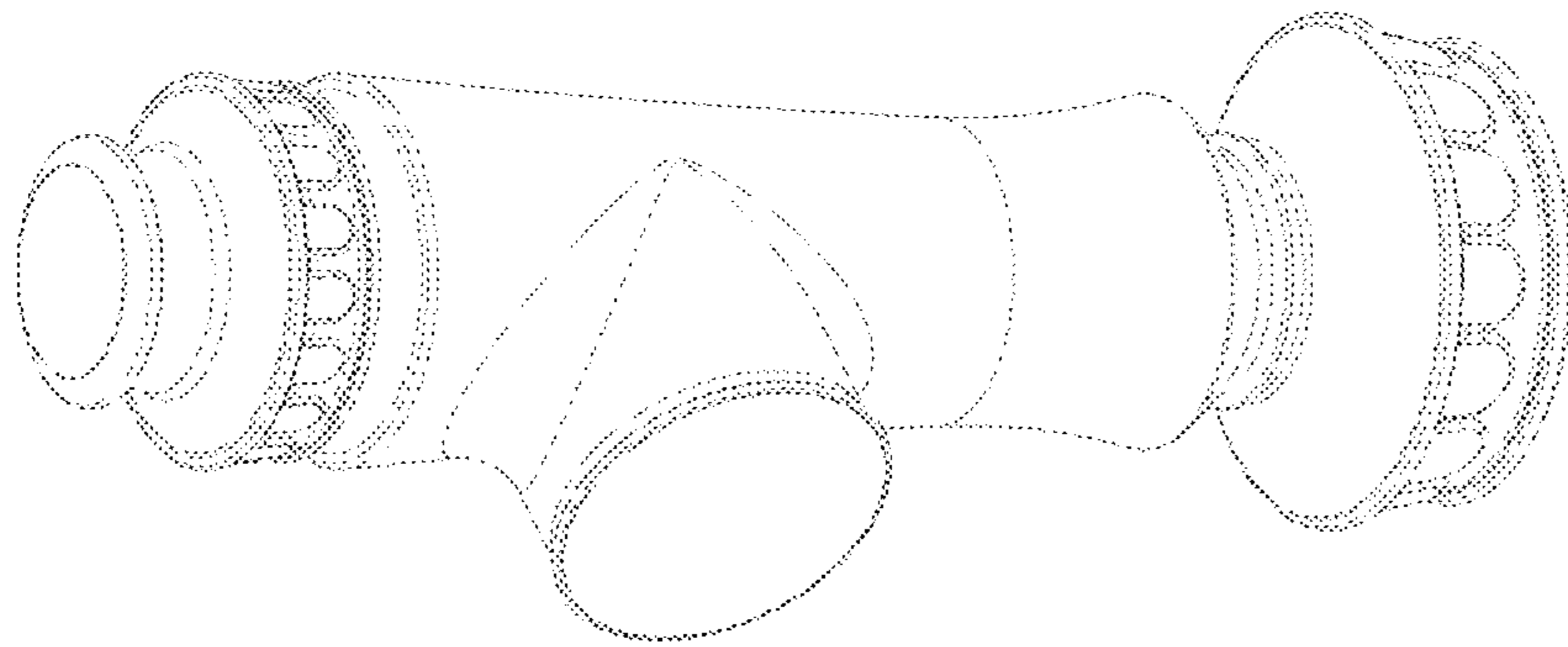


FIG. 913

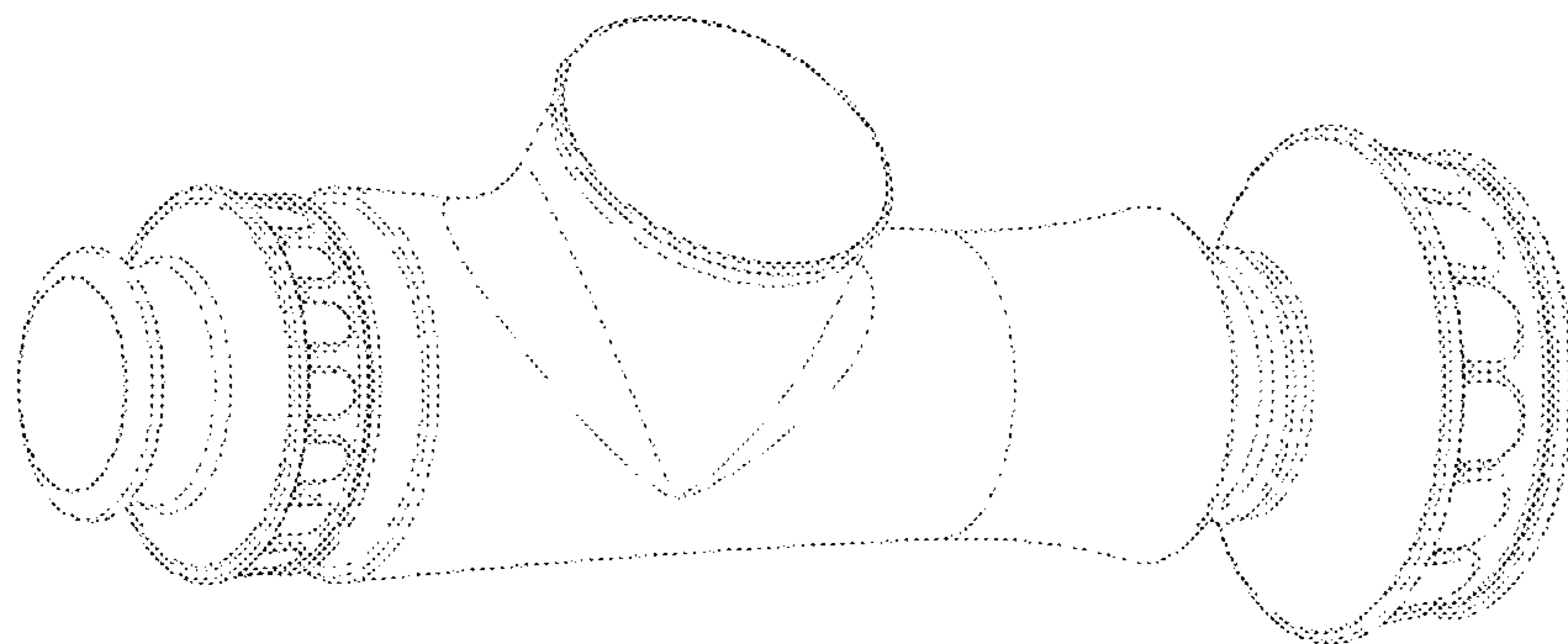


FIG. 914

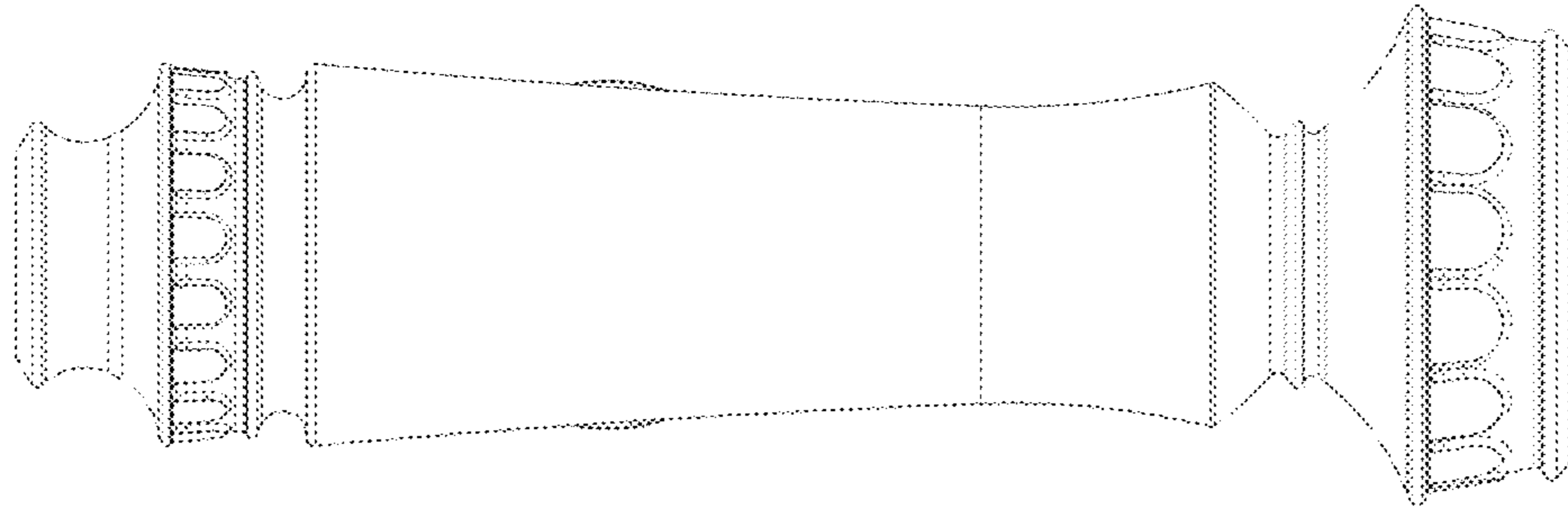


FIG. 4

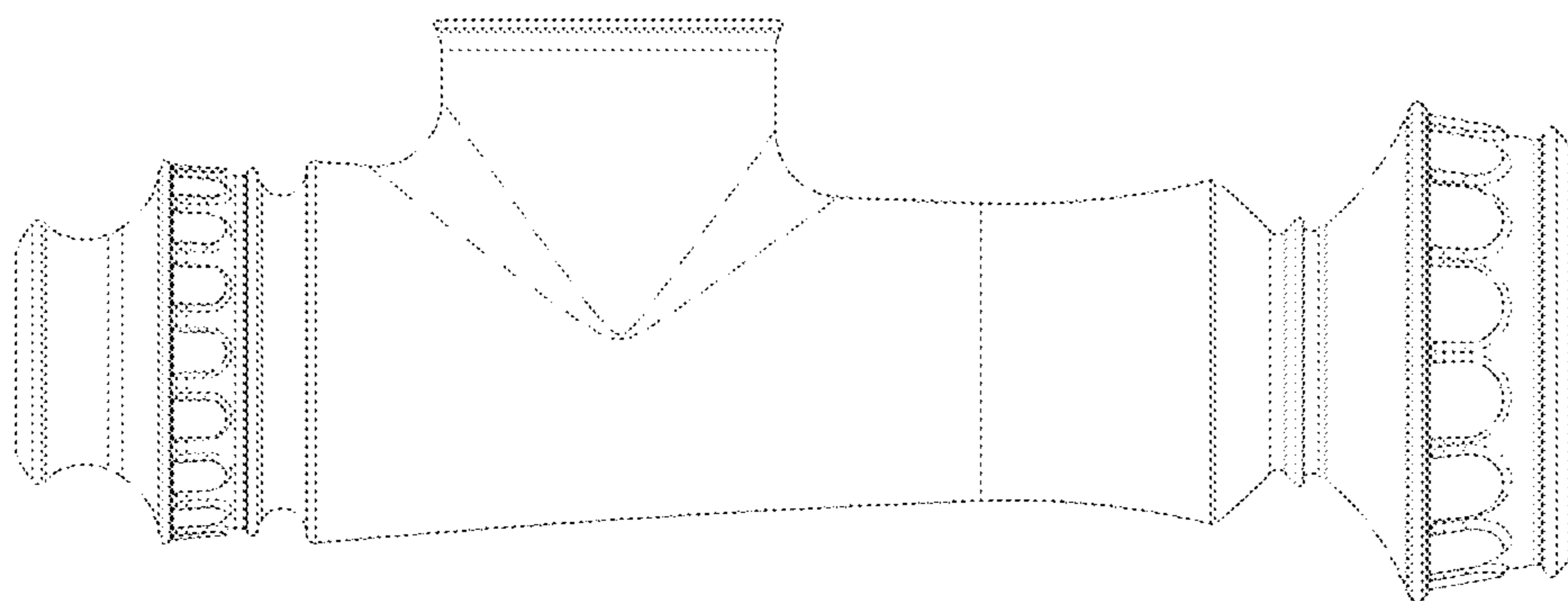


FIG. 3

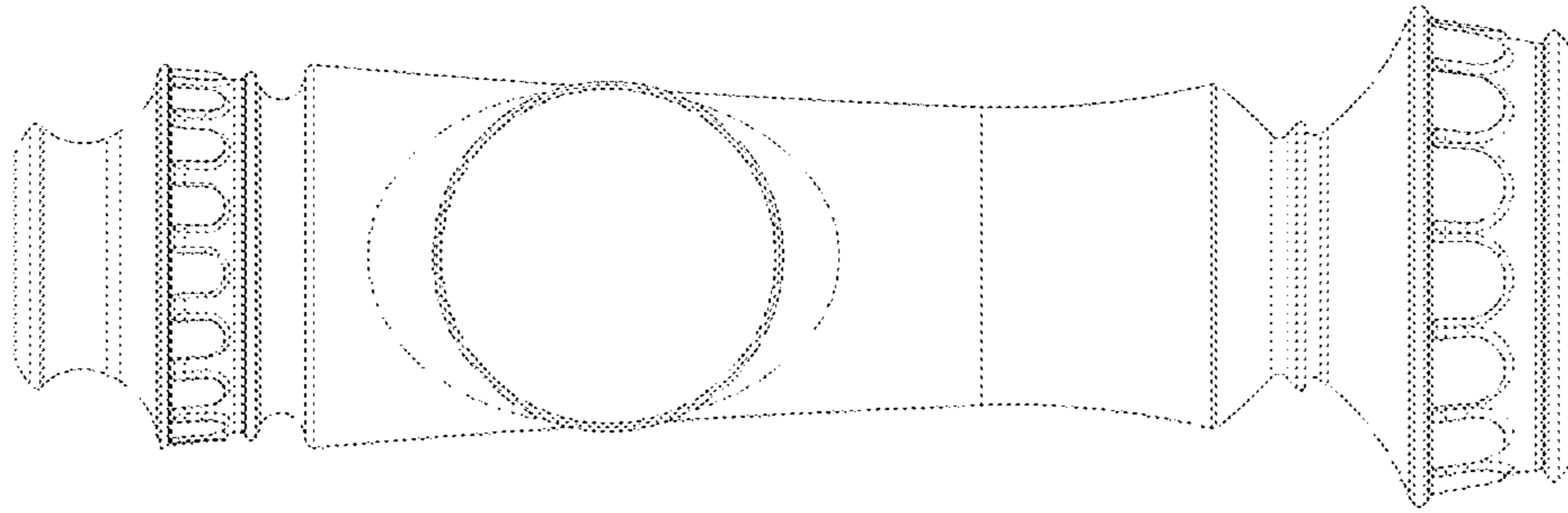


FIG. 6

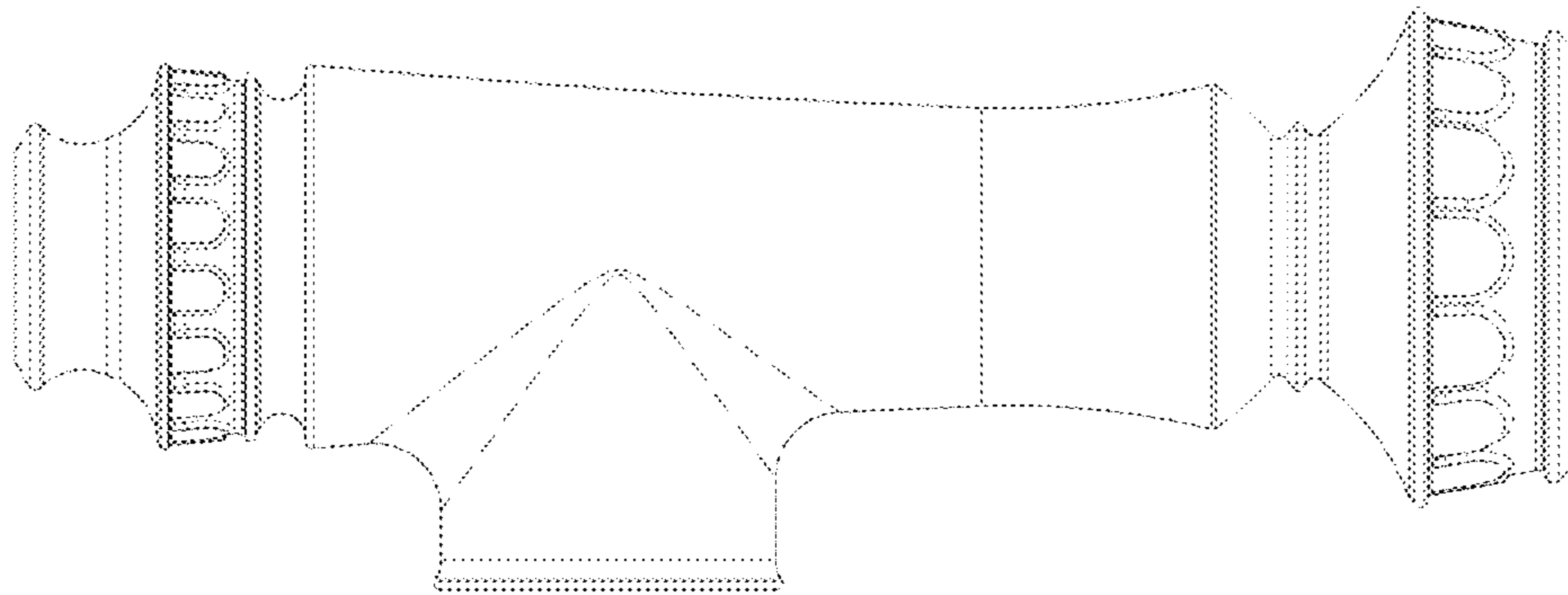


FIG. 5

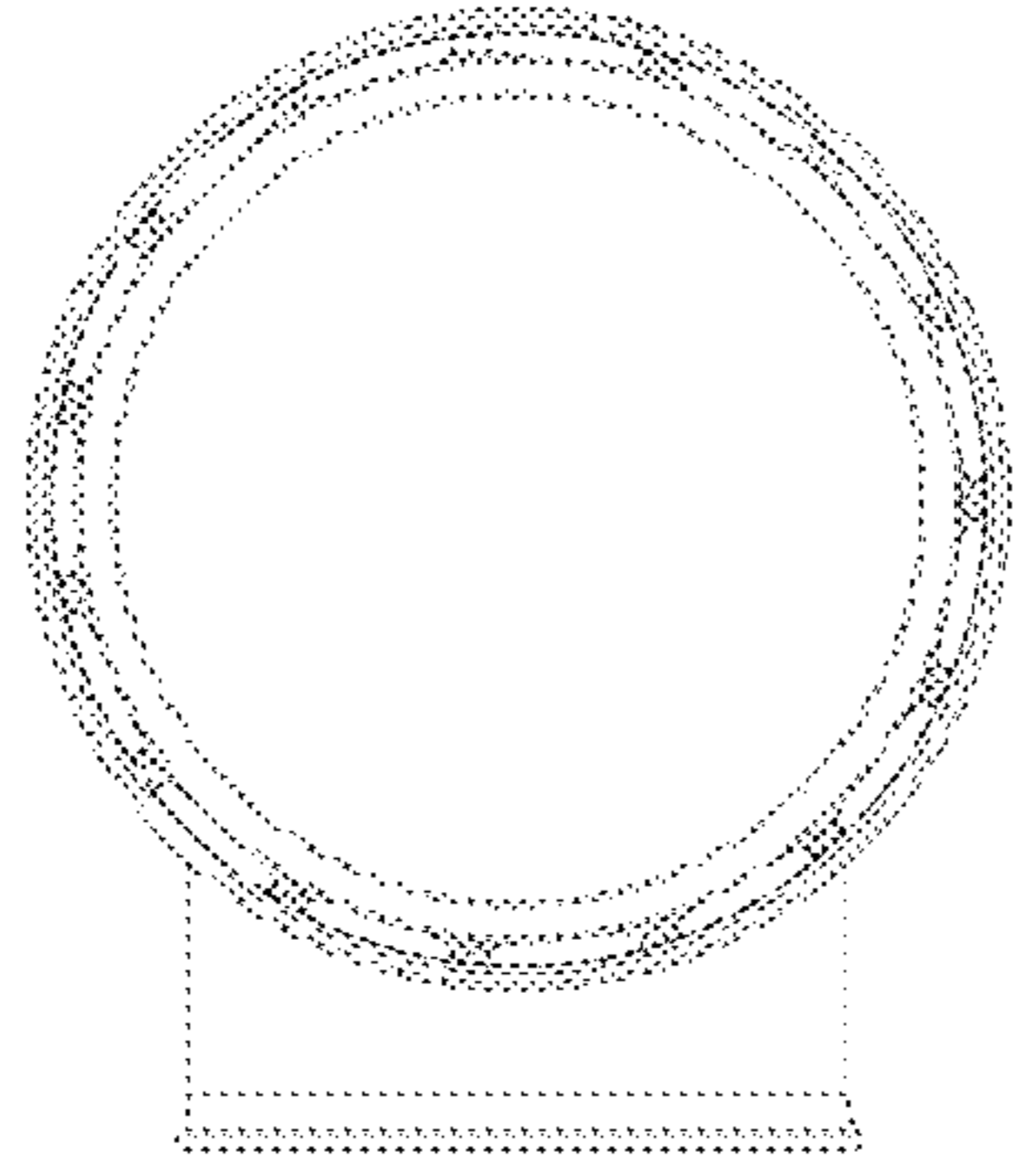


FIG. 3

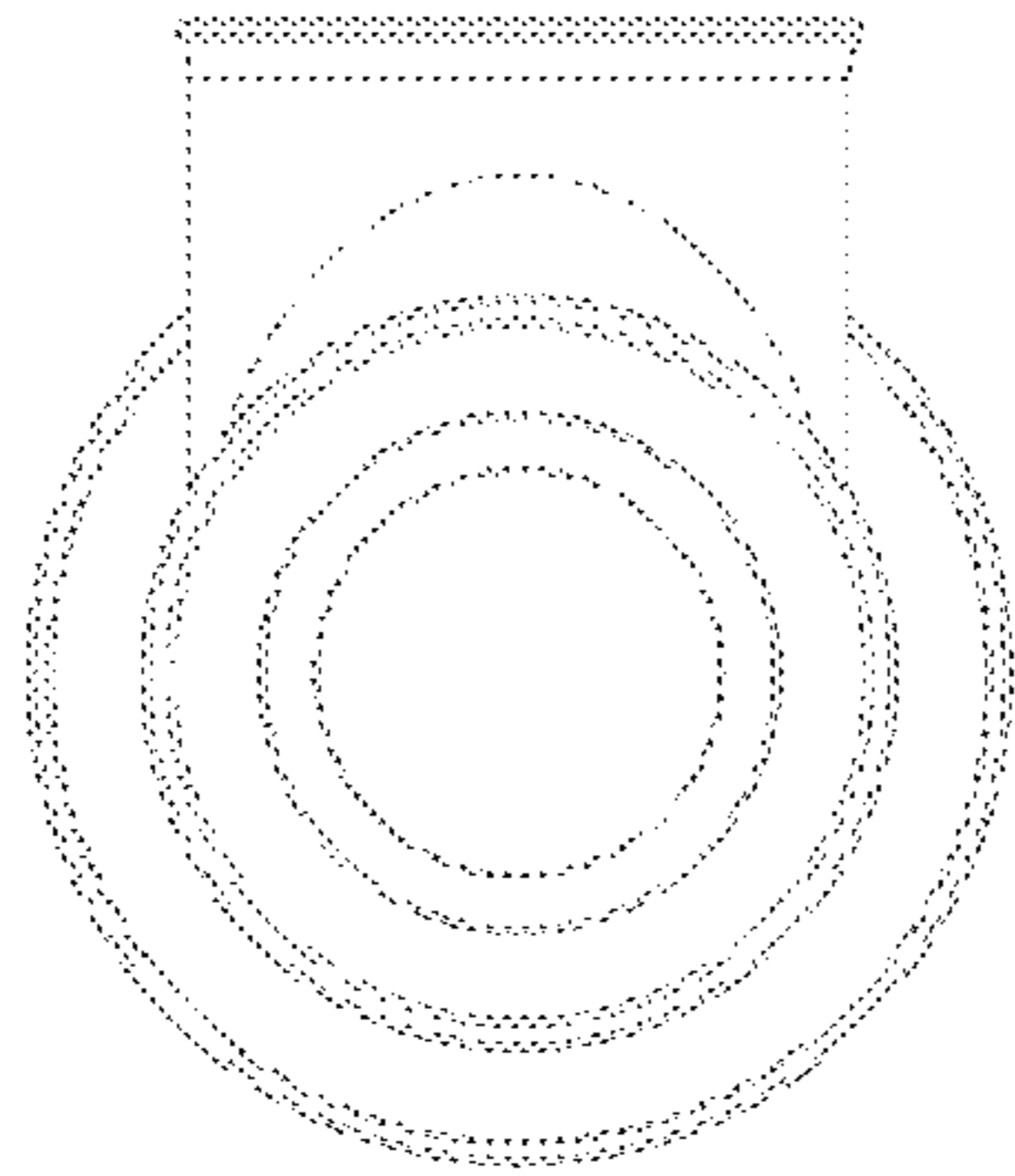


FIG. 4