

US00D937977S

(12) **United States Design Patent**
Lazarini

(10) **Patent No.:** **US D937,977 S**
(45) **Date of Patent:** **** Dec. 7, 2021**

- (54) **FAUCET BODY**
- (71) Applicant: **DELTA FAUCET COMPANY,**
Indianapolis, IN (US)
- (72) Inventor: **Alejandra Lazarini,** Carmel, IN (US)
- (73) Assignee: **DELTA FAUCET COMPANY,**
Indianapolis, IN (US)
- (**) Term: **15 Years**
- (21) Appl. No.: **29/719,188**
- (22) Filed: **Jan. 1, 2020**
- (51) **LOC (13) Cl.** **23-01**
- (52) **U.S. Cl.**
USPC **D23/238**
- (58) **Field of Classification Search**
USPC D23/238-243, 249, 255, 257
CPC E03C 1/0401; E03C 1/0402; E03C 1/0405;
E03C 1/0412
See application file for complete search history.

D921,842 S *	6/2021	Fritz	D23/238
D922,530 S *	6/2021	Lazarini	D23/238
D922,531 S *	6/2021	Staler	D23/238
D923,148 S *	6/2021	Lazarini	D23/238

OTHER PUBLICATIONS

Kohler Bellera Pull Down Kitchen Faucet, first available May 21, 2011[online], [site visited Jul. 27, 2021]. Available from internet, URL:<<https://www.amazon.com/dp/B0053XPRIE?tag=merchdope1-20>> (Year: 2011).*

* cited by examiner

Primary Examiner — Barbara Fox

Assistant Examiner — Jamaal Rasheed

(74) *Attorney, Agent, or Firm* — Nirav D. Parikh; Edgar A. Zarins

(57) **CLAIM**

The ornamental design for a faucet body, as shown and described.

DESCRIPTION

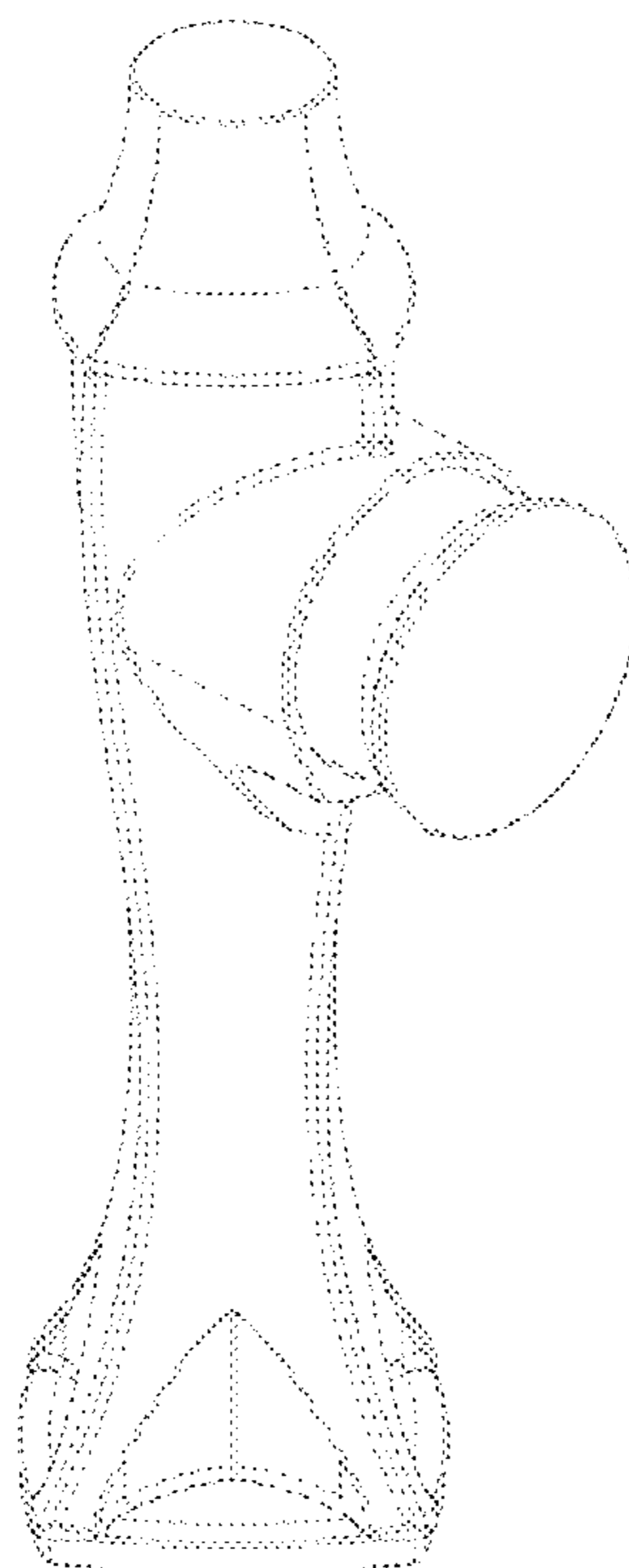
FIG. 1 is a front perspective view of a faucet body showing my new design;
FIG. 2 is a rear perspective view thereof;
FIG. 3 is a front elevational view thereof;
FIG. 4 is a left side view thereof;
FIG. 5 is a rear view thereof;
FIG. 6 is a right side view thereof;
FIG. 7 is a top plan view thereof; and,
FIG. 8 is a bottom view thereof.

1 Claim, 4 Drawing Sheets

(56) **References Cited**

U.S. PATENT DOCUMENTS

D76,827 S *	11/1928	Smith	D23/252
D163,236 S *	5/1951	Young	D23/249
D429,521 S *	8/2000	Doughty	D23/250
D452,101 S *	12/2001	Yeh	D6/550
D478,754 S *	8/2003	Moore	D6/524
D494,396 S *	8/2004	Veltz	D6/524
D516,354 S *	3/2006	Sedwick	D6/550
D868,939 S *	12/2019	Bahler	D23/238
D875,217 S *	2/2020	Bahler	D23/238
D875,218 S *	2/2020	Chen	D23/255



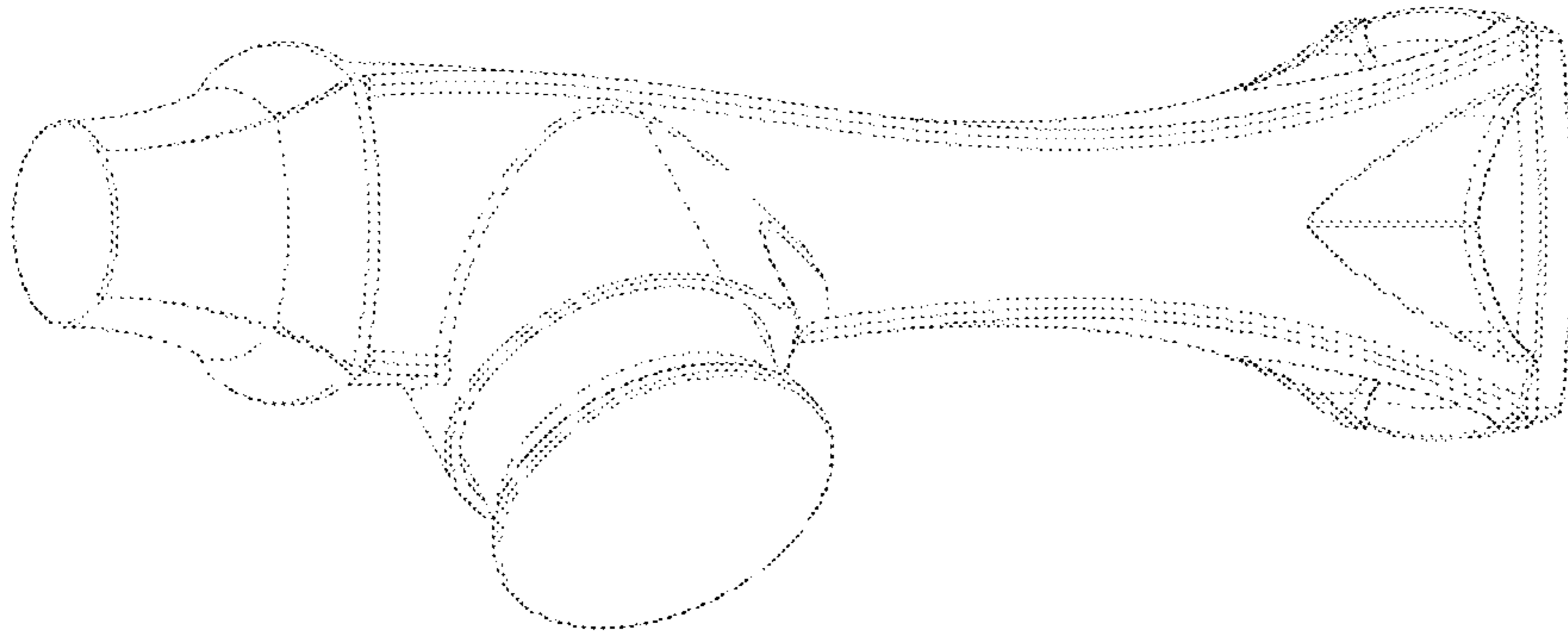


FIG. 2

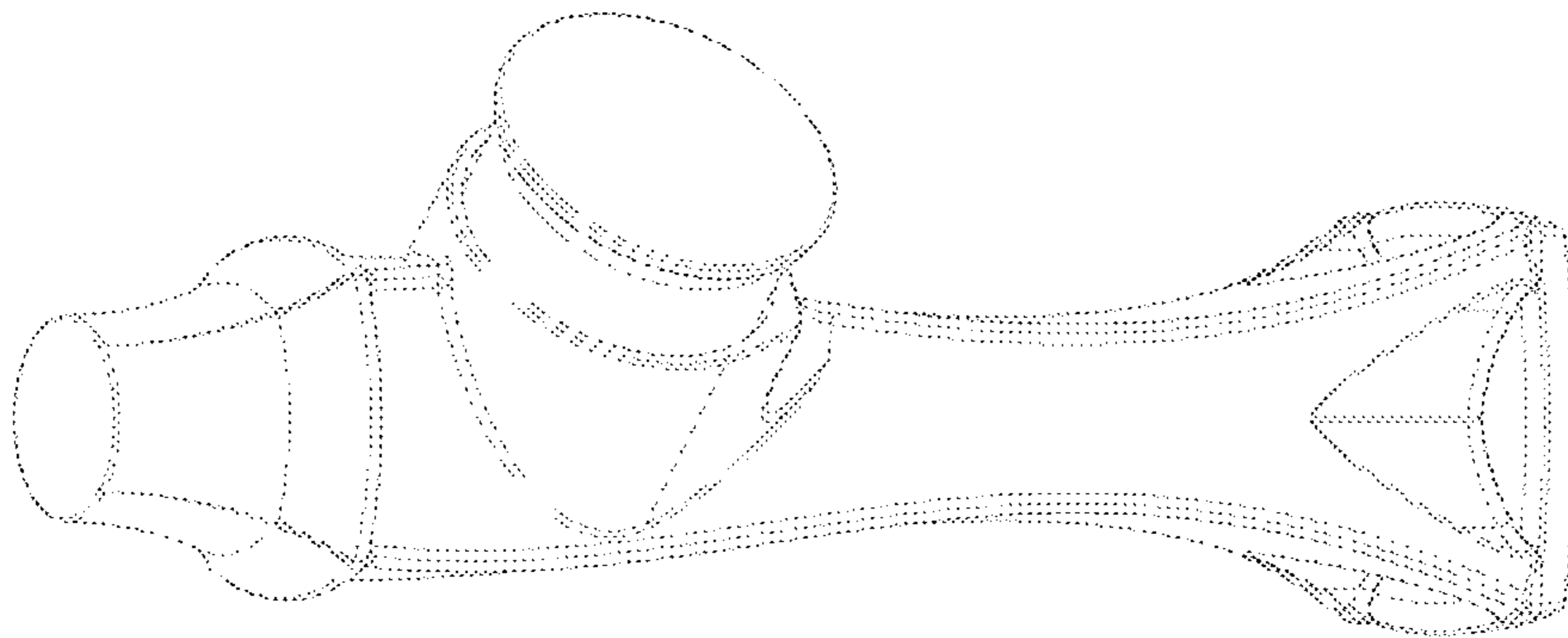


FIG. 1

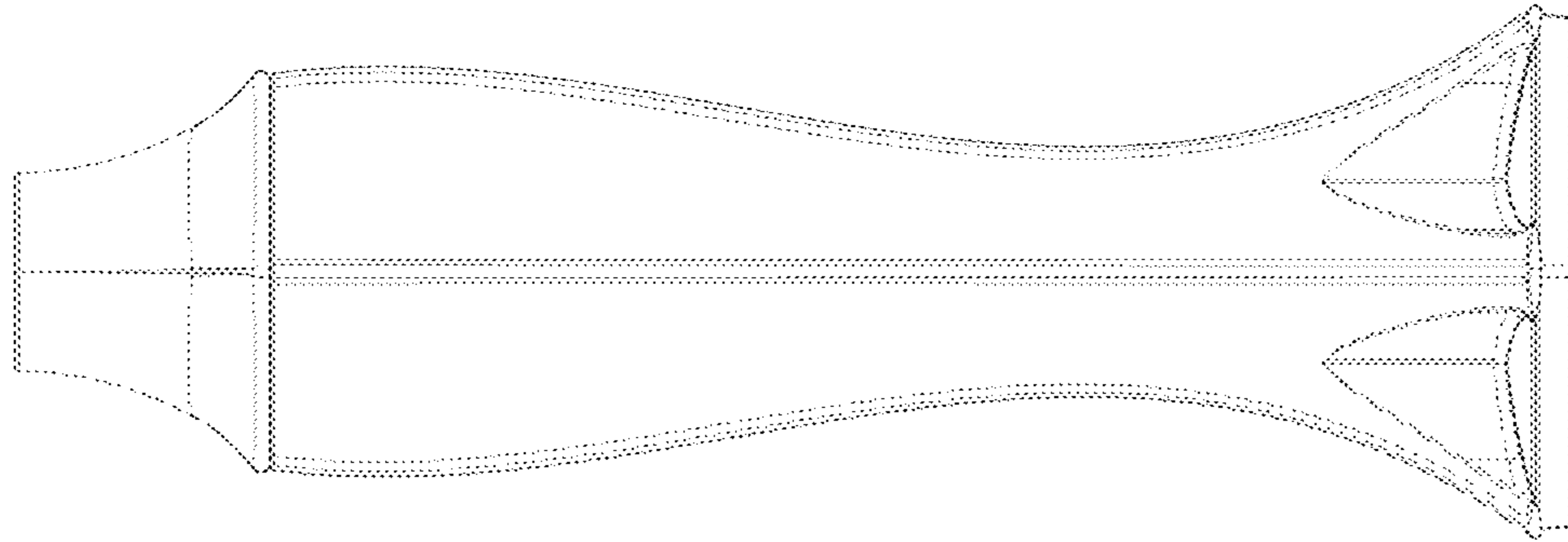


FIG. 4

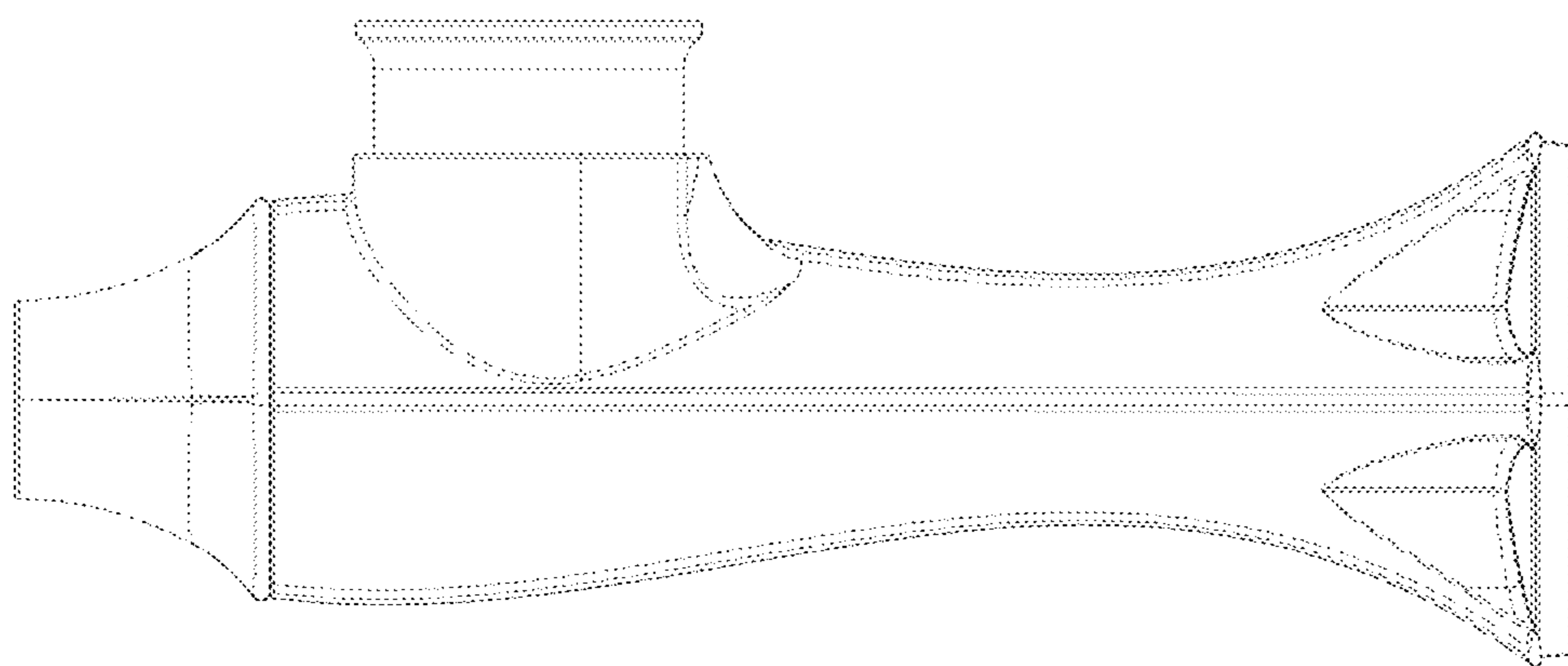


FIG. 3

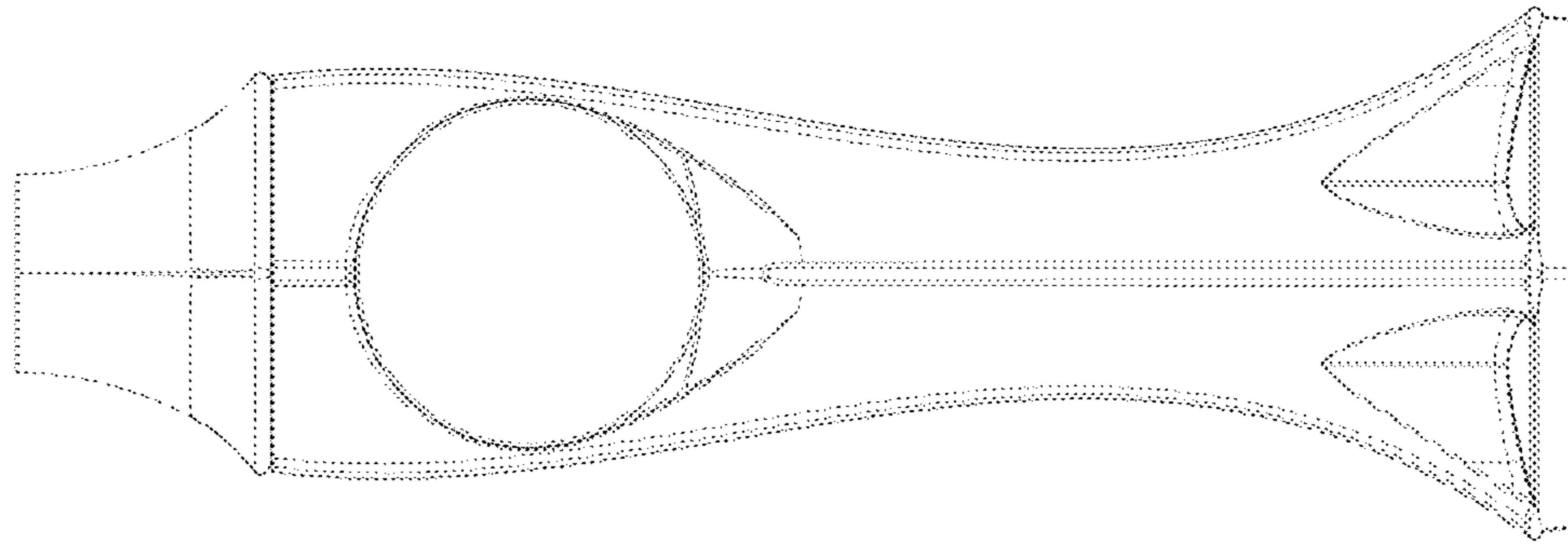


FIG. 6

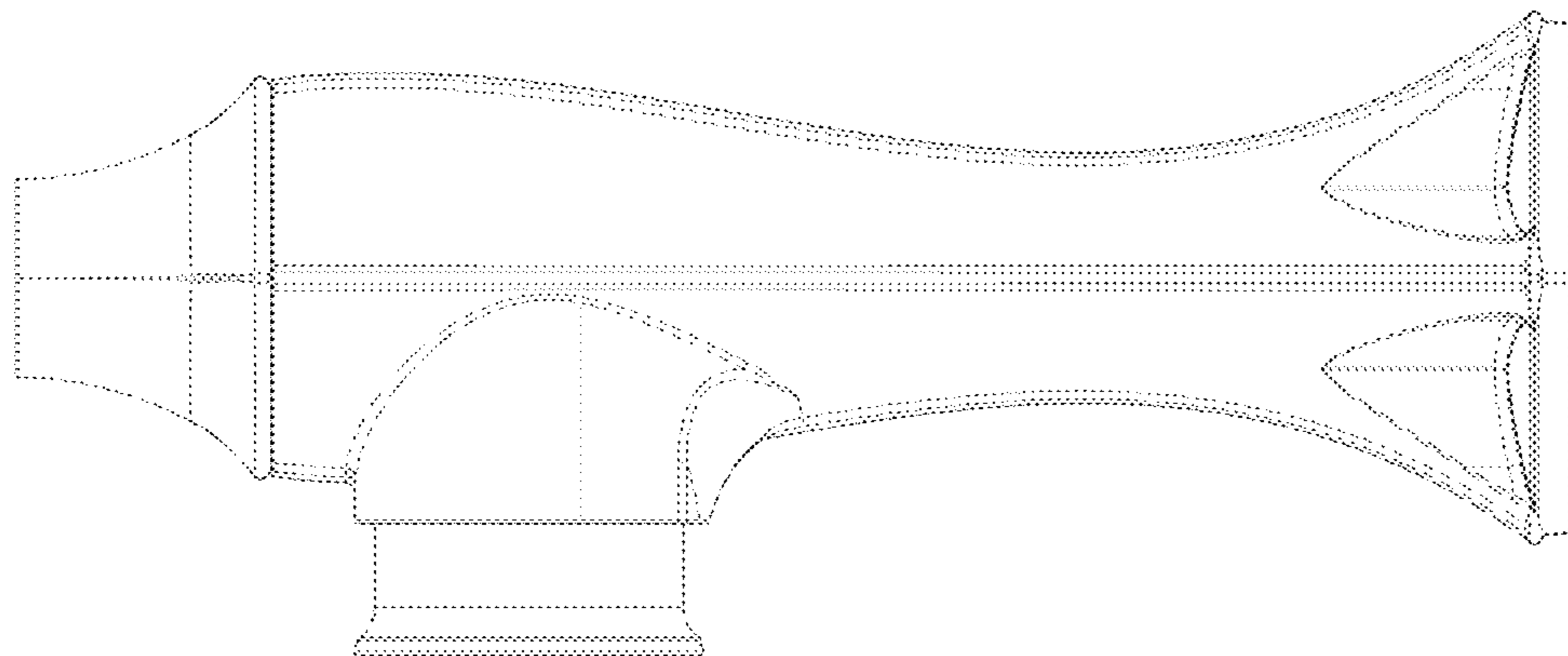


FIG. 7

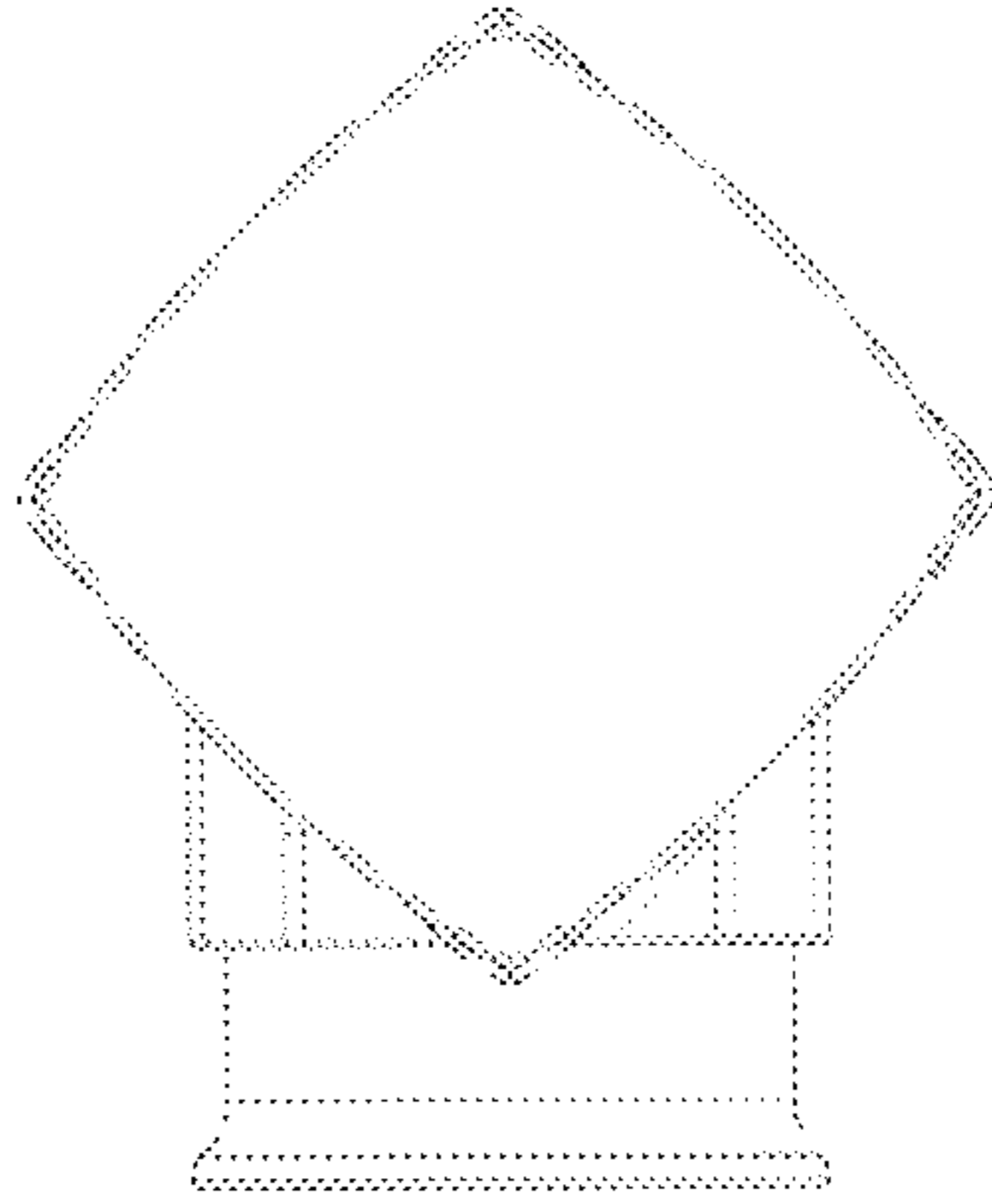


FIG. 8

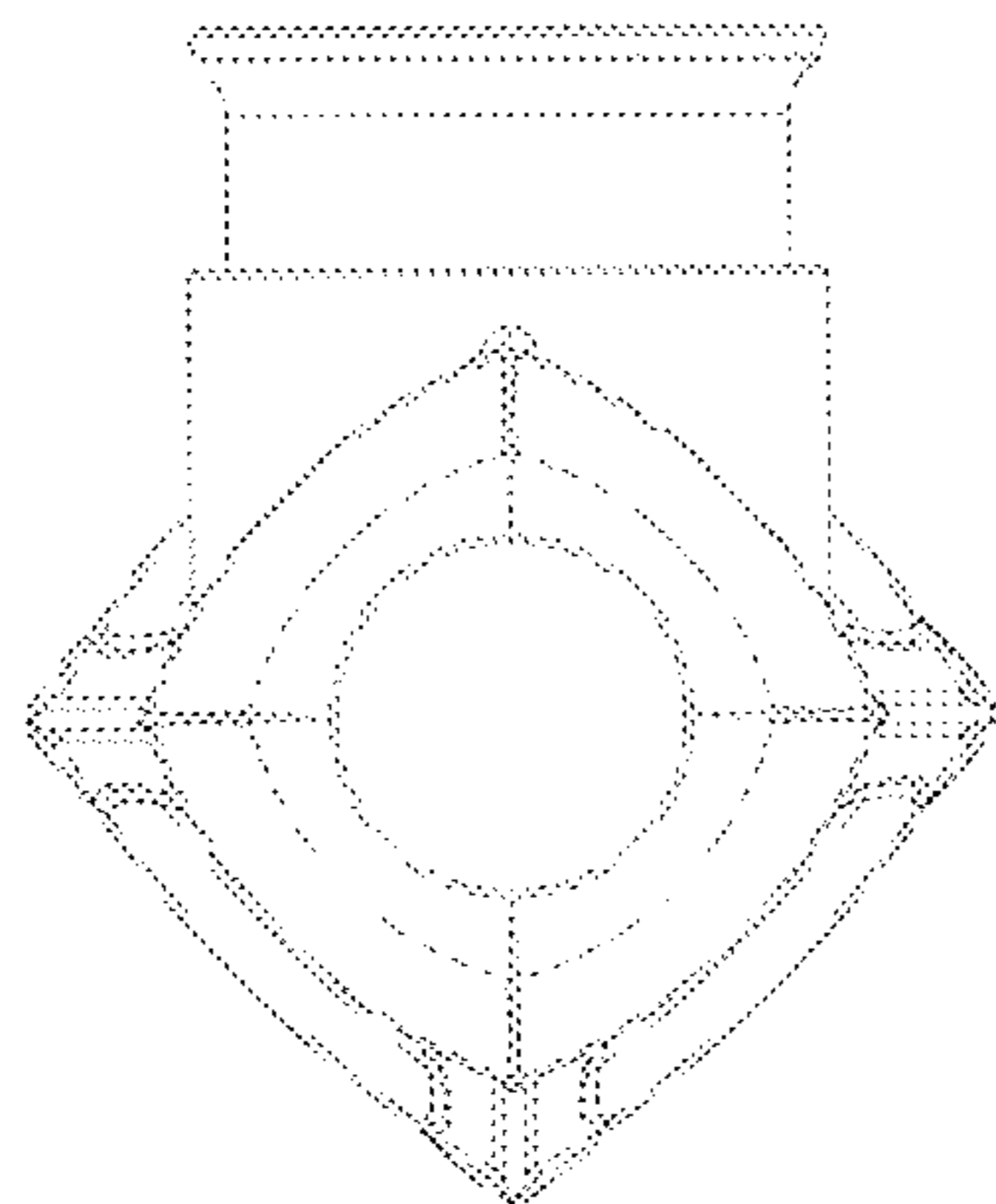


FIG. 9