



US00D937976S

(12) **United States Design Patent**
Roubicek et al.

(10) **Patent No.:** **US D937,976 S**

(45) **Date of Patent:** **** Dec. 7, 2021**

(54) **REGULATOR**

(71) Applicant: **GCE Holding AB**, Malmö (SE)

(72) Inventors: **Martin Roubicek**, Brandysek (CZ);
Michal Dolínek, Chotěboř (CZ)

(73) Assignee: **GCE HOLDING AB**, Malmö (SE)

(**) Term: **15 Years**

(21) Appl. No.: **29/728,531**

(22) Filed: **Mar. 19, 2020**

(30) **Foreign Application Priority Data**

Sep. 24, 2019 (EP) 006915112

(51) **LOC (13) Cl.** **23-01**

(52) **U.S. Cl.**
USPC **D23/235**

(58) **Field of Classification Search**
USPC D23/233, 235, 241, 245, 246, 249;
D10/85
CPC F16K 27/00; F16K 17/02; F16K 47/08;
F16K 17/00; F16K 31/12
See application file for complete search history.

(56) **References Cited**

U.S. PATENT DOCUMENTS

D607,355 S * 1/2010 Horner D10/85
D674,469 S * 1/2013 Boyer D23/235

D698,010 S * 1/2014 Boyer D23/235
D811,252 S * 2/2018 Boyer D10/85
D811,253 S * 2/2018 Boyer D10/85
D909,539 S * 2/2021 Zhou D23/235

* cited by examiner

Primary Examiner — Gino Colan

(74) *Attorney, Agent, or Firm* — Edell, Shapiro & Finnan,
LLC

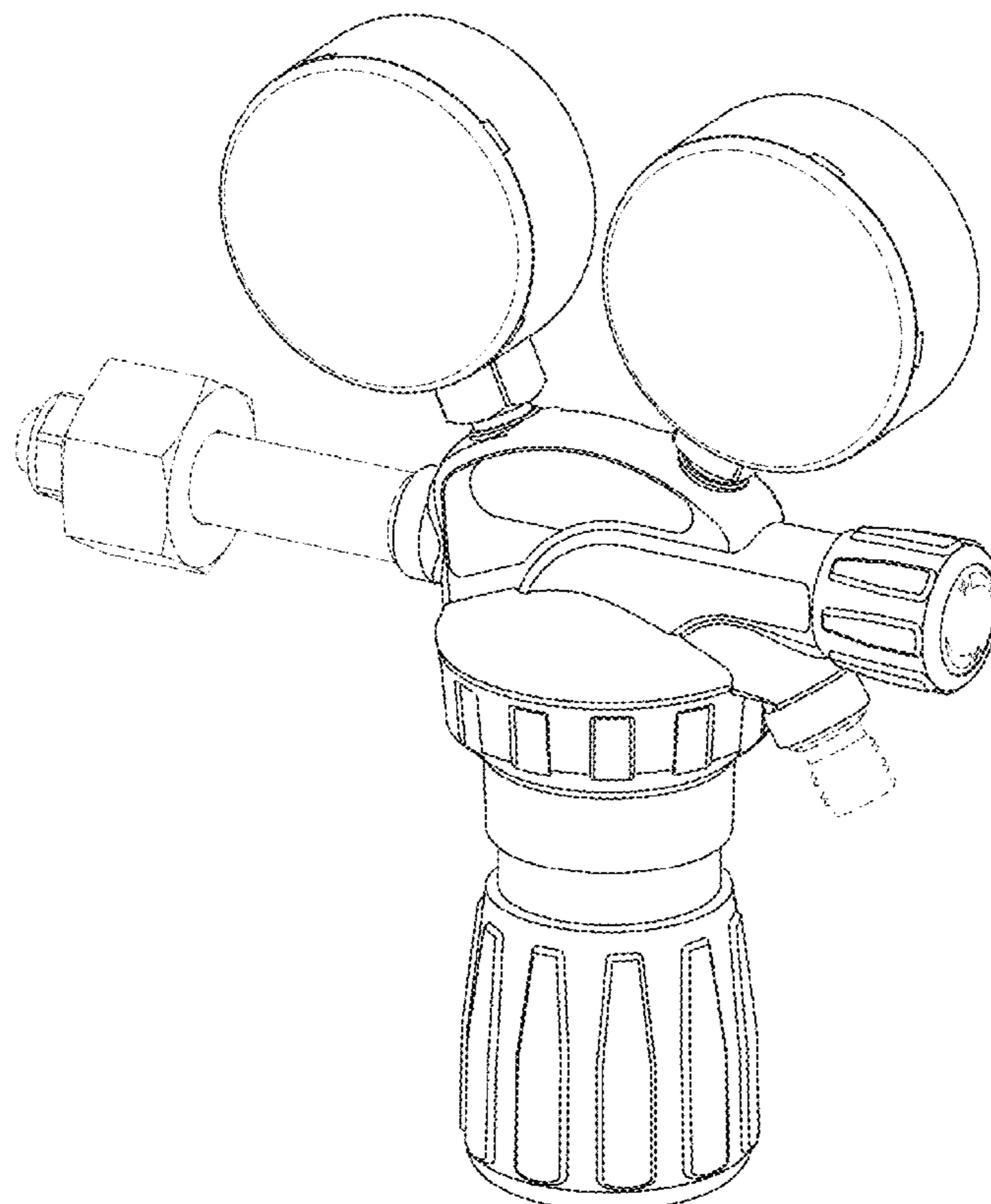
(57) **CLAIM**

The ornamental design for a regulator, as shown and described.

DESCRIPTION

FIG. 1 is an isometric perspective front view of a regulator according to the present invention;
FIG. 2 is a front view of the regulator of FIG. 1;
FIG. 3 is a bottom view of the regulator of FIG. 1;
FIG. 4 is a back view of the regulator of FIG. 1;
FIG. 5 is a right side view of the regulator of FIG. 1;
FIG. 6 is a left side view of the regulator of FIG. 1; and,
FIG. 7 is a top view of the regulator of FIG. 1.
The broken lines shown in the figures are for the purpose of illustrating portions of the regulator and form no part of the claimed design.

1 Claim, 7 Drawing Sheets



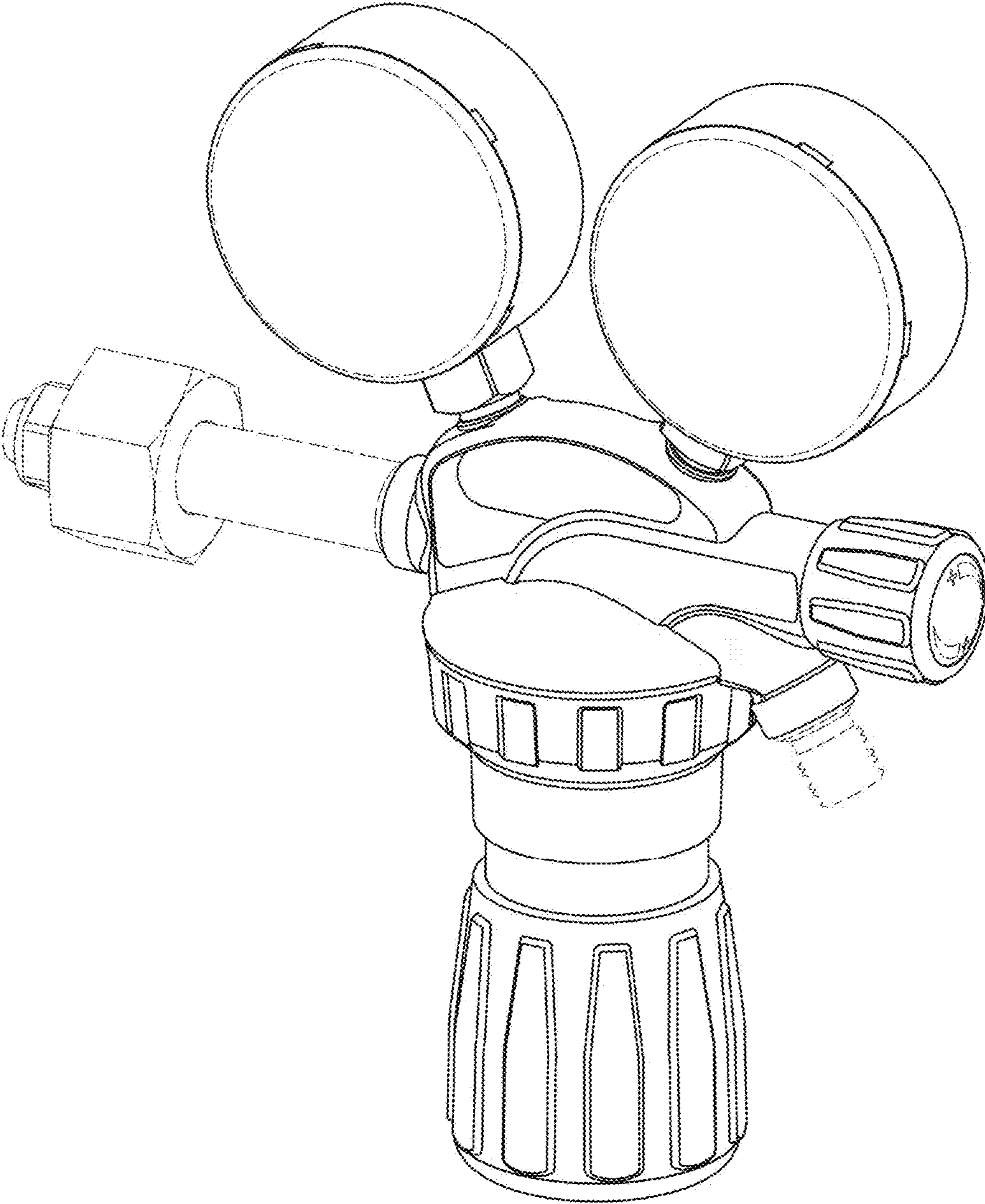


FIG.1

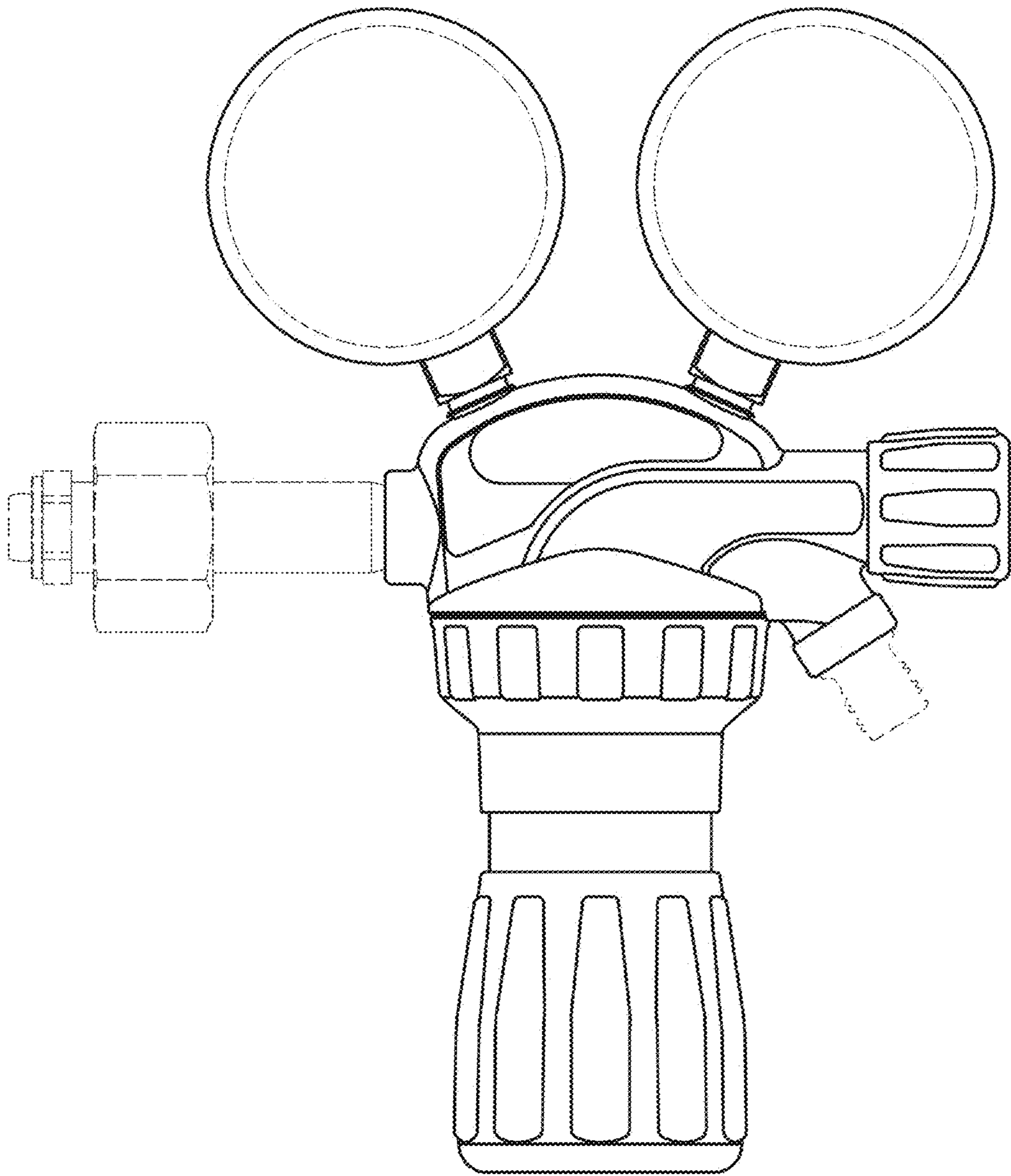


FIG.2

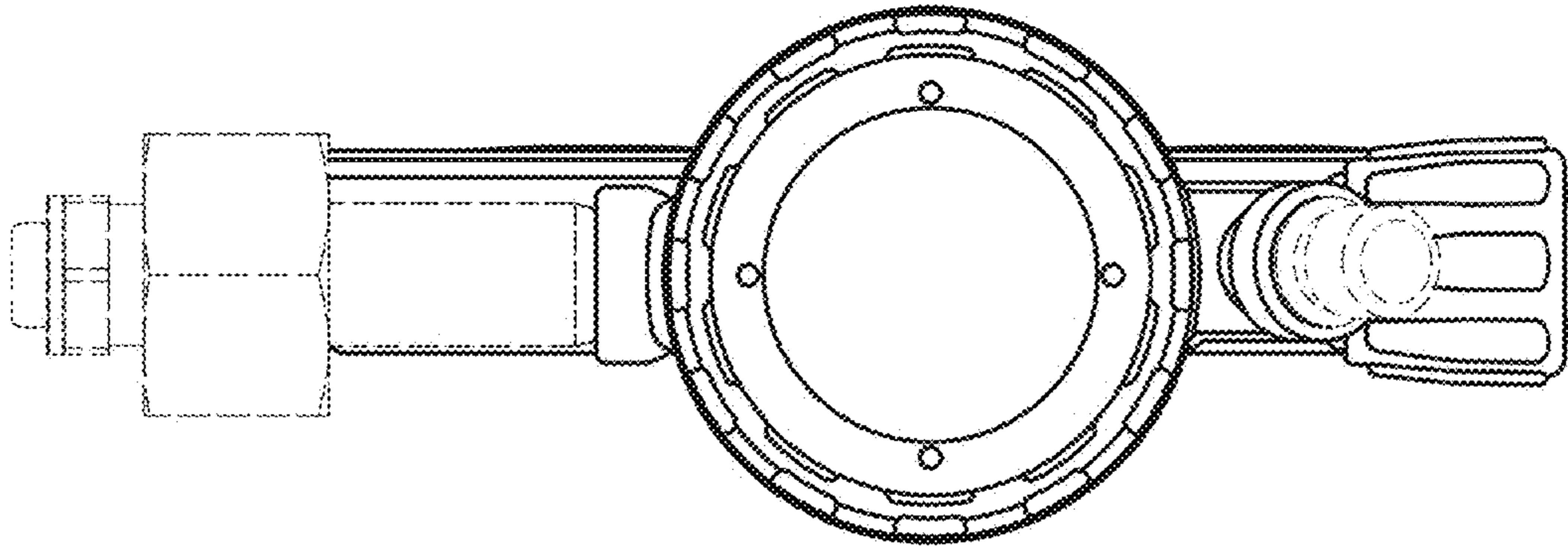


FIG.3

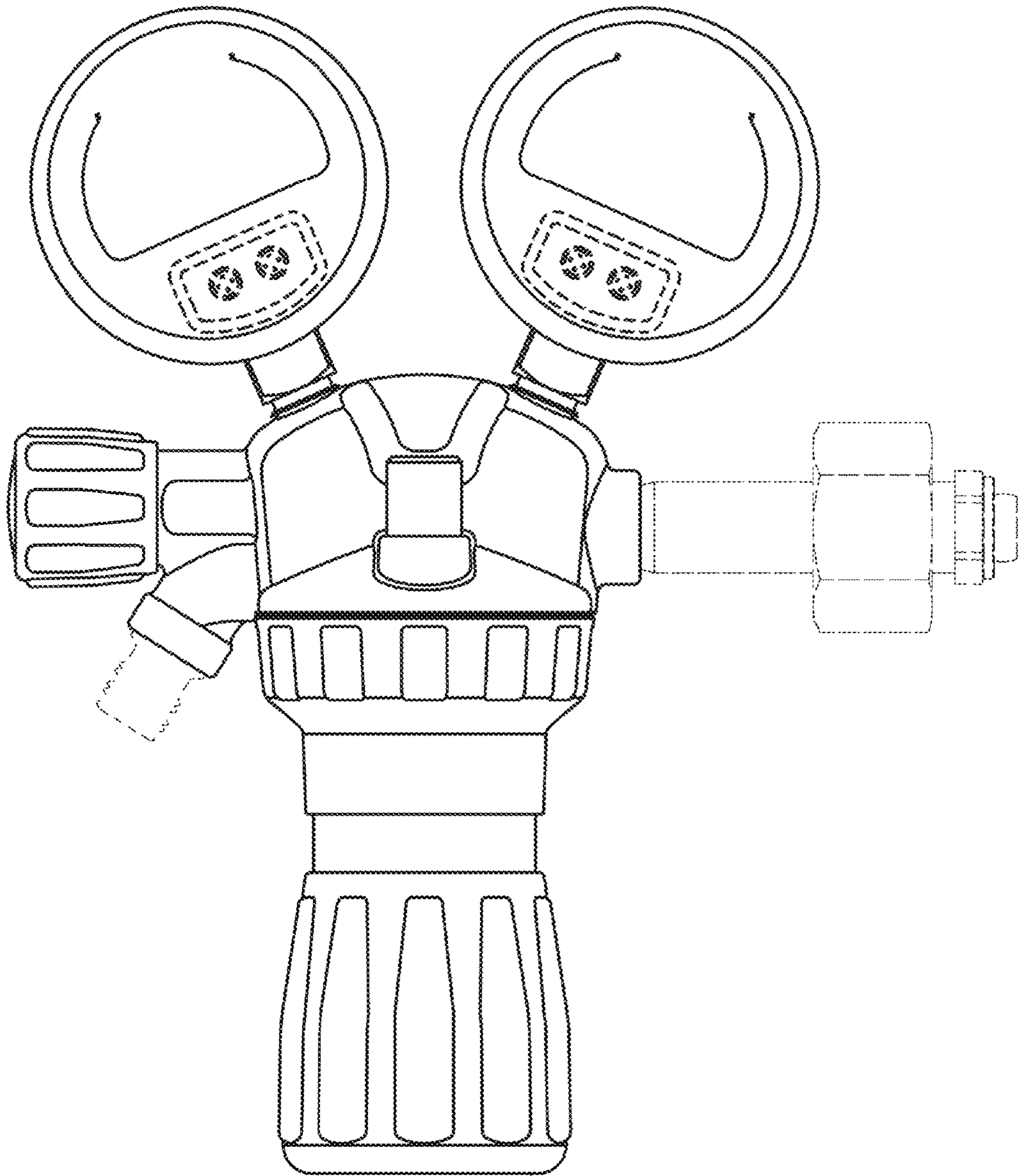


FIG.4

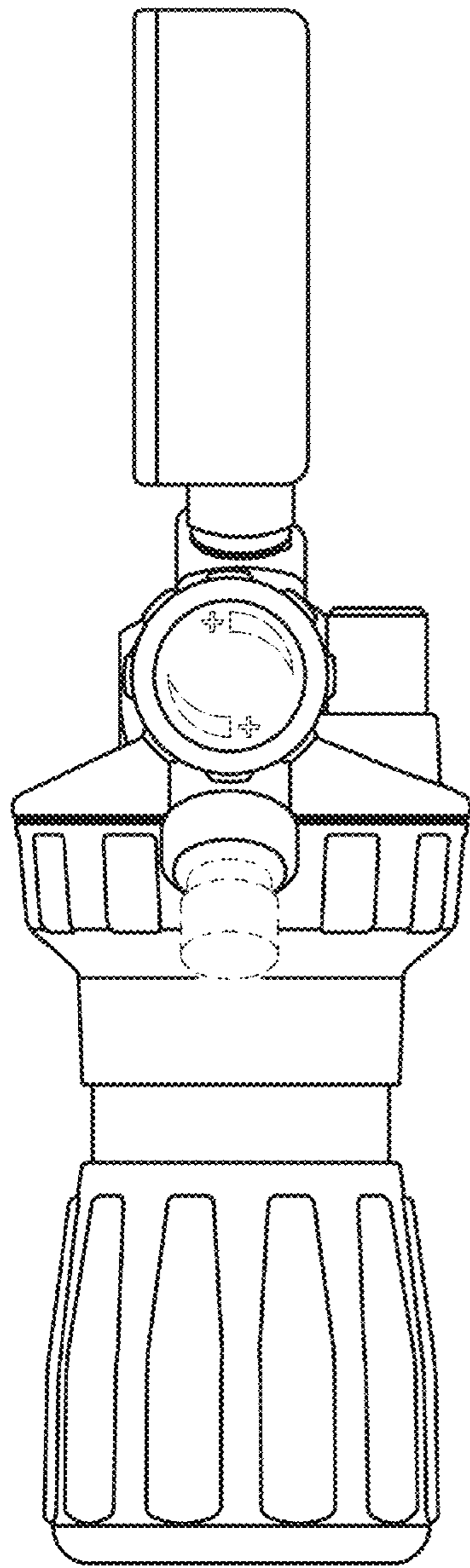


FIG.5

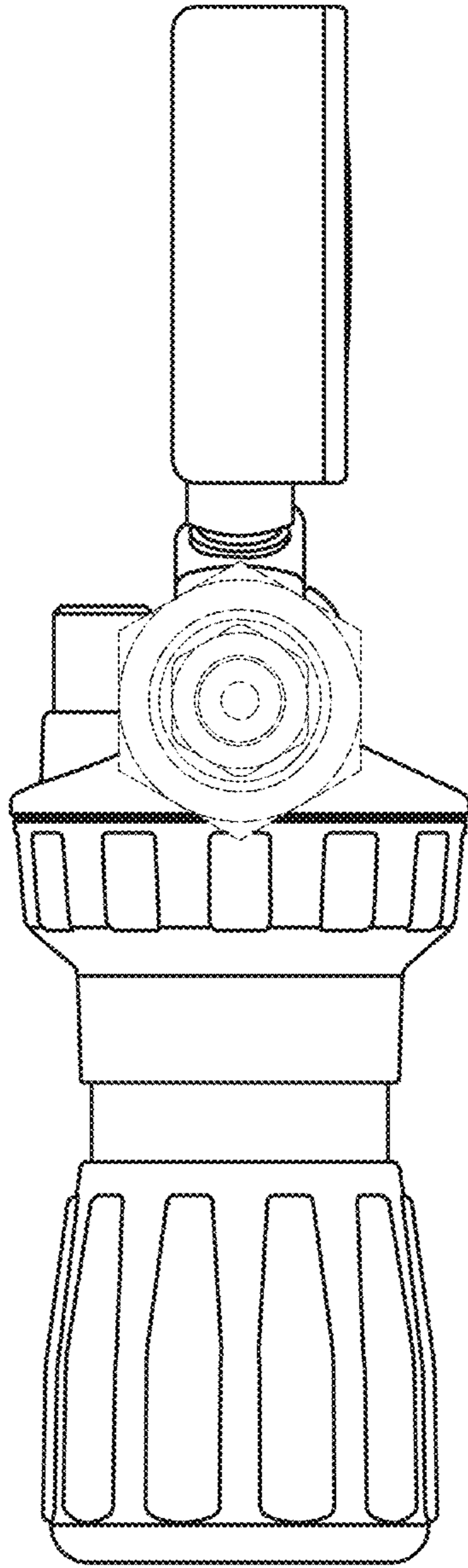


FIG.6

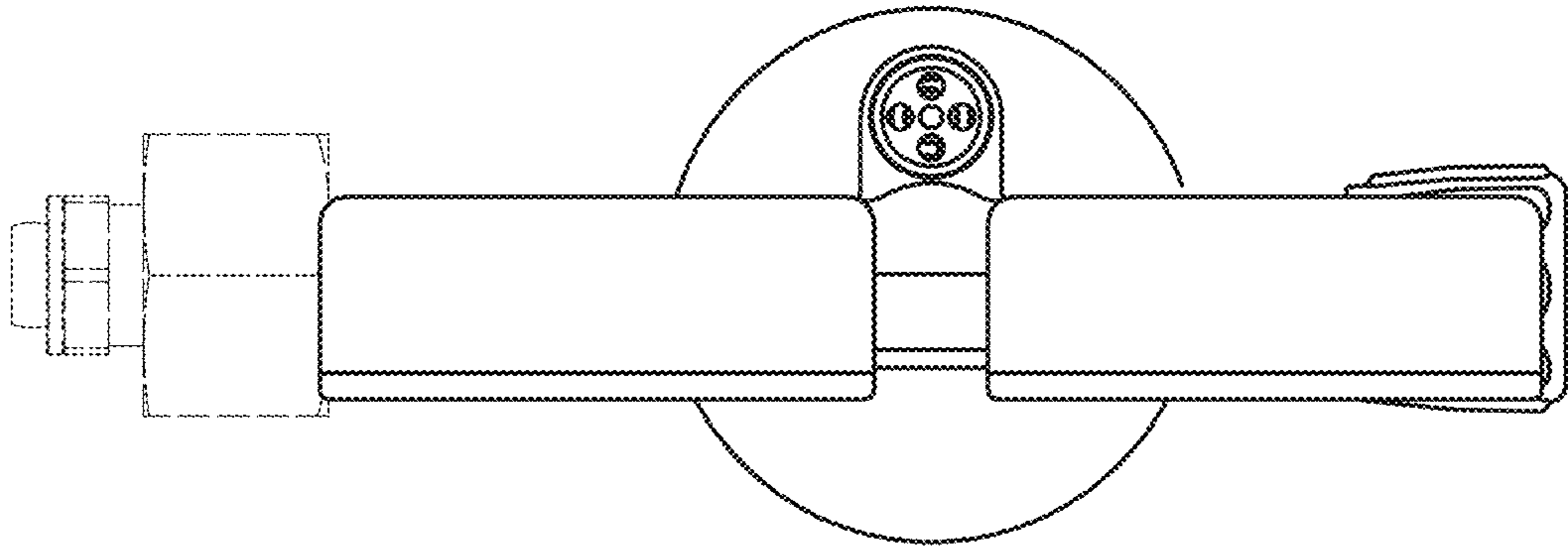


FIG.7