



US00D937974S

(12) **United States Design Patent** (10) **Patent No.:** **US D937,974 S**  
**Roubicek et al.** (45) **Date of Patent:** **\*\* Dec. 7, 2021**

(54) **REGULATOR**

(71) Applicant: **GCE Holding AB**, Malmö (SE)

(72) Inventors: **Martin Roubicek**, Brandysek (CZ);  
**Michal Dolínek**, Chotěboř (CZ)

(73) Assignee: **GCE HOLDING AB**, Malmö (SE)

(\*\*) Term: **15 Years**

(21) Appl. No.: **29/728,529**

(22) Filed: **Mar. 19, 2020**

(30) **Foreign Application Priority Data**

Sep. 24, 2019 (EP) ..... 006915112

(51) **LOC (13) Cl.** ..... **23-01**

(52) **U.S. Cl.**  
USPC ..... **D23/235**

(58) **Field of Classification Search**  
USPC ..... D23/233, 235, 241, 245, 246, 249;  
D10/85

CPC ..... F16K 27/00; F16K 17/02; F16K 47/08;  
F16K 17/00; F16K 31/12; F17C 13/04  
See application file for complete search history.

(56) **References Cited**

**U.S. PATENT DOCUMENTS**

D607,355 S \* 1/2010 Horner ..... D10/85  
D674,469 S \* 1/2013 Boyer ..... D23/235

D698,010 S \* 1/2014 Boyer ..... D23/235  
D811,252 S \* 2/2018 Boyer ..... D10/85  
D811,253 S \* 2/2018 Boyer ..... D10/85  
D909,539 S \* 2/2021 Zhou ..... D23/235

\* cited by examiner

*Primary Examiner* — Gino Colan

(74) *Attorney, Agent, or Firm* — Edell, Shapiro & Finnan, LLC

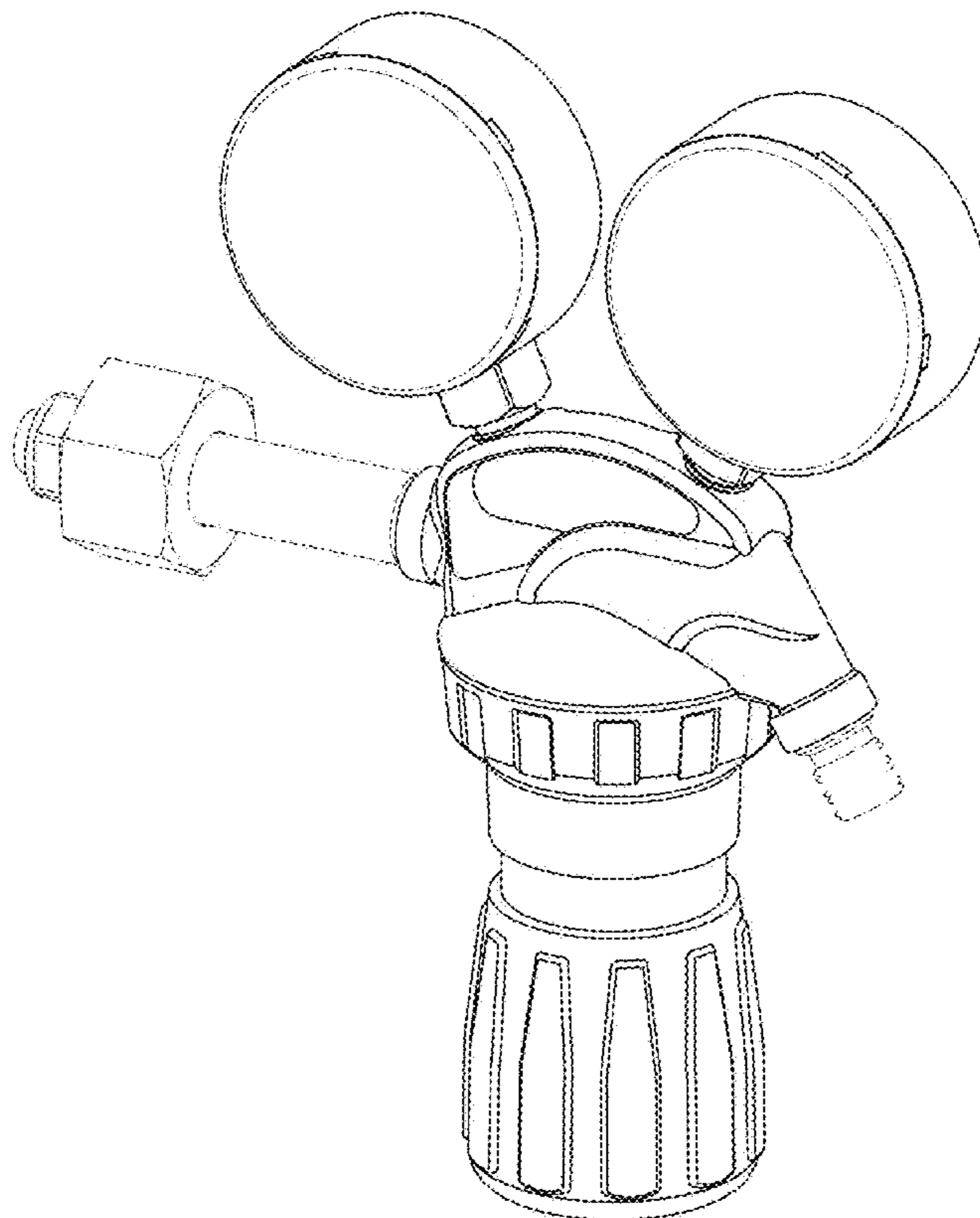
(57) **CLAIM**

The ornamental design for a regulator, as shown and described.

**DESCRIPTION**

FIG. 1 is an isometric perspective front view of a regulator according to the present invention;  
FIG. 2 is a front view of the regulator of FIG. 1;  
FIG. 3 is a bottom view of the regulator of FIG. 1;  
FIG. 4 is a back view of the regulator of FIG. 1;  
FIG. 5 is a right side view of the regulator of FIG. 1;  
FIG. 6 is a left side view of the regulator of FIG. 1; and,  
FIG. 7 is a top view of the regulator of FIG. 1.  
The broken lines shown in the figures are for the purpose of illustrating-portions of the regulator and form no part of the claimed design.

**1 Claim, 7 Drawing Sheets**



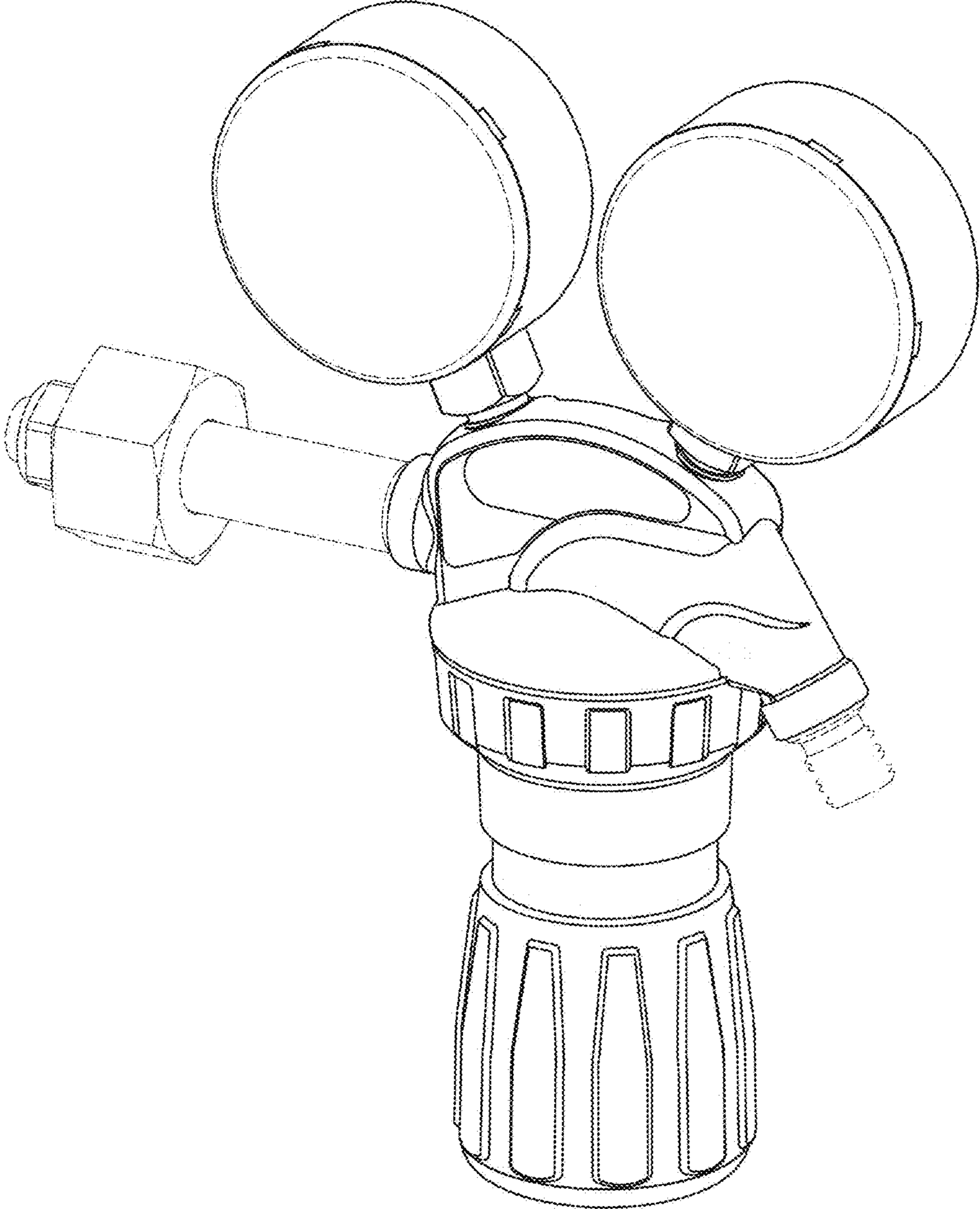


FIG.1

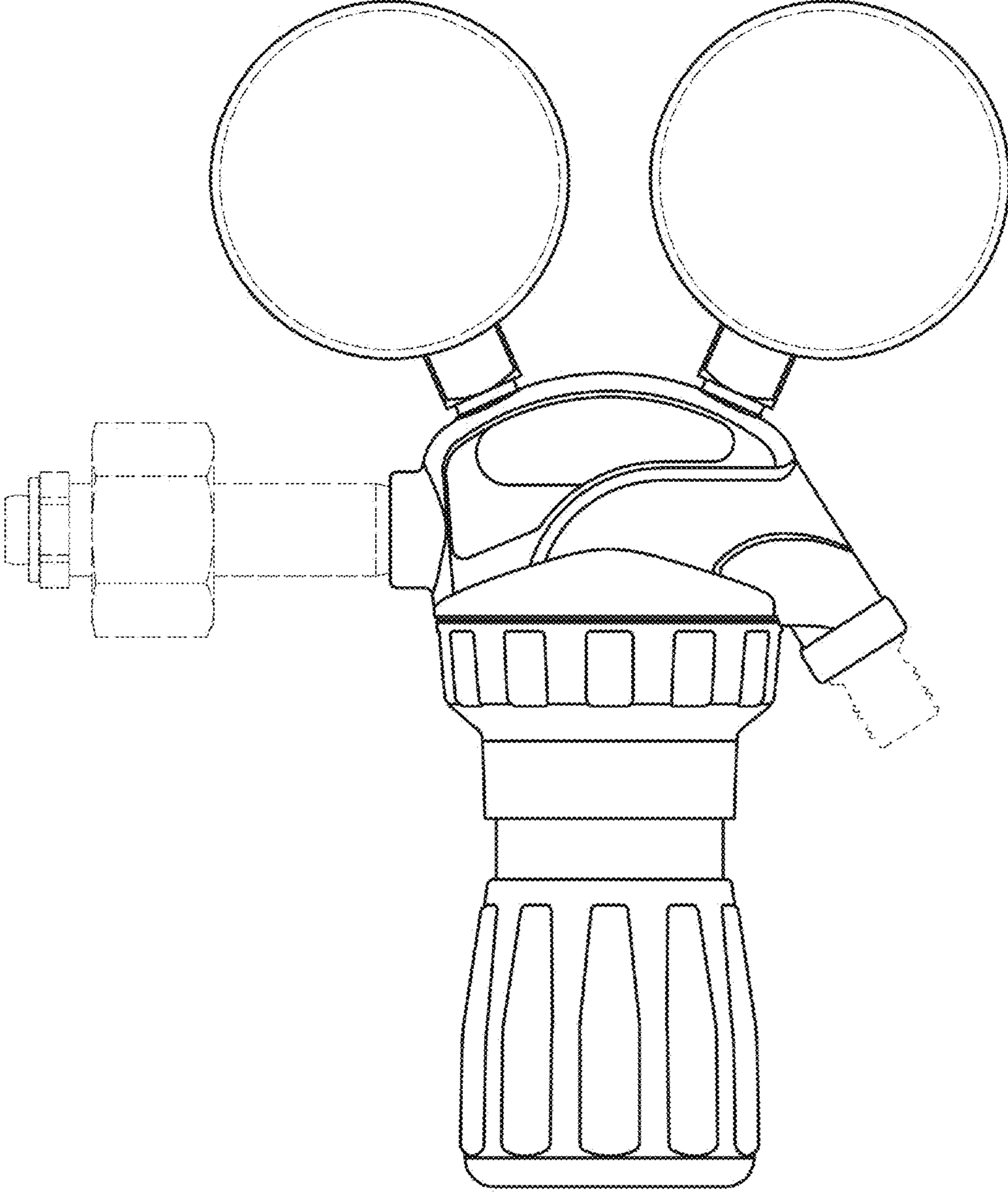


FIG.2

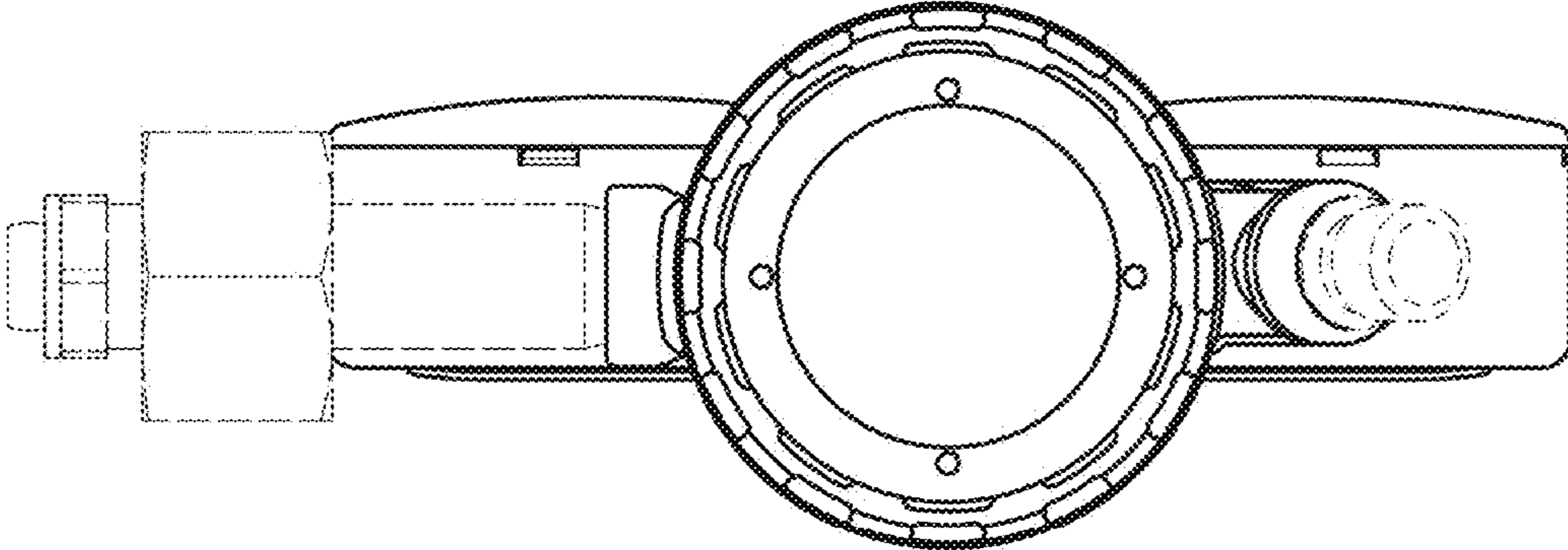


FIG.3



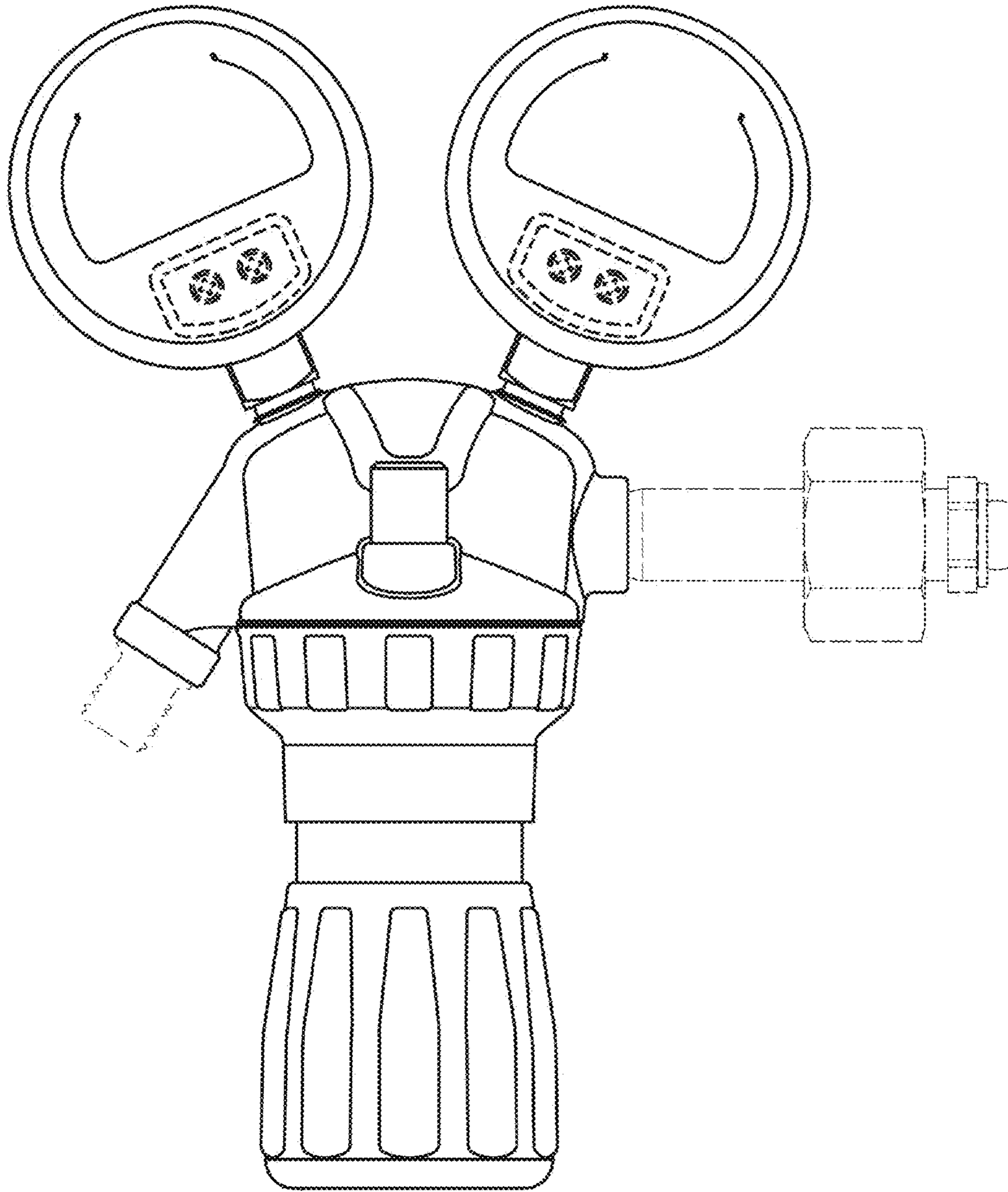


FIG.4

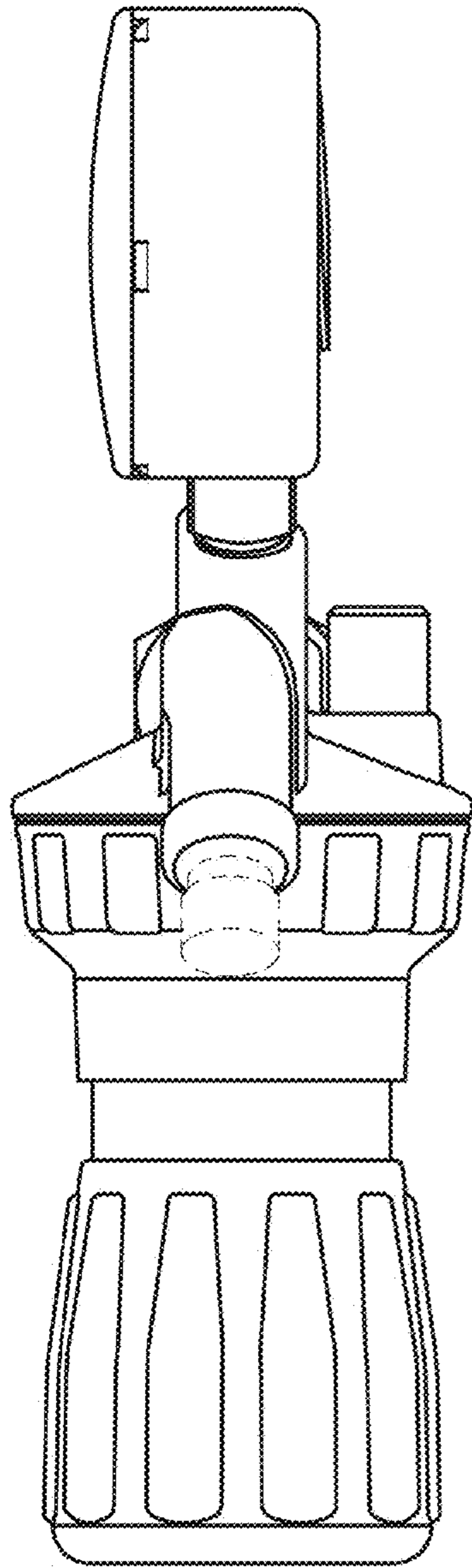


FIG.5

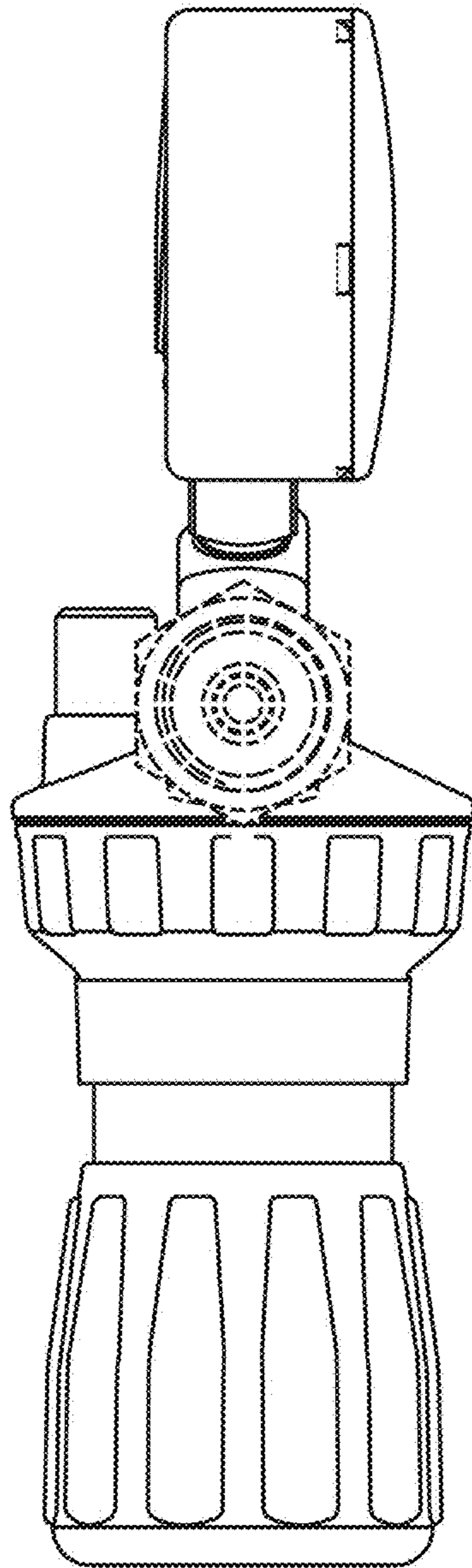


FIG.6

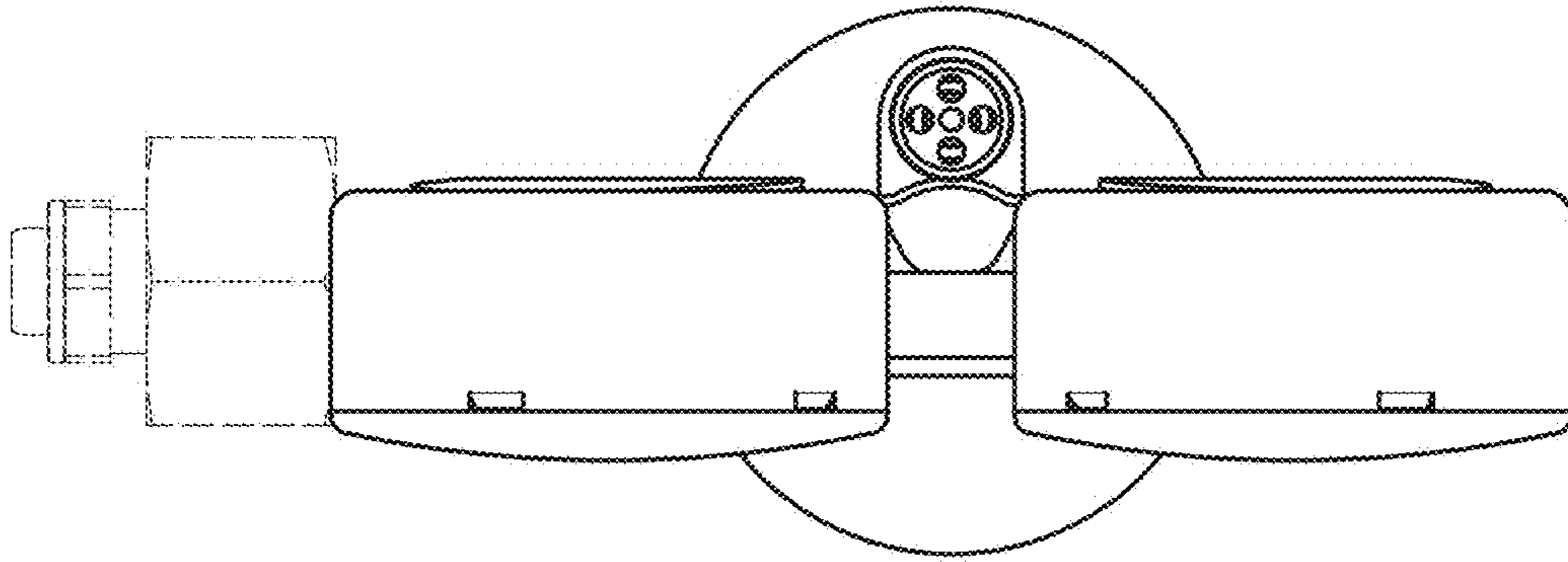


FIG.7