



US00D937971S

(12) **United States Design Patent**
Gutman

(10) **Patent No.:** **US D937,971 S**

(45) **Date of Patent:** **** Dec. 7, 2021**

(54) **SHOWER HEAD**

(71) Applicant: **Gill Gutman**, Atlit (IL)

(72) Inventor: **Gill Gutman**, Atlit (IL)

(**) Term: **15 Years**

(21) Appl. No.: **29/736,485**

(22) Filed: **Jun. 1, 2020**

(30) **Foreign Application Priority Data**

Dec. 5, 2019 (IL) 64502

(51) **LOC (13) Cl.** **23-01**

(52) **U.S. Cl.**
USPC **D23/223**

(58) **Field of Classification Search**
USPC D23/213, 214, 215, 222, 223, 224, 226,
D23/229, 230

CPC A61H 9/0021; A61H 33/00; B05B 1/00;
B05B 1/14; B05B 1/185; B05B 1/08;
B05B 1/02; B05B 1/26; B05B 12/002;
B05B 1/18; B05B 9/01
See application file for complete search history.

(56) **References Cited**

U.S. PATENT DOCUMENTS

D557,766 S *	12/2007	Hoernig	D23/223
D575,845 S *	8/2008	Lobermeier	D23/223
D604,392 S *	11/2009	Schoenherr	D23/223
D655,388 S *	3/2012	Schoenherr	D23/223
D721,420 S *	1/2015	Hawkins	D23/223
9,566,593 B2 *	2/2017	Marty	B05B 15/652
D822,160 S *	7/2018	Urry	D23/223
D824,492 S *	7/2018	Chen	D23/223
D912,767 S *	3/2021	Ladwig	D23/223
D914,842 S *	3/2021	Zhang	D23/226
D919,044 S *	5/2021	Yan	D23/213
D920,475 S *	5/2021	Michalak	D23/226
2021/0078020 A1 *	3/2021	Wang	B05B 1/185

OTHER PUBLICATIONS

No branded Pet Massage Shower,Brush Head, Shower Head, Jul. 23, 2020, Amazon.com, Aug. 12, 2021.URL: <https://www.amazon.com/branded-Massage-Silicone-Combing-Adjustable/dp/B08DHFV73X1> (Year: 2020).*

2-in-1 Massaging Shower Head, 20" Long Handle with Soft, Flexible Hand Held Silicone Scrub Brush, Feb. 17, 2021, Amazon.com, Aug. 12, 2021.URL: <https://www.amazon.com/Massaging-Lightweight-Ergonomic-Removable-Showerhead/dp/B08WRGLWLW> (Year: 2021).*

Conair CHDS14 INFINITIPRO Hydro-Detangler Showerhead, Chrome Finish, Jun. 26, 2019, Amazon.com, Aug. 12, 2021.URL: <https://www.amazon.com/Infiniti-Pro-Conair-CHDS14-Hydro-Detangler/dp/B07TZHH5Z2> (Year: 2019).*

(Continued)

Primary Examiner — Jack Reickel

Assistant Examiner — Keith J Wilson

(74) *Attorney, Agent, or Firm* — Alphapotent Associates, Ltd; Daniel J. Swirsky

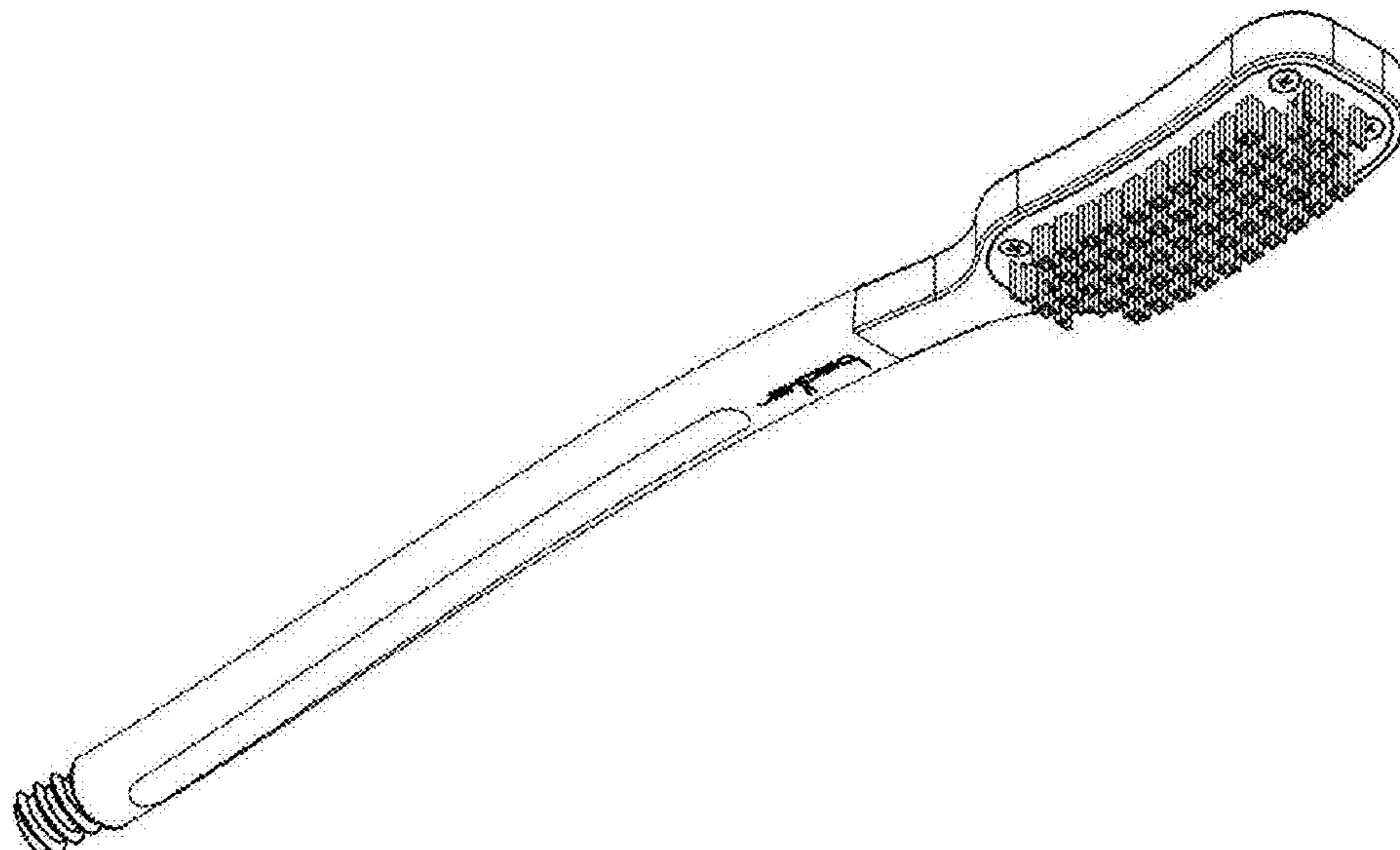
(57) **CLAIM**

The ornamental design for a shower head, as shown and described.

DESCRIPTION

FIG. 1 is an isometric bottom view of a shower head, showing my new design;
FIG. 2 is an isometric top view thereof;
FIG. 3 is a left view thereof;
FIG. 4 is a right view thereof;
FIG. 5 is a back view thereof;
FIG. 6 is a front view thereof.
FIG. 7 is a top view thereof; and,
FIG. 8 is a bottom view thereof.

1 Claim, 5 Drawing Sheets



(56)

References Cited

OTHER PUBLICATIONS

Wagen Pet Dog Shower Head with Brush and Scraper, Mar. 23, 2017, Amazon.com, Aug. 12, 2021, URL: https://www.amazon.com/dp/B06XSPJNMD/ref=cm_sw_su_dp (Year: 2017).*

Wasourlf Oxygenics Comb Shower Head Boost Pressurize Square Hand Shower, Jan. 10, 2020, aliexpress.com, Sep. 15, 2021 <https://www.aliexpress.com/i/32775323852.html> (Year: 2020).*

SoulBay Electric Body Brush with 5 Attachments, May 25, 2021, Amazon.com, Sep. 15, 2021, URL: <https://www.amazon.com/SoulBay-Electric-Body-Brush-Attachments/dp/B092Q6WC2R> (Year: 2021).*

YAMYONE Ultra-Soft Silicone Back Scrubber Shower, Apr. 4, 2020, Amazon.com, Sep. 15, 2021, URL: <https://www.amazon.com/dp/B07VYJ9PGS> (Year: 2020).*

* cited by examiner

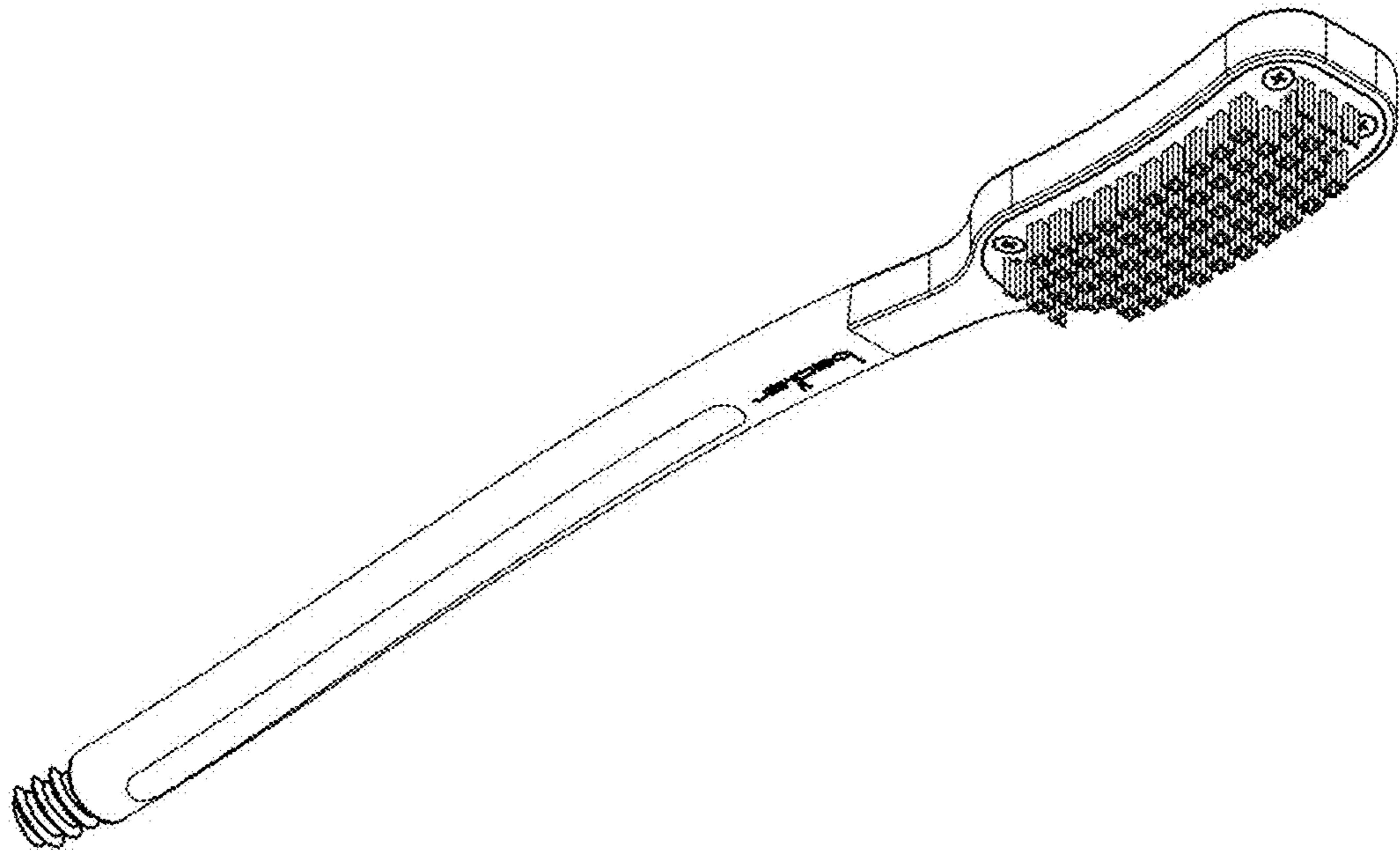


FIG. 1

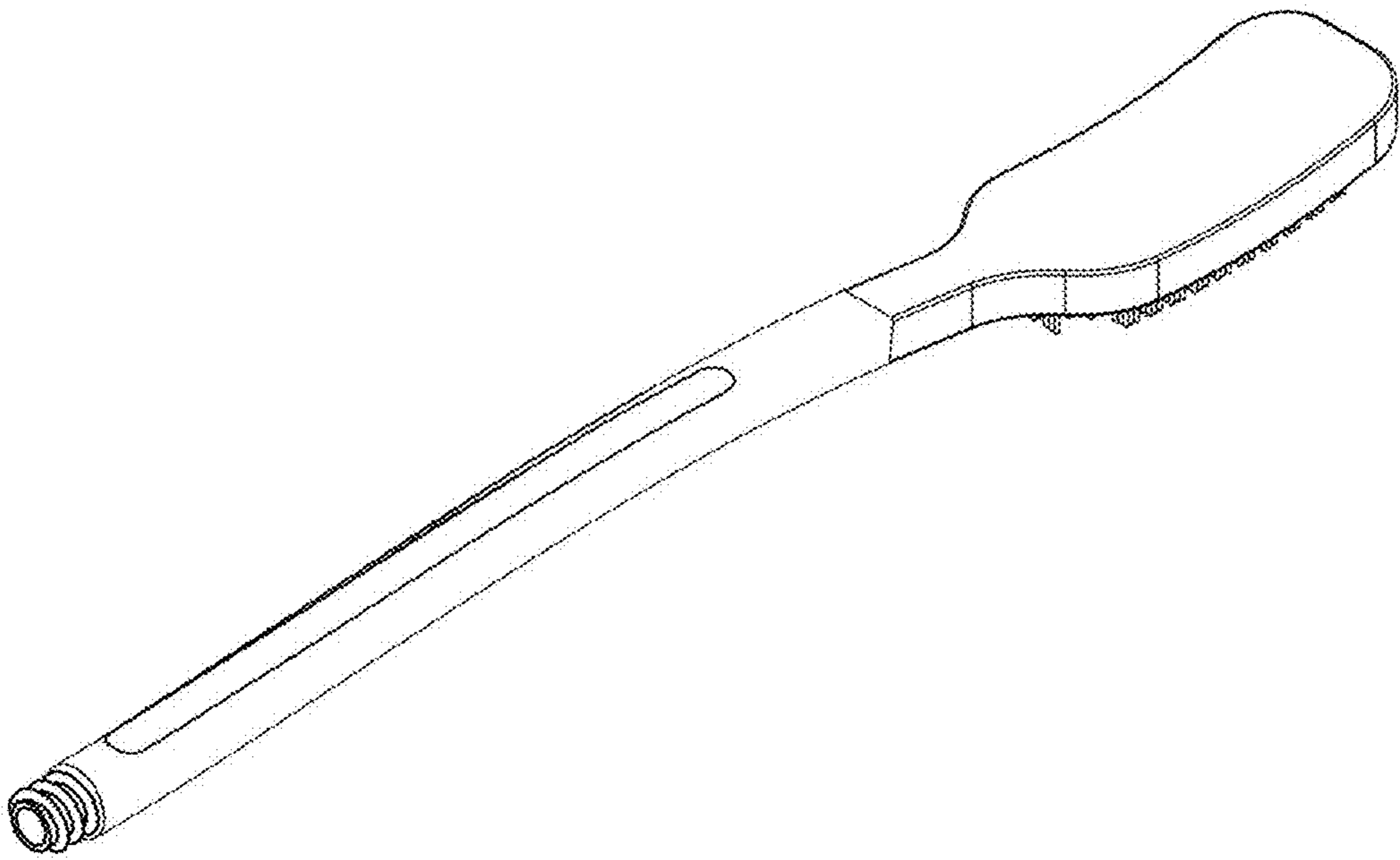


FIG. 2



FIG. 3

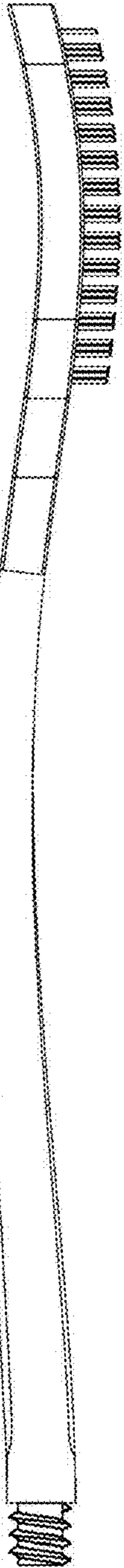


FIG. 4

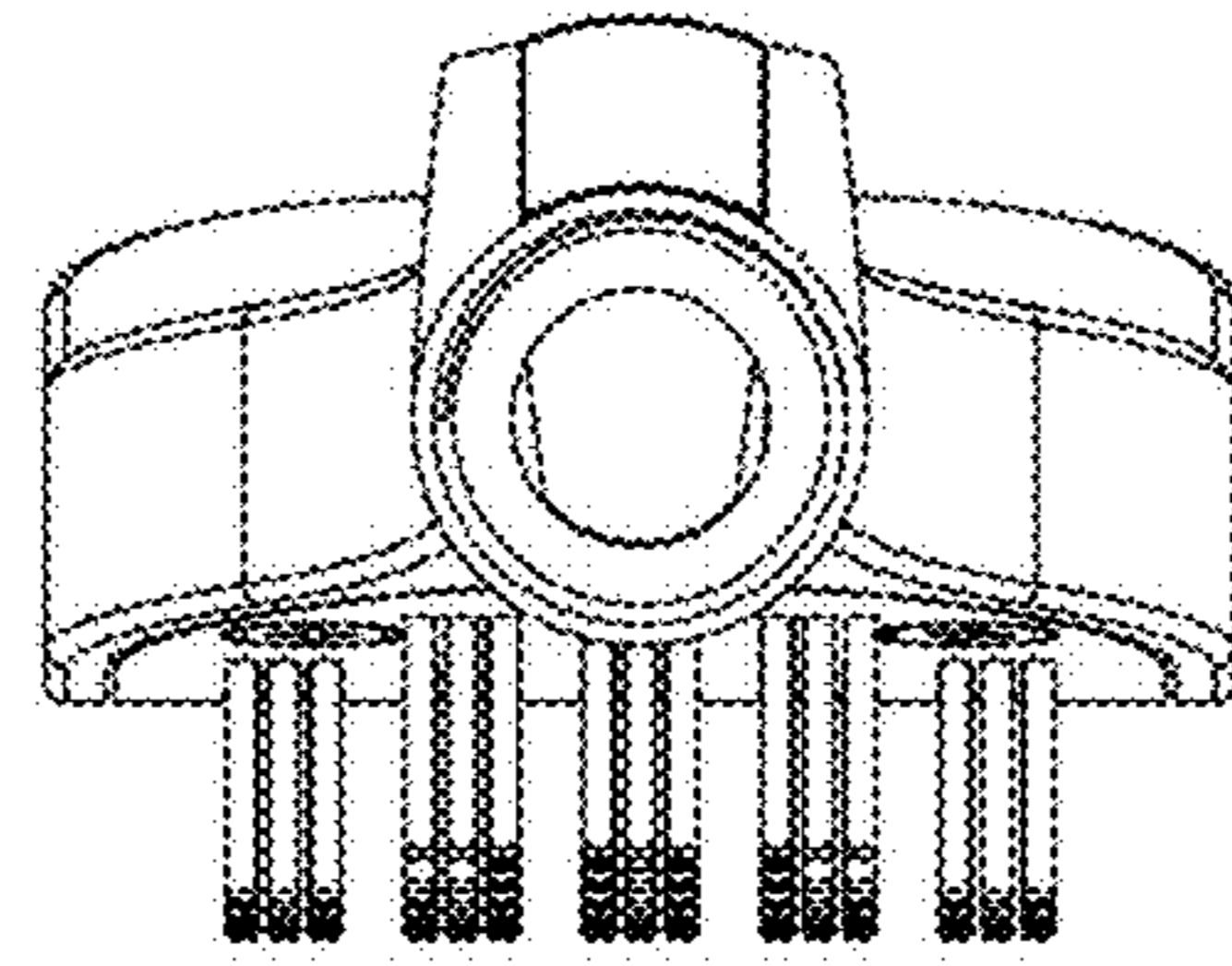


FIG. 5

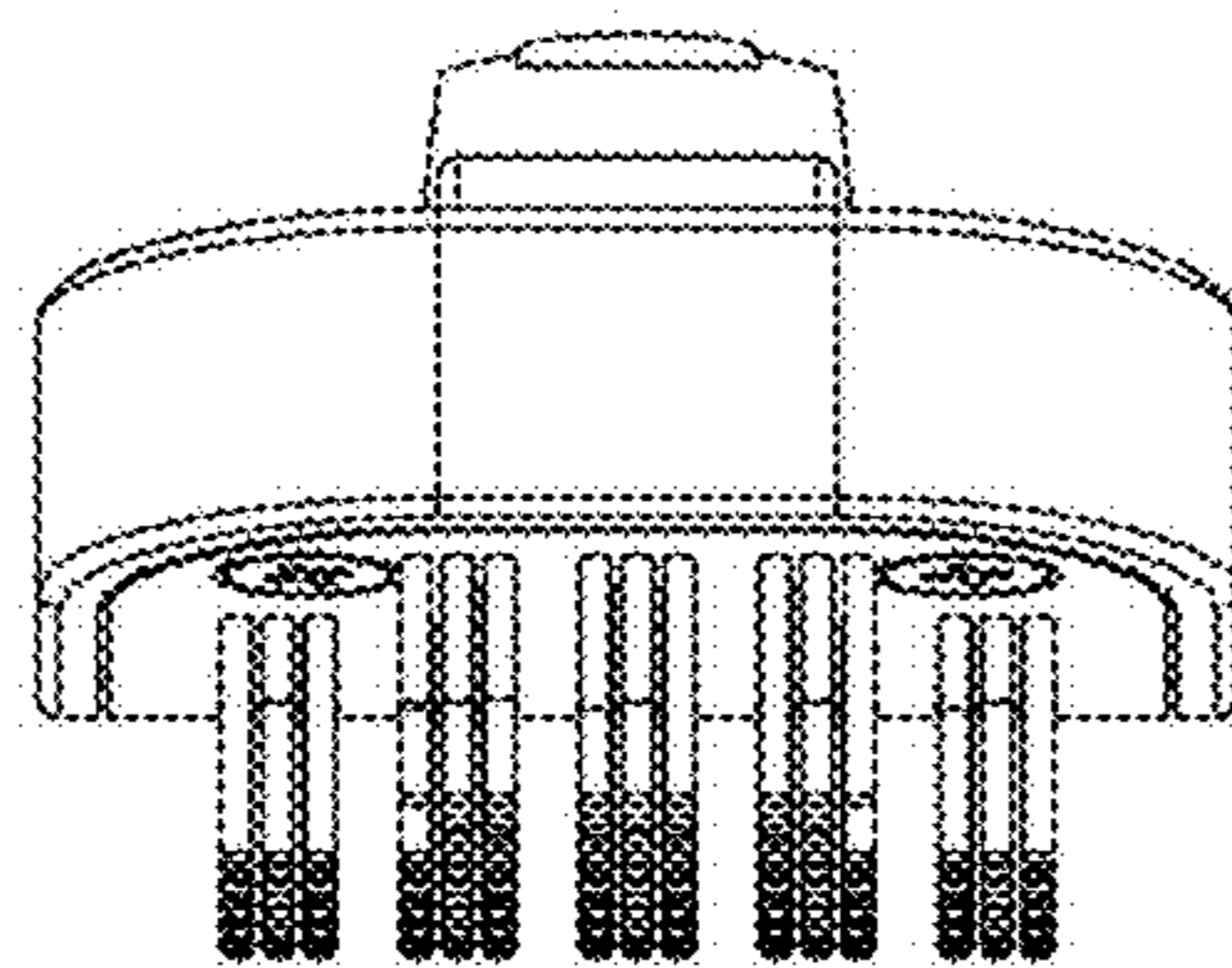


FIG. 6

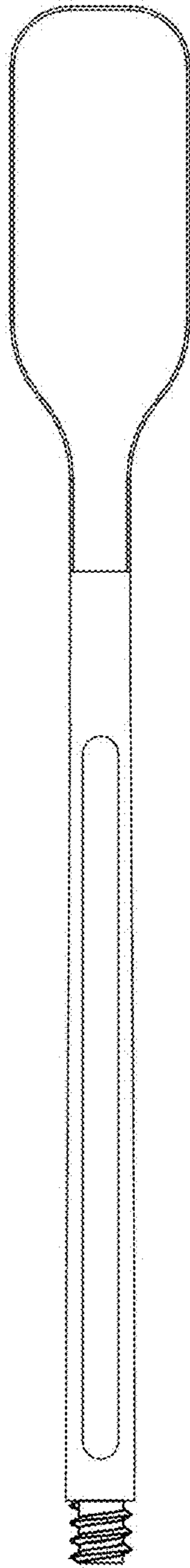


FIG. 7

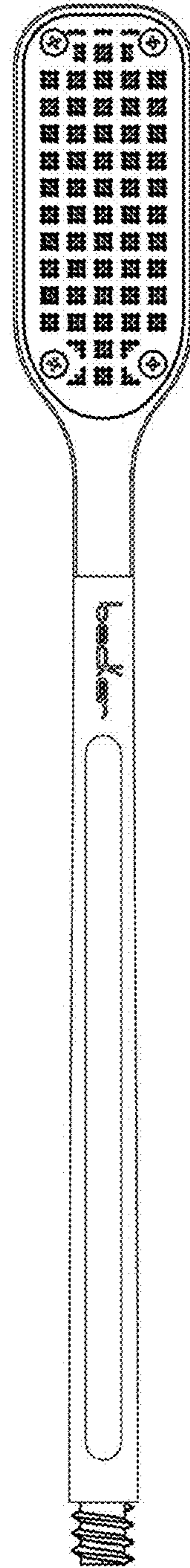


FIG. 8