



US00D937969S

(12) **United States Design Patent** (10) **Patent No.:** **US D937,969 S**
Muck (45) **Date of Patent:** **** Dec. 7, 2021**

(54) **FILTER FOR AQUARIUM** 7,651,609 B2 * 1/2010 Huehn A01K 63/045
210/167.21
(71) Applicant: **OASE GmbH**, Hörstel-Riesenbeck D650,468 S * 12/2011 Wang D23/210
(DE) 10,638,732 B2 * 5/2020 Brunner B01D 35/30
D907,751 S * 1/2021 Chan D23/316
(72) Inventor: **Thorsten Muck**, Ibbenbüren (DE) D915,549 S * 4/2021 Berducat D23/209
2014/0096718 A1 * 4/2014 Allen A01K 63/045
119/259
(73) Assignee: **OASE GmbH**, Hörstel-Riesenbeck 2014/0238914 A1 * 8/2014 Newman A01K 63/045
(DE) 210/167.22

(**) Term: **15 Years**

(21) Appl. No.: **29/730,972**

(22) Filed: **Apr. 10, 2020**

(30) **Foreign Application Priority Data**

Oct. 10, 2019 (EM) 007008313-0002

(51) **LOC (13) Cl.** **23-01**

(52) **U.S. Cl.**
USPC **D23/209**

(58) **Field of Classification Search**
USPC D23/209-210
CPC A01K 63/04; A01K 63/045; C02F 3/082;
C02F 3/18
See application file for complete search history.

(56) **References Cited**

U.S. PATENT DOCUMENTS

D291,720 S * 9/1987 Willinger D23/210
D355,701 S * 2/1995 Willinger D23/209
6,106,709 A * 8/2000 Bresolin A01K 63/045
119/259
D441,829 S * 5/2001 Wang D23/210
D462,739 S * 9/2002 Carley D23/210
D473,282 S * 4/2003 Lin D23/210
D505,711 S * 5/2005 Wu D23/210
D520,104 S * 5/2006 Wang D23/210
7,241,379 B2 * 7/2007 Agresta A01K 63/045
119/259
D571,891 S * 6/2008 Mihlbauer A01K 63/045
D23/210

(Continued)

OTHER PUBLICATIONS

Fluval C Series Power Filter, Clip-On Aquarium Filter, Aug. 19, 2004, Amazon.com Jun. 4, 2021.URL: https://www.amazon.com/dp/B003SJOLEQ/ref=sspa_dk_detail_4?pd_rd_i=B003SJOLEQ (Year: 2004).*

(Continued)

Primary Examiner — Jack Reickel
Assistant Examiner — Keith J Wilson
(74) *Attorney, Agent, or Firm* — Gudrun E. Huckett

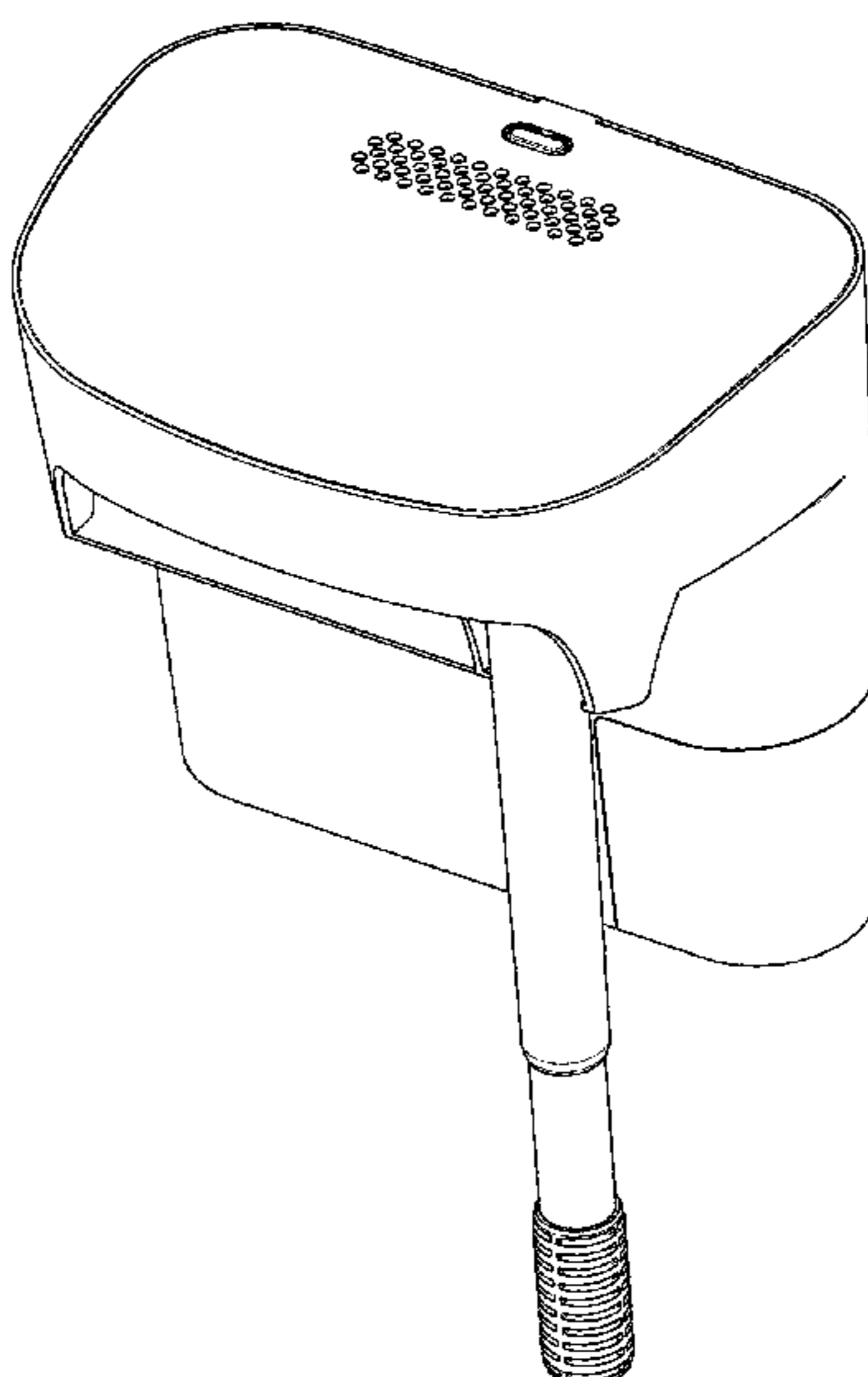
(57) **CLAIM**

The ornamental design for a filter for aquarium, as shown and described.

DESCRIPTION

FIG. 1 is a perspective view of a filter for aquarium showing my new design;
FIG. 2 is a front view thereof;
FIG. 3 is a rear view thereof;
FIG. 4 is a left side view thereof;
FIG. 5 is a right side view thereof;
FIG. 6 is a top view thereof; and,
FIG. 7 is a bottom view thereof.
The broken lines shown represent portions of a filter for aquarium and form no part of the claimed design.

1 Claim, 7 Drawing Sheets



(56)

References Cited

U.S. PATENT DOCUMENTS

2015/0096943 A1* 4/2015 Hudson A01K 63/045
210/767
2016/0235043 A1* 8/2016 Sawicki A01K 63/047

OTHER PUBLICATIONS

EA Performance Hang-On Power Filter—for Aquariums, Mar. 31, 2017, Amazon.com, Sep. 11, 2021, URL: <https://www.amazon.com/EA-Performance-Hang-Power-Filter/dp/B07X27JR1D> (Year: 2017).*

AQUA-TECH Power Filter for Aquariums, Oct. 2, 2020, Amazon.com, Sep. 11, 2020, URL: <https://www.amazon.com/AQUA-TECH-Ultra-Filter-Aquariums-Gallons/dp/B08KHY6LYR> (Year: 2020).*

SeaChem—Large Aquarium Fish Tank Filter, Oct. 16, 2019, Amazon.com, Sep. 11, 2021, URL: <https://www.amazon.com/Seachem-Tidal-Filter-Sicce-Gallon/dp/B01MAYXZUK> (Year: 2019).*

* cited by examiner

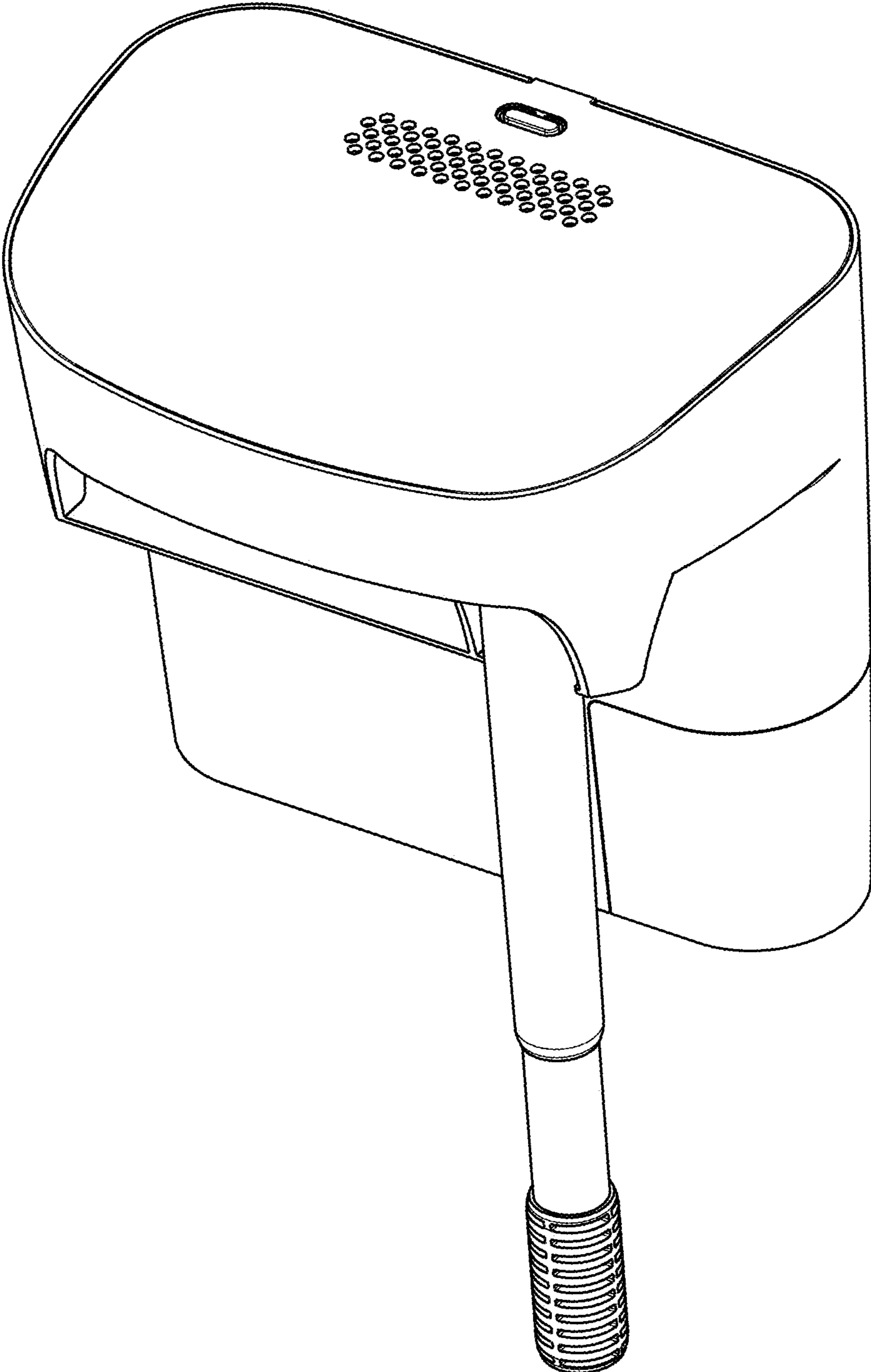


Fig. 1

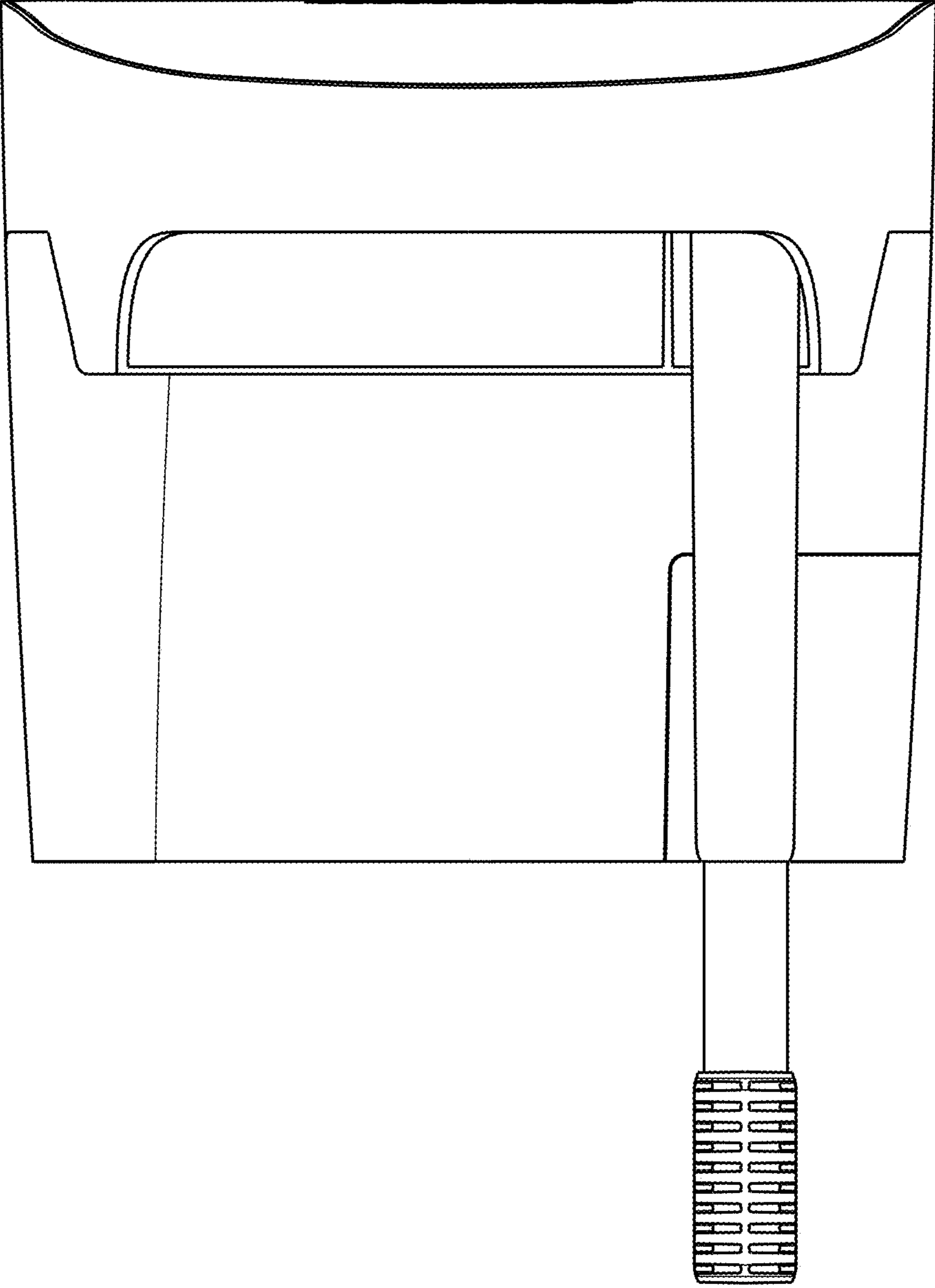


Fig. 2

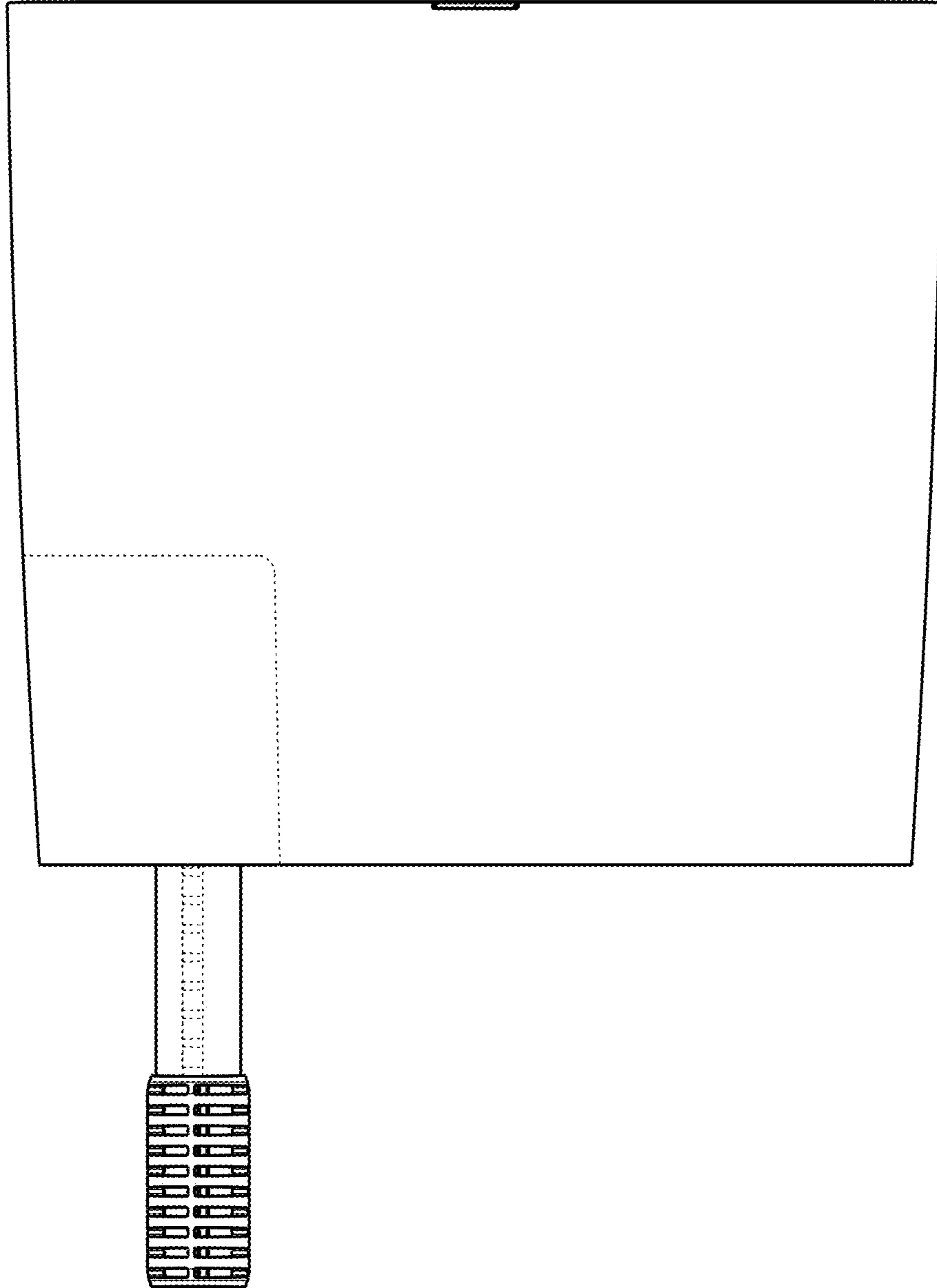


Fig. 3

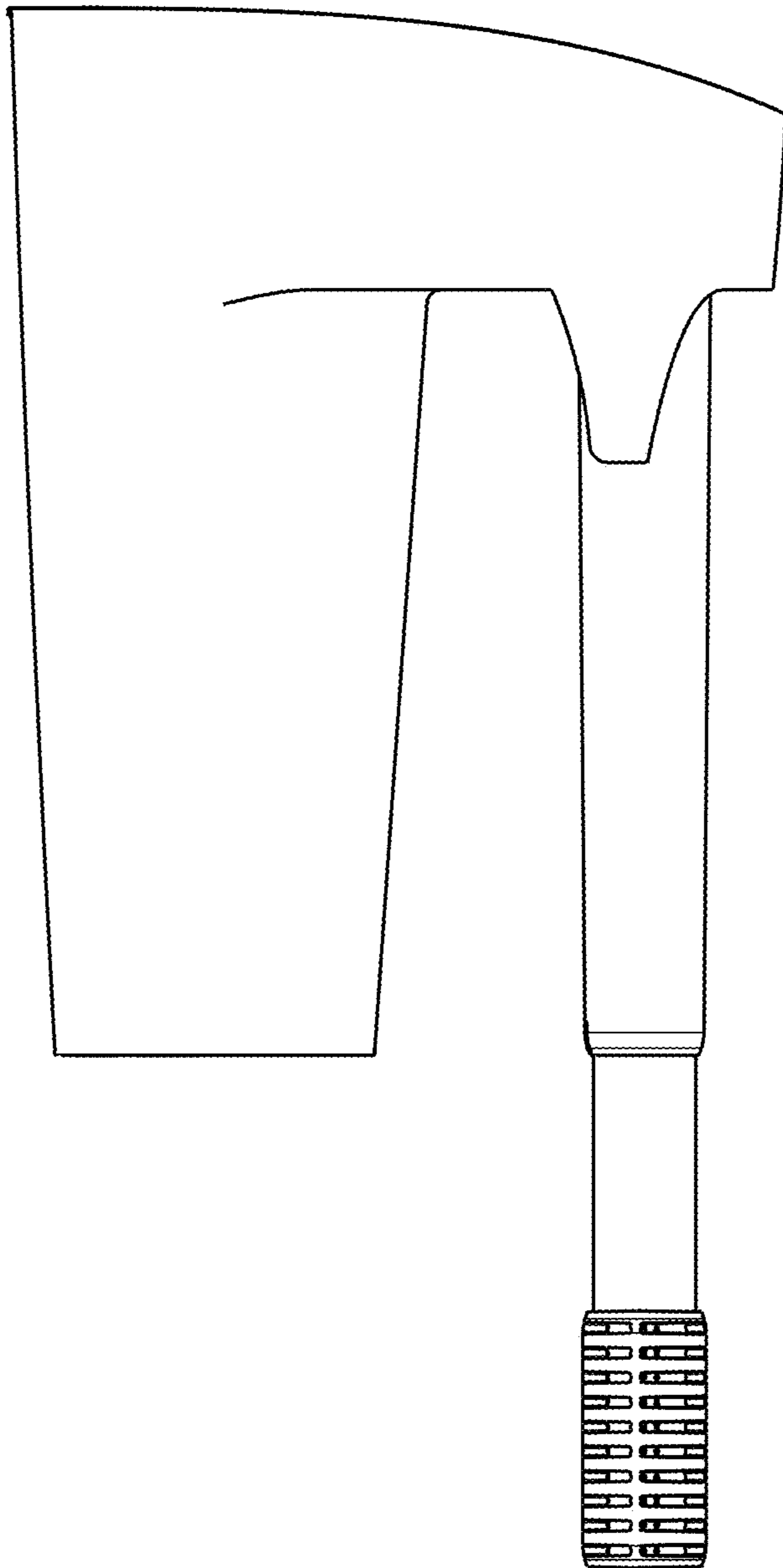


Fig. 4

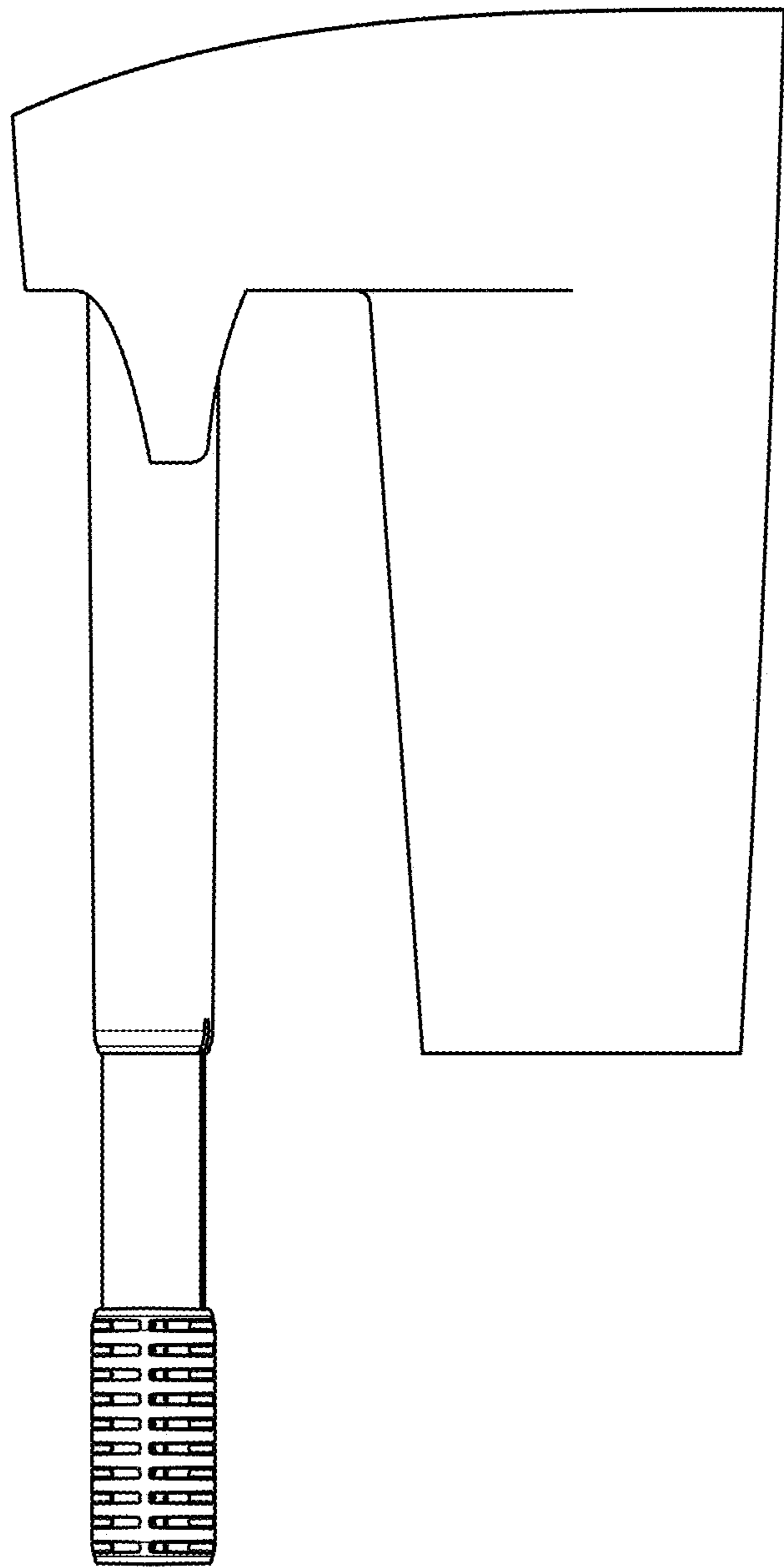


Fig. 5

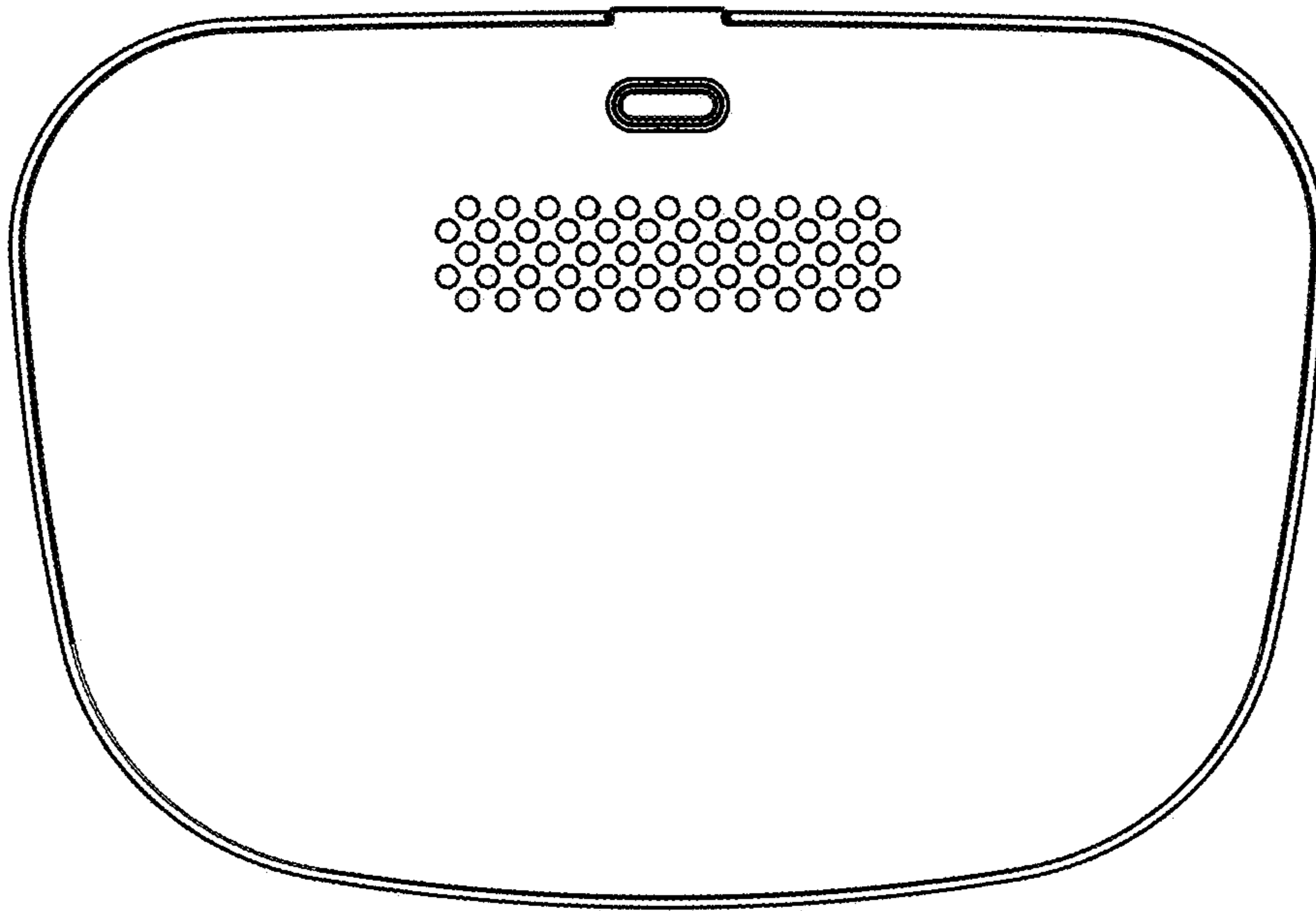


Fig. 6

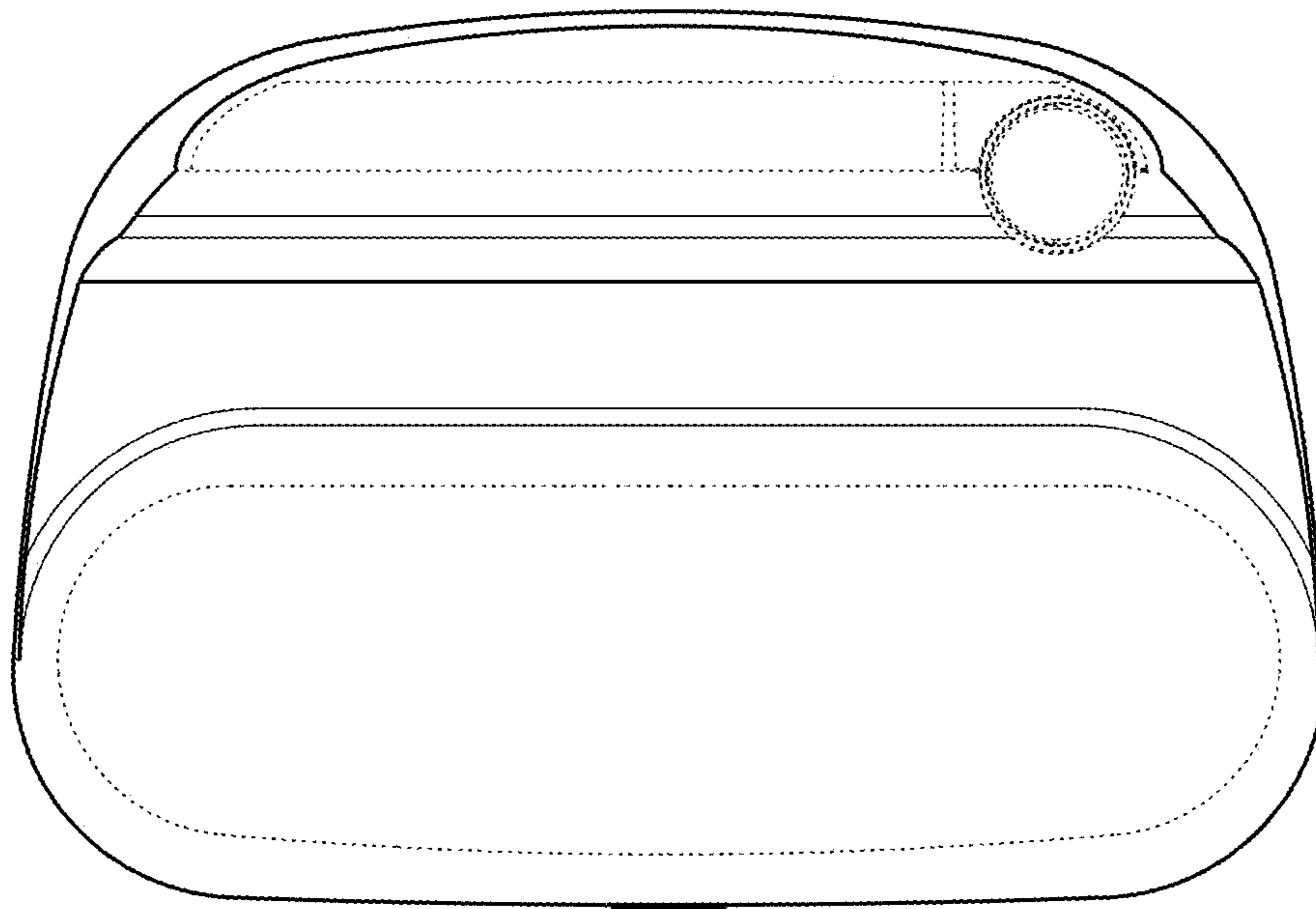


Fig. 7