



US00D937967S

(12) **United States Design Patent**  
**Vogtner et al.**

(10) **Patent No.:** **US D937,967 S**  
(45) **Date of Patent:** **\*\* Dec. 7, 2021**

- (54) **WATER SANITIZER SYSTEM ENCLOSURE**
- (71) Applicant: **Custom Molded Products, LLC**,  
Newnan, GA (US)
- (72) Inventors: **Zachary T. Vogtner**, Fayetteville, GA  
(US); **Victor L. Walker**, Temecula, CA  
(US)
- (73) Assignee: **Custom Molded Products, LLC**,  
Newnan, GA (US)
- (\*\*) Term: **15 Years**
- (21) Appl. No.: **29/711,458**
- (22) Filed: **Oct. 31, 2019**
- (51) **LOC (13) Cl.** ..... **23-01**
- (52) **U.S. Cl.**  
USPC ..... **D23/207**
- (58) **Field of Classification Search**  
USPC ..... D23/207, 208, 210, 213, 270, 271  
See application file for complete search history.

- D696,760 S \* 12/2013 Wolf, II ..... D23/364
- D735,309 S \* 7/2015 Sevy ..... A61L 9/14
- D23/364
- D745,130 S \* 12/2015 Sevy ..... D23/364
- D771,769 S \* 11/2016 Pin ..... D23/207
- D833,589 S \* 11/2018 Shono ..... D23/318
- D877,871 S \* 3/2020 Koppineedi ..... D23/359
- D907,175 S \* 1/2021 Roth ..... D23/208
- 2017/0321640 A1 \* 11/2017 Kimura ..... F02M 35/02491

\* cited by examiner

*Primary Examiner* — Karen S Acker  
*Assistant Examiner* — Jonathan E Fiencke  
(74) *Attorney, Agent, or Firm* — Laurence P. Colton;  
Smith Tempel Blaha LLC

(57) **CLAIM**

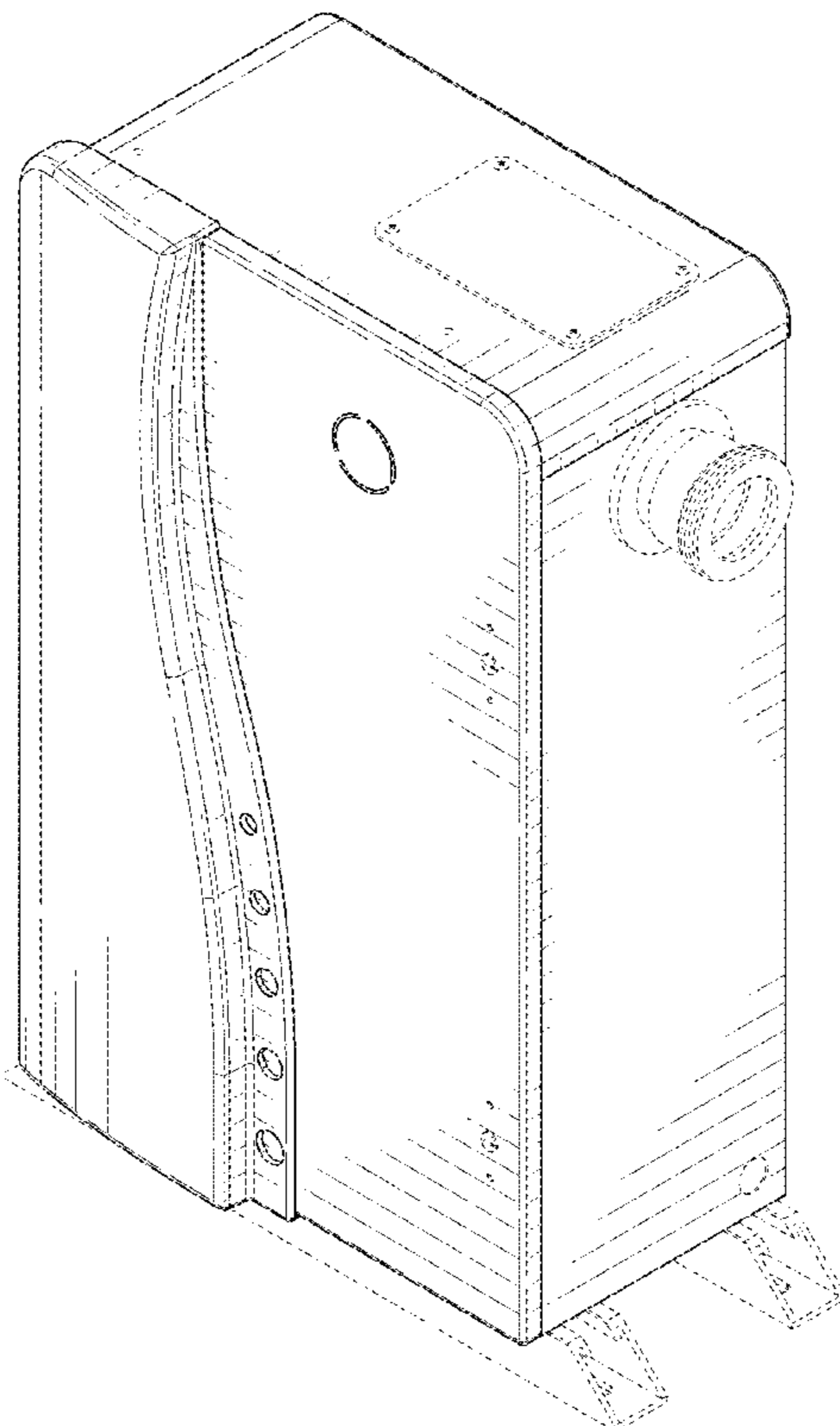
The ornamental design for a water sanitizer system enclosure, as shown and described.

**DESCRIPTION**

FIG. 1 is a top perspective view of a water sanitizer system enclosure showing our new design.  
FIG. 2 is a left side view thereof.  
FIG. 3 is a right side view thereof.  
FIG. 4 is a back view thereof.  
FIG. 5 is a front view thereof.  
FIG. 6 is a top view thereof; and,  
FIG. 7 is a bottom view thereof.  
The broken lines in the drawings depict portions of the water sanitizer system enclosure that form no part of the design.

**1 Claim, 6 Drawing Sheets**

- (56) **References Cited**  
U.S. PATENT DOCUMENTS
- D534,999 S \* 1/2007 Hussaini ..... D15/81
- D566,256 S \* 4/2008 Abate ..... D23/364
- 7,387,652 B2 \* 6/2008 Studer ..... B01D 46/24
- 55/338
- 7,806,948 B2 \* 10/2010 Brock ..... B01D 46/0068
- 55/302
- D645,130 S \* 9/2011 Goldstein ..... D23/356



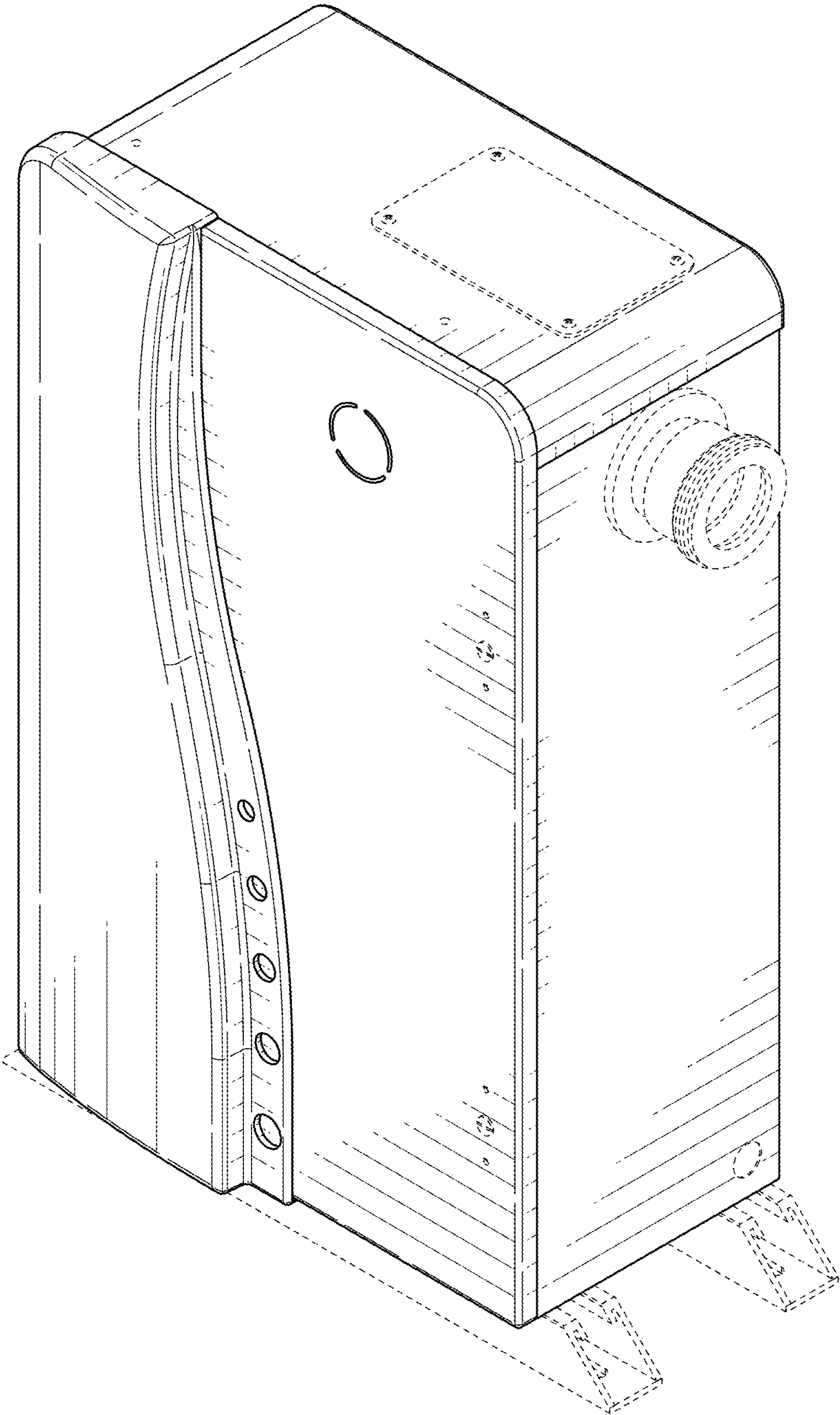


FIG. 1

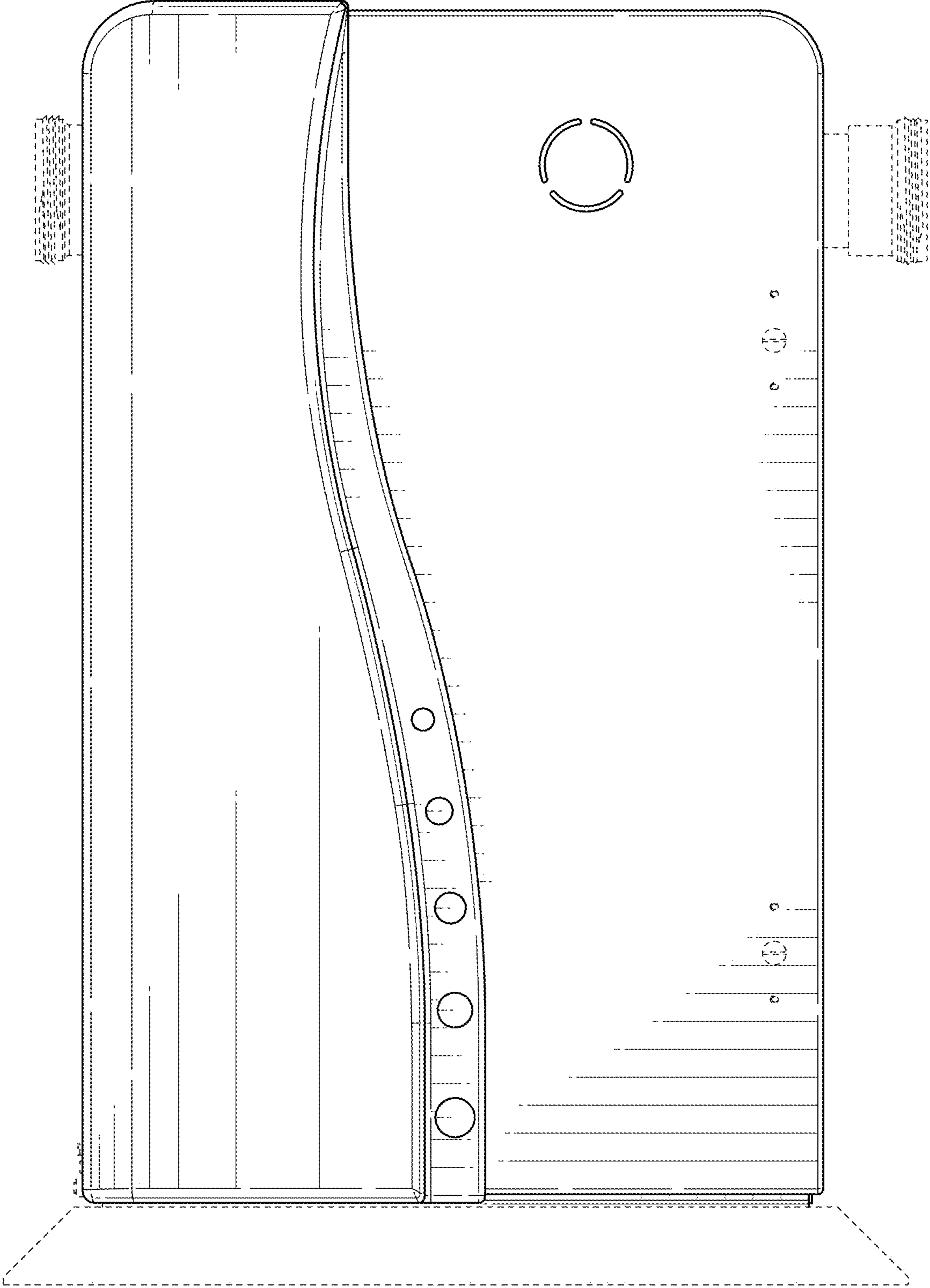


FIG. 2

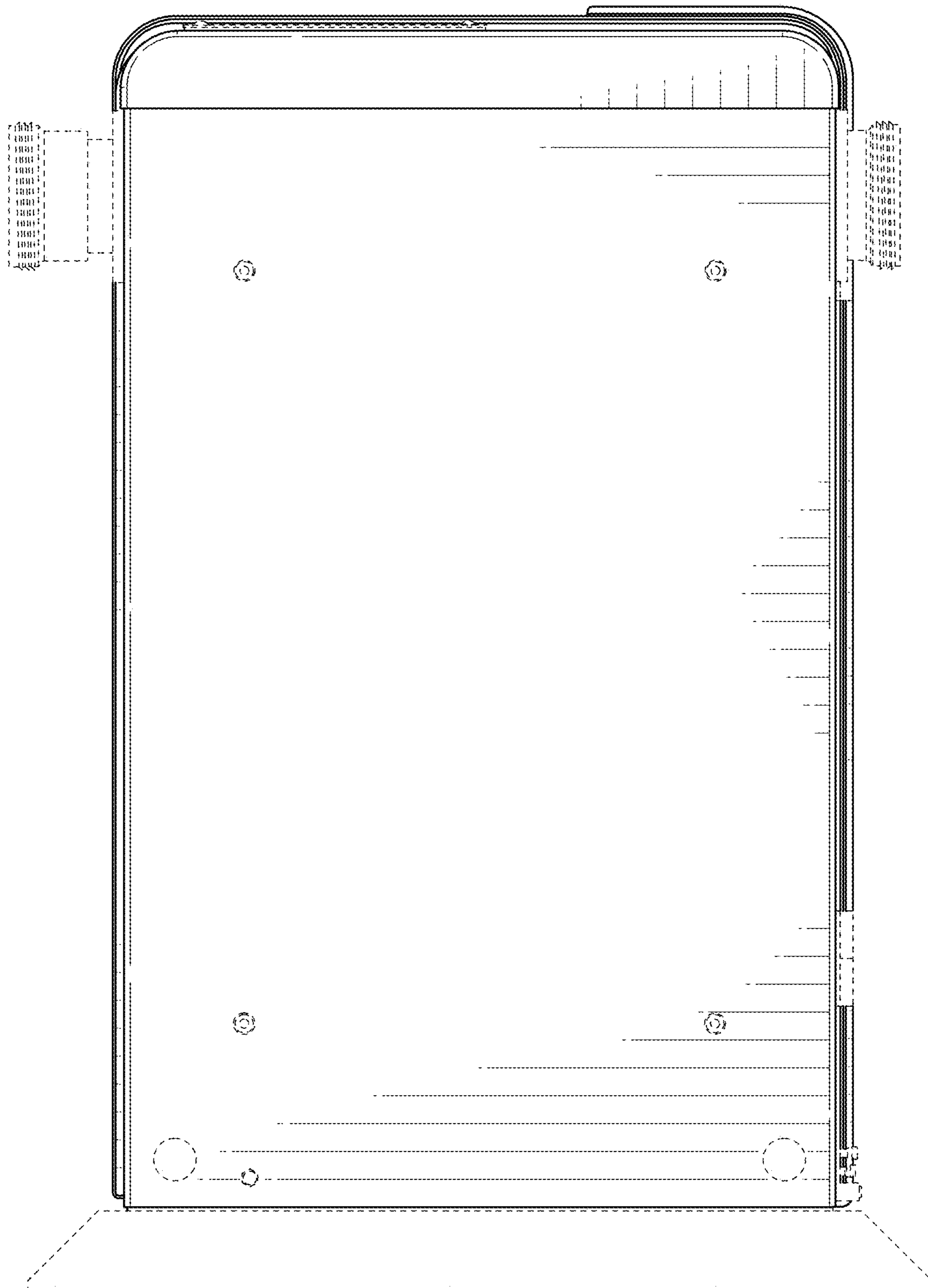


FIG. 3

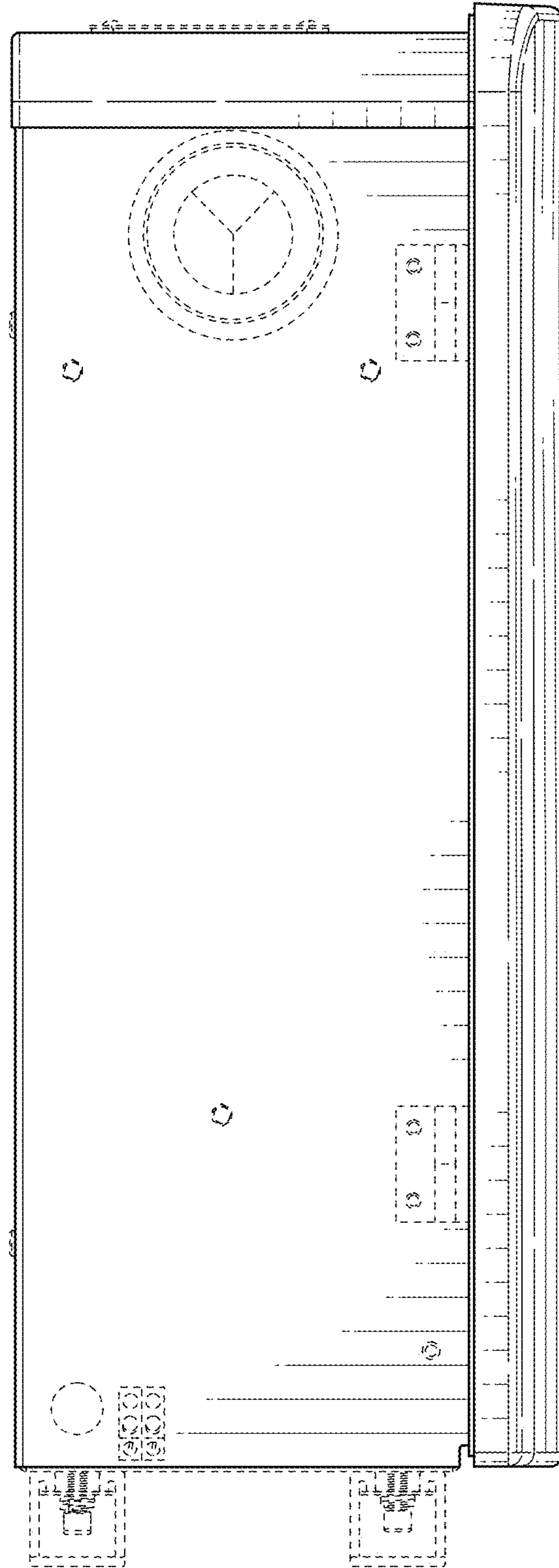


FIG. 4

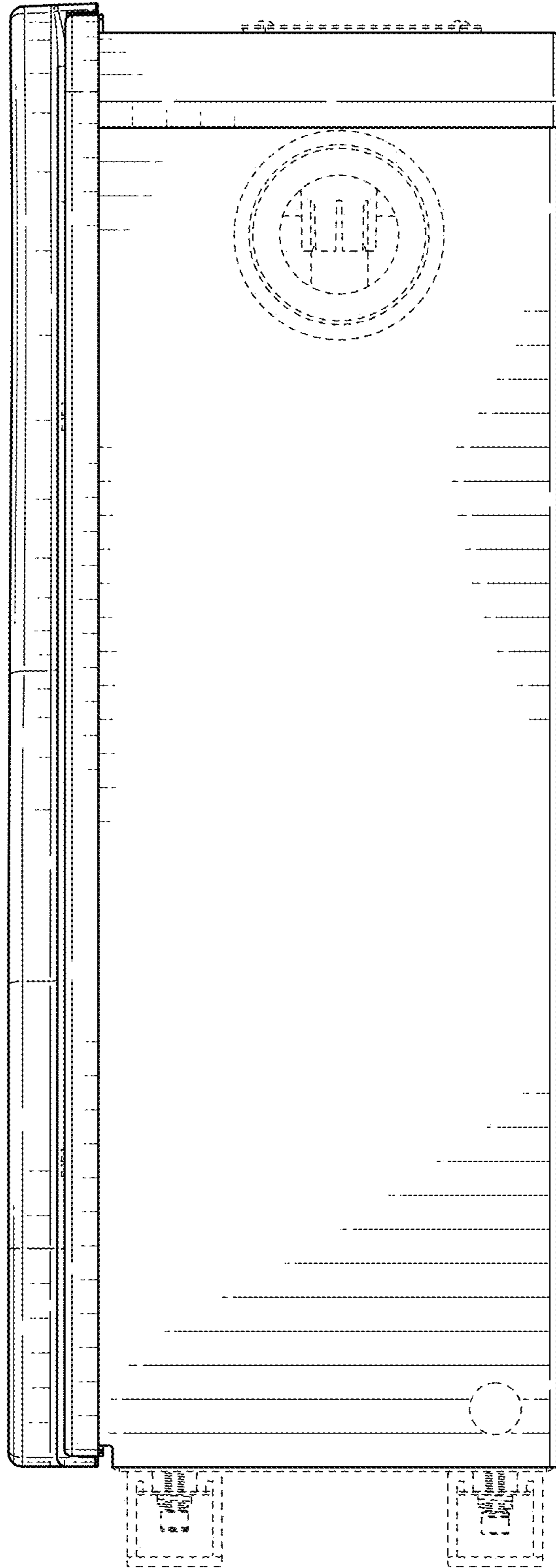


FIG. 5

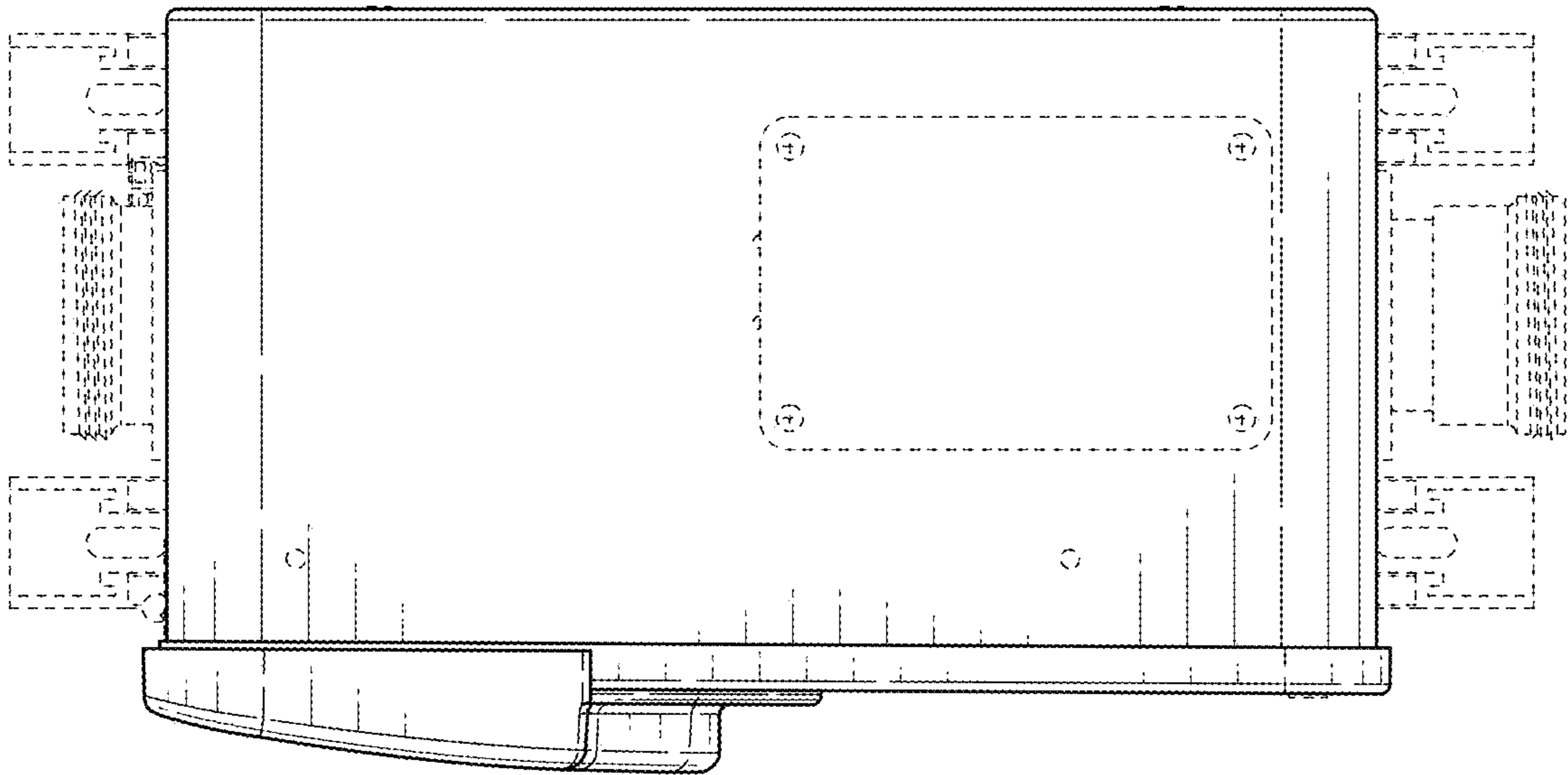


FIG. 6

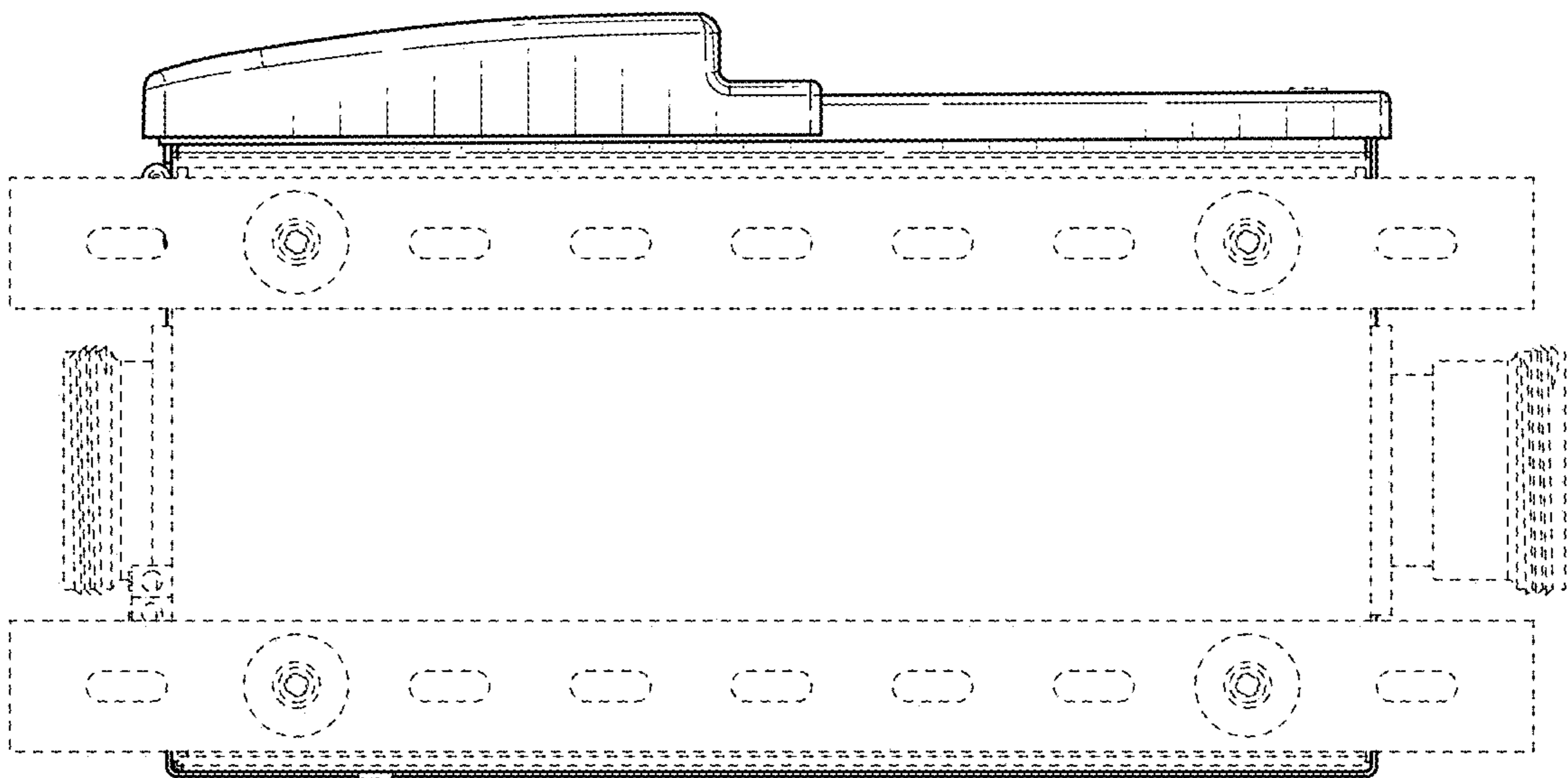


FIG. 7