



US00D937962S

(12) **United States Design Patent**
Ruegsegger et al.

(10) **Patent No.:** **US D937,962 S**

(45) **Date of Patent:** **** Dec. 7, 2021**

(54) **FIREARM CARTRIDGE**

- (71) Applicant: **Vista Outdoor Operations LLC**, Anoka, MN (US)
- (72) Inventors: **Justin Ruegsegger**, Lewiston, ID (US); **Robert Winker**, Lewiston, ID (US)

(73) Assignee: **Vista Outdoor Operations LLC**, Anoka, MN (US)

(**) Term: **15 Years**

(21) Appl. No.: **29/686,654**

(22) Filed: **Apr. 5, 2019**

(51) **LOC (13) Cl.** **22-03**

(52) **U.S. Cl.**
USPC **D22/116**

(58) **Field of Classification Search**
 USPC D22/100, 101, 103, 104, 108, 109, 110, D22/111, 115, 116, 199; D21/567, 573, D21/574
 CPC ... F41G 1/30; F41G 1/42; F41G 11/00; F41G 11/001; F41C 7/00; F41C 3/005; F41C 23/04; F41C 23/10
 See application file for complete search history.

(56) **References Cited**

U.S. PATENT DOCUMENTS

1,944,884	A *	1/1934	Gerlich	F42B 12/34 102/514
2,264,266	A	11/1941	Jacobs et al.		
2,286,064	A	6/1942	Coxe		
2,522,208	A	9/1950	Catlin		
2,765,558	A	10/1956	Roper et al.		
2,777,235	A	1/1957	Hopkins		
3,087,270	A	4/1963	Stoner		
3,239,959	A	3/1966	Sefried, II et al.		
3,577,860	A	5/1971	Oberndorf		
4,127,954	A	12/1978	Hausmann		

(Continued)

OTHER PUBLICATIONS

“Know Your Cartridge: .22 Long Rifle” [online]. Gun Digest Editors. [Published on May 19, 2016]. Retrieved from the Internet: <<https://gundigest.com/more/how-to/know-your-cartridge-22-long-rifle>>.*

(Continued)

Primary Examiner — Mojtaba Tehrani

(74) *Attorney, Agent, or Firm* — Reed Smith LLP; Matthew P. Frederick; John M. Cogill

(57) **CLAIM**

The ornamental design for a firearm cartridge, as shown and described.

DESCRIPTION

FIG. 1 is a front side view of the firearm cartridge. The rear side view, the right side view, and the left side view being identical thereto. The features as shown continue around the firearm cartridge. The drawing is lined for color.

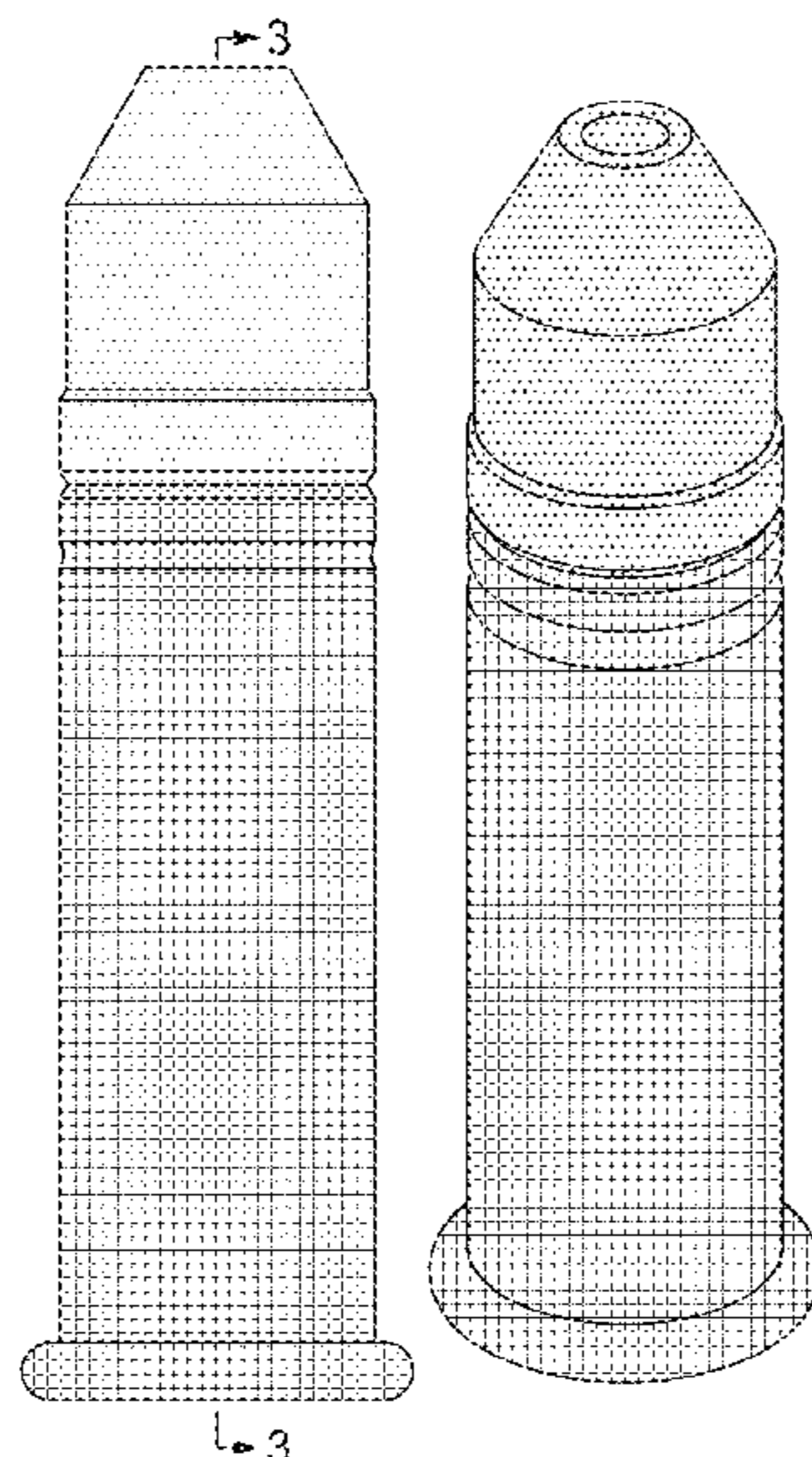
FIG. 2 is a perspective view of the firearm cartridge. The drawing is lined for color; and,

FIG. 3 is a partial cross-sectional view of the firearm cartridge taken along the line 3-3 of FIG. 1. The dash-dot line in FIG. 3 depicts an unclaimed termination portion of the partial view only and forms no part of the claimed design.

The bottom view is omitted and features thereon form no part of the claimed design.

With respect to FIGS. 1 and 2, the stipple pattern on the projectile portion of the cartridge represents a brown coloration, the coloration extending across the entirety of the projectile portion, the color being part of the claimed design. Also, the intersecting line pattern on the casing portion of the cartridge represents a brass coloration, the coloration extending across the entirety of the casing portion, the color being part of the claimed design.

1 Claim, 1 Drawing Sheet



(56)

References Cited

U.S. PATENT DOCUMENTS

4,566,212 A 1/1986 Chesnut
 4,580,364 A 4/1986 Vyprachticky
 4,672,760 A 6/1987 Chesnut et al.
 4,674,409 A 6/1987 Lopata et al.
 4,739,572 A 4/1988 Brandenburg
 4,765,081 A 8/1988 Dieringer
 4,776,122 A 10/1988 Dieringer et al.
 4,790,094 A 12/1988 Chesnut et al.
 4,888,899 A 12/1989 Chesnut et al.
 4,939,862 A 7/1990 Brandenburg et al.
 5,216,199 A * 6/1993 Bjerke F42B 33/025
 102/471
 5,301,449 A 4/1994 Jackson
 5,490,463 A * 2/1996 Lamberty F42B 5/32
 102/439
 5,502,913 A 4/1996 Jackson
 6,352,033 B1 * 3/2002 Brede F42B 5/32
 102/430
 D456,480 S * 4/2002 Quinsa 102/508
 6,405,654 B1 * 6/2002 Smith F42B 12/34
 102/501
 6,845,717 B1 * 1/2005 Sauvestre F42B 12/34
 102/518
 7,011,028 B1 3/2006 Emary
 7,059,234 B2 * 6/2006 Husseini F42B 5/02
 86/55

7,201,104 B2 * 4/2007 McMurray F42B 7/08
 102/520
 7,219,607 B2 * 5/2007 Oertwig F42B 14/00
 102/439
 7,493,862 B2 2/2009 Orlanov
 8,407,922 B1 4/2013 Taylor
 D717,909 S * 11/2014 Thrift D22/116
 8,991,086 B2 3/2015 Fitzpatrick et al.
 D759,189 S * 6/2016 Pederson D22/116
 10,234,221 B2 3/2019 Michael
 10,240,879 B2 3/2019 Fischer
 D849,874 S * 5/2019 Peterson D22/116
 D877,848 S * 3/2020 Kedairy D22/116
 2001/0013299 A1 * 8/2001 Husseini F42B 5/307
 102/466
 2005/0257711 A1 * 11/2005 Husseini F42B 5/30
 102/466
 2006/0169164 A1 * 8/2006 Brus F42B 5/18
 102/431
 2006/0230971 A1 * 10/2006 Harrison F42B 14/02
 102/374
 2017/0089673 A1 * 3/2017 Burrow F42B 12/32

OTHER PUBLICATIONS

“CCI Copper 22 Review” [online]. 22plinkster. [Published on Sep. 1, 2016]. Retrieved from the Internet: <<https://www.youtube.com/watch?v=JyuVEexAXaw>>.*

* cited by examiner

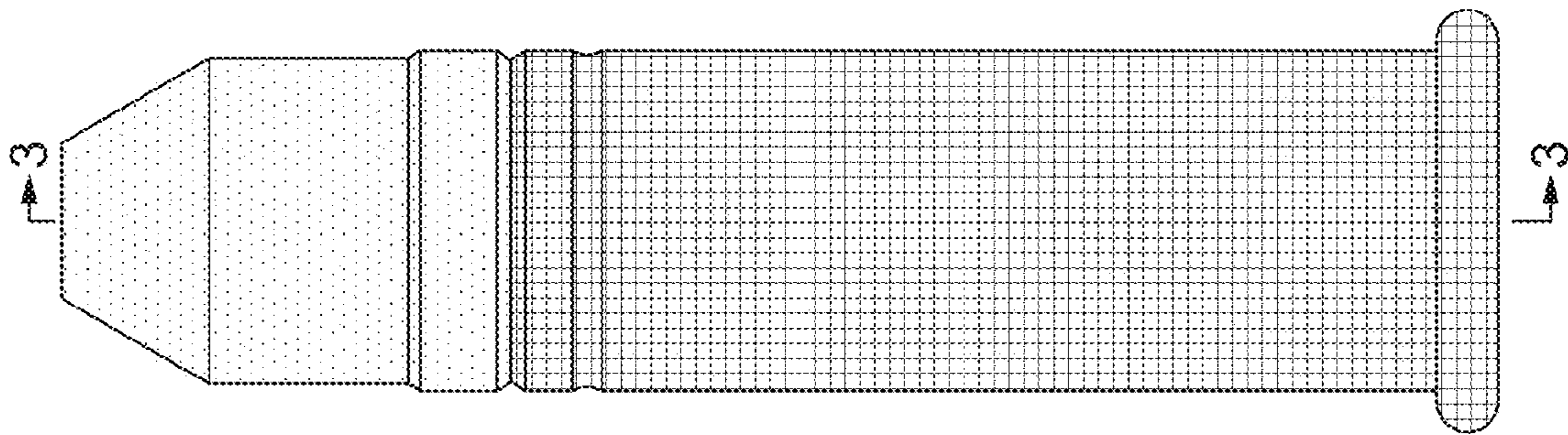


FIG. 1

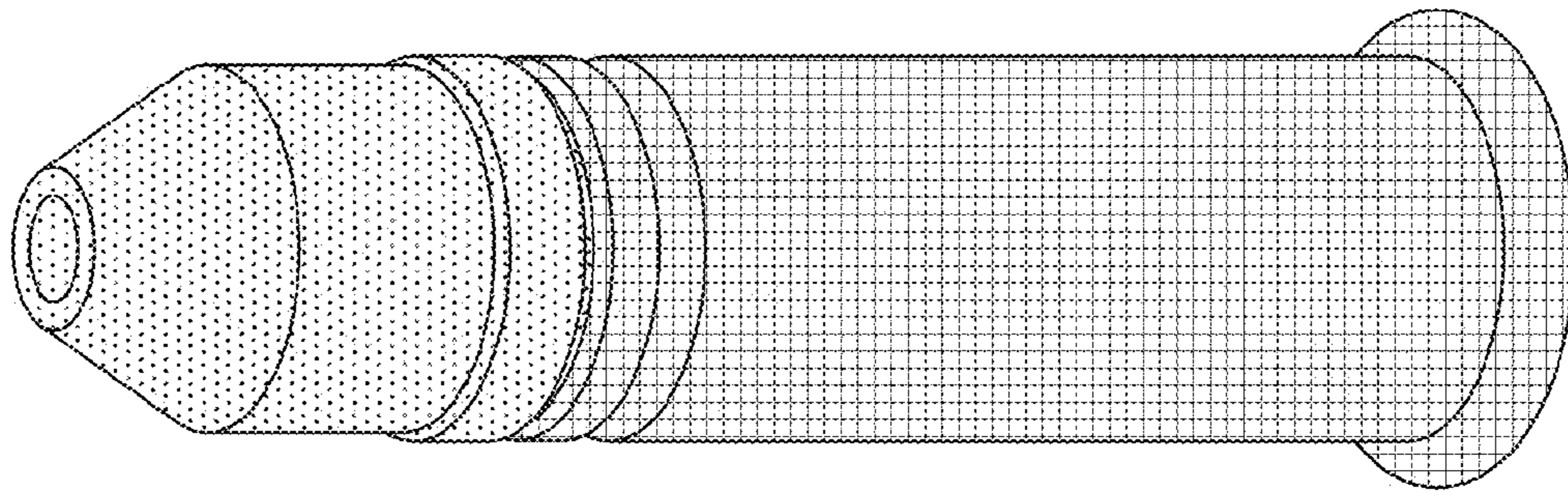


FIG. 2

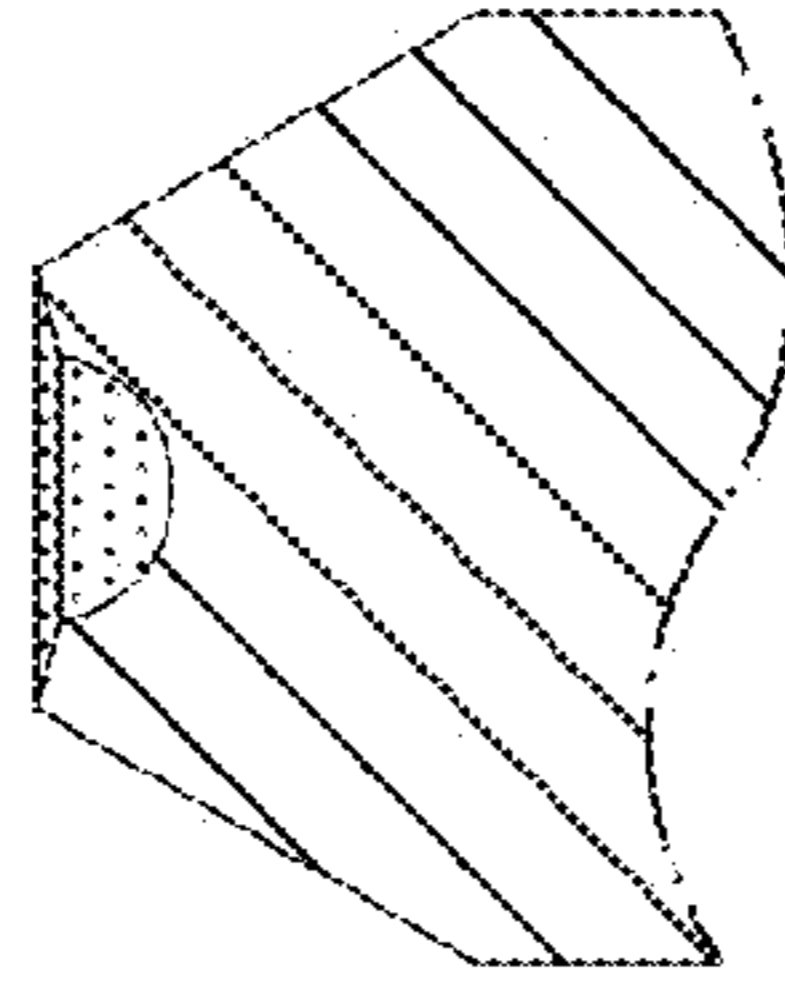


FIG. 3