



US00D937961S

(12) **United States Design Patent**  
**Slevin**

(10) **Patent No.:** **US D937,961 S**

(45) **Date of Patent:** **\*\* Dec. 7, 2021**

(54) **MAGAZINE LOADER**

(71) Applicant: **Vista Outdoor Operations LLC**,  
Farmington, UT (US)

(72) Inventor: **Richard Slevin**, Palo Alto, CA (US)

(73) Assignee: **VISTA OUTDOOR OPERATIONS LLC**, Anoka, MN (US)

(\*\*) Term: **15 Years**

(21) Appl. No.: **29/634,339**

(22) Filed: **Jan. 19, 2018**

(51) **LOC (13) Cl.** ..... **22-01**

(52) **U.S. Cl.**  
USPC ..... **D22/108**

(58) **Field of Classification Search**  
USPC ..... D22/103, 107-111, 199; D21/571-575  
CPC ..... F41A 9/82; F41A 9/83; F41A 9/86  
See application file for complete search history.

(56) **References Cited**

U.S. PATENT DOCUMENTS

4,137,820	A *	2/1979	Clemens	.....	F41A 9/86 414/404
4,464,855	A	8/1984	Musgrave		
4,689,909	A	9/1987	Howard		
4,719,715	A	1/1988	Howard		
4,827,651	A	5/1989	Conkey		
4,829,693	A	5/1989	Holmes		
4,888,902	A	12/1989	Knowles		
4,993,180	A	2/1991	Upchurch		
5,249,386	A	10/1993	Switzer		
5,355,606	A	10/1994	Origoni		
5,377,436	A	1/1995	Switzer		
6,178,683	B1	1/2001	Williams		
6,810,616	B2	11/2004	Tal et al.		
6,817,134	B2	11/2004	Newman		
7,059,077	B2	6/2006	Tal et al.		
7,257,919	B1	8/2007	Farley		
7,383,657	B2	6/2008	Pikielny		

7,487,613 B2 2/2009 Taylor  
7,503,138 B2 3/2009 Tal et al.  
7,637,048 B2 12/2009 Tal et al.  
7,805,874 B2 10/2010 Tal et al.  
(Continued)

OTHER PUBLICATIONS

CN-305063282, posted at Orbit, publication date Mar. 12, 2019.  
Site visited Sep. 20, 2019. Available from Internet. (Year: 2019).\*  
(Continued)

*Primary Examiner* — Kathleen L Jones  
(74) *Attorney, Agent, or Firm* — Walter M. Egbert, III;  
Gerard M. Donovan; Reed Smith LLP

(57) **CLAIM**

I claim the ornamental design for a magazine loader, as shown and described.

**DESCRIPTION**

FIG. 1 is a front, top, left perspective view of the magazine loader.

FIG. 2 is a left side view of the magazine loader.

FIG. 3 is a right side view of the magazine loader.

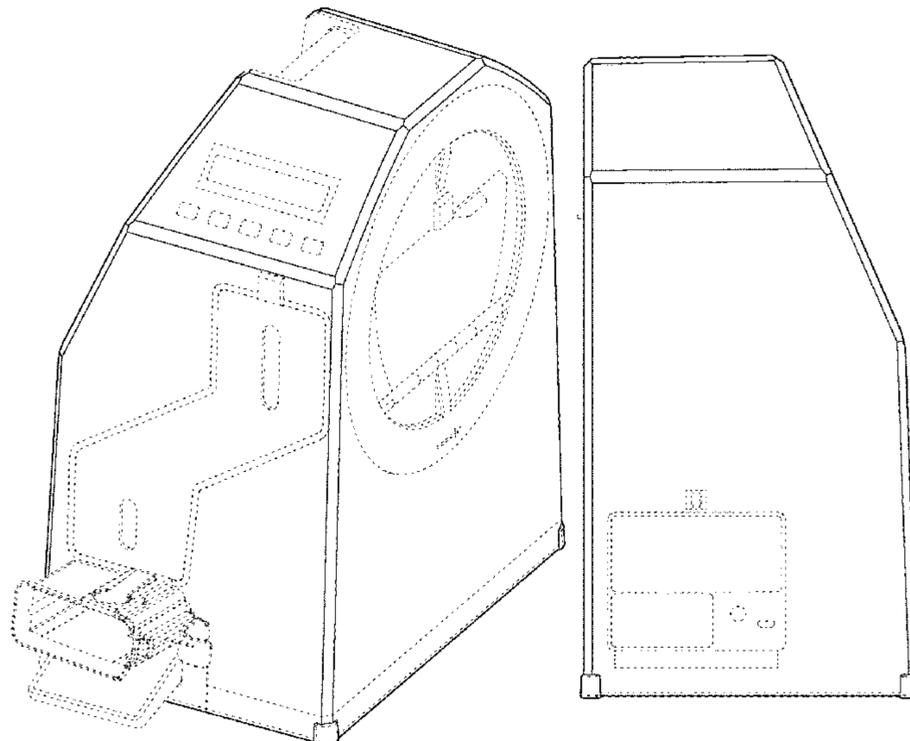
FIG. 4 is a front view of the magazine loader; and,

FIG. 5 is a rear view of the magazine loader.

The broken lines showing portions of the magazine loader form no part of the claimed design.

Surfaces adjacent any solid line edge, up to any fully-bordered broken line feature or region, form part of the claimed design; surfaces underlying the parallel broken line ribbon at the base of the article, as well as those surfaces underlying the broken line features of the bottom corner feet, form part of the claimed design; it is understood that the surfaces contained within the thin solid line edges, up to where any solid line edge terminates, form part of the claimed design.

**1 Claim, 5 Drawing Sheets**



(56)

References Cited

U.S. PATENT DOCUMENTS

8,065,830 B2 \* 11/2011 Twardy ..... F41A 9/83  
42/108

9,212,859 B1 12/2015 Tal et al.

9,239,198 B2 1/2016 McPhee

9,273,917 B1 3/2016 Buckner

9,347,722 B1 5/2016 Morris

9,976,826 B2 \* 5/2018 Hefer ..... F41A 9/83

D821,534 S \* 6/2018 Couie ..... D22/108

D836,178 S \* 12/2018 Hefer ..... D22/108

D839,376 S \* 1/2019 Hefer ..... D22/108

D847,292 S \* 4/2019 Hoff ..... D22/109

D848,567 S \* 5/2019 Soejima ..... D22/109

10,415,911 B2 \* 9/2019 Couie ..... F41A 9/83

10,527,376 B2 \* 1/2020 Slevin ..... F41A 9/83

D877,841 S \* 3/2020 Couie ..... D22/108

D909,528 S \* 2/2021 Jen ..... D22/108

2008/0184608 A1 \* 8/2008 Tal ..... F41A 9/83  
42/87

2012/0152221 A1 \* 6/2012 Meggs ..... F41A 9/83  
124/41.1

2018/0058785 A1 \* 3/2018 Hefer ..... F41A 9/83

2018/0363999 A1 \* 12/2018 Couie ..... F41A 9/84

2019/0226780 A1 \* 7/2019 Slevin ..... F41A 9/83

2021/0080206 A1 \* 3/2021 Fischer ..... F41A 9/83

OTHER PUBLICATIONS

CA-182519, posted at Orbit, publication date Aug. 14, 2019. Site visited Sep. 20, 2019. Available from Internet. (Year: 2019).\*

Butler Creek ASAP AR15 Electronic Magazine Loader, posted at Bass Pro Shops, reviewed 2019. Site visited Sep. 20, 2019. URL: <<https://www.basspro.com/shop/en/butler-creek-asap-ar15-electronic-magazine-loader>> (Year: 2019).\*

ADCO ST4 Super Thumb Magazine Loading Tool for RUGER 10/22 .22 LR ST4, posted at Ebay, reviewed Jan. 12, 2016. Site visited Sep. 20, 2019. URL: <<https://www.ebay.com/itm/ADCO-ST4-Super-Thumb-Magazine-Loading-Tool-for-RUGER-10-22-22-LR-ST4-/323671985827#rwid>> (Year: 2016).\*

Maglula LU17B Magazine Unloader, posted at Amazon, reviewed Aug. 23, 2017. Site visited Sep. 20, 2019. URL: <<https://www.amazon.com/Maglula-LU17B-Magazine-Unloader-Scorpion/dp/B06XWKKYCT>> (Year: 2017).\*

\* cited by examiner

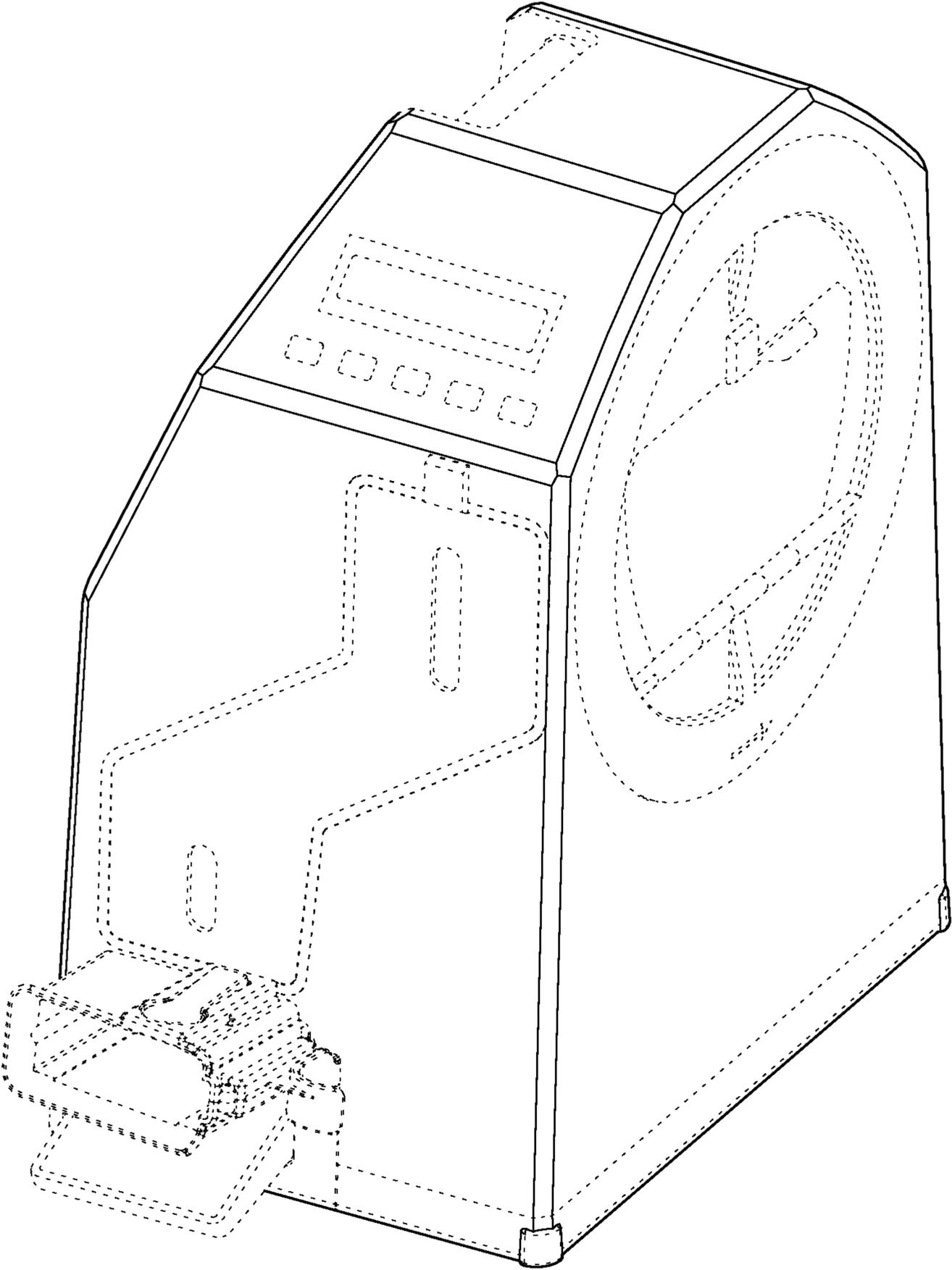


FIG. 1

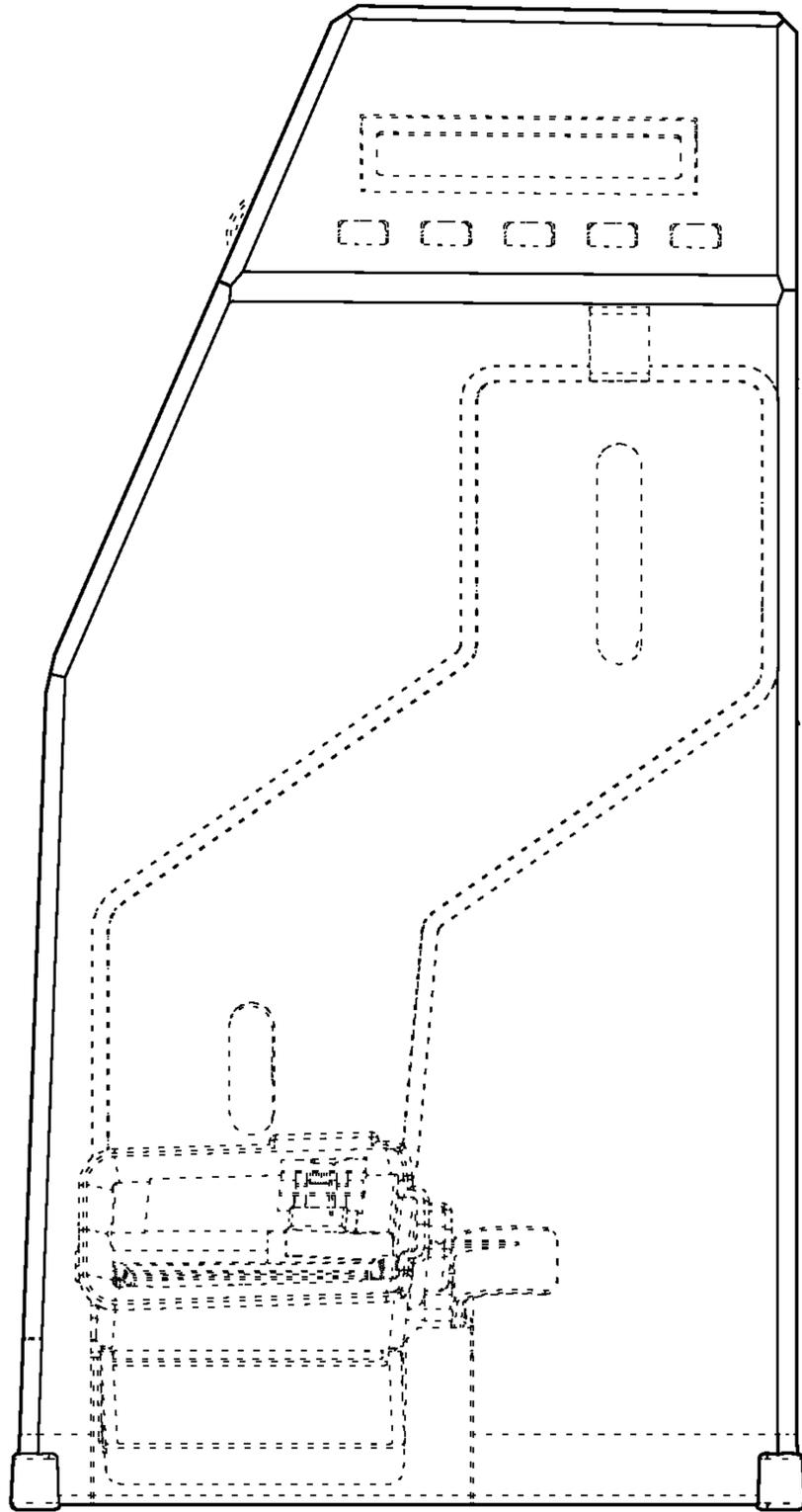


FIG. 2

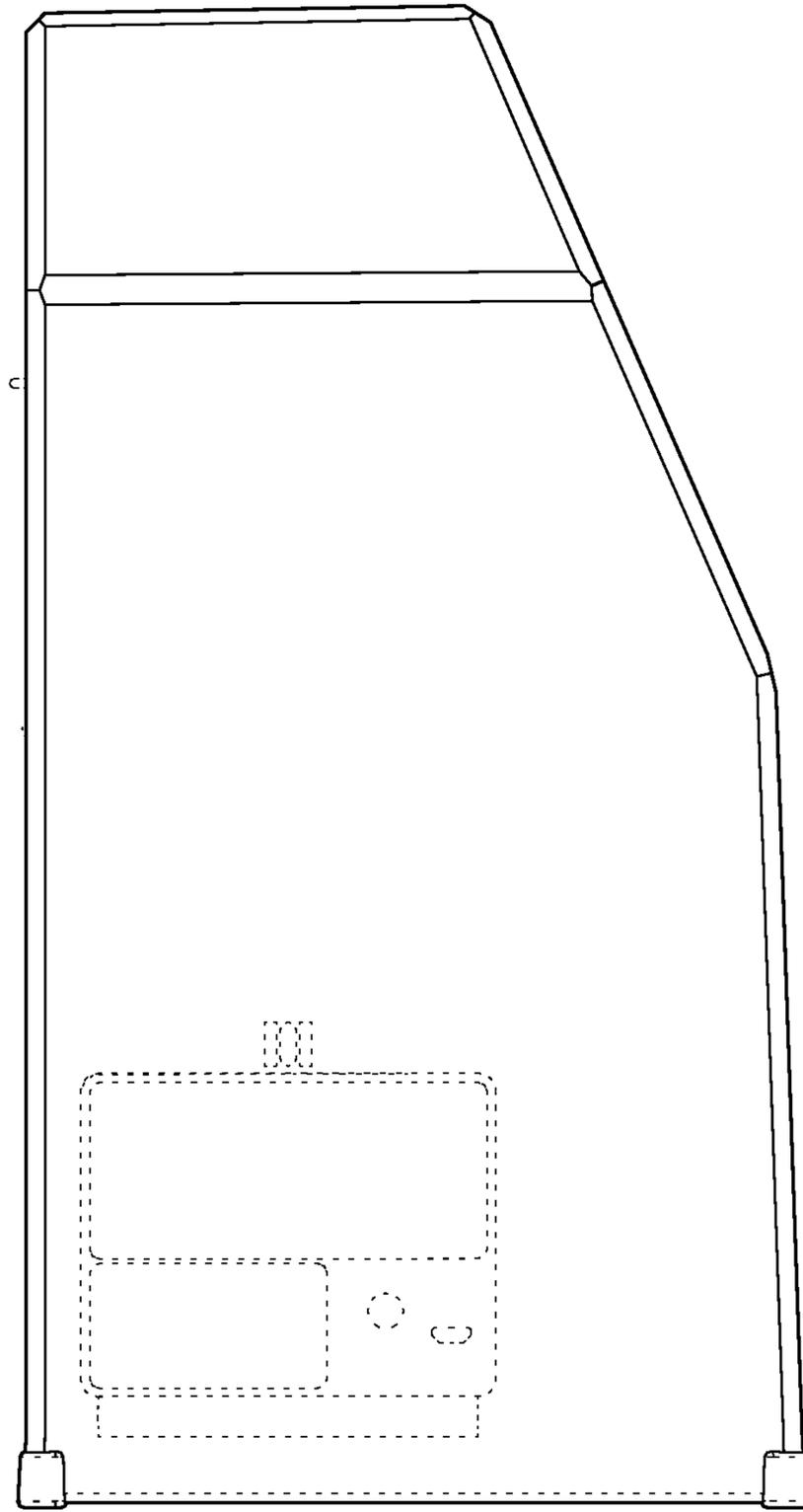


FIG. 3

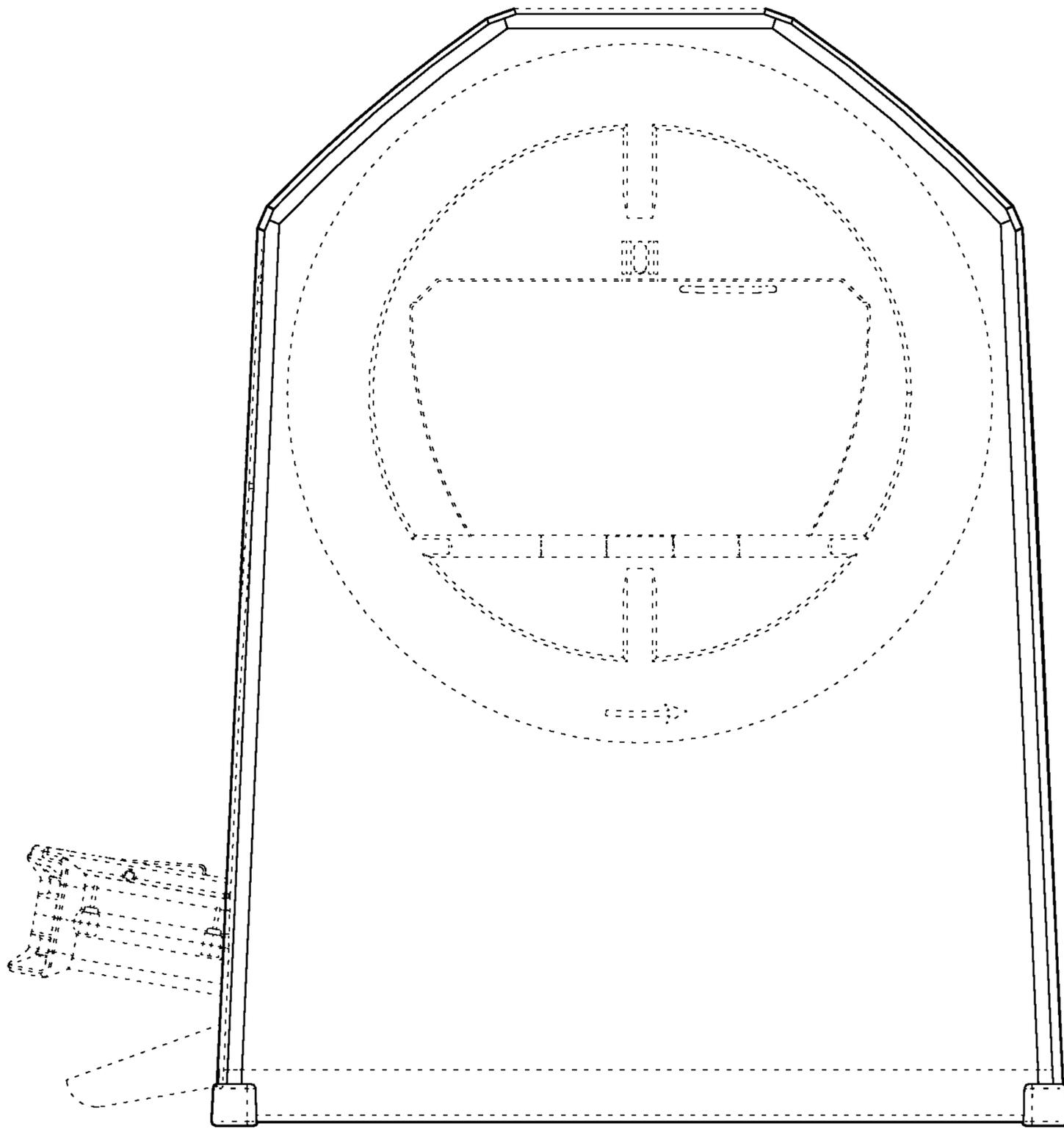


FIG. 4

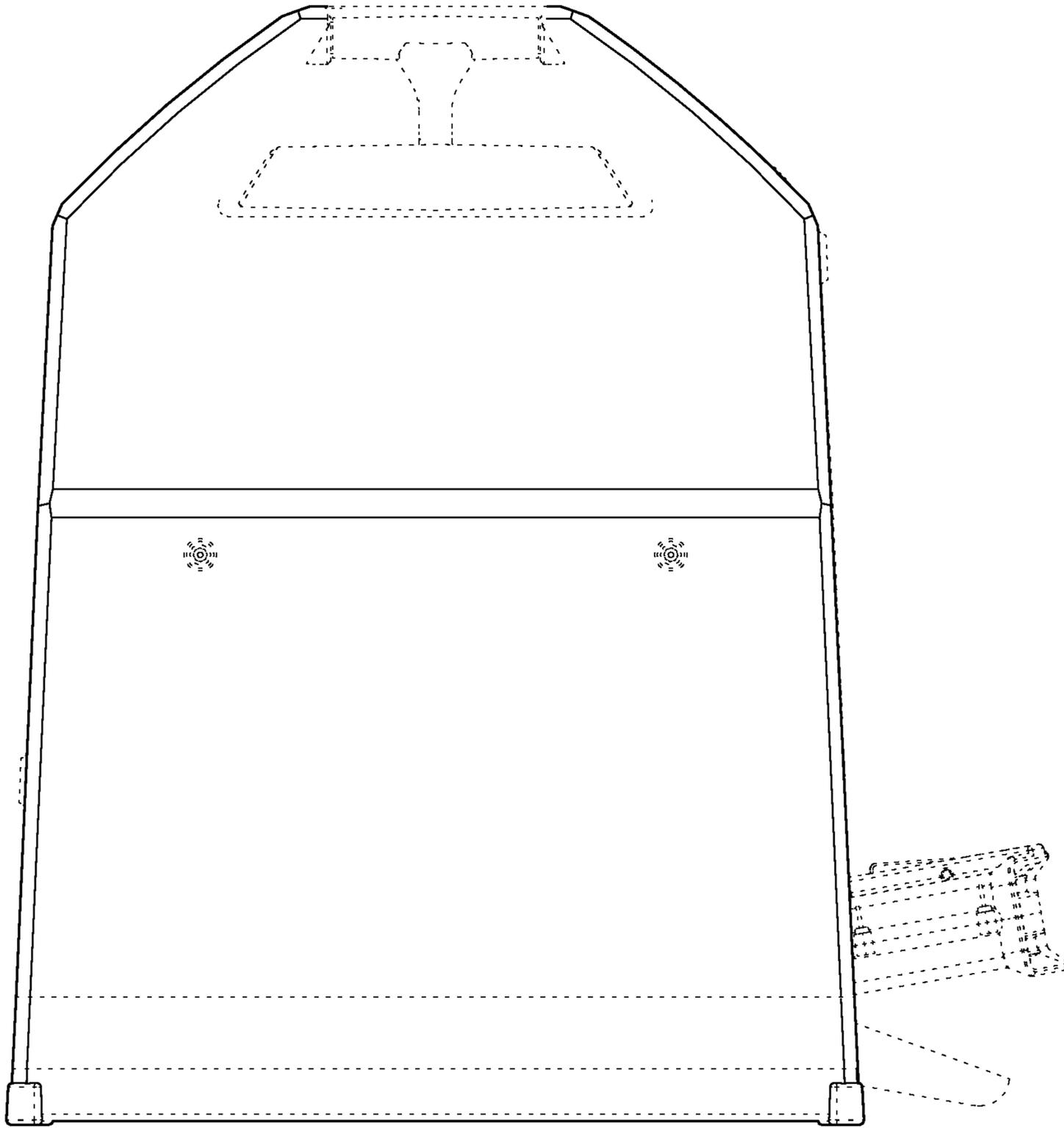


FIG. 5