



US00D937958S

(12) **United States Design Patent** (10) **Patent No.:** **US D937,958 S**
Marino (45) **Date of Patent:** **** Dec. 7, 2021**

(54) **GOLF APPARATUS**
(71) Applicant: **Robert Marino**, Hazlet, NJ (US)
(72) Inventor: **Robert Marino**, Hazlet, NJ (US)
(**) Term: **15 Years**

2002/0183138 A1 12/2002 Malcolm
2003/0084911 A1 5/2003 McGraw
2003/0195060 A1 10/2003 Wood
2004/0029653 A1* 2/2004 Whitehill A63B 57/0037
473/386
2006/0157071 A1 6/2006 Sheffield
(Continued)

(21) Appl. No.: **29/728,500**
(22) Filed: **Mar. 19, 2020**
(51) **LOC (13) Cl.** **21-02**
(52) **U.S. Cl.**
USPC **D21/796**
(58) **Field of Classification Search**
USPC D21/789, 791, 796, 717-718
CPC A63B 57/00-207
See application file for complete search history.

FOREIGN PATENT DOCUMENTS

AT 511894 T 6/2011
AU 727651 B3 12/2000
(Continued)

Primary Examiner — Mitchell I. Siegel
(74) *Attorney, Agent, or Firm* — Brian K. Johnson, Esq.,
LLC

(57) **CLAIM**

The ornamental design for golf apparatus, as shown and described.

(56) **References Cited**

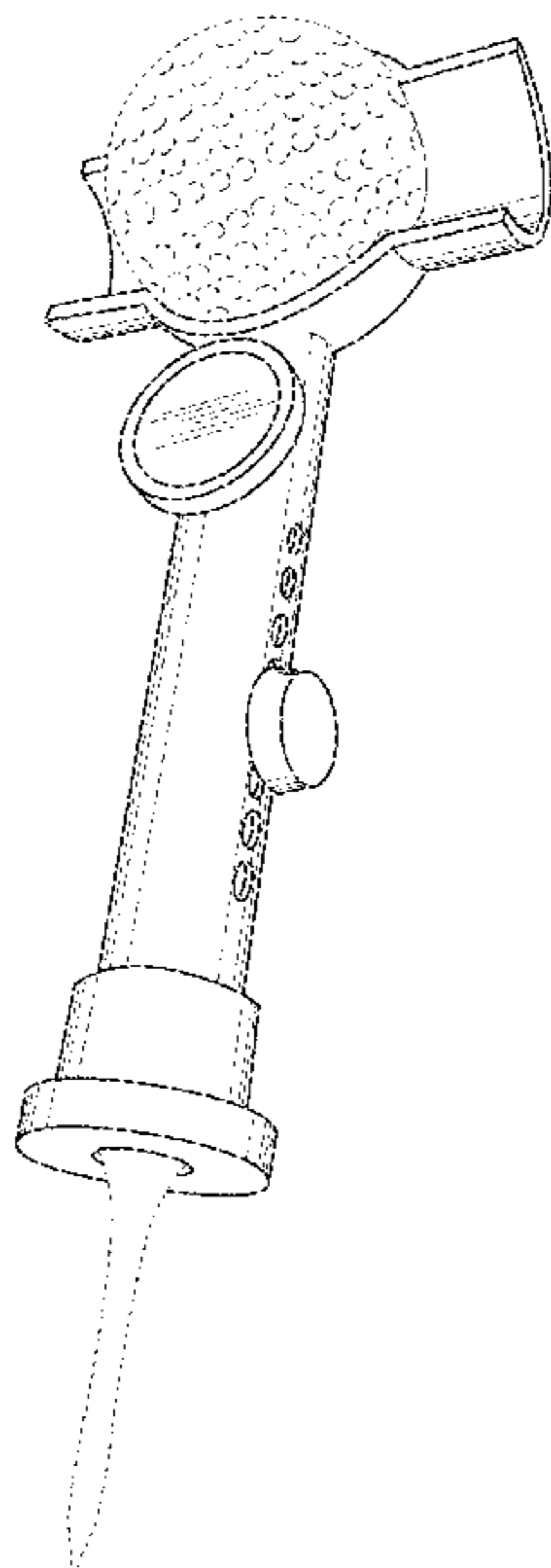
U.S. PATENT DOCUMENTS

3,671,036 A 6/1972 Rubino
3,671,037 A 6/1972 Murdock, Jr.
4,660,837 A * 4/1987 Bressie A63B 57/0037
473/386
5,503,394 A 4/1996 Mauck et al.
5,588,448 A 12/1996 Photakis
5,645,498 A 7/1997 Cretella
5,885,174 A 3/1999 Barnes
5,909,735 A 6/1999 Knudsen
6,234,179 B1 5/2001 Alcaraz
6,273,833 B1 8/2001 Murphy
D460,797 S * 7/2002 Raeburn D21/718
6,887,169 B2 5/2005 Whitehill et al.
7,468,008 B2 12/2008 Shin
7,549,937 B2 6/2009 Irwin
7,815,529 B2 10/2010 Lee
8,616,994 B2 12/2013 Kwon et al.
8,951,149 B1 * 2/2015 Gorman A63B 57/0037
473/386
9,192,195 B2 11/2015 Dolciato
D907,736 S * 1/2021 Harrison D21/789

DESCRIPTION

A portion of the disclosure of this patent document contains material, to which a claim for copyright is made. The copyright owner has no objection to the facsimile reproduction by anyone of the patent document or the patent disclosure, as it appears in the Patent and Trademark Office patent file or records, but reserves all other copyrights whatsoever. FIG. 1 oblique view thereof
FIG. 2 is a front view thereof
FIG. 3 is a back view thereof
FIG. 4 is a left view thereof
FIG. 5 is a right view thereof
FIG. 6 is a top view thereof
FIG. 7 is a bottom view thereof; and,
FIG. 8 is another oblique view thereof.
The broken line showing the golf ball and tee forms no part of the claimed design.

1 Claim, 5 Drawing Sheets



(56)

References Cited

U.S. PATENT DOCUMENTS

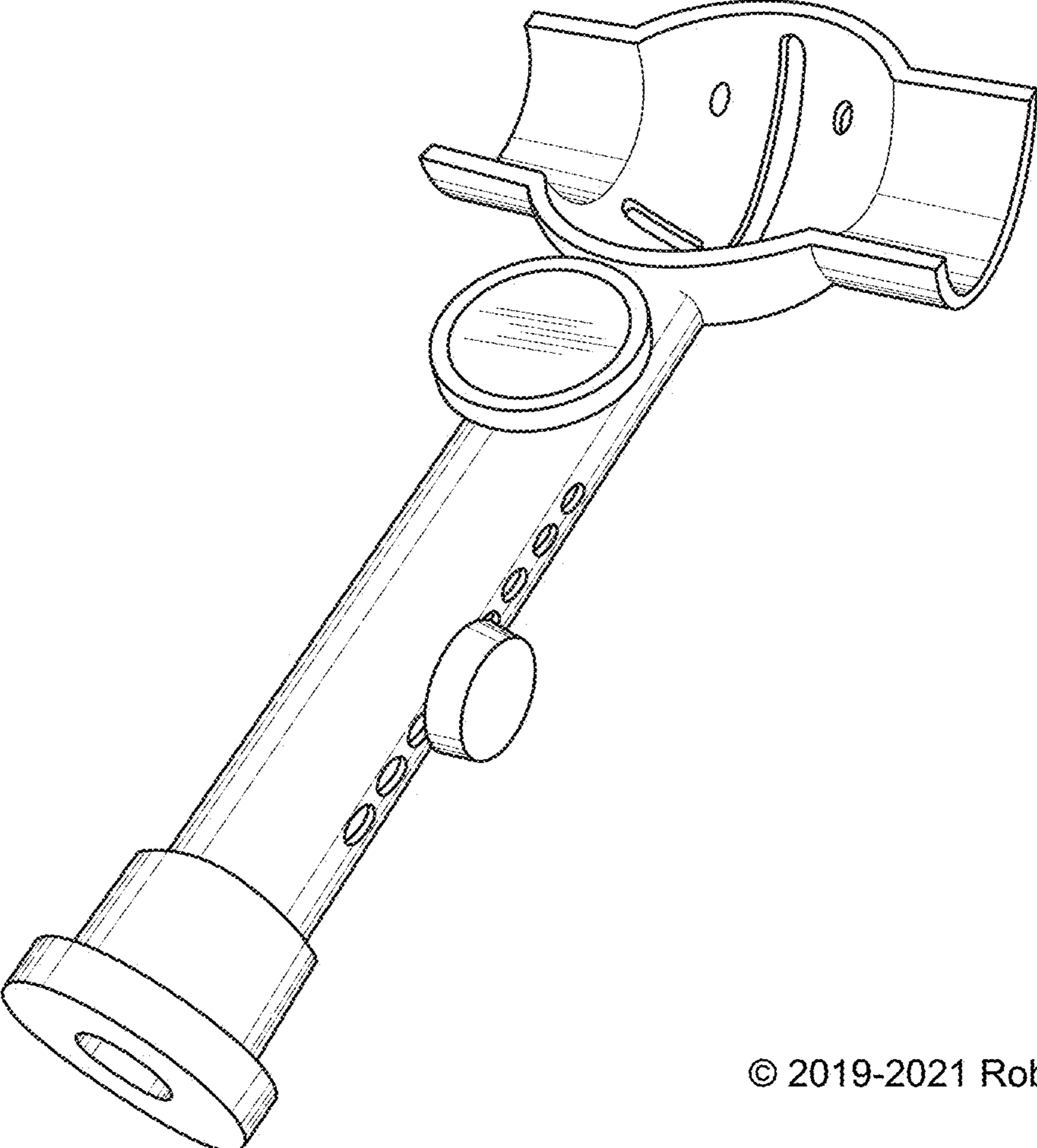
2007/0184919 A1 8/2007 Costantini
 2007/0293353 A1* 12/2007 Irwin A63B 57/0037
 473/386
 2007/0293354 A1* 12/2007 Irwin A63B 57/00
 473/386
 2008/0070723 A1 3/2008 Godlove, II
 2008/0132360 A1 6/2008 Shin
 2009/0258732 A1* 10/2009 Lee A63B 57/15
 473/398
 2011/0253154 A1 10/2011 Dolciato
 2016/0052462 A1 2/2016 Heilgendorf
 2016/0100629 A1 4/2016 Meeks

FOREIGN PATENT DOCUMENTS

AU 1946501 A 8/2002
 CA 2527026 A1 5/2004
 CN 201783159 U 4/2011
 CN 102371058 A 3/2012
 DE 202005011456 U1 11/2005
 EP 2108409 A1 10/2009

EP 2108409 B1 6/2011
 GB 2464715 A 4/2010
 GB 0819492 9/2013
 GB 819492 9/2013
 JP 06005656 U 1/1994
 JP 06005657 U 1/1994
 JP 06009670 U 2/1994
 JP 2011087874 A 5/2011
 JP 4795450 B2 8/2011
 KR 200319952 Y1 7/2003
 KR 200327662 Y1 9/2003
 KR 1020060001841 A 1/2006
 KR 200407724 Y1 2/2006
 KR 100623914 B1 9/2006
 KR 1020080051001 A 6/2008
 KR 100928704 B1 11/2009
 KR 1020140091244 A 7/2014
 KR 101931575 B1 12/2018
 KR 2020140003817 U 6/2019
 WO WO0139848 A1 6/2001
 WO WO2004064931 A3 8/2004
 WO WO2004064931 A2 10/2004
 WO WO2005120657 A1 12/2005
 WO WO2010043227 A2 4/2010

* cited by examiner



© 2019-2021 Robert Marino

FIG. 1

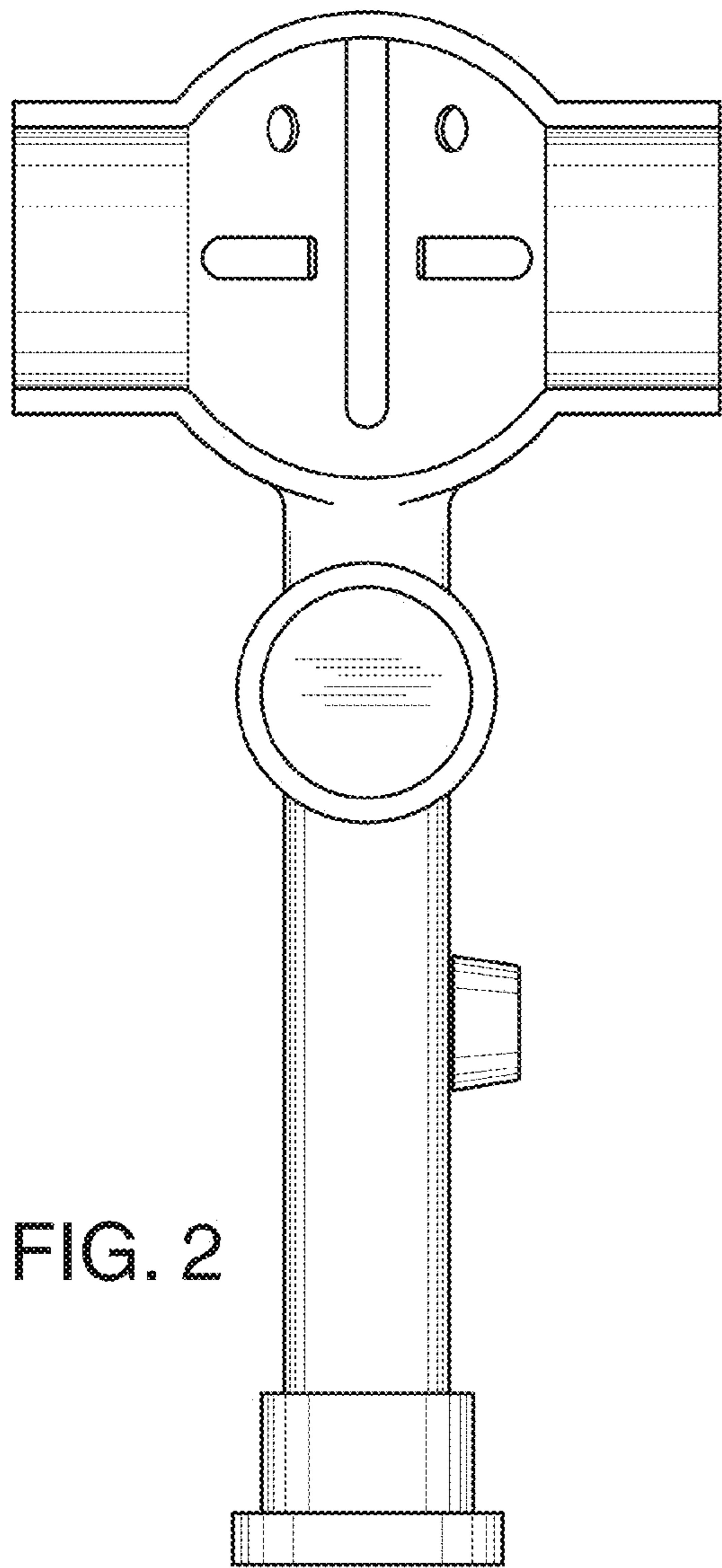


FIG. 2

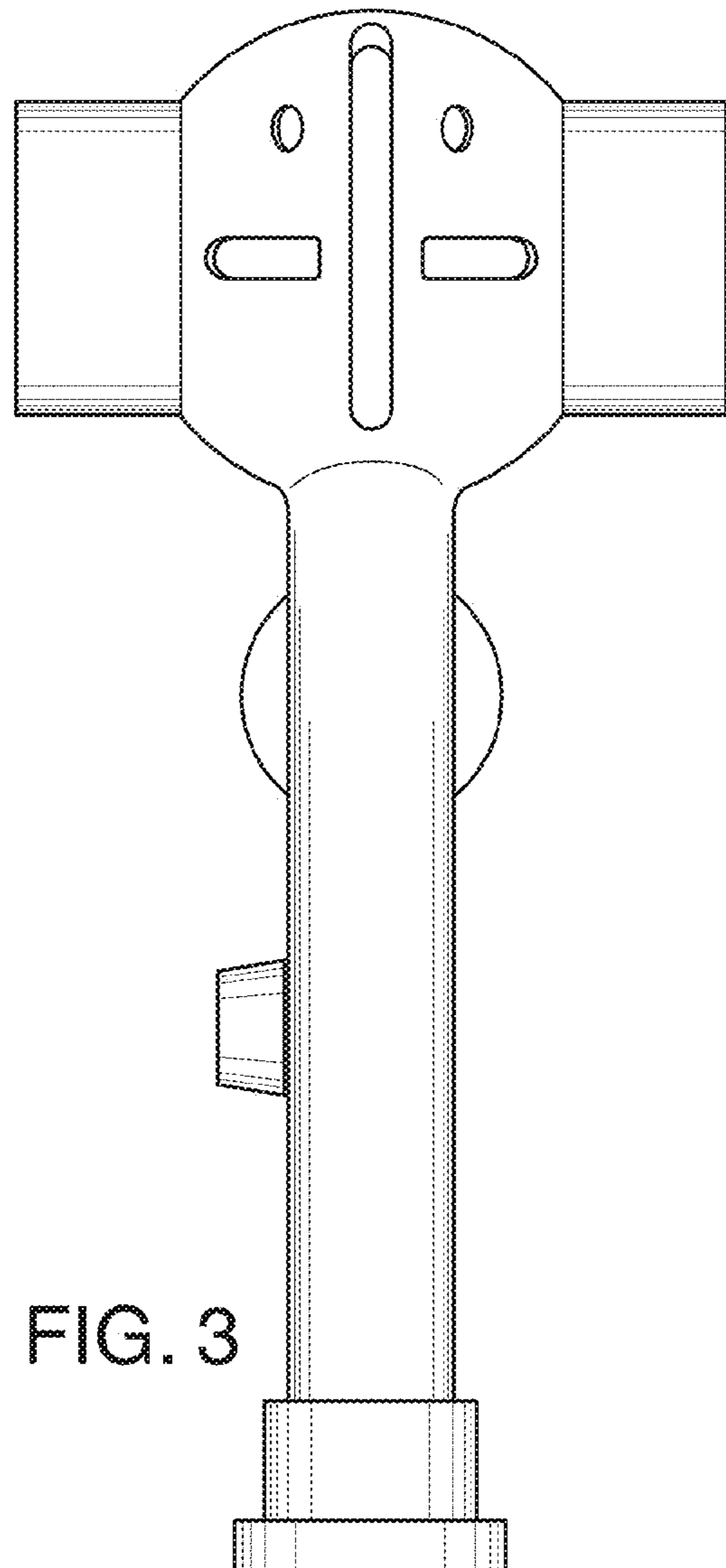


FIG. 3

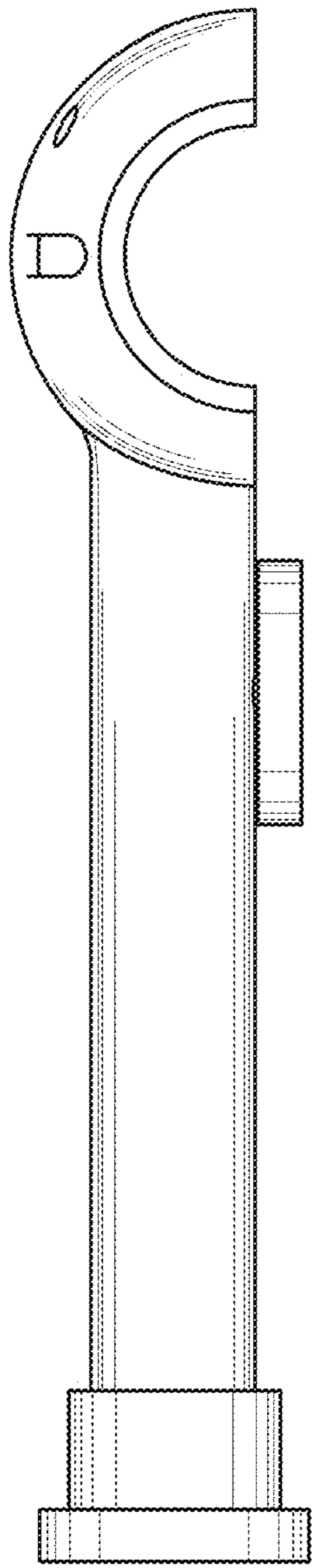


FIG. 4

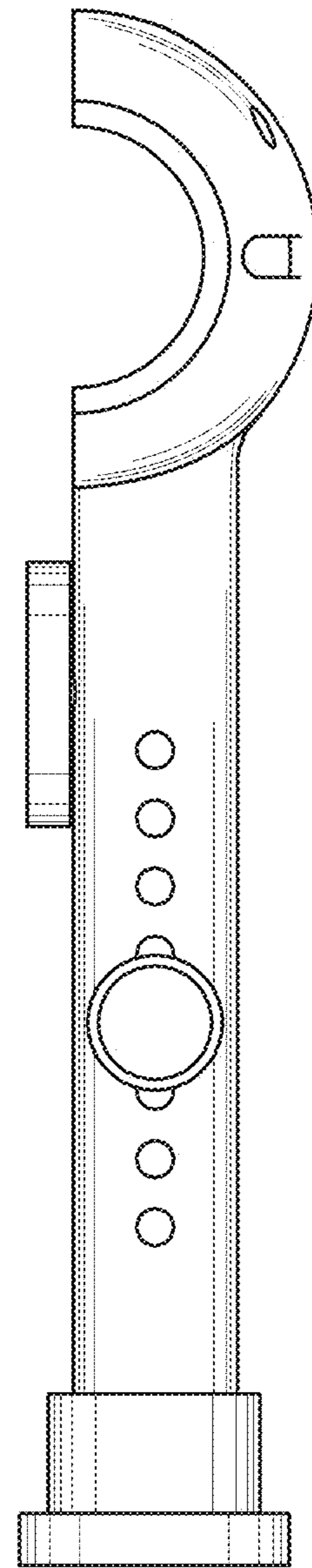


FIG. 5

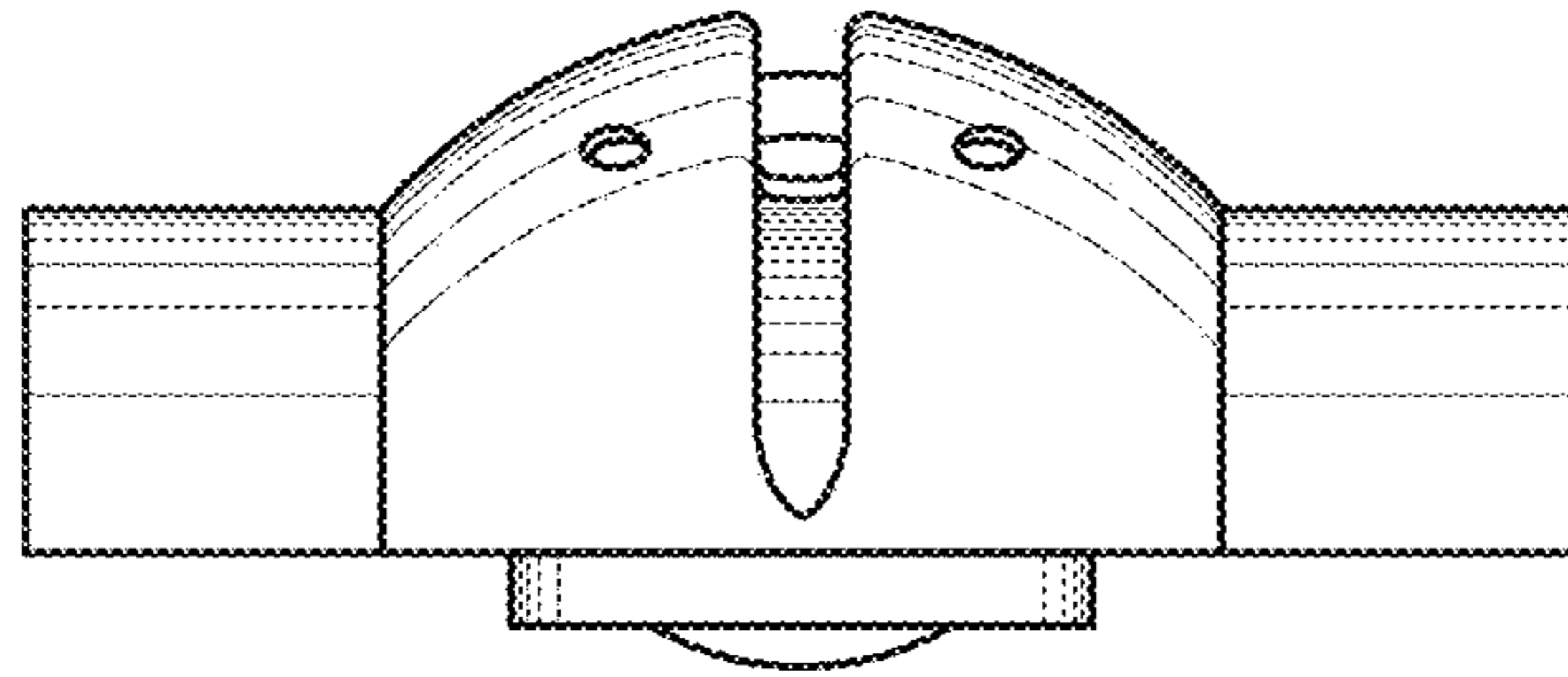


FIG. 6

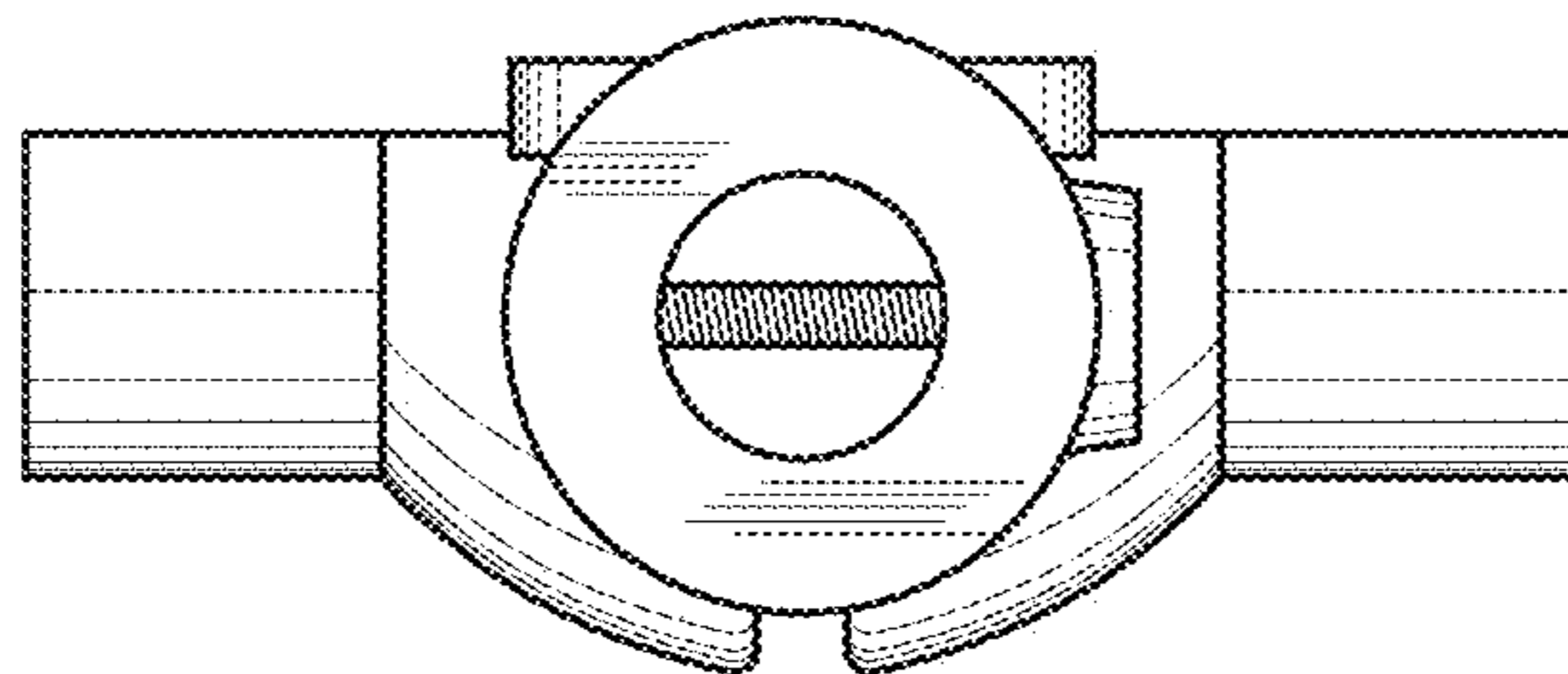


FIG. 7

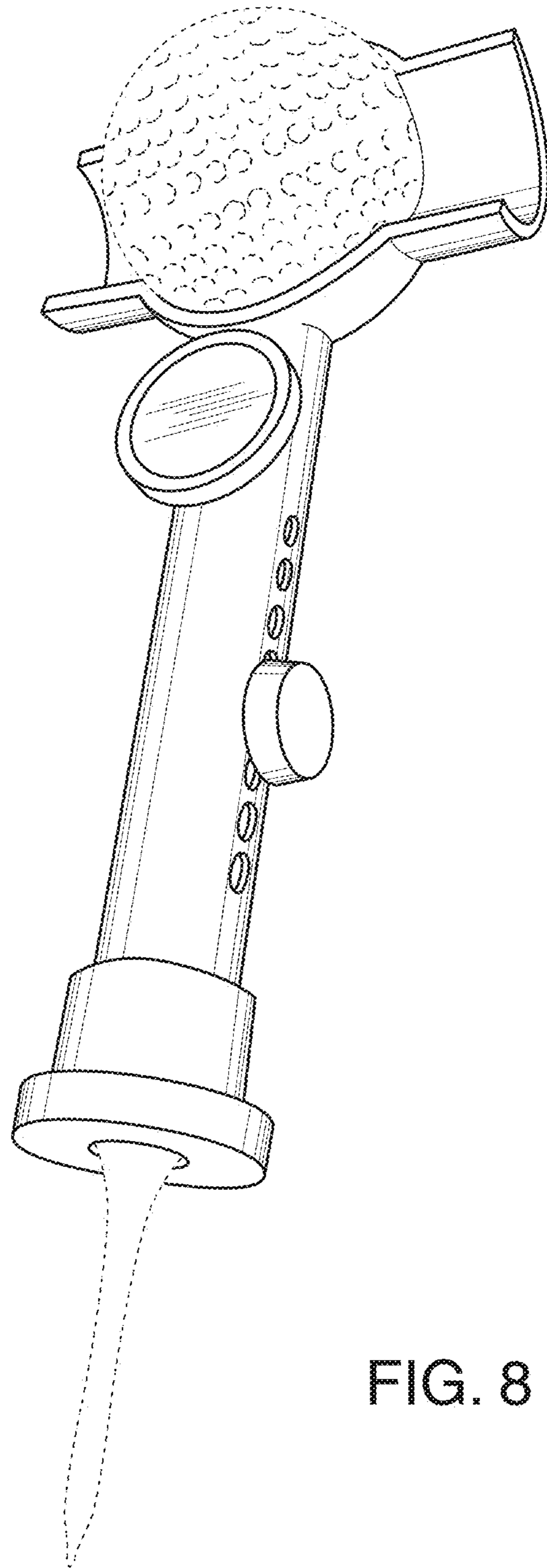


FIG. 8