



US00D937954S

(12) **United States Design Patent** (10) **Patent No.:** **US D937,954 S**
Eldridge et al. (45) **Date of Patent:** **** Dec. 7, 2021**

(54) **BALL MARKER AND HOLDER**
(71) Applicant: **Snaps Ventures Inc.**, New York, NY (US)
(72) Inventors: **Matthew Ryan Eldridge**, Moncton (CA); **Luis Brualla**, Madrid (ES)
(73) Assignee: **Snaps Ventures Inc.**, Jupiter, FL (US)

5,418,981 A 5/1995 Miner
5,499,402 A 3/1996 Rose
5,533,213 A 7/1996 Reiner et al.
D373,454 S 9/1996 Ramirez
D375,827 S 11/1996 Will
5,600,855 A 2/1997 Ramirez

(Continued)

FOREIGN PATENT DOCUMENTS

EM DM/093473 4/2017
EM DM/099239 1/2018

(Continued)

(**) Term: **15 Years**
(21) Appl. No.: **29/721,715**

(22) Filed: **Jan. 22, 2020**
(51) **LOC (13) Cl.** **21-02**
(52) **U.S. Cl.**
USPC **D21/796**; D2/891
(58) **Field of Classification Search**
USPC D21/789, 793, 794, 796; D2/891
CPC A63B 57/353; A63B 57/207; A63B 57/00;
A63B 57/35; A63B 57/30; A63B 57/50;
A42B 1/02; A42B 1/00; A42B 1/22;
A42B 1/225
See application file for complete search history.

OTHER PUBLICATIONS

U.S. Appl. No. 29/721,714, filed Jan. 22, 2020, Eldridge et al.
(Continued)

Primary Examiner — Mitchell I. Siegel
(74) *Attorney, Agent, or Firm* — Wolf, Greenfield & Sacks, P.C.

(57) **CLAIM**

The ornamental design for a ball marker and holder, as shown and described.

DESCRIPTION

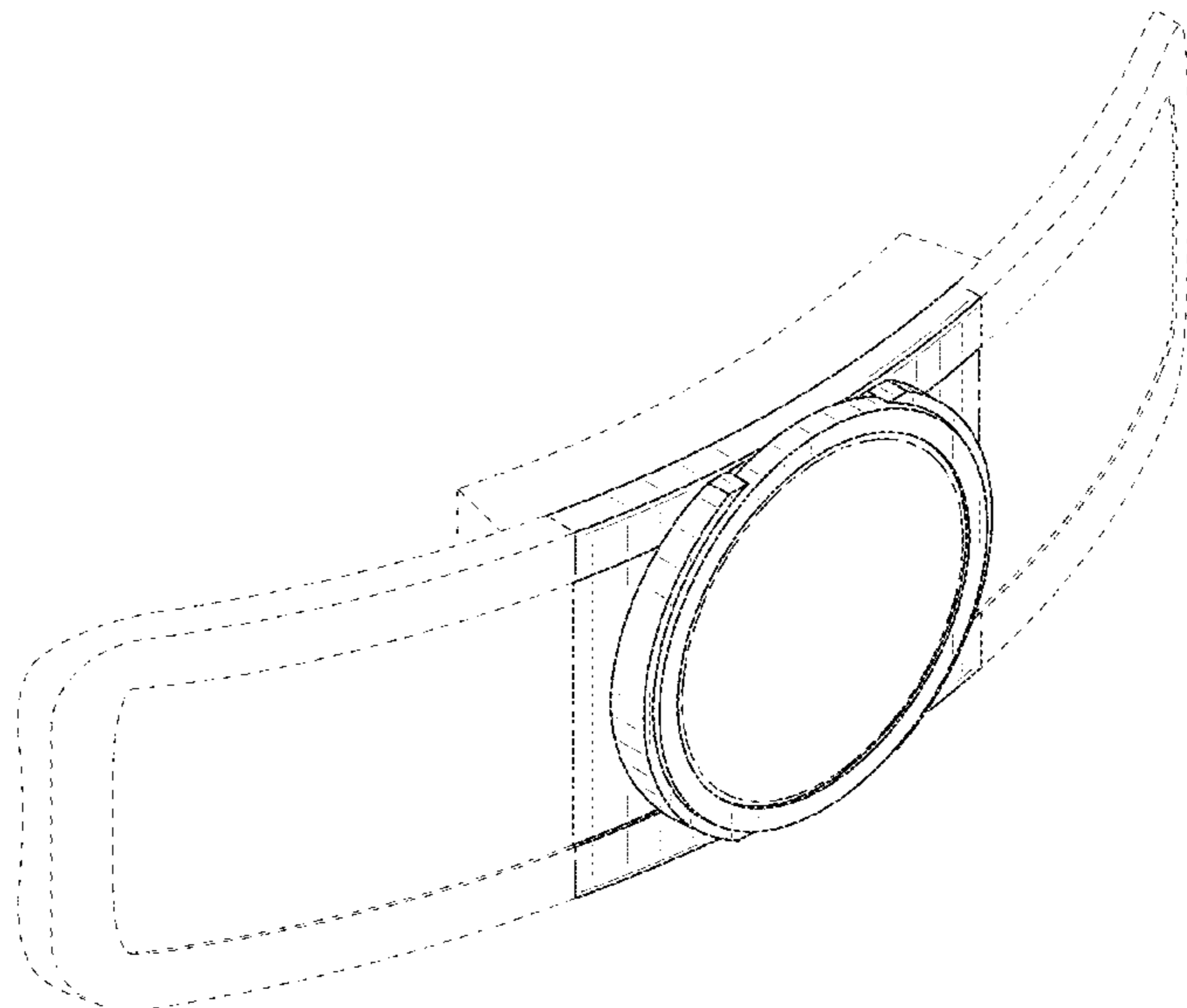
FIG. 1 is a top, front, and left side perspective view of a ball marker and holder according to our new design; FIG. 2 is a front elevation view thereof; FIG. 3 is a rear elevation view thereof; FIG. 4 is a bottom plan view thereof; FIG. 5 is a top plan view thereof; FIG. 6 is a right side elevation view thereof; and, FIG. 7 is a left side elevation view thereof. The dot-dash broken lines represent boundaries of the claimed design and form no part of the claimed design. The dash-dash broken lines depict portions of the ball marker and holder that form no part of the claimed design.

(56) **References Cited**

U.S. PATENT DOCUMENTS

1,053,974 A 2/1913 Cohen
1,236,654 A 8/1917 Baltzley
2,181,446 A 11/1939 Ames
2,737,220 A 3/1956 Hoff
D252,289 S * 7/1979 Furin D21/794
D254,845 S 4/1980 Young
D272,754 S * 2/1984 Brewer D21/791
4,776,043 A 10/1988 Coleman
5,003,640 A 4/1991 Pizzacar
5,135,220 A * 8/1992 Baldoni A63B 57/207
473/406
5,165,190 A 11/1992 Smyth
D343,372 S 1/1994 Ferré
5,315,714 A 5/1994 Peters et al.

1 Claim, 4 Drawing Sheets



(56)

References Cited

U.S. PATENT DOCUMENTS

5,632,047 A 5/1997 Van Den Heuvel
 D412,937 S 8/1999 Franklin
 5,934,530 A * 8/1999 Antczak A63B 55/408
 224/197
 5,997,662 A 12/1999 Norio
 6,021,525 A 2/2000 Mertins
 6,185,750 B1 2/2001 Dumas
 6,209,766 B1 * 4/2001 Kwon A63B 57/20
 224/269
 D486,862 S 2/2004 Coe
 6,729,058 B2 5/2004 Ferguson
 D497,858 S 11/2004 Fabian
 6,871,486 B2 3/2005 Moehnke et al.
 D535,346 S * 1/2007 Gibson D21/794
 D540,902 S * 4/2007 Regalado D21/794
 D579,194 S 10/2008 Caylor
 D591,934 S 5/2009 Gore
 D601,792 S 10/2009 Kennedy
 D605,381 S 12/2009 Mastrantonio et al.
 D613,638 S 4/2010 Jorst et al.
 D627,146 S 11/2010 Kantor et al.
 D635,336 S 4/2011 Alger
 D637,106 S 5/2011 Babyak
 D638,964 S 5/2011 Cappuccio
 D645,211 S 9/2011 Hill
 D645,231 S 9/2011 Perry
 D667,212 S 9/2012 Reilly
 D675,695 S * 2/2013 Wallen D21/796
 8,573,773 B1 11/2013 Acosta
 D695,454 S 12/2013 Moore
 D724,479 S 3/2015 Cerrato
 D724,487 S 3/2015 Dighton et al.
 D729,502 S 5/2015 Aldridge
 D737,564 S 9/2015 Hamilton et al.
 D741,972 S * 10/2015 McDevitt D21/794
 9,198,483 B2 12/2015 Adams et al.
 D757,402 S 5/2016 White
 D757,403 S 5/2016 Skinner
 D761,001 S 7/2016 Kouns et al.
 D770,733 S 11/2016 Hwang
 D771,914 S 11/2016 Cho
 D774,283 S 12/2016 Rollins
 D778,767 S 2/2017 Nicolas
 D781,852 S * 3/2017 Yu D14/344
 D793,675 S 8/2017 Gates
 D801,644 S 11/2017 Zenoff
 10,037,642 B2 * 7/2018 Padgett H04W 12/06
 D838,941 S 1/2019 Leatherman
 D865,334 S 11/2019 Kang
 D895,937 S * 9/2020 Eldridge D2/891
 D895,938 S * 9/2020 Eldridge D2/891
 D914,821 S * 3/2021 Leposky D21/794
 D917,841 S * 5/2021 Eldridge D2/891
 D919,938 S * 5/2021 Eldridge D2/891
 D919,939 S * 5/2021 Eldridge D2/891
 2002/0042941 A1 4/2002 Grundy
 2002/0108165 A1 8/2002 Porter et al.
 2004/0064871 A1 4/2004 Schlapkohl
 2004/0069916 A1 * 4/2004 Cohen G09F 7/04
 248/230.8
 2008/0104801 A1 5/2008 Yeh

2008/0109940 A1 * 5/2008 Van Den Heuvel ... A42B 1/248
 2/209.12
 2013/0020367 A1 * 1/2013 Buckley A63B 57/353
 224/584
 2013/0111650 A1 5/2013 Hong
 2017/0027250 A1 2/2017 Paquette
 2019/0142096 A1 5/2019 Skinner
 2019/0313724 A1 10/2019 Jackson
 2021/0128997 A1 * 5/2021 Kubas A63B 57/207

FOREIGN PATENT DOCUMENTS

JP D1606101 S 6/2018
 WO WO 2018/217186 A1 11/2018

OTHER PUBLICATIONS

U.S. Appl. No. 29/721,716, filed Jan. 22, 2020, Eldridge et al.
 U.S. Appl. No. 29/721,719, filed Jan. 22, 2020, Eldridge et al.
 U.S. Appl. No. 29/721,718, filed Jan. 22, 2020, Eldridge et al.
 U.S. Appl. No. 29/728,994, filed Mar. 23, 2020, Eldridge et al.
 [No Author Listed] Photograph of Snaps Crisp Collection Gold Crown. Facebook. <https://www.facebook.com/snaps.ltd/photos/a.1151668998318962/1168036280015567/?type=3>. Dated Nov. 18, 2018, 1 page.
 [No Author Listed] Product Listing for 1" Magnetic Metal Golf Ball Marker "New Superman". Venchinni Fashion, http://venchinni.com.3dcartstores.com/1-Magnetic-Metal-Golf-Ball-Marker-New-Superman-_p_189.html. 3 pages.
 [No Author Listed] Product listing for Board Man Gets Paid. Snaps. <https://snaps.ltd/collections/nbaa-crisp/products/pre-order-now-board-man-gets-paid-limited-quantities>. 1 page.
 [No Author Listed] Product Listing for Collegiate Hat Clip & 2 Ball Markers. Amazon.com. https://www.amazon.com/Team-Effort-State-Buckeyes-Markers/dp/B000TZZTNY?ref=Oct_TopRatedC_3411031_5&pf_rd_p=189b97da-51f6-5be5-89b3-cd4790dd8558&pf_rd_s=merchandised-search-6&pf_rd_t=101&pf_rd_i=3411031&pf_rd_m=ATVPDKIKX0DER&pf_rd_r=2TK4JT4CWTMH5VGCFYYJ&pf_rd_r=2TK4JT4CWTMH5VGCFYYJ&pf_rd_p=189b97da-51f6-5be5-89b3-cd4790dd8558f. 6 pages.
 [No Author Listed] Product Listing for PC201 Poker Chip w/ Removable Ball Marker. Golf Specialties. <https://www.golfspecialties.com/PC201-Poker-Chip-Ball-Marker-Custom-p/pc201.htm>. 7 pages.
 [No Author Listed] Product Listing for Personalized Golf Ball Marker | Magnetic Golf Ball Marker | Hand Stamped Ball Marker. The Landlocked Dog. <https://landlockeddog.com/products/personalized-golf-ball-marker-magnetic-golf-ball-marker-hand-stamped-ball-marker>. 6 pages.
 [No Author Listed] Product Listing for PINMEI Magnetic Standard Golf Ball Mark Hat Clip. Amazon.com. https://www.amazon.com/PINMEI-Magnetic-Standard-Golf-Ball/dp/B0794SRDSM?ref=Oct_RASinC_Ajax_3411031_0&pf_rd_r=2TK4JT4CWTMH5VGCFYYJ&pf_rd_p=189b97da-51f6-5be5-89b3-cd4790dd8558f&pf_rd_s=merchandised-search-6&pf_rd_t=101&pf_rd_i=3411031&pf_rd_m=ATVPDKIKX0DER. 5 pages.
 [No Author Listed] Screenshot of SNAPS Facebook page. Facebook.com. <https://www.facebook.com/snaps.ltd>. 1 page.

* cited by examiner

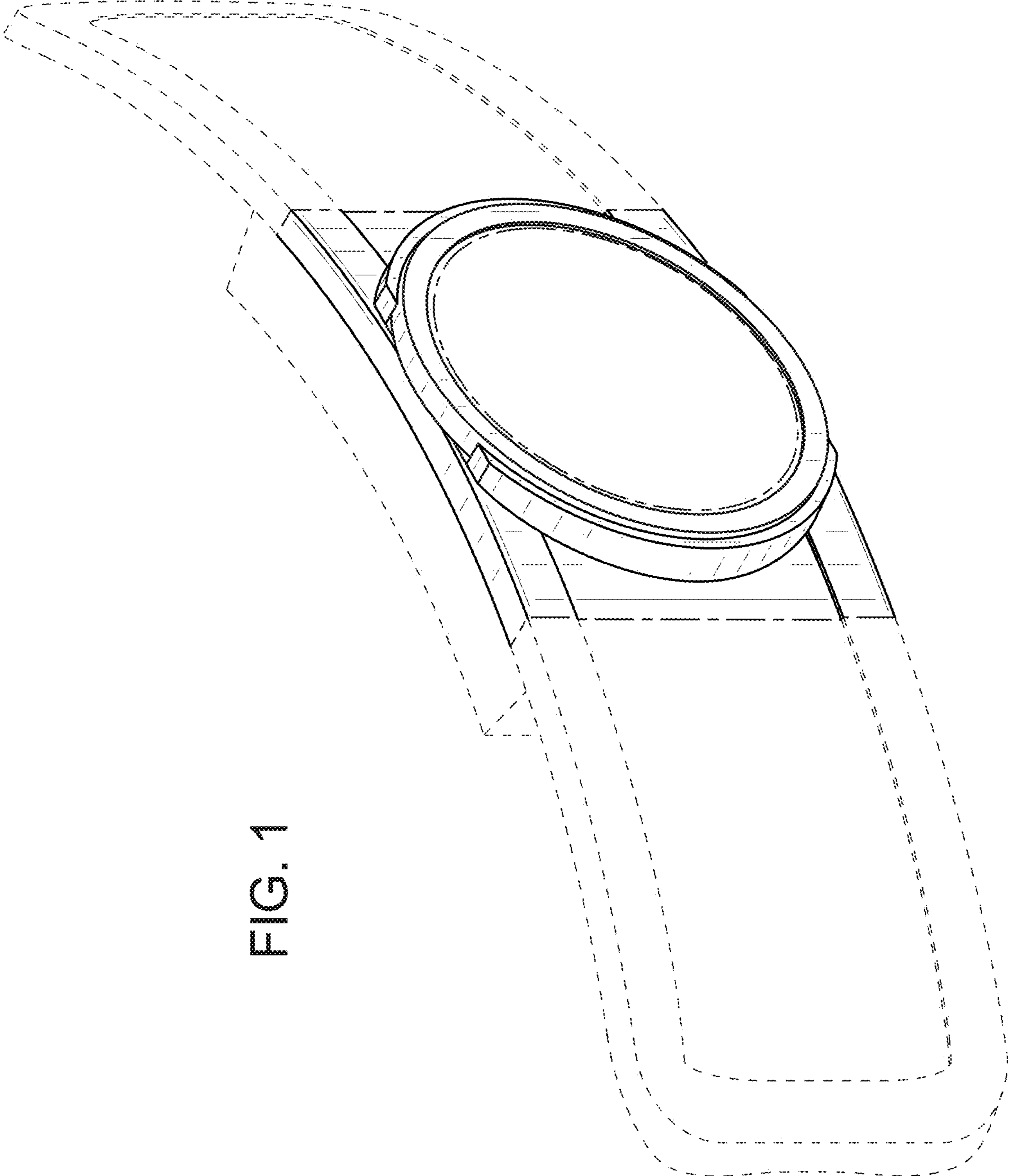


FIG. 1

FIG. 2

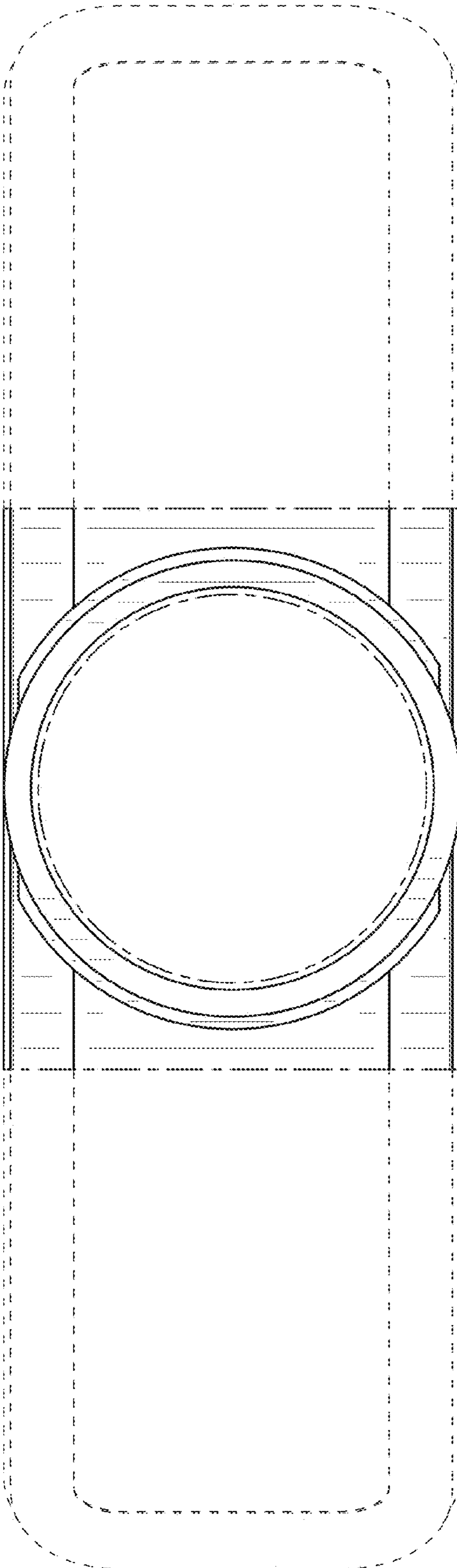
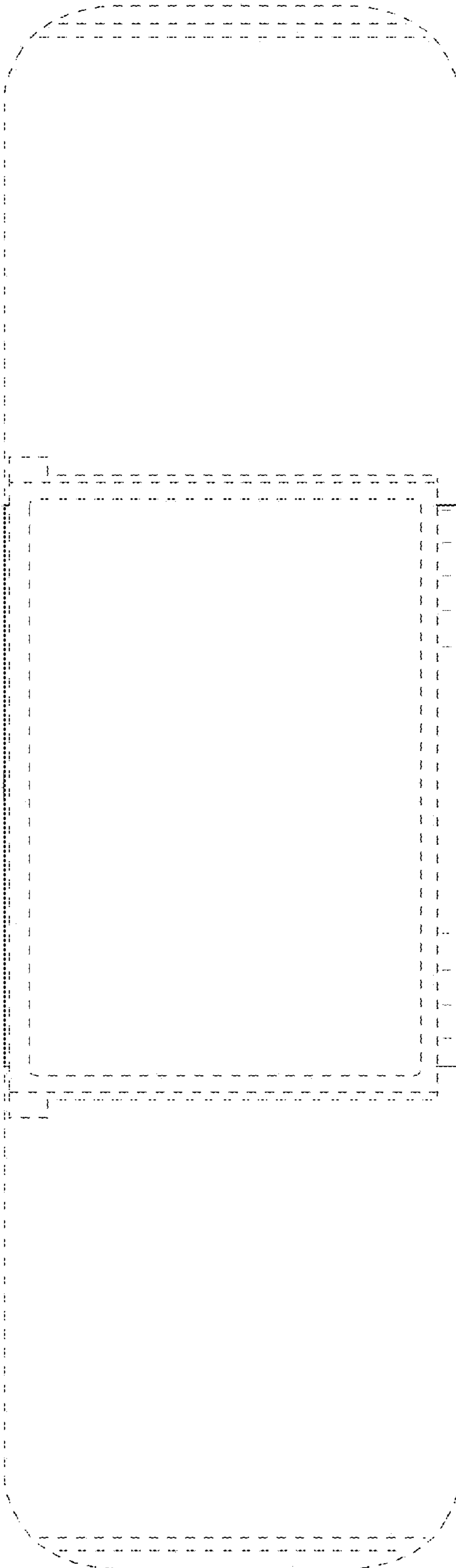


FIG. 3



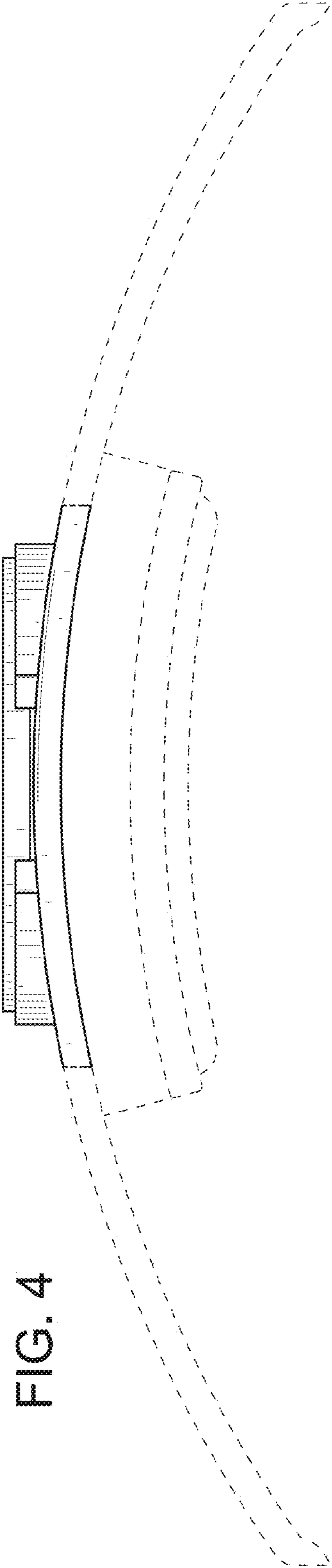


FIG. 4

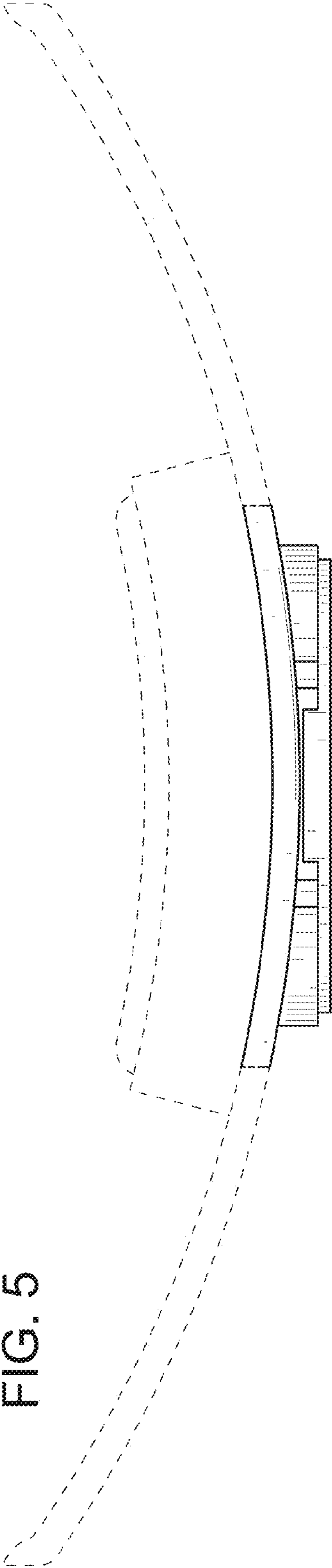


FIG. 5

FIG. 6

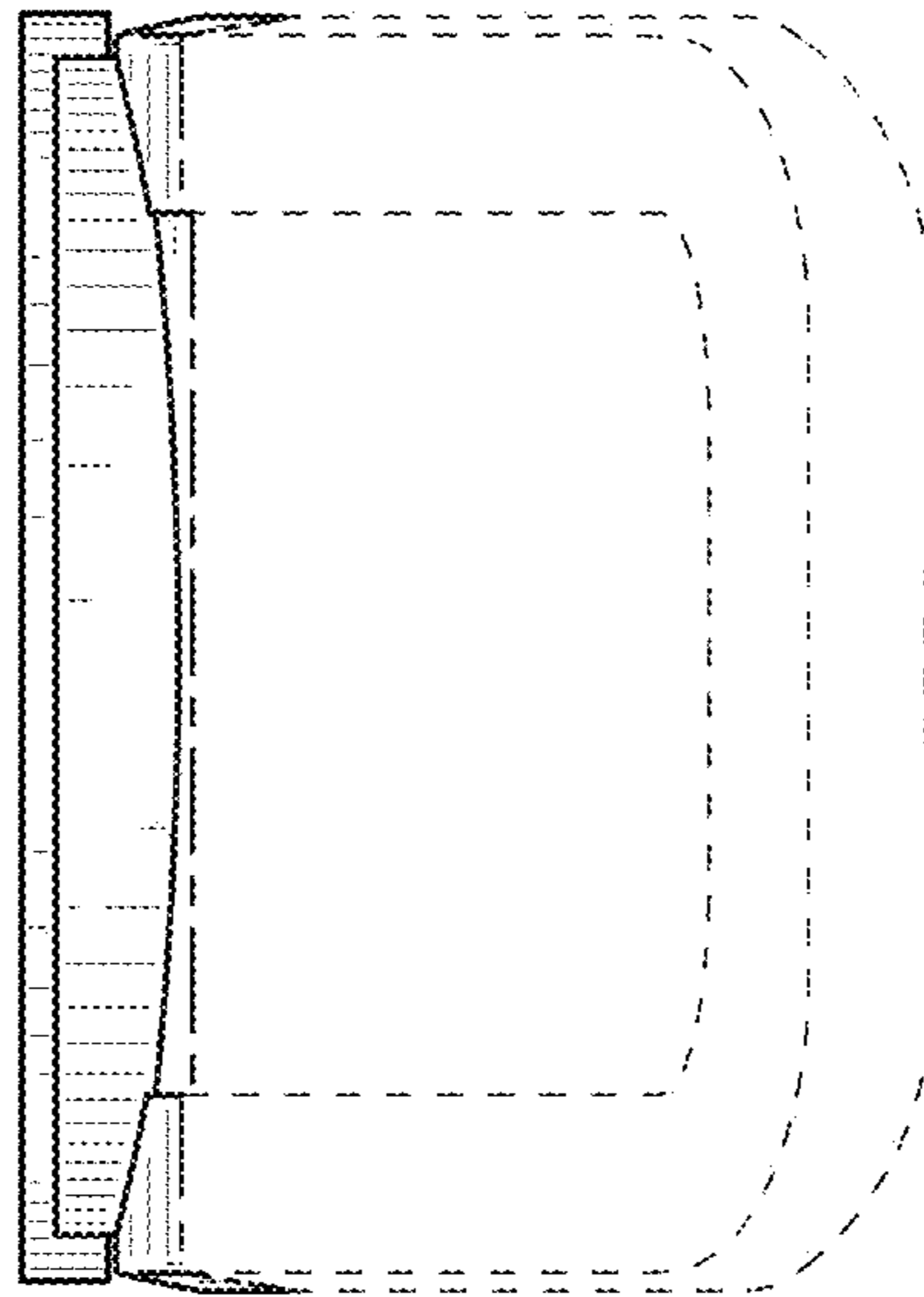


FIG. 7

