



US00D937953S

(12) **United States Design Patent** (10) **Patent No.:** **US D937,953 S**  
**Eldridge et al.** (45) **Date of Patent:** **\*\* Dec. 7, 2021**

(54) **BALL MARKER HOLDER**  
(71) Applicant: **Snaps Ventures Inc.**, New York, NY (US)  
(72) Inventors: **Matthew Ryan Eldridge**, Moncton (CA); **Luis Brualla**, Madrid (ES)  
(73) Assignee: **Snaps Ventures Inc.**, Jupiter, FL (US)

5,418,981 A 5/1995 Miner  
5,499,402 A 3/1996 Rose  
5,533,213 A 7/1996 Reiner et al.  
D373,454 S 9/1996 Ramirez  
D375,827 S 11/1996 Will  
5,600,855 A 2/1997 Ramirez  
5,632,047 A 5/1997 Van Den Heuvel  
D412,937 S 8/1999 Franklin  
5,934,530 A \* 8/1999 Antczak ..... A63B 55/408  
224/197

(Continued)

(\*\*) Term: **15 Years**

FOREIGN PATENT DOCUMENTS

(21) Appl. No.: **29/721,714**

JP D1606101 S 6/2018  
WO WO DM/093473 4/2017

(22) Filed: **Jan. 22, 2020**

(Continued)

(51) **LOC (13) Cl.** ..... **21-02**

(52) **U.S. Cl.**  
USPC ..... **D21/796**; D2/891

OTHER PUBLICATIONS

(58) **Field of Classification Search**  
USPC ..... D21/789, 793, 794, 796; D2/891  
CPC ..... A63B 57/353; A63B 57/207; A63B 57/00;  
A63B 57/35; A63B 57/30; A63B 57/50;  
A42B 1/02; A42B 1/00; A42B 1/22;  
A42B 1/225

U.S. Appl. No. 29/721,716, filed Jan. 22, 2020, Eldridge et al.

(Continued)

See application file for complete search history.

*Primary Examiner* — Mitchell I. Siegel  
(74) *Attorney, Agent, or Firm* — Wolf, Greenfield & Sacks, P.C.

(56) **References Cited**

(57) **CLAIM**

U.S. PATENT DOCUMENTS

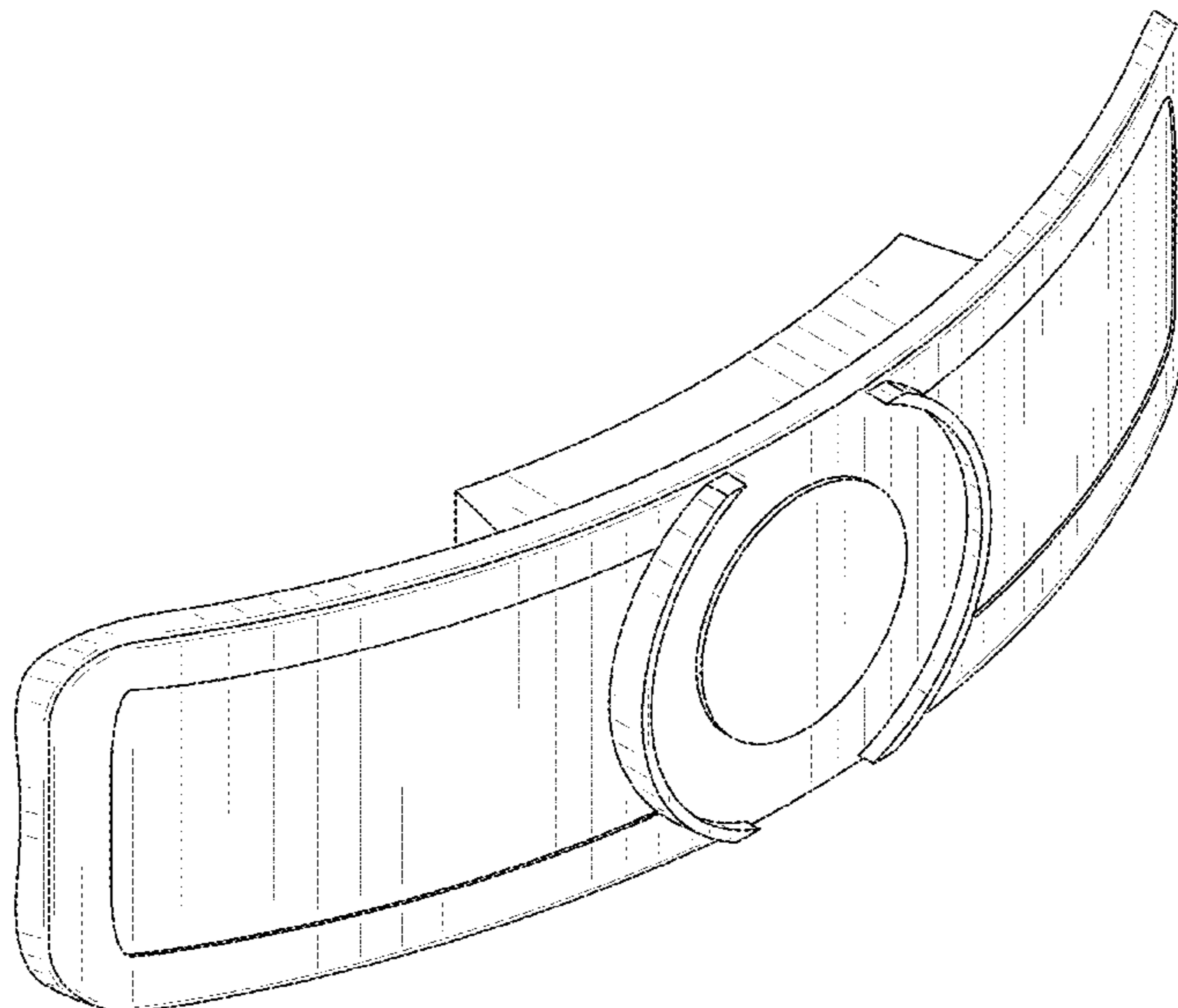
The ornamental design for a ball marker holder, as shown and described.

1,053,974 A 2/1913 Cohen  
1,236,654 A 8/1917 Baltzley  
2,181,446 A 11/1939 Ames  
2,737,220 A 3/1956 Hoff  
D252,289 S \* 7/1979 Furin ..... D21/794  
D254,845 S 4/1980 Young  
D272,754 S \* 2/1984 Brewer ..... D21/791  
4,776,043 A 10/1988 Coleman  
5,003,640 A 4/1991 Pizzacar  
5,135,220 A \* 8/1992 Baldoni ..... A63B 57/207  
473/406  
5,165,190 A 11/1992 Smyth  
D343,372 S 1/1994 Ferré  
5,315,714 A 5/1994 Peters et al.

**DESCRIPTION**

FIG. 1 is a top, front, and left side perspective view of a ball marker holder according to our new design;  
FIG. 2 is a front elevation view thereof;  
FIG. 3 is a rear elevation view thereof;  
FIG. 4 is a bottom plan view thereof;  
FIG. 5 is a top plan view thereof;  
FIG. 6 is a right side elevation view thereof; and,  
FIG. 7 is a left side elevation view thereof.

**1 Claim, 4 Drawing Sheets**



(56)

References Cited

U.S. PATENT DOCUMENTS

5,997,662 A 12/1999 Norio  
 6,021,525 A 2/2000 Mertins  
 6,185,750 B1 2/2001 Dumas  
 6,209,766 B1\* 4/2001 Kwon ..... A63B 57/20  
 224/269  
 D486,862 S 2/2004 Coe  
 6,729,058 B2 5/2004 Ferguson  
 D497,858 S 11/2004 Fabian  
 6,871,486 B2 3/2005 Moehnke et al.  
 D535,346 S\* 1/2007 Gibson ..... D21/794  
 D540,902 S\* 4/2007 Regalado ..... D21/794  
 D579,194 S 10/2008 Caylor  
 D591,934 S 5/2009 Gore  
 D601,792 S 10/2009 Kennedy  
 D605,381 S 12/2009 Mastrantonio et al.  
 D613,638 S 4/2010 Jorst et al.  
 D627,146 S 11/2010 Kantor et al.  
 D635,336 S 4/2011 Alger  
 D637,106 S 5/2011 Babyak  
 D638,964 S 5/2011 Cappuccio  
 D645,211 S 9/2011 Hill  
 D645,231 S 9/2011 Perry  
 D667,212 S 9/2012 Reilly  
 D675,695 S\* 2/2013 Wallen ..... D21/796  
 8,573,773 B1 11/2013 Acosta  
 D695,454 S 12/2013 Moore  
 D724,479 S 3/2015 Cerrato  
 D724,487 S 3/2015 Dighton et al.  
 D729,502 S 5/2015 Aldridge  
 D737,564 S 9/2015 Hamilton et al.  
 D741,972 S\* 10/2015 McDevitt ..... D21/794  
 9,198,483 B2 12/2015 Adams et al.  
 D757,402 S 5/2016 White  
 D757,403 S 5/2016 Skinner  
 D761,001 S 7/2016 Kouns et al.  
 D770,733 S 11/2016 Hwang  
 D771,914 S 11/2016 Cho  
 D774,283 S 12/2016 Rollins  
 D778,767 S 2/2017 Nicolas  
 D781,852 S\* 3/2017 Yu ..... D14/344  
 D793,675 S 8/2017 Gates  
 D801,644 S 11/2017 Zenoff  
 10,037,642 B2\* 7/2018 Padgett ..... H04W 12/06  
 D838,941 S 1/2019 Leatherman  
 D865,334 S 11/2019 Kang  
 D895,937 S\* 9/2020 Eldridge ..... D2/891  
 D895,938 S\* 9/2020 Eldridge ..... D2/891  
 D914,821 S\* 3/2021 Leposky ..... D21/794  
 D917,841 S\* 5/2021 Eldridge ..... D2/891  
 D919,938 S\* 5/2021 Eldridge ..... D2/891  
 D919,939 S\* 5/2021 Eldridge ..... D2/891  
 2002/0042941 A1 4/2002 Grundy  
 2002/0108165 A1 8/2002 Porter et al.  
 2004/0064871 A1 4/2004 Schlapkohl  
 2004/0069916 A1\* 4/2004 Cohen ..... G09F 7/04  
 248/230.8  
 2008/0104801 A1 5/2008 Yeh  
 2008/0109940 A1\* 5/2008 Van Den Heuvel ... A42B 1/248  
 2/209.12

2013/0020367 A1\* 1/2013 Buckley ..... A63B 57/353  
 224/584  
 2013/0111650 A1 5/2013 Hong  
 2017/0027250 A1 2/2017 Paquette  
 2019/0142096 A1 5/2019 Skinner  
 2019/0313724 A1 10/2019 Jackson  
 2021/0128997 A1\* 5/2021 Kubas ..... A63B 57/207

FOREIGN PATENT DOCUMENTS

WO WO DM/099239 1/2018  
 WO WO 2018/217186 A1 11/2018

OTHER PUBLICATIONS

U.S. Appl. No. 29/721,719, filed Jan. 22, 2020, Eldridge et al.  
 U.S. Appl. No. 29/721,715, filed Jan. 22, 2020, Eldridge et al.  
 U.S. Appl. No. 29/721,718, filed Jan. 22, 2020, Eldridge et al.  
 U.S. Appl. No. 29/728,994, filed Mar. 23, 2020, Eldridge et al.  
 [No Author Listed] Photograph of Snaps Crisp Collection Gold Crown. Facebook. <https://www.facebook.com/snaps.ltd/photos/a.1151668998318962/1168036280015567/?type=3>. Dated Nov. 18, 2018, 1 page.  
 [No Author Listed] Product Listing for 1" Magnetic Metal Golf Ball Marker "New Superman". Venchinni Fashion, [http://venchinni-com.3dcartstores.com/1-Magnetic-Metal-Golf-Ball-Marker-New-Superman-\\_p\\_189.html](http://venchinni-com.3dcartstores.com/1-Magnetic-Metal-Golf-Ball-Marker-New-Superman-_p_189.html). 3 pages.  
 [No Author Listed] Product listing for Board Man Gets Paid. Snaps. <https://snaps.ltd/collections/nbaa-crisp/products/pre-order-now-board-man-gets-paid-limited-quantities>. 1 page.  
 [No Author Listed] Product Listing for Collegiate Hat Clip & 2 Ball Markers. Amazon.com. [https://www.amazon.com/Team-Effort-State-Buckeyes-Markers/dp/B000TZZTNY?ref=Oct\\_TopRatedC\\_3411031\\_5&pf\\_rd\\_p=189b97da-51f6-5be5-89b3-cd479dd8558f&pf\\_rd\\_s=merchandised-search-6&pf\\_rd\\_t=101&pf\\_rd\\_i=3411031&pf\\_rd\\_m=ATVPDKIKX0DER&pf\\_rd\\_r=2TK4JT4CWTMH5VGCFYYJ&pf\\_rd\\_r=2TK4JT4CWTMH5VGCFYYJ&pf\\_rd\\_p=189b97da-51f6-5be5-89b3-cd479dd8558f](https://www.amazon.com/Team-Effort-State-Buckeyes-Markers/dp/B000TZZTNY?ref=Oct_TopRatedC_3411031_5&pf_rd_p=189b97da-51f6-5be5-89b3-cd479dd8558f&pf_rd_s=merchandised-search-6&pf_rd_t=101&pf_rd_i=3411031&pf_rd_m=ATVPDKIKX0DER&pf_rd_r=2TK4JT4CWTMH5VGCFYYJ&pf_rd_r=2TK4JT4CWTMH5VGCFYYJ&pf_rd_p=189b97da-51f6-5be5-89b3-cd479dd8558f). 6 pages.  
 [No Author Listed] Product Listing for PC201 Poker Chip w/ Removable Ball Marker. Golf Specialties. <https://www.golfspecialties.com/PC201-Poker-Chip-Ball-Marker-Custom-p/pc201.htm>. 7 pages.  
 [No Author Listed] Product Listing for Personalized Golf Ball Marker | Magnetic Golf Ball Marker | Hand Stamped Ball Marker. The Landlocked Dog. <https://landlockeddog.com/products/personalized-golf-ball-marker-magnetic-golf-ball-marker-hand-stamped-ball-marker>. 6 pages.  
 [No Author Listed] Product Listing for PINMEI Magnetic Standard Golf Ball Mark Hat Clip. Amazon.com. [https://www.amazon.com/PINMEI-Magnetic-Standard-Golf-Ball/dp/B0794SRDSM?ref=Oct\\_RAsinC\\_Ajax\\_3411031\\_0&pf\\_rd\\_r=2TK4JT4CWTMH5VGCFYYJ&pf\\_rd\\_p=189b97da-51f6-5be5-89b3-cd479dd8558f&pf\\_rd\\_s=merchandised-search-6&pf\\_rd\\_t=101&pf\\_rd\\_i=3411031&pf\\_rd\\_m=ATVPDKIKX0DER](https://www.amazon.com/PINMEI-Magnetic-Standard-Golf-Ball/dp/B0794SRDSM?ref=Oct_RAsinC_Ajax_3411031_0&pf_rd_r=2TK4JT4CWTMH5VGCFYYJ&pf_rd_p=189b97da-51f6-5be5-89b3-cd479dd8558f&pf_rd_s=merchandised-search-6&pf_rd_t=101&pf_rd_i=3411031&pf_rd_m=ATVPDKIKX0DER). 5 pages.  
 [No Author Listed] Screenshot of SNAPS Facebook page. Facebook. <https://www.facebook.com/snaps.ltd>. 1 page.

\* cited by examiner



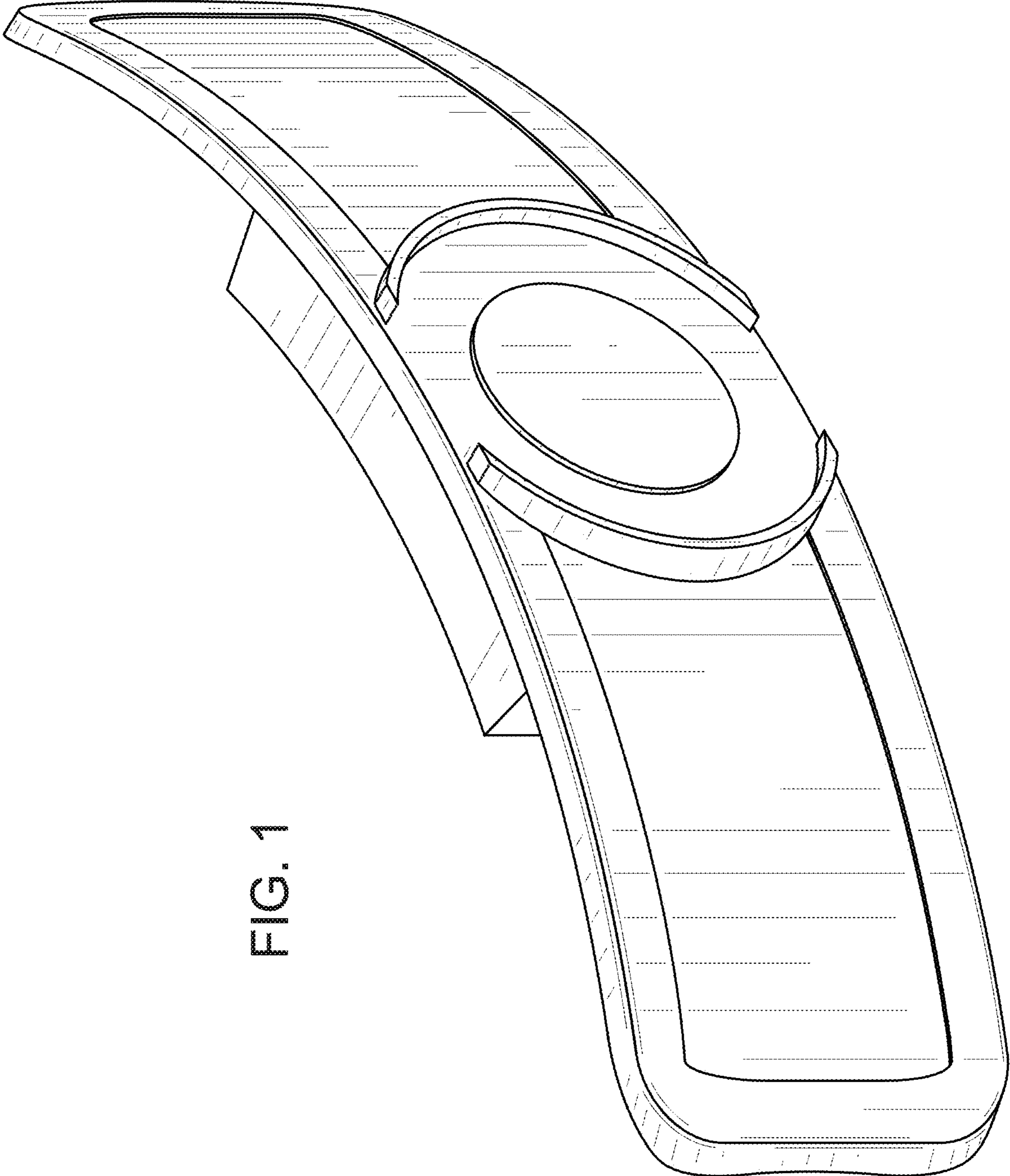


FIG. 1

FIG. 2

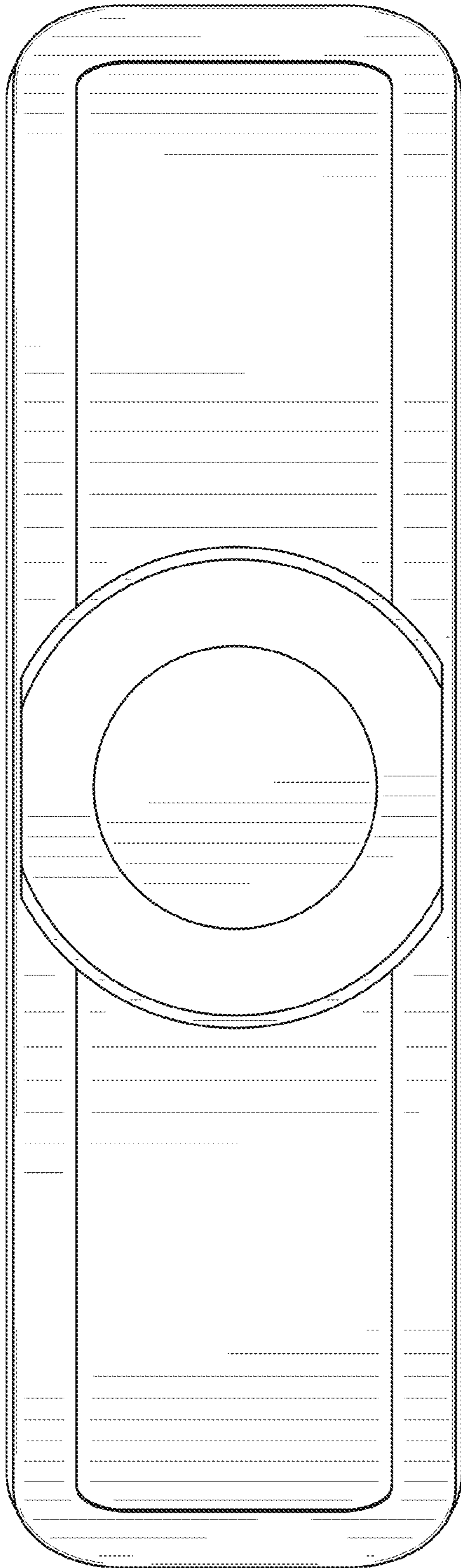
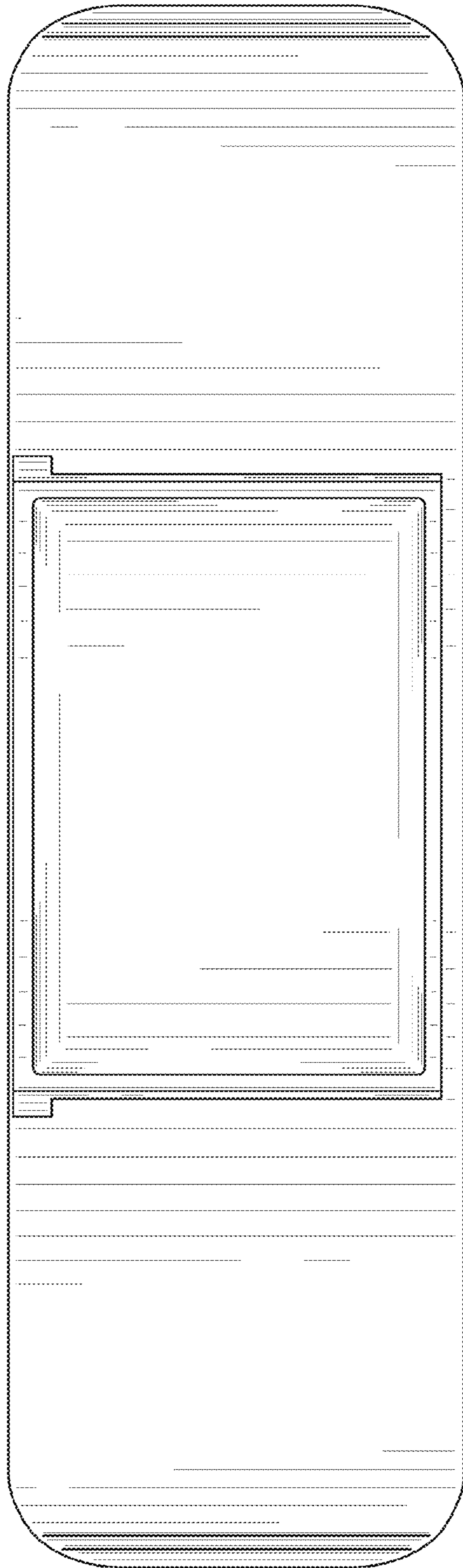


FIG. 3



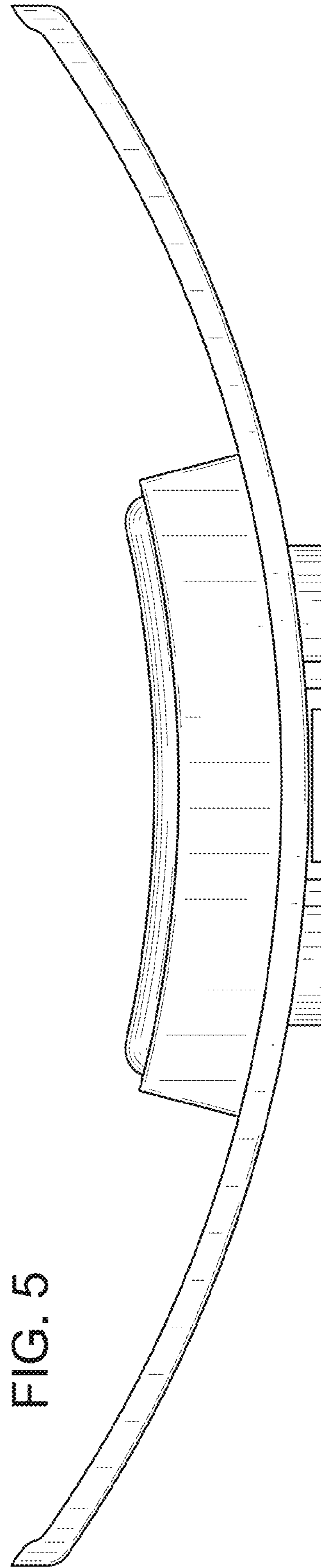
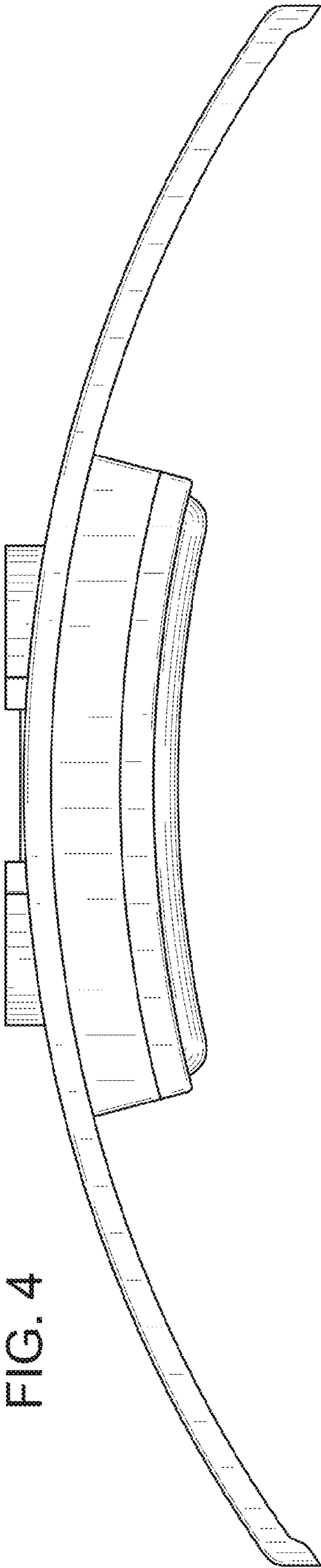


FIG. 4

FIG. 5

FIG. 6

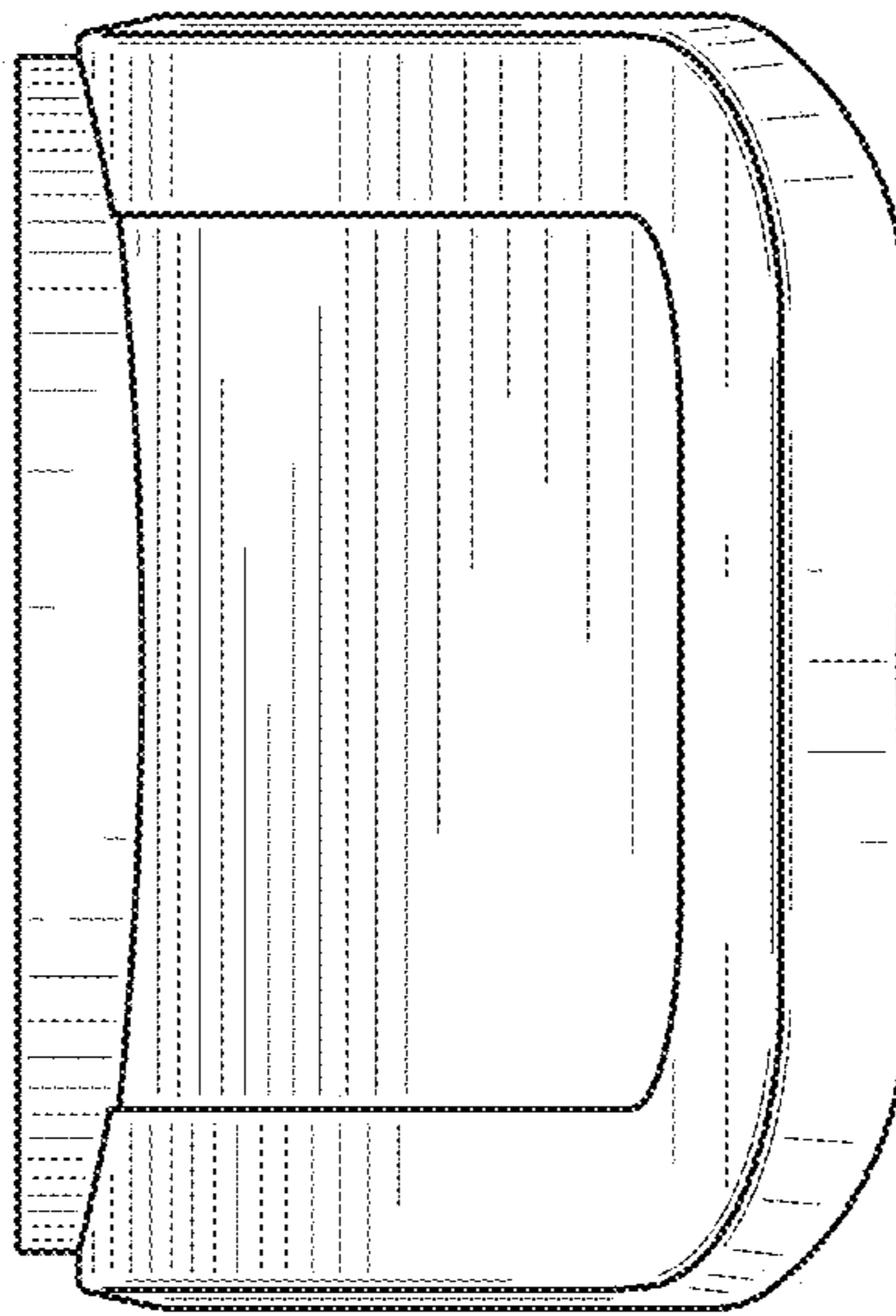


FIG. 7

