



US00D937951S

(12) **United States Design Patent** (10) **Patent No.:** **US D937,951 S**  
**Morris** (45) **Date of Patent:** **\*\* Dec. 7, 2021**

(54) **GOLF MAT**

(71) Applicant: **Charles W. Morris**, Charleston, SC  
(US)

(72) Inventor: **Charles W. Morris**, Charleston, SC  
(US)

(\*\*) Term: **15 Years**

(21) Appl. No.: **29/721,430**

(22) Filed: **Jan. 21, 2020**

(51) **LOC (13) Cl.** ..... **21-02**

(52) **U.S. Cl.**  
USPC ..... **D21/792**

(58) **Field of Classification Search**  
USPC ..... D21/789, 791, 792  
CPC ..... A63B 69/3664; A63B 69/3623; A63B  
69/3608; A63B 69/3658; A63B 69/3676;  
A63B 69/3661; A63B 69/3697; A63B  
69/36; A63B 69/3667; A63B 69/3685;  
A63B 69/3614; A63B 69/3691

See application file for complete search history.

(56) **References Cited**

U.S. PATENT DOCUMENTS

D249,077 S *	8/1978	Friskel	.....	D19/59
D275,413 S *	9/1984	Shroads	.....	D21/792
4,779,796 A *	10/1988	Lai	.....	A63B 69/3652 473/279
D328,937 S *	8/1992	Becella	.....	D21/792
5,340,111 A *	8/1994	Froelich	.....	A63B 69/3652 108/7
5,470,074 A *	11/1995	Hotchkiss	.....	A63B 69/3652 473/279
6,001,026 A *	12/1999	Breneman	.....	A63B 69/3623 473/261
6,312,345 B1	11/2001	Pelz		

D501,239 S *	1/2005	Bodor	.....	D21/792
D502,241 S *	2/2005	Nevill	.....	D21/791
D509,276 S	9/2005	Sear		
D537,141 S *	2/2007	Peterson	.....	D21/791
D545,934 S *	7/2007	Hardy, Jr.	.....	D21/798
D596,260 S *	7/2009	Hall, Sr.	.....	D21/792
D607,076 S *	12/2009	Hadley	.....	D21/791
D653,719 S *	2/2012	Palonis	.....	D21/792
8,221,256 B2	7/2012	Broering		
8,282,502 B1 *	10/2012	Angstead	.....	A63B 69/3661 473/278
D716,892 S *	11/2014	Schlosser	.....	D21/792
D727,449 S	4/2015	Sun		
D731,610 S *	6/2015	Marcy	.....	D21/792
D777,864 S *	1/2017	Shirakawa	.....	D21/791
D828,472 S *	9/2018	Alcantara	.....	D21/792

(Continued)

*Primary Examiner* — Mitchell I. Siegel

(74) *Attorney, Agent, or Firm* — Nelson Mullins Riley & Scarborough LLP

(57) **CLAIM**

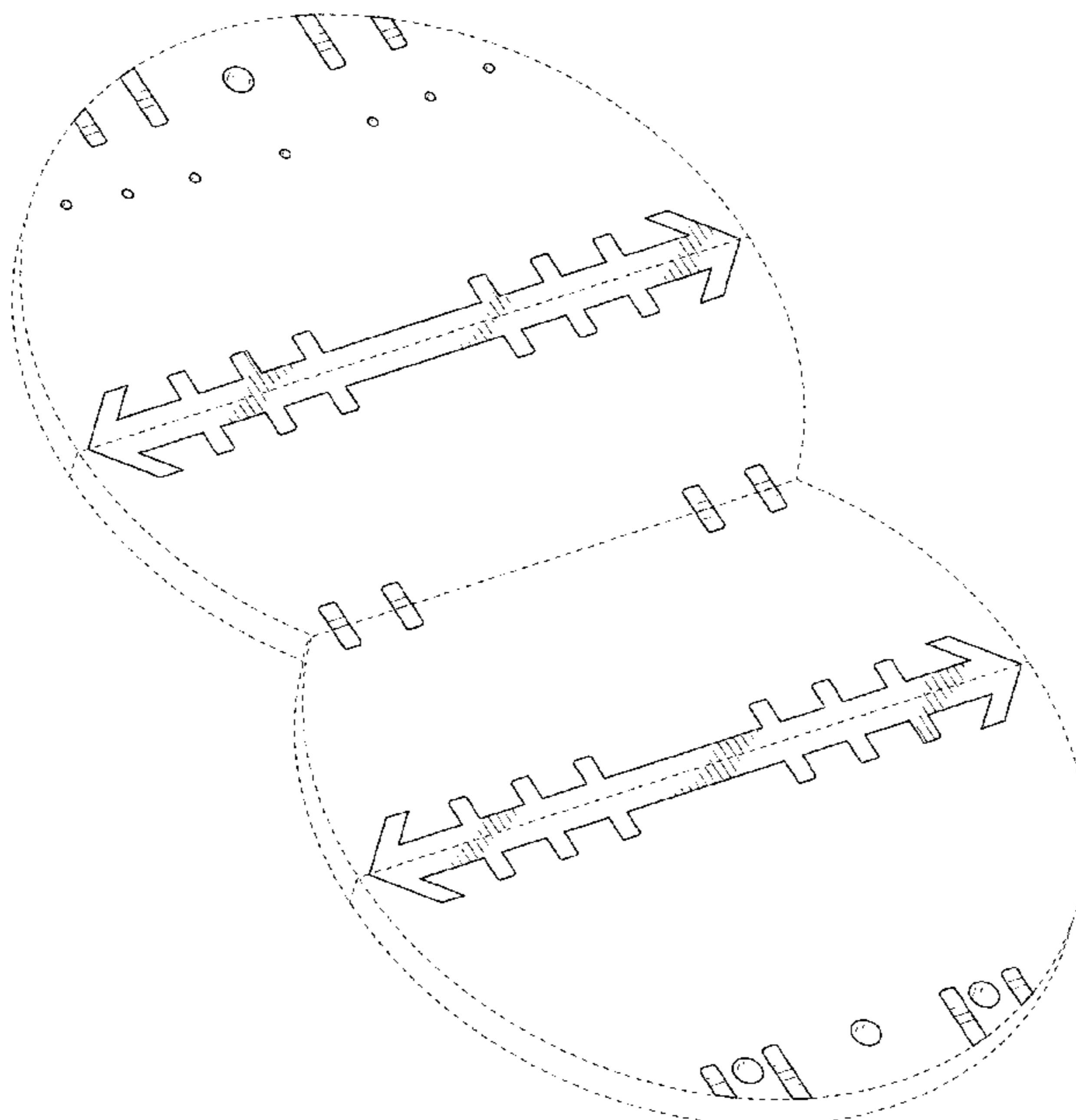
The ornamental design for a golf mat, substantially as shown and described.

**DESCRIPTION**

FIG. 1 is a perspective view of a new, original, and ornamental design of a golf mat in accordance with the present invention;

FIG. 2 is a top side plan view of the design of FIG. 1; FIG. 3 is a bottom side plan view of the design of FIG. 1; FIG. 4 is a left side elevation view of the design of FIG. 1; FIG. 5 is a right side elevation view of the design of FIG. 1; FIG. 6 is a front side elevation view of the design of FIG. 1; and, FIG. 7 is a rear side elevation view of the design of FIG. 1. The portions shown in broken lines in the Figures form no part of the claimed design.

**1 Claim, 5 Drawing Sheets**



(56)

**References Cited**

U.S. PATENT DOCUMENTS

D855,723 S \* 8/2019 Sjostrom ..... D21/791  
D860,366 S \* 9/2019 Bailey ..... D21/792  
2007/0191128 A1 8/2007 Tirol

\* cited by examiner

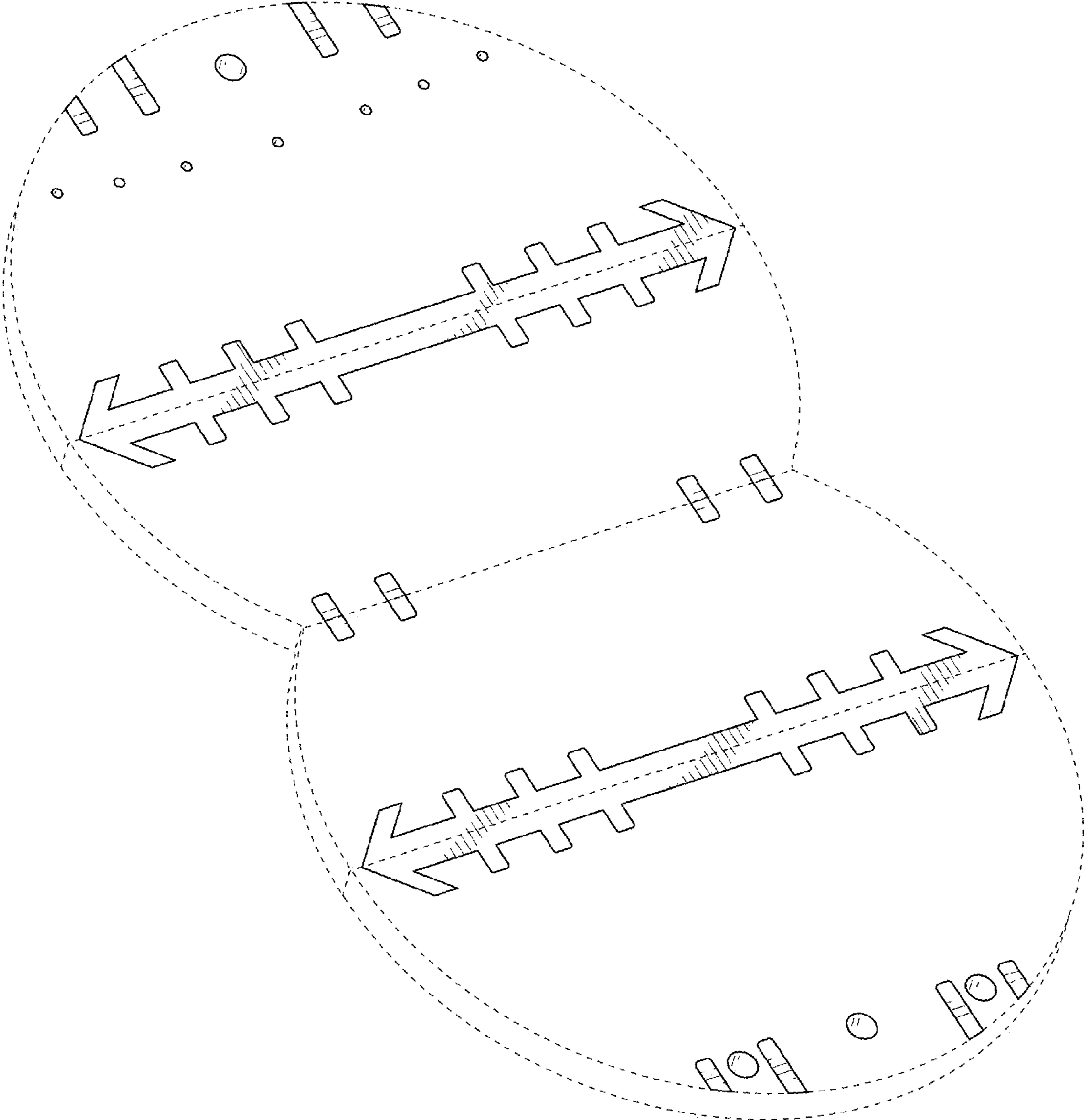


FIG. 1

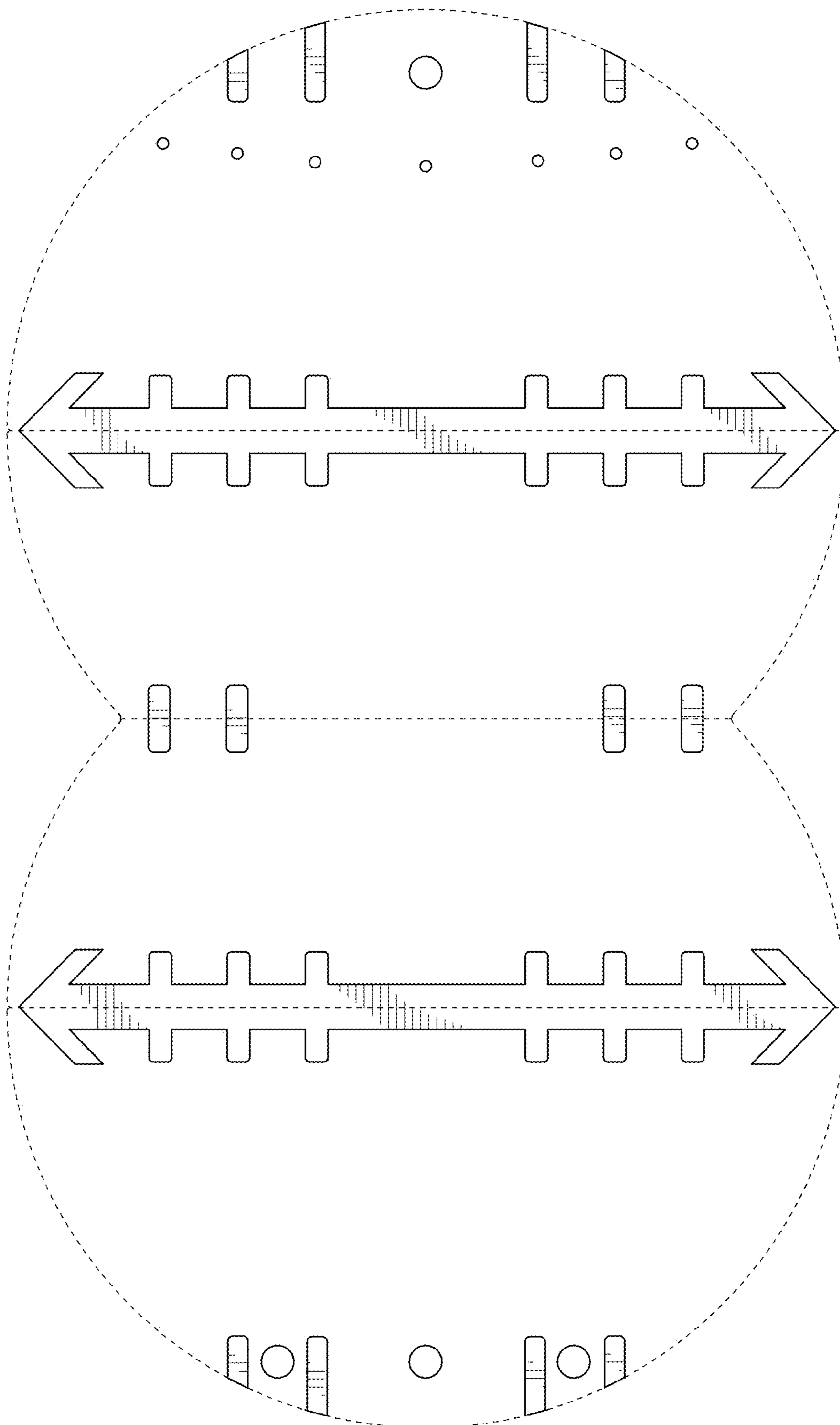


FIG. 2

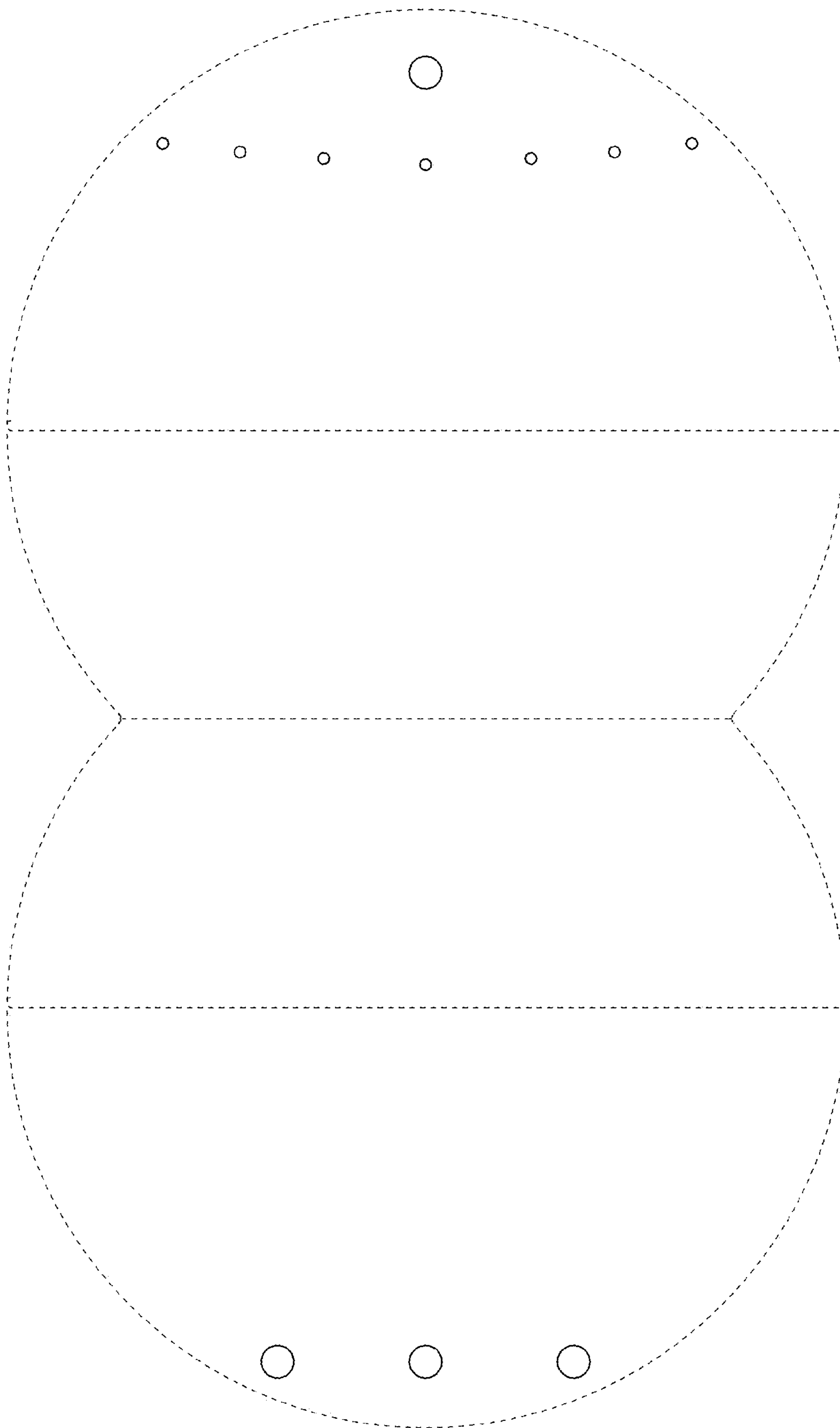


FIG. 3

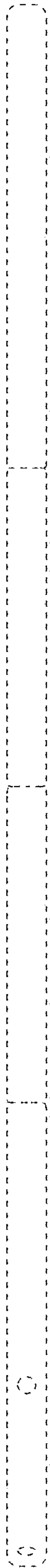


FIG. 4

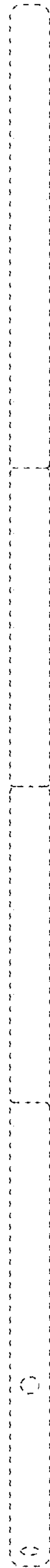


FIG. 5

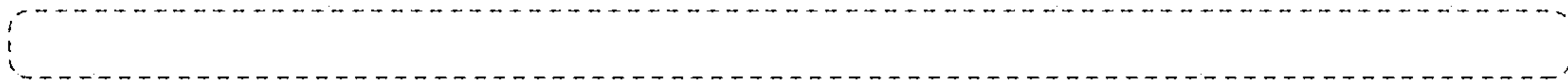


FIG. 6



FIG. 7