



US00D937950S

(12) **United States Design Patent**
Koning

(10) **Patent No.:** **US D937,950 S**

(45) **Date of Patent:** **** Dec. 7, 2021**

- (54) **GOLF FLAG BALL TENDER**
- (71) Applicant: **L.S. Mold, Inc.**, Holland, MI (US)
- (72) Inventor: **Larry Koning**, Holland, MI (US)
- (73) Assignee: **L.S. Mold, Inc.**, Holland, MI (US)
- (**) Term: **15 Years**
- (21) Appl. No.: **29/709,341**
- (22) Filed: **Oct. 14, 2019**
- (51) **LOC (13) Cl.** **21-02**
- (52) **U.S. Cl.**
USPC **D21/789**; D21/796
- (58) **Field of Classification Search**
USPC D21/789, 796
CPC A63B 57/357; A63B 57/405; A63B 47/02
See application file for complete search history.

- 6,478,687 B1 * 11/2002 Colonello A63B 57/40
473/175
- 6,767,289 B2 * 7/2004 Porter A63B 57/357
473/175
- D504,482 S * 4/2005 Webb D21/789
- 6,939,239 B1 9/2005 Ash
- 7,266,916 B2 * 9/2007 Spiro G09F 23/00
40/606.03
- 7,431,658 B2 * 10/2008 Priegel A63B 57/40
473/175
- 7,455,594 B1 * 11/2008 Priegel A63B 57/40
473/176
- 8,740,716 B1 * 6/2014 Mallonee A63B 57/405
473/177
- D828,890 S * 9/2018 Niswonger D21/796
- 10,112,088 B1 * 10/2018 Moran A63B 57/357
- 10,139,102 B2 11/2018 Garcia
- 10,471,316 B1 * 11/2019 Bartlett A63B 47/02

(Continued)

Primary Examiner — Mitchell I. Siegel
(74) *Attorney, Agent, or Firm* — The Watson IP Group, PLC; Jovan N. Jovanovic

(56) **References Cited**
U.S. PATENT DOCUMENTS

- 979,313 A * 12/1910 King et al. A63B 57/40
473/177
- 1,470,603 A 10/1923 Dubois
- 1,538,822 A 5/1925 Kennedy
- 1,829,283 A 10/1931 Kip
- 1,943,610 A * 1/1934 John A63B 57/357
473/176
- 2,684,245 A 7/1954 Louis
- 3,180,644 A 4/1965 Winquist
- 3,310,026 A 3/1967 Baird, Jr.
- 3,790,166 A 2/1974 Hamilton et al.
- 4,114,879 A * 9/1978 Oiler A63B 57/40
473/177
- 4,360,200 A 11/1982 English
- 5,120,063 A * 6/1992 Birchler A63B 57/40
473/180
- 5,190,283 A 3/1993 Hannon
- 5,451,045 A * 9/1995 Garske A63B 57/357
473/176

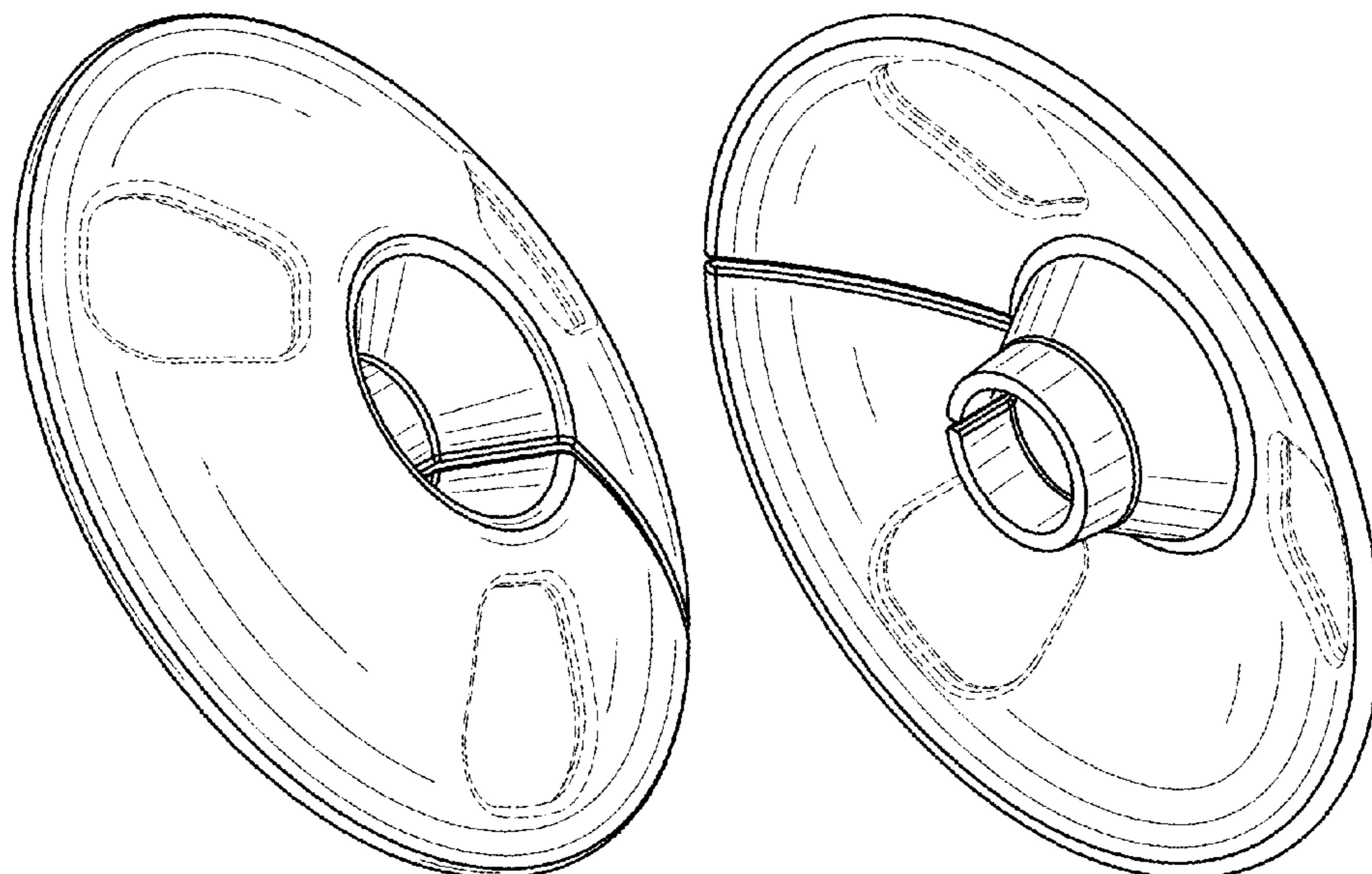
(57) **CLAIM**

The ornamental design for golf flag ball tender, as shown and described.

DESCRIPTION

FIG. 1 is a bottom perspective view of golf flag ball tender showing the claimed design;
FIG. 2 is a top perspective view thereof;
FIG. 3 is a top plan view thereof;
FIG. 4 is a bottom plan view thereof;
FIG. 5 is a first side elevational view thereof;
FIG. 6 is a second side elevational view thereof;
FIG. 7 is a third side elevational view thereof; and,
FIG. 8 is a fourth side elevational view thereof.
The broken lines in the drawings form no part of the claimed design.

1 Claim, 4 Drawing Sheets



(56)

References Cited

U.S. PATENT DOCUMENTS

10,500,456	B1 *	12/2019	Cardone	A63B 47/02
D903,025	S *	11/2020	Davis	D21/789
D917,639	S *	4/2021	Manley	D21/721
11,000,740	B2 *	5/2021	Burke	A63B 57/357
D921,138	S *	6/2021	Sulisz	D21/717
2003/0190970	A1 *	10/2003	Patterson	A63B 57/357
					473/174
2003/0228922	A1 *	12/2003	Joswick	A63B 57/40
					473/175
2003/0228923	A1 *	12/2003	Joswick	G09F 23/00
					473/175
2008/0171608	A1 *	7/2008	Priegel	A63B 57/357
					473/176
2008/0171609	A1 *	7/2008	Priegel	A63B 57/357
					473/176
2008/0182677	A1 *	7/2008	Priegel	A63B 57/40
					473/175
2009/0197691	A1 *	8/2009	Mullen	A63B 57/40
					473/176
2013/0324273	A1 *	12/2013	Reino	A63B 57/40
					473/176
2020/0289903	A1 *	9/2020	Reilly	A63B 57/40
2020/0330837	A1 *	10/2020	Manley	A63B 57/357
2020/0353331	A1 *	11/2020	Renke	A63B 57/40

* cited by examiner

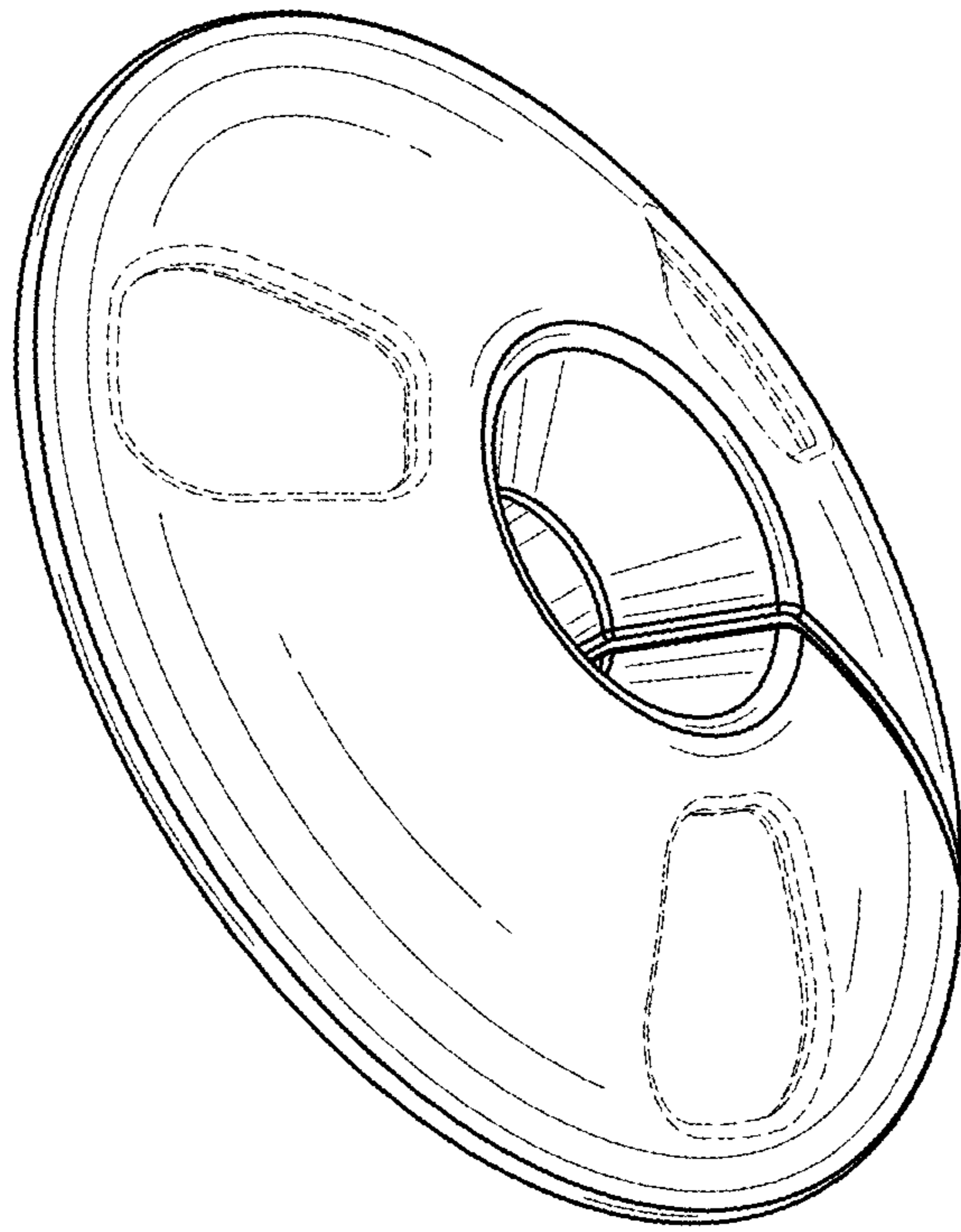


FIG. 1

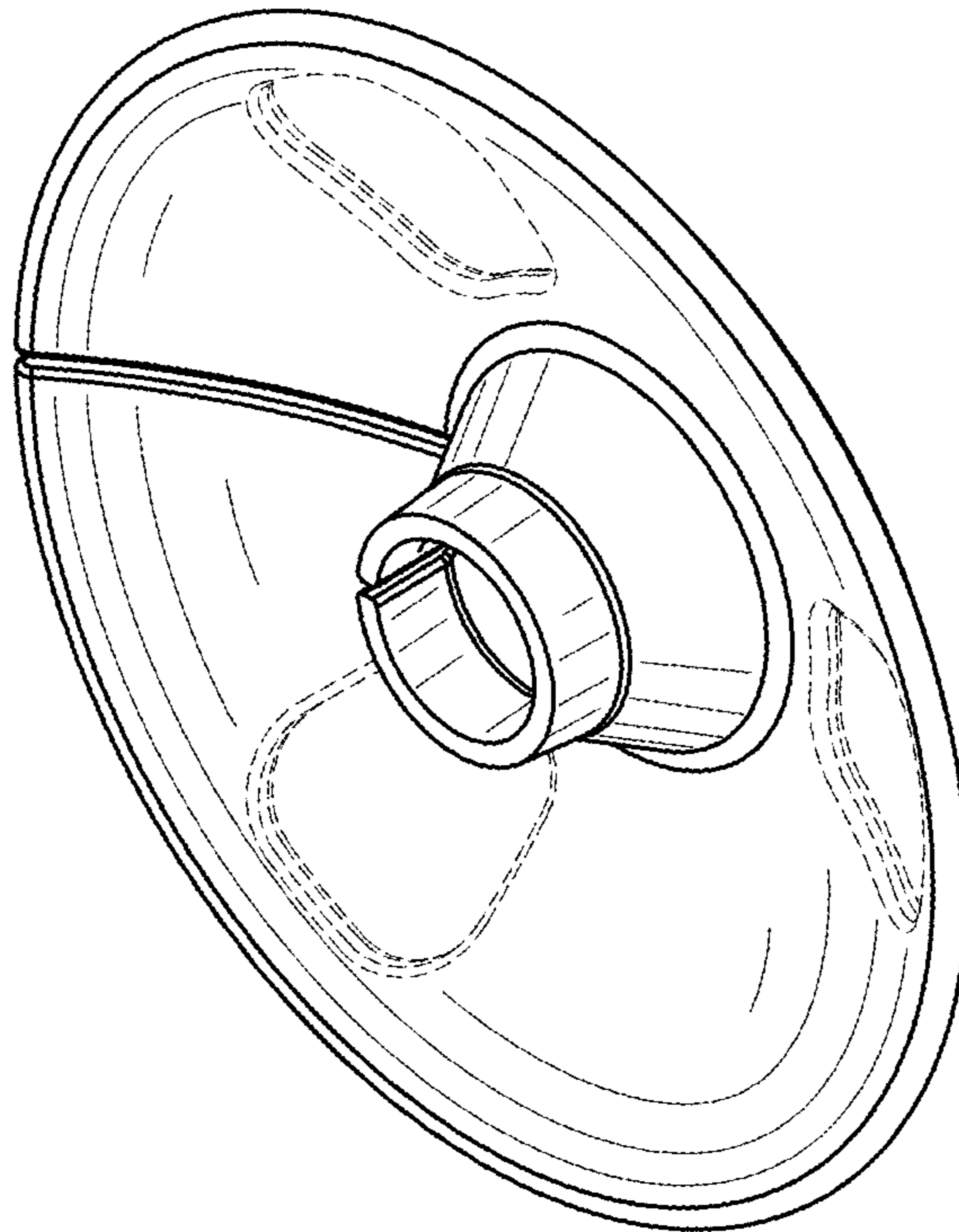


FIG. 2

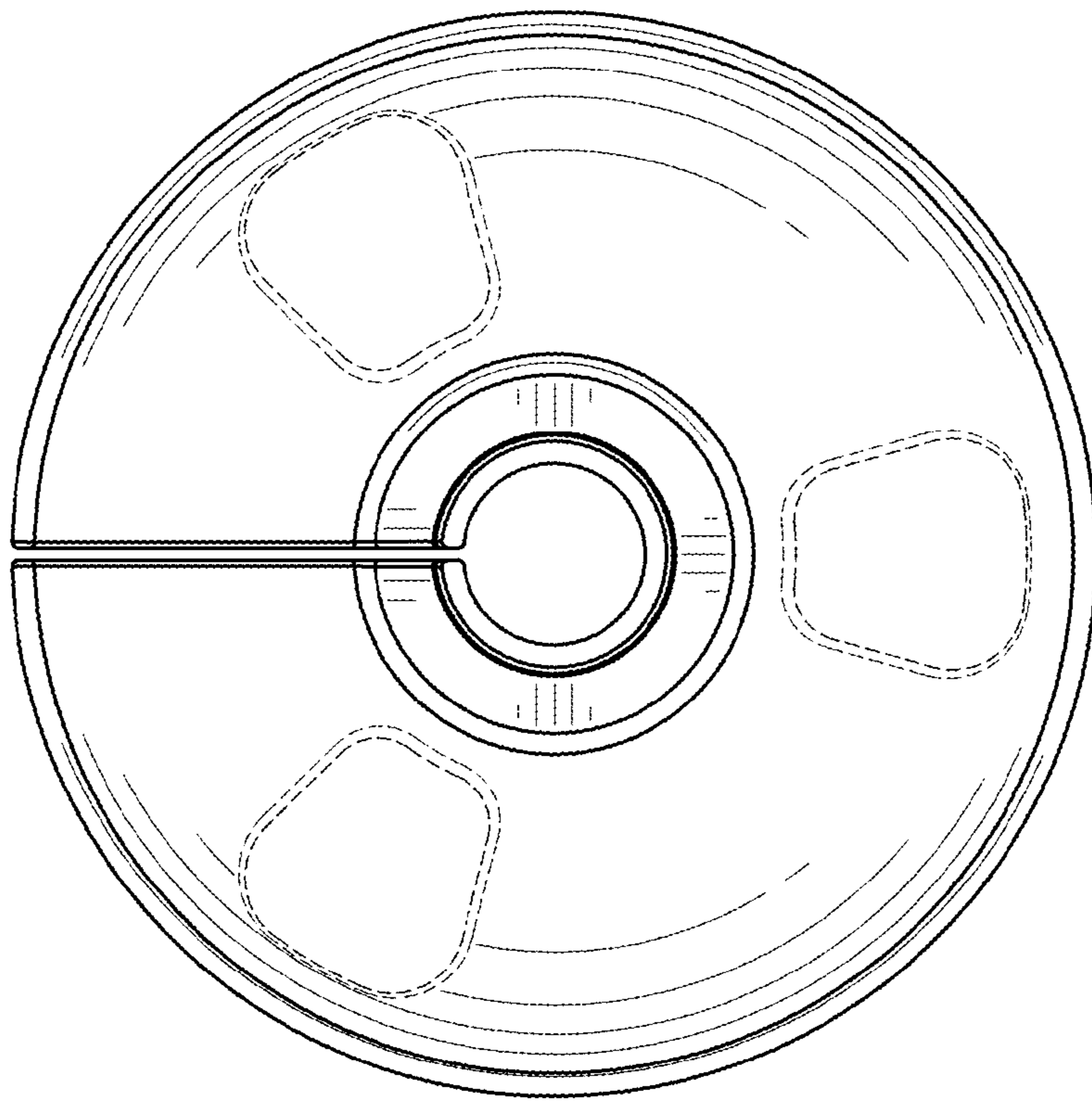


FIG. 3

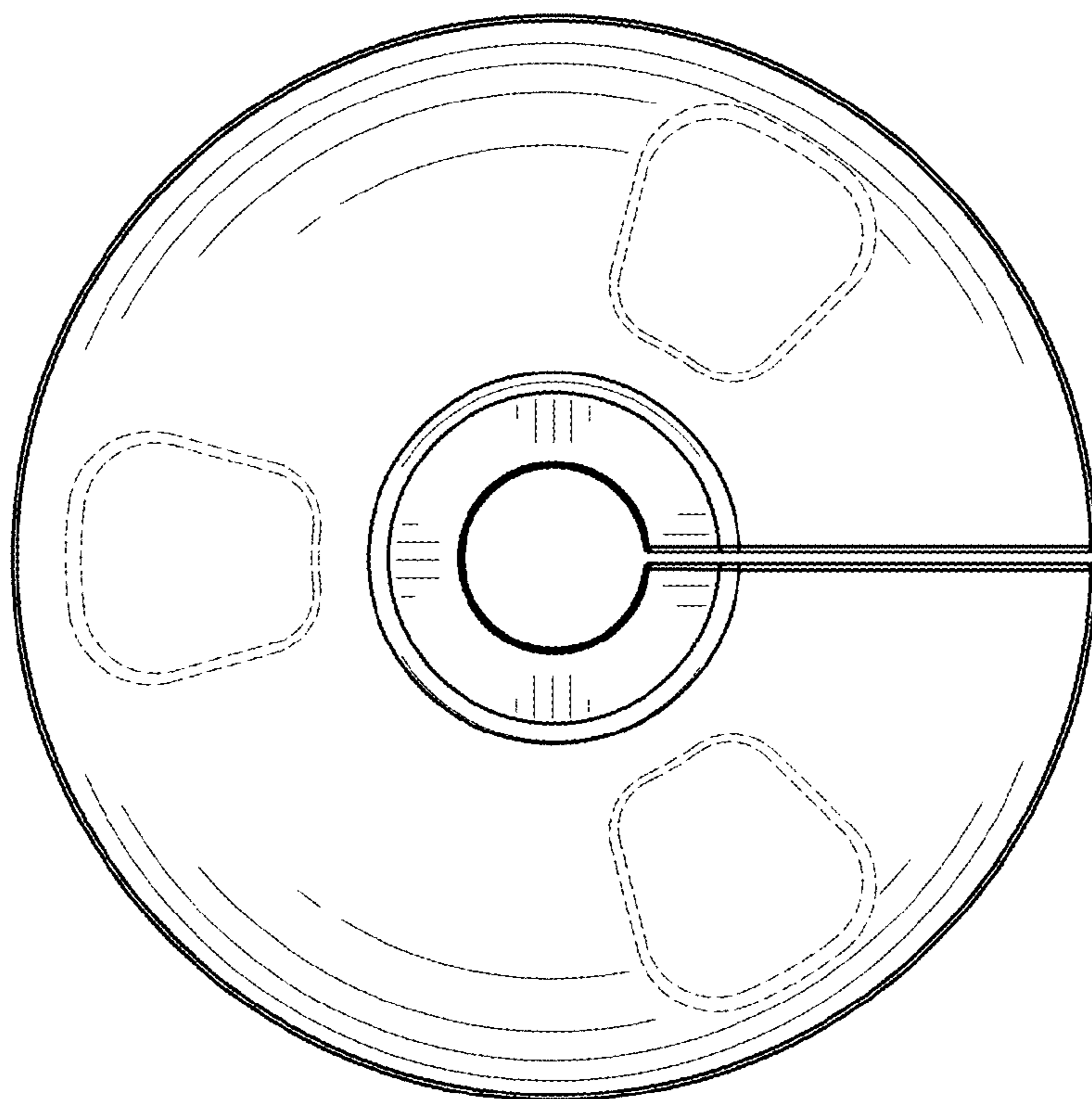


FIG. 4

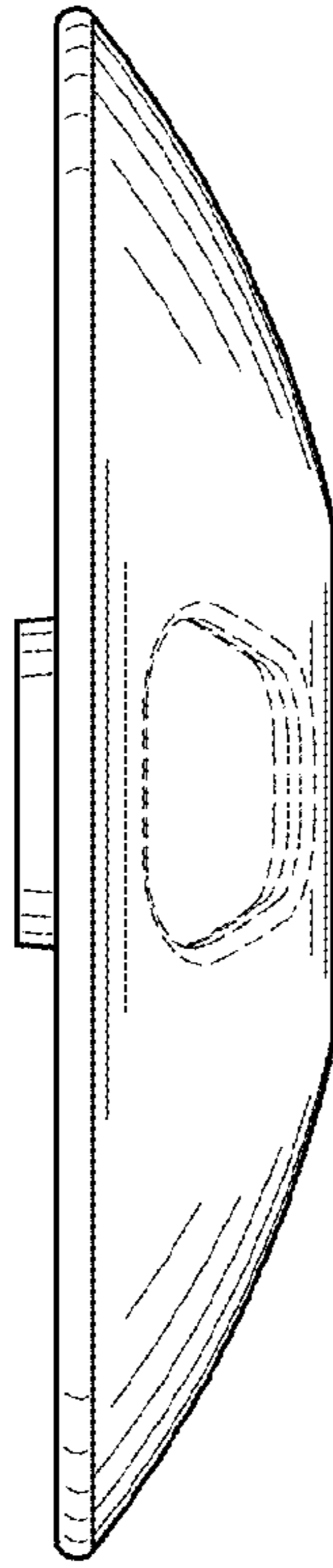


FIG. 5

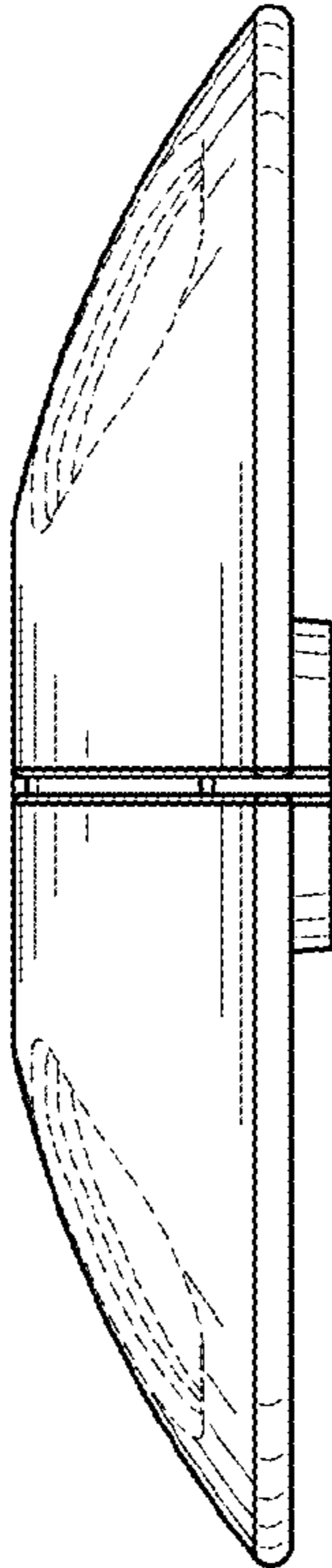


FIG. 6

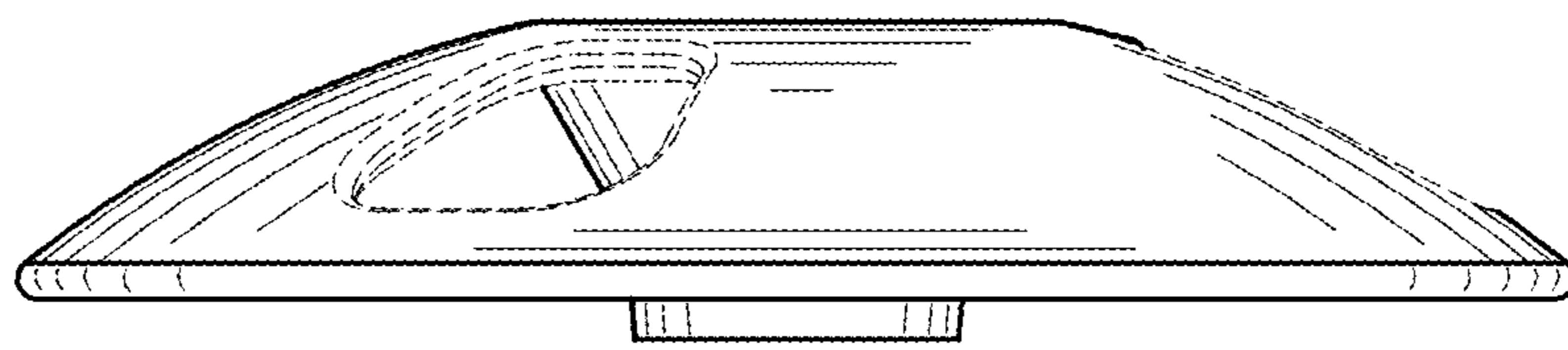


FIG. 7

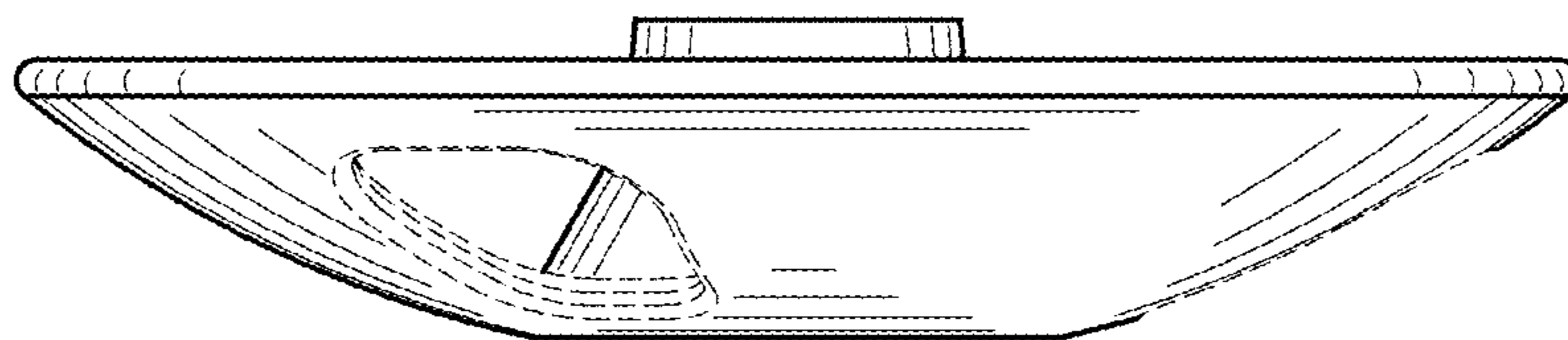


FIG. 8