



US00D937948S

(12) **United States Design Patent** (10) **Patent No.:** **US D937,948 S**
Lebovici (45) **Date of Patent:** **** Dec. 7, 2021**

- (54) **BALL RETRIEVER HEAD** 5,423,584 A * 6/1995 Pasternak A63B 47/02
294/19.2
- (71) Applicant: **Victor B Lebovici**, West Newton, MA (US) D361,354 S 8/1995 Bailey et al.
5,437,487 A * 8/1995 Fulop A63B 47/02
294/19.2
- (72) Inventor: **Victor B Lebovici**, West Newton, MA (US) D380,025 S 6/1997 Digerness et al.
5,651,571 A 7/1997 Diveto
5,823,591 A 10/1998 Rubinstein
5,829,806 A 11/1998 Sykes
6,077,170 A 6/2000 Hawkins
6,120,387 A * 9/2000 Bobst A63B 47/02
294/19.2
- (**) Term: **15 Years**
- (21) Appl. No.: **29/716,276** 6,257,635 B1 7/2001 Toreli
6,257,990 B1 7/2001 Kariatsumari
- (22) Filed: **Dec. 9, 2019** D457,932 S 5/2002 Bellville
6,454,331 B1 9/2002 Ahlenius
- (51) **LOC (13) Cl.** **21-02** 6,749,522 B1 * 6/2004 Aikman A63B 60/16
473/286
- (52) **U.S. Cl.** D538,864 S * 3/2007 Crippen D21/721
USPC **D21/721**
(Continued)
- (58) **Field of Classification Search**
USPC D21/715, 720, 721, 759, 789, 793, 796;
473/286, 503, 517; 294/19.2
CPC A63B 47/02; A63B 57/00; A63B 57/20;
A63B 2102/32
See application file for complete search history.

FOREIGN PATENT DOCUMENTS

FR 1144930 A * 10/1957 A63B 47/02
Primary Examiner — Catherine A Tuttle

(57) **CLAIM**

The ornamental design for a ball retriever head, as shown and descibed.

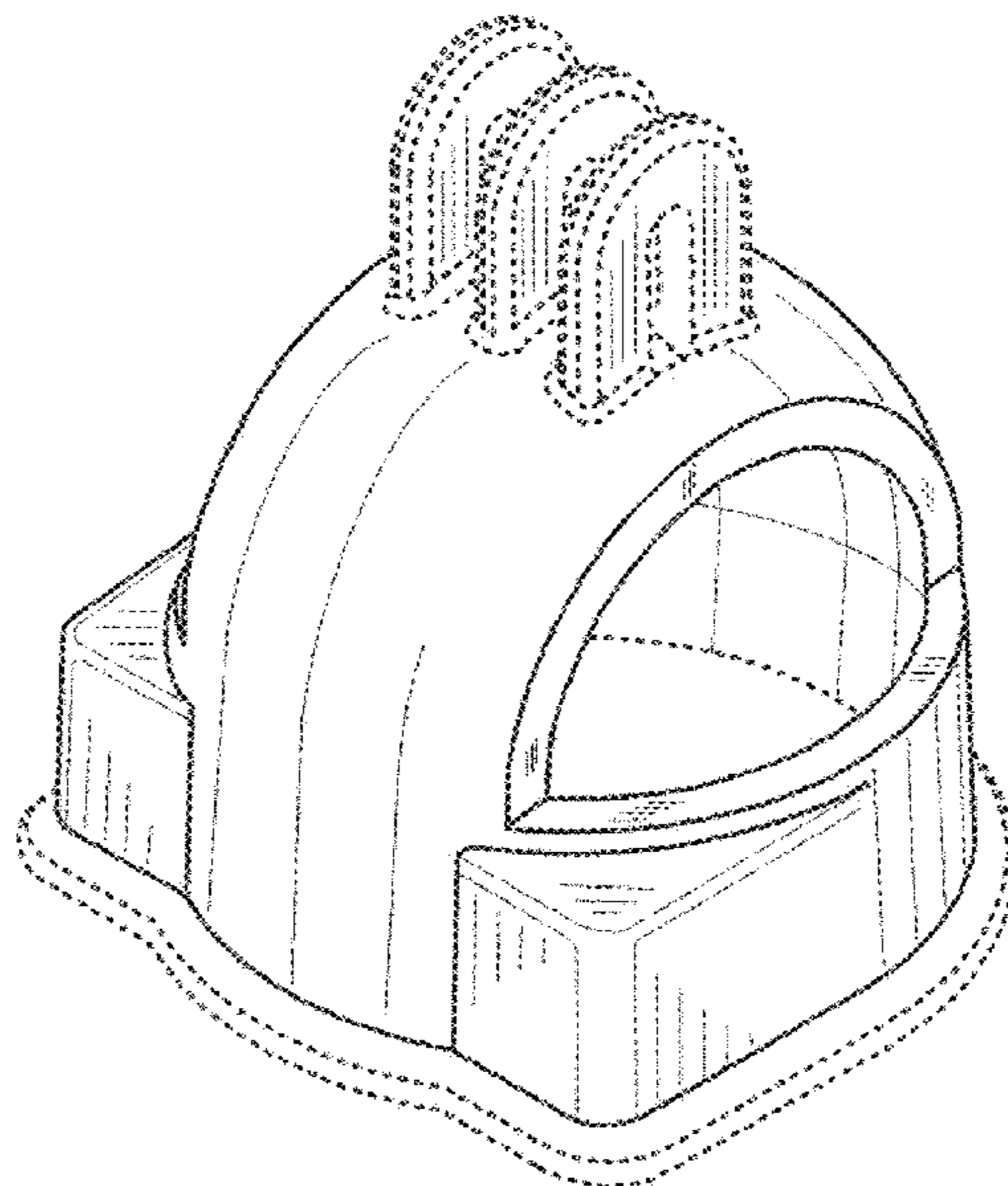
DESCRIPTION

FIG. 1 is a perspective view of a ball retriever head showing my new design;
FIG. 2 is a front elevation view thereof;
FIG. 3 is a rear elevation view thereof;
FIG. 4 is a right elevation view thereof;
FIG. 5 is a left elevation view thereof;
FIG. 6 is a top plan view thereof; and,
FIG. 7 is a bottom plan view thereof.
The broken lines depict the portions of the ball retriever head that form no part of the claimed design.

1 Claim, 4 Drawing Sheets

(56) **References Cited**
U.S. PATENT DOCUMENTS

- 3,442,544 A * 5/1969 Faber A63B 47/02
294/19.2
- 3,770,308 A 11/1973 Faber et al.
3,887,225 A 6/1975 McKee
4,180,288 A 12/1979 Sievers
D266,264 S 9/1982 West
4,493,503 A 1/1985 Jeninga
D283,432 S 4/1986 Rosenow
4,728,134 A 3/1988 Allen
D306,058 S 2/1990 Blake
5,188,409 A 2/1993 Forey
5,265,926 A 11/1993 DiNardo
5,326,145 A 4/1994 Lee
D347,871 S * 6/1994 Upton D21/721
D349,739 S 8/1994 Kahl
5,368,352 A 11/1994 Juhas



(56)

References Cited

U.S. PATENT DOCUMENTS

D542,875 S * 5/2007 Rankin A63B 45/02
D21/789
D645,928 S * 9/2011 Huang D21/796
8,246,480 B2 * 8/2012 Parks A63B 65/122
473/226
11,058,925 B1 * 7/2021 Lebovici A63B 47/02
2002/0169030 A1 11/2002 Chun-Sheng
2006/0138791 A1 6/2006 Lebovici
2007/0213142 A1 * 9/2007 Derr A63B 57/20
473/286
2008/0191503 A1 * 8/2008 Spacone A63B 47/02
294/19.2

* cited by examiner

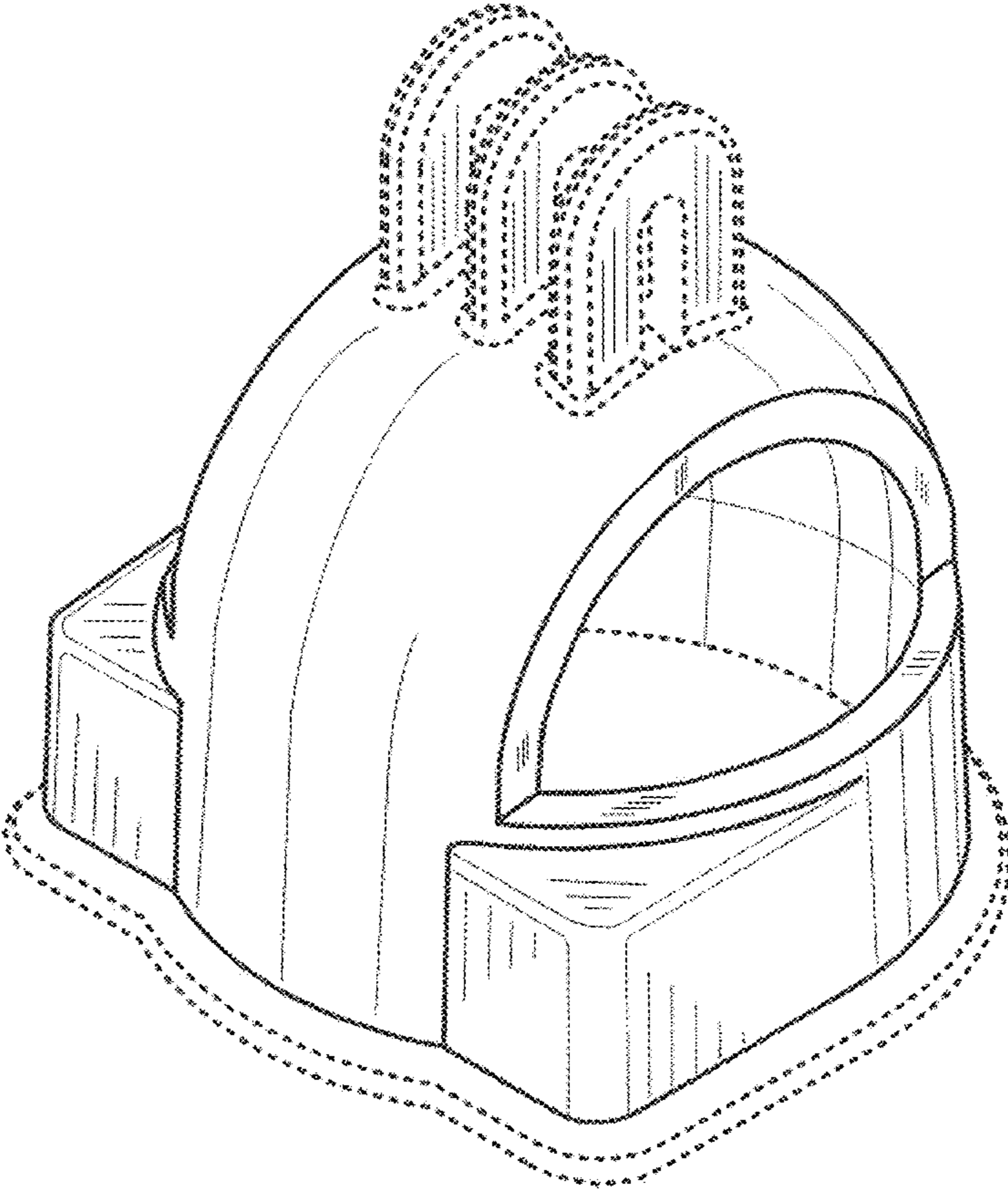


FIG. 1

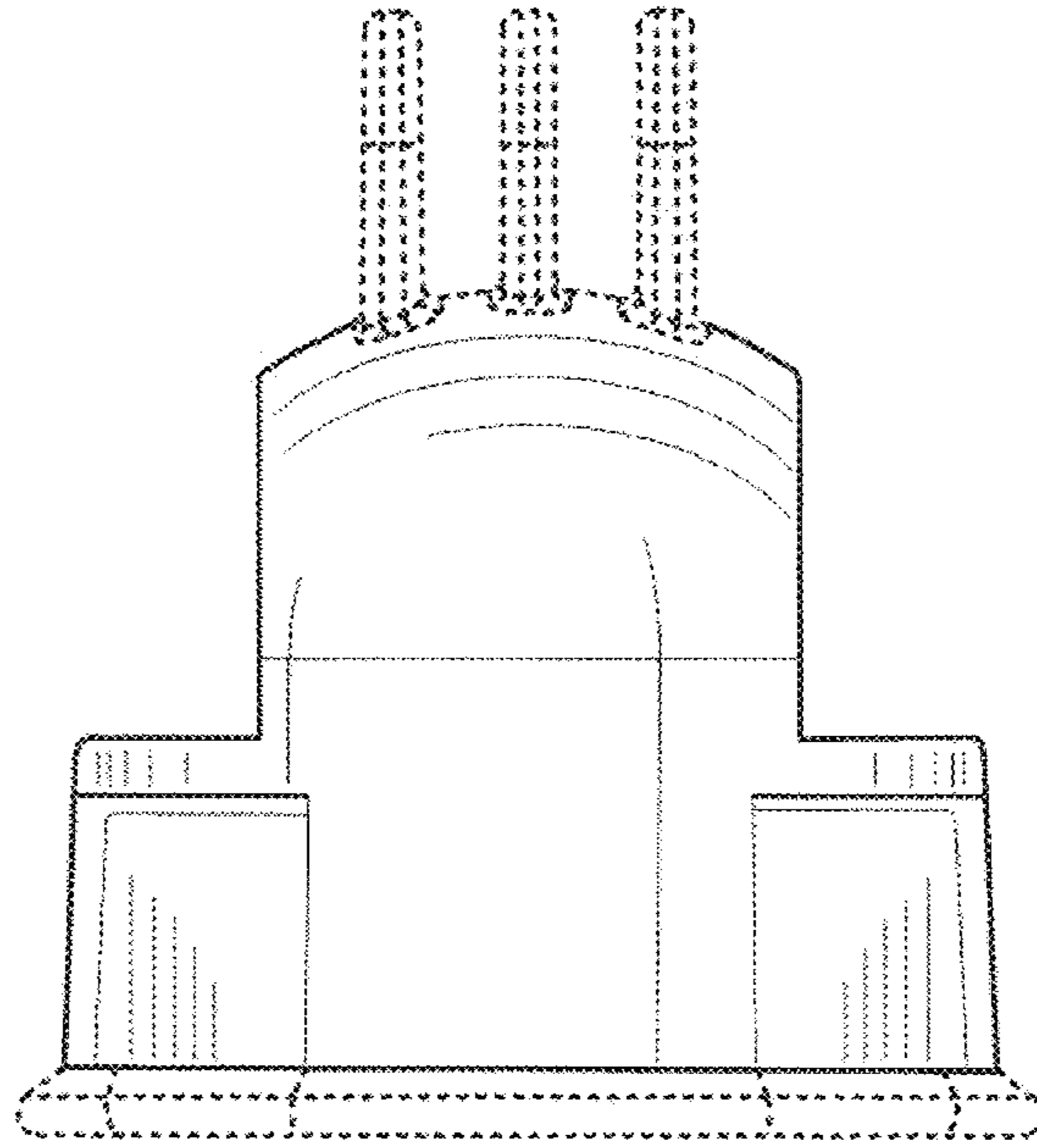


FIG. 2

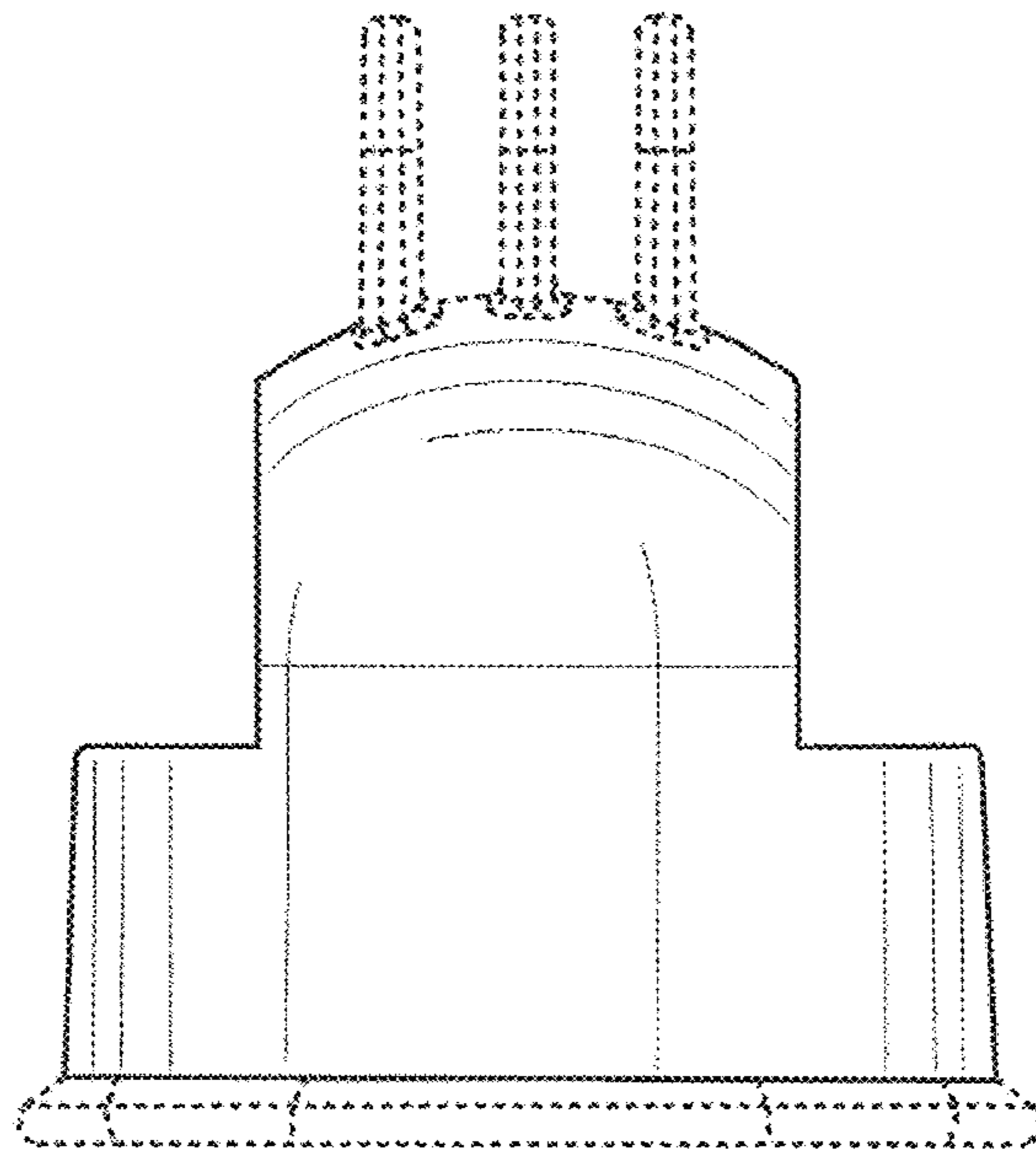


FIG. 3

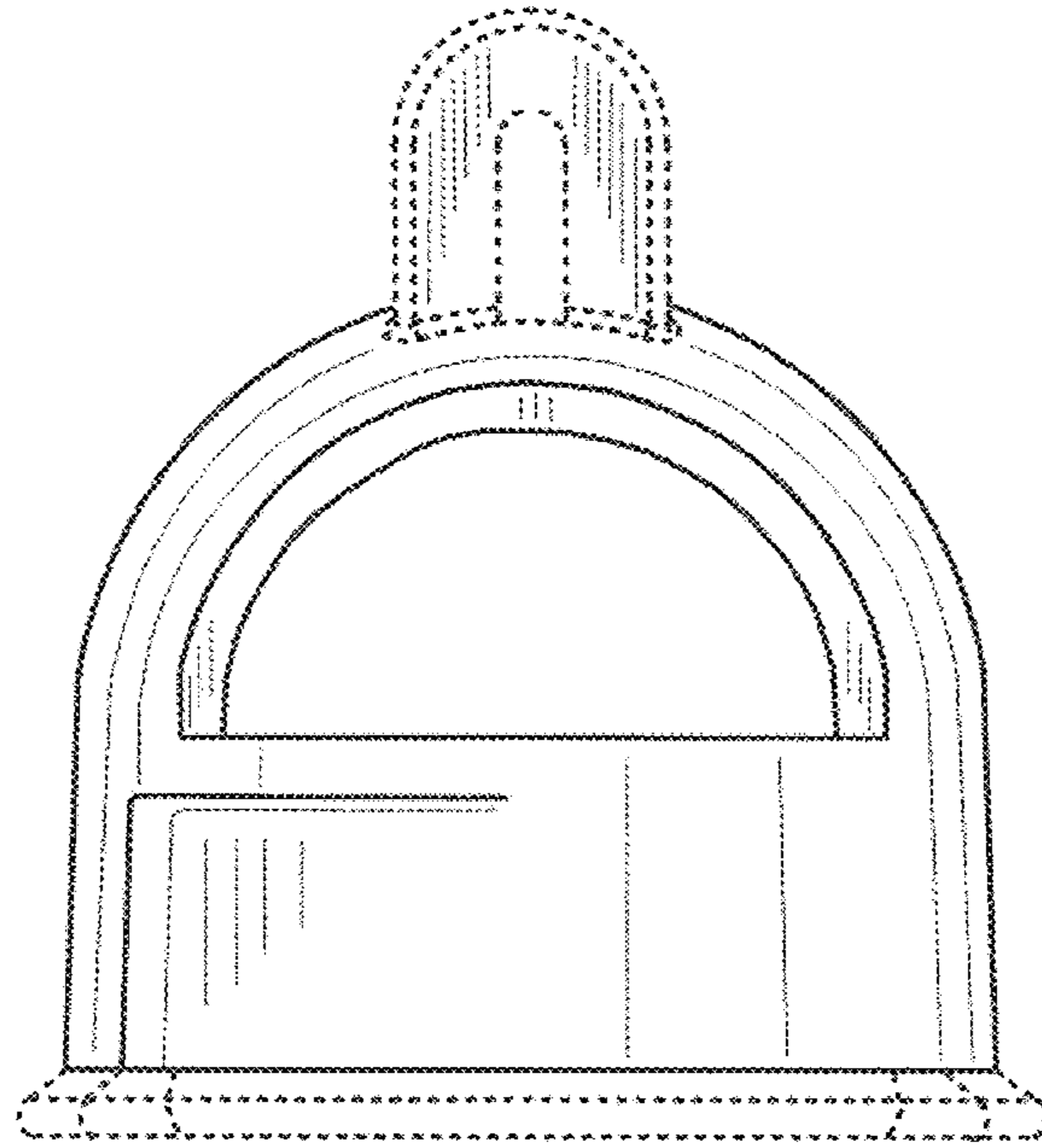


FIG. 4

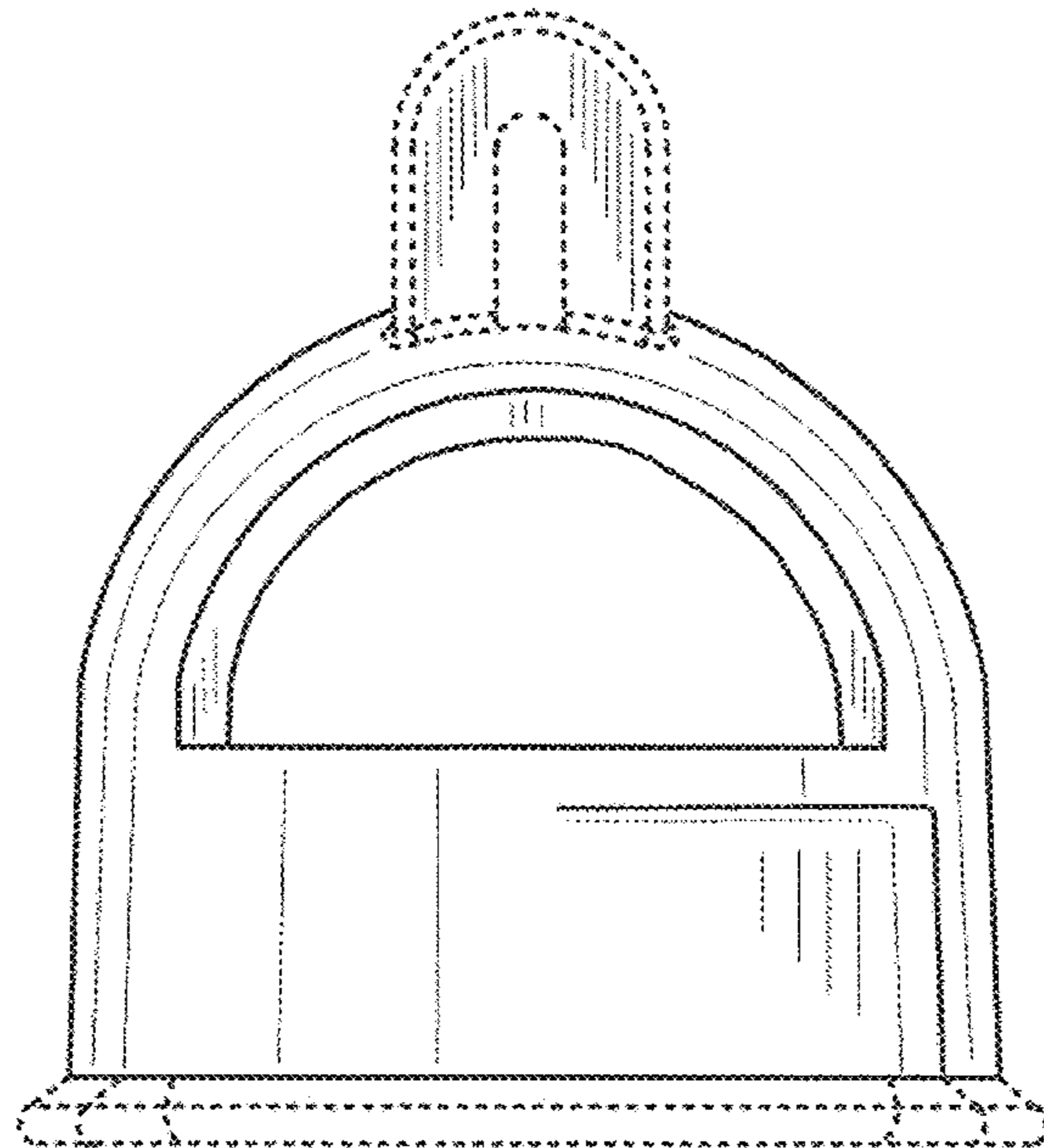


FIG. 5

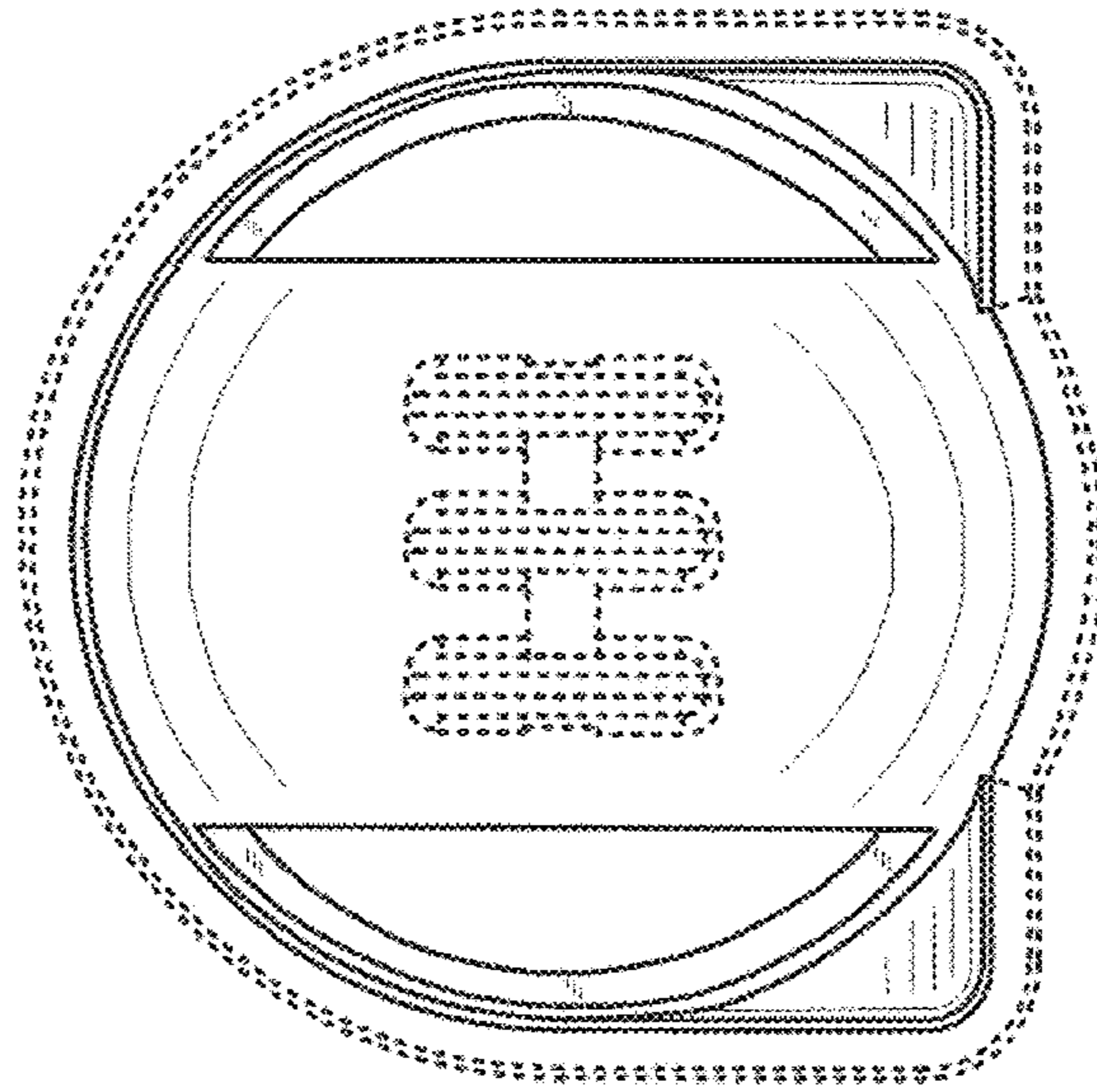


FIG. 6

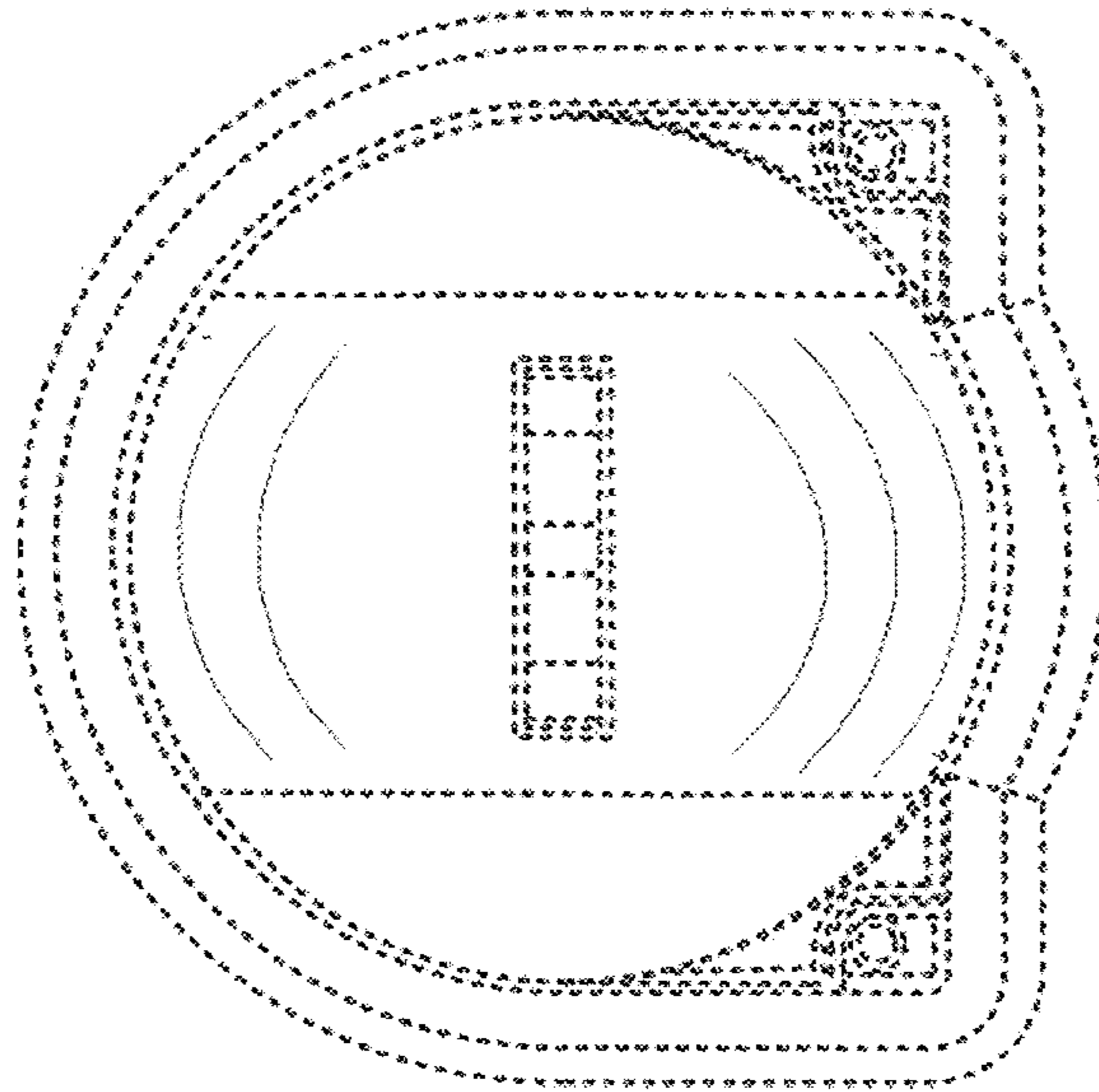


FIG. 7