



US00D937944S

(12) **United States Design Patent** (10) **Patent No.:** **US D937,944 S**
Henniger et al. (45) **Date of Patent:** **** Dec. 7, 2021**

(54) **WEIGHT PLATE**
(71) Applicant: **Coulter Ventures, LLC.**, Columbus, OH (US)
(72) Inventors: **William Henniger**, Columbus, OH (US); **Nicolas Garcia**, Centerburg, OH (US); **Ahmik Jones**, Upper Arlington, OH (US); **Anahita Ameri**, Columbus, OH (US)
(73) Assignee: **Coulter Ventures, LLC.**, Columbus, OH (US)
(**) Term: **15 Years**
(21) Appl. No.: **29/744,226**
(22) Filed: **Jul. 28, 2020**
(51) **LOC (13) Cl.** **21-02**
(52) **U.S. Cl.**
USPC **D21/680**
(58) **Field of Classification Search**
USPC D21/662, 682, 686, 694, 680, 681, 684, D21/679, 678
CPC A63B 21/072; A63B 23/12; A63B 21/06; A63B 21/0601
See application file for complete search history.

442,240 A 12/1890 Rojas et al.
445,153 A 1/1891 Lincir
445,154 A 1/1891 Lincir
(Continued)

FOREIGN PATENT DOCUMENTS

CN 3191234 6/2001
CN 2512467 Y 9/2002
(Continued)

OTHER PUBLICATIONS

Ader sporting goods Olympic plate, announced 2013 [online], [site visited Dec. 21, 2020]. Available from internet, URL: https://www.amazon.com/Olympic-Plate-Machine-Finished-Pair/dp/B00D4YOPR8/ref=sr_1_90?dchild=1&keywords=CAP%2BWEIGHT%2BPLATE&qid=1608582870&sr=8-90&th=1&psc=1 (Year: 2013).*
(Continued)

Primary Examiner — Khawaja Anwar
Assistant Examiner — Julice Seung Eun Oum
(74) *Attorney, Agent, or Firm* — Banner & Witcoff, Ltd.

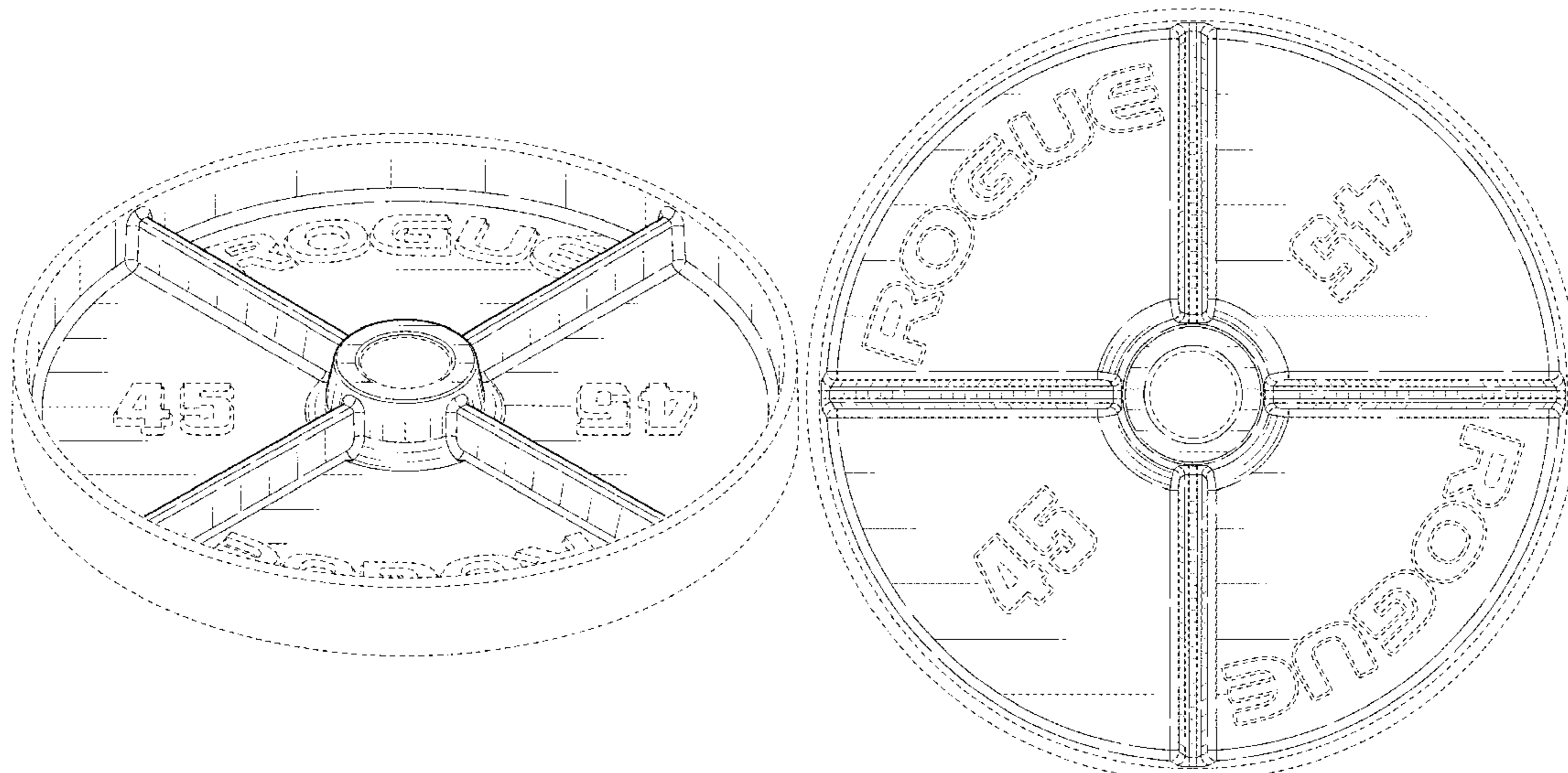
(57) **CLAIM**
The ornamental design for a weight plate, as shown and described.

DESCRIPTION

FIG. 1 is a top, front, right perspective view of a weight plate showing our new design;
FIG. 2 is a front view thereof;
FIG. 3 is a rear view thereof;
FIG. 4 is a right side view thereof;
FIG. 5 is a left side view thereof;
FIG. 6 is a top view thereof; and,
FIG. 7 is a bottom view thereof.
The broken lines depicting the remainder of the weight plate show features that form no part of the claimed design. The broken lines showing lettering form no part of the claimed design.

1 Claim, 4 Drawing Sheets

(56) **References Cited**
U.S. PATENT DOCUMENTS
405,484 A 6/1889 Rojas et al.
421,076 A 2/1890 Lincir
424,140 A 3/1890 Lincir
424,639 A 4/1890 Rojas et al.
428,947 A 5/1890 Harms et al.
433,720 A 8/1890 Rojas et al.
433,721 A 8/1890 Rojas et al.
434,090 A 8/1890 Wallace et al.
439,290 A 10/1890 Rojas et al.
441,412 A 11/1890 Rojas et al.
441,812 A 12/1890 Rojas et al.



(56)

References Cited

U.S. PATENT DOCUMENTS

445,854 A 2/1891 Harms et al.
 446,559 A 2/1891 Lincir
 448,055 A 3/1891 Lien et al.
 451,158 A 4/1891 Lincir
 451,159 A 4/1891 Rojas et al.
 463,001 A 11/1891 Buchanan
 476,383 A 6/1892 Chen
 483,083 A 9/1892 Allshouse et al.
 502,514 A 8/1893 Buchanan et al.
 516,639 A 3/1894 Hamilton
 566,209 A 8/1896 Alessandri et al.
 572,320 A 12/1896 Davies, III
 639,874 A 12/1899 Hillson
 643,075 A 2/1900 Childs
 673,230 A 4/1901 Qin
 751,157 A 2/1904 Irwin et al.
 6,014,078 A 1/2000 Rojas et al.
 D424,140 S 5/2000 Lincir
 D428,947 S 8/2000 Harms et al.
 D433,469 S 11/2000 Rojas et al.
 D433,720 S 11/2000 Rojas et al.
 D433,721 S 11/2000 Rojas et al.
 D439,290 S 3/2001 Rojas et al.
 D442,654 S 5/2001 Buchanan
 D445,854 S 7/2001 Harms et al.
 D446,559 S 8/2001 Lincir
 D450,361 S 11/2001 Harms et al.
 6,319,176 B1 11/2001 Landfair
 D454,167 S 3/2002 Lincir
 6,436,015 B1 8/2002 Frasco et al.
 D463,001 S 9/2002 Buchanan
 D474,517 S 5/2003 Harms
 D476,383 S 6/2003 Chen
 D483,083 S 12/2003 Allshouse et al.
 6,702,723 B2 3/2004 Landfair
 6,736,765 B2 5/2004 Wallace et al.
 6,746,380 B2 6/2004 Lien et al.
 6,991,590 B2 1/2006 Vigiano
 D516,639 S 3/2006 Hamilton
 7,198,591 B2 4/2007 Lien
 7,207,929 B2 4/2007 Hamilton
 7,300,389 B2 11/2007 Lien et al.
 D562,415 S 2/2008 Xu et al.
 D562,919 S 2/2008 Hillson
 D573,208 S 7/2008 Davies, III
 7,517,305 B2 4/2009 Lien
 D606,133 S 12/2009 Lien
 7,625,322 B1 * 12/2009 Krull A63B 21/063
 482/106
 D609,526 S 2/2010 Tuttle
 7,704,196 B2 4/2010 Lien et al.
 7,828,702 B2 11/2010 Lien et al.
 D639,874 S 6/2011 Hillson
 D660,928 S 5/2012 Guarrasi
 D673,230 S 12/2012 Qin
 D684,224 S 6/2013 Davies, III
 D692,969 S 11/2013 Davies, III
 D695,128 S 12/2013 Ozsinmaz
 D732,613 S 6/2015 Davies, III
 D749,177 S 2/2016 Childs
 D751,157 S 3/2016 Irwin et al.
 9,358,414 B2 * 6/2016 Dephouse A63B 21/0608
 9,364,704 B1 * 6/2016 Kuka A63B 21/0726
 D771,205 S 11/2016 Davies, III
 D777,266 S 1/2017 Davies, III
 9,682,268 B2 6/2017 Breitzkreutz et al.
 10,005,317 B2 * 6/2018 Biderman B60L 53/00
 10,040,259 B2 8/2018 Lister et al.
 D831,134 S 10/2018 Hillson
 D842,399 S 3/2019 Arceta
 D842,941 S * 3/2019 Brezovar D21/680
 D851,711 S 6/2019 Brezovar
 D852,637 S 7/2019 Becerra
 D854,636 S 7/2019 Nelson
 D861,809 S * 10/2019 Jones D21/697

D896,901 S 9/2020 Jones
 2003/0083179 A1 5/2003 Landfair
 2004/0077466 A1 4/2004 Wallace et al.
 2004/0092370 A1 5/2004 Lincir
 2005/0026754 A1 2/2005 Lien et al.
 2006/0073948 A1 4/2006 Lincir
 2006/0211547 A1 * 9/2006 Lien A63B 21/0728
 482/93
 2006/0293155 A1 12/2006 Hamilton
 2007/0027007 A1 2/2007 Frasco
 2007/0135271 A1 * 6/2007 Lien A63B 21/0724
 482/93
 2007/0142188 A1 6/2007 Lien
 2007/0184943 A1 8/2007 Davies
 2008/0153678 A1 * 6/2008 McClusky A63B 21/06
 482/106
 2010/0022359 A1 * 1/2010 Lin A63B 21/0724
 482/93
 2012/0094810 A1 4/2012 Anderson
 2014/0024504 A1 1/2014 Potts et al.
 2014/0057764 A1 2/2014 Klukas
 2014/0256521 A1 * 9/2014 Davies, III A63B 21/0728
 482/107
 2015/0231441 A1 * 8/2015 Davies, III A63B 21/4035
 482/107
 2017/0113088 A1 * 4/2017 Hollingshead A63B 21/0724
 2017/0149269 A1 5/2017 Rojas et al.

FOREIGN PATENT DOCUMENTS

CN 303340060 8/2015
 CN 303896560 10/2016
 CN 304438760 1/2018
 CN 305524546 12/2019
 EM 003110402-0001 7/2016
 EM 007065669-0001 10/2019
 ES 1038081 U 5/1998

OTHER PUBLICATIONS

Cap barbell 45 lb gray Olympic weight plate, announced 2017 [online], [site visited Dec. 21, 2020]. Available from internet, URL: https://www.amazon.com/CAP-Barbell-Olympic-Weight-Single/dp/B003070MZI/ref-sr_1_23?dchild-1&keywords-ROGUE+WEIGHT+PLATE&qid=1608582701&sr=8-23 (Year: 2017).*

Product listing for CAP 12-sided Olympic Rubber Coated Grip Plate from <<https://web.archive.org/web/20170621232634/http://capbarbell.com/cap-barbell-12-sided-2-rubber-grip-plate/>>, dated Jun. 21, 2017.

Product listing for Rogue 6-Shooter Urethane Olympic Grip Plates from <<https://web.archive.org/web/20170714033025/http://www.roguefitness.com:80/rogue-6-shooter-urethane-olympic-grip-plates>>, dated Jul. 14, 2017.

CAP Barbell Weight Plates listing from <<https://web.archive.org/web/20180103173524/http://capbarbell.com/strength/weight-plates>>, dated Jan. 3, 2018.

BodyRip PREMIUM PRO (2 x 10kg) Olympic-Grip Rubber Plates: Published Mar. 24, 2014 [online], site visited Dec. 1, 2019, Available from Internet URL: https://www.amazon.co.uk/dp/B00J7S8ZGC/ref=cm_sw_r_tw_dp_U_x_Xof5DbXRFZ5AC (Year: 2014).

Viavito Tri Grip Vinyl Standard Weight Plates: Published Mar. 17, 2016 [online], site visited Dec. 1, 2019. Available from Internet URL: https://www.amazon.co.uk/dp/B01D3U5RXI/ref=cm_sw_r_tw_dp_U_x_epf5Db1B78TVQ (Year: 2016).

Bodypower 10kg Tri Grip Vinyl Standard (1 Inch) Weight Disc Plates: Published Jun. 10, 2013 [online], site visited Dec. 1, 2019. Available from Internet URL: https://www.amazon.co.uk/dp/B00E4WH2NS/ref=cm_sw_r_tx_dp_U_x_Fpf5DbMHT60MN (Year: 2013).

BodyRip Olympic Polygonal Weight Plates: Published Feb. 3, 2015 [online], site visited Dec. 1, 2019. Available from Internet URL: https://www.amazon.co.uk/dp/B00T4GM5W2/ref=cm_sw_r_tw_dp_U_x_ASg5DbMR69J5P (Year: 2015).

(56)

References Cited

OTHER PUBLICATIONS

BodyRip Polygonal Weight Plates 1 × 10kg BodyRip: Published Feb. 7, 2014 [online], site visited Dec. 1, 2019. Available from Internet URL: https://www.amazon.co.uk/dp/B00IARQAWW/ref=cm_sw_r_tw_dp_U_x_5lf5DbXR685AX (Year 2014).

Mar. 10, 2020 (WO) International Search Report & Written Opinion PCT/US2019/064237.

Ignite by Spri Weight Plates: Published 2017[online], site visited Dec. 1, 2019 Available from Internet URL: https://www.amazon.com/dp/B001F1Y1G/ref=cm_sw_r_tw_dp_U_x_MSN7DbQ7T67HB (Year: 2017).

Body Solid Rubber Grip Olympic Weight Plates (ORST255) Body-solid: Published Feb. 2, 2009tonline, site visited Dec. 1, 2019. Available from Internet URL: https://www.amazon.com/dp/B001FIY17C/ref=cm_sw_r_tw_dp_U_x_MSN7DbQ7T67H8 (Year: 2009). Product listing for 2" Deep Dish Olympic Weight Plates, from <https://yorkbarbell.com/product/deep-dish-olympic-plate/>, dated Jul. 7, 2020.

Product listing for Apollo Athletics Deep Dish Olympic Plates, from <https://www.showmeweights.com/apollo-athletics-deep-dish-olympic-plates.html>, dated Jul. 7, 2020.

Shoto of Olympic Standard Barbell Weight Plates, from https://www.picclicking.com/d/1400/pict/132810172419_/Olympic-Standard-Barbell-Vintage-Deep-Dish-Weight-Plates.jpg, dated Jul. 7, 2020.

Product listing for 2" Hole Olympic Weights and Hampton Olympic Bars, from <https://www.google.com/url?sa=i&url=http%3A%2F%2Fwww.shoppok.com%2Ftoledo%2Fa%2C39%2C138616%2C2-hole-Olympic-Weights-and-Hampton-Olympic-bars-Ypsilanti-mi-48197-.htm&psig=AOvVaw1beW0Nv1j4xfi64WvSomVK&ust=1592656917597000&source=images&cd=vfe&ved=0CAIQjRxqFwoTCMDE38HzjeoCFQAAAAAdAAAAABAJ>, dated Jul. 7, 2020.

Photo of York Olympic Standard Barbell Weight Plates, from <https://external-preview.redd.it/GelL3ODNpQ8Rv7Xu1vfzNyPzFSSdljn9crrZ4i5T5-4.jpg?auto=webp&s=d87da24a6c3837e0e90f9c88b366c7781fb9f150>, dated Jul. 7, 2020.

A Guide to Buying Steel Powerlifting Plates & Discs, from <https://www.garage-gyms.com/steel-powerlifting-weight-plates-discs-guide-review/>, dated Nov. 16, 2017.

Photo of York Barbell Weight Plates, from [https://i.ebayimg.com/00/s/OTQzWDE2MDA=/z/FkEAAOSwi~deOkZf/\\$_3.JPG?set_id=8800005007](https://i.ebayimg.com/00/s/OTQzWDE2MDA=/z/FkEAAOSwi~deOkZf/$_3.JPG?set_id=8800005007), dated Jul. 7, 2020.

Photo of York Olympic Standard Barbell Weight Plate, from https://www.picclicking.com/d/1400/pict/162970072869_/245-lbs-Vintage-Deep-Dish-York-made-in-USA-Olympic.jpg, dated Jul. 7, 2020.

Screen capture of Rogue Elephant Bar Deadlift—Full Live Stream | Arnold Strongman Classic 2020, from https://www.youtube.com/watch?v=CuYsT9GeUmc&feature=emb_rel_pause, dated Mar. 7, 2020.

Product listing for Rogue Olympic Plates; from: <http://web.archive.org/web/20190402011443/https://www.roguefitness.com/rogue-olympic-plates>; dated Jun. 14, 2014, accessed Jul. 1, 2021.

* cited by examiner

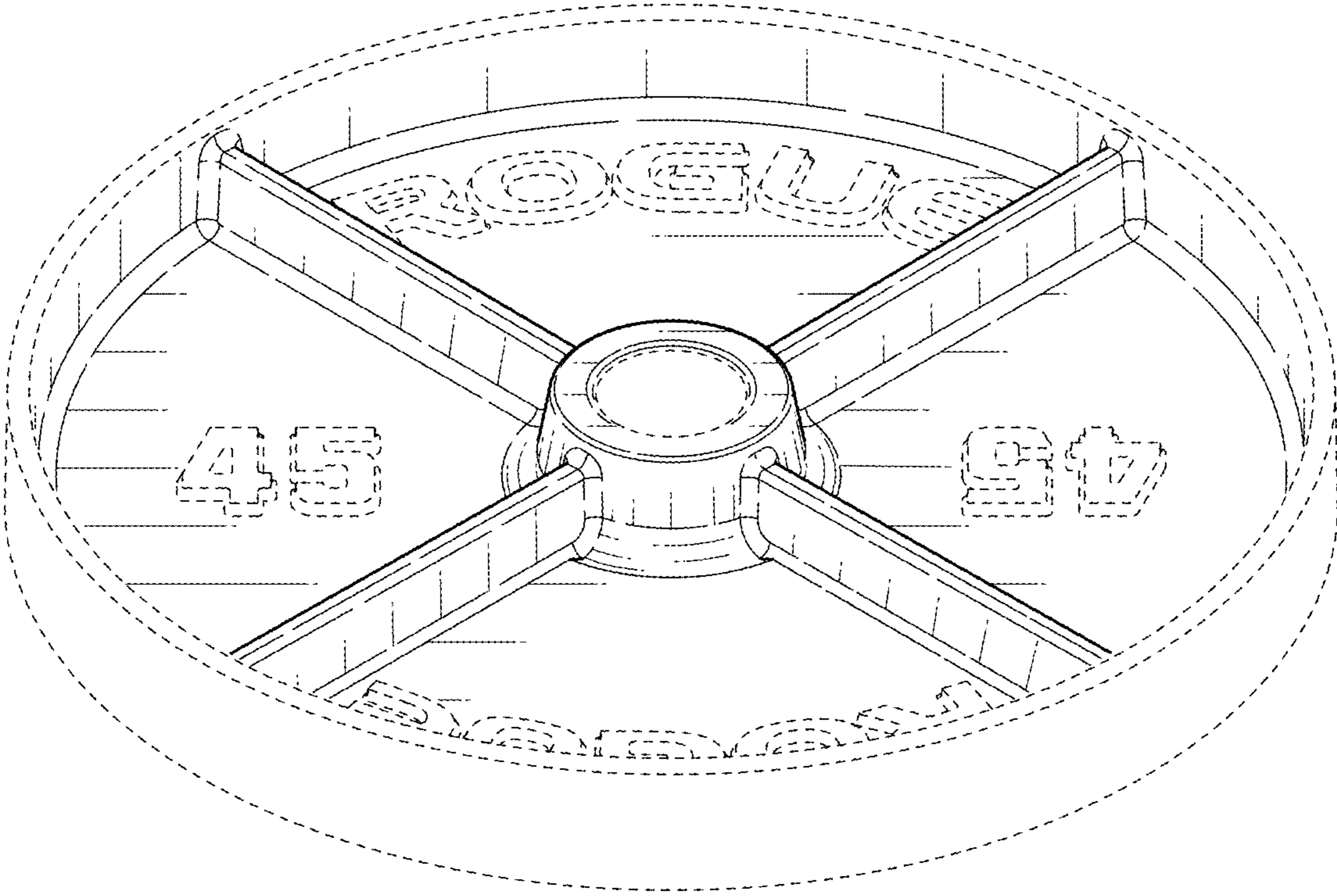


FIG. 1



FIG. 2



FIG. 3



FIG. 4

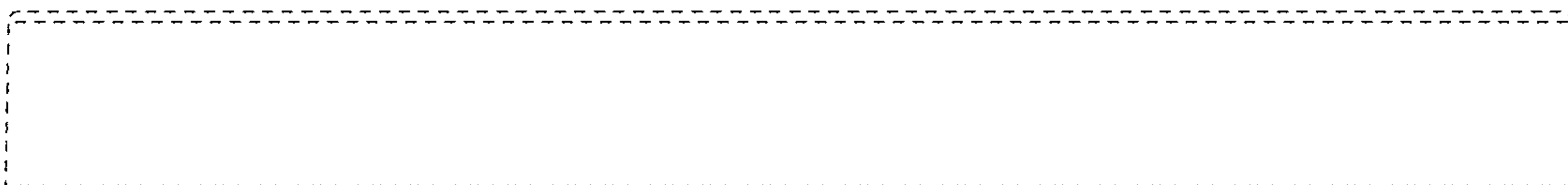


FIG. 5

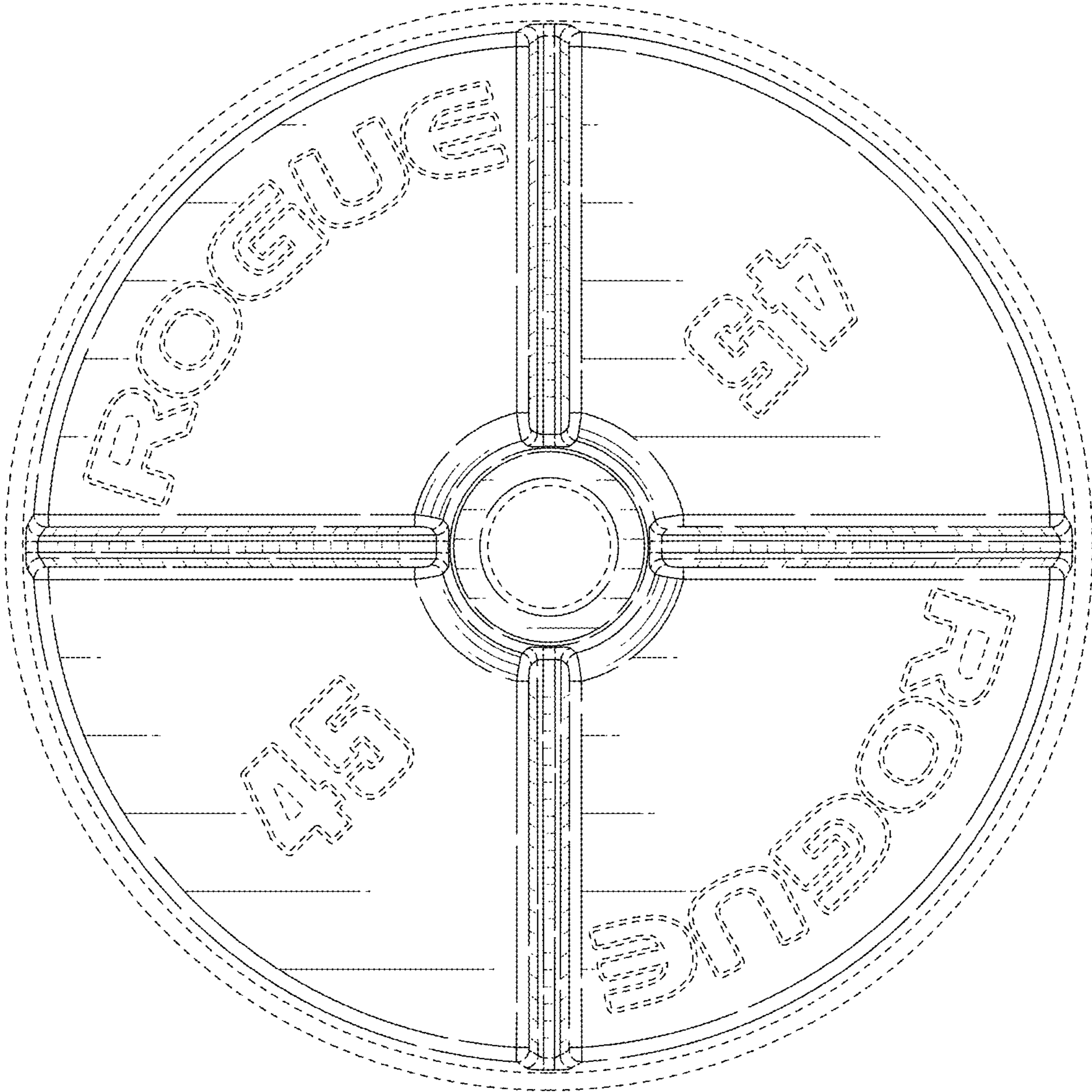


FIG. 6

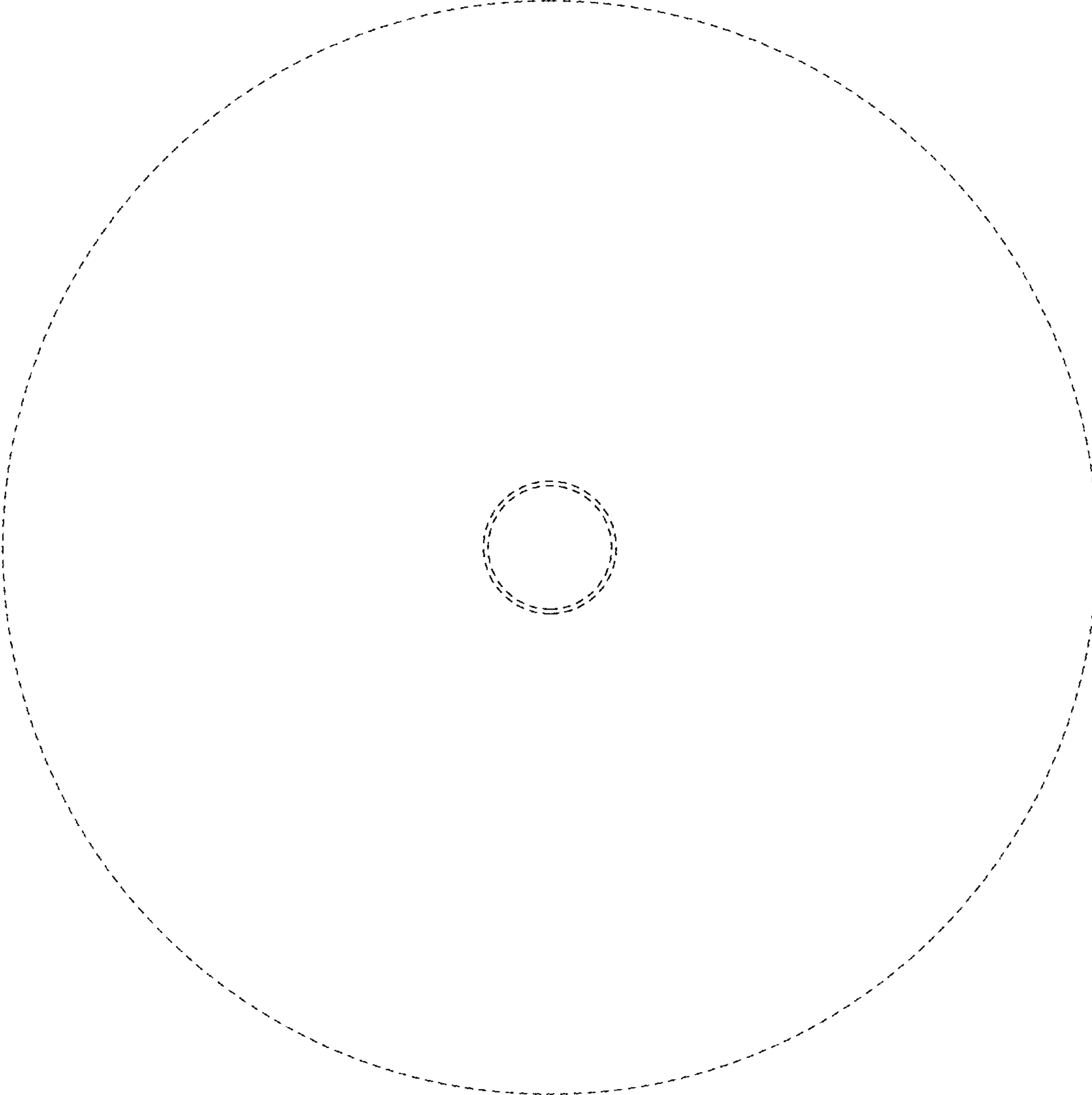


FIG. 7