



US00D937943S

(12) **United States Design Patent** (10) **Patent No.:** **US D937,943 S**
Rothschild (45) **Date of Patent:** **** Dec. 7, 2021**

(54) **WEIGHT PLATE**
(71) Applicant: **Sound Shore Innovations L.L.C.**,
Darien, CT (US)
(72) Inventor: **Kyle D. Rothschild**, Darien, CT (US)
(73) Assignee: **Sound Shore Innovations L.L.C.**,
Darien, CT (US)
(**) Term: **15 Years**
(21) Appl. No.: **29/717,246**
(22) Filed: **Dec. 16, 2019**
(51) **LOC (13) Cl.** **21-02**
(52) **U.S. Cl.**
USPC **D21/680**
(58) **Field of Classification Search**
USPC D21/662, 682, 686, 694, 680, 681, 684,
D21/679, 678
CPC A63B 21/072; A63B 23/12; A63B 21/06;
A63B 21/0601
See application file for complete search history.

2019/0143742 A1* 5/2019 Ferry A63B 21/0601
428/195.1
2019/0232100 A1* 8/2019 Rothschild A63B 71/0054
2020/0360755 A1* 11/2020 Rothschild A63B 21/0607
2020/0384307 A1* 12/2020 Bowers A63B 21/0728

OTHER PUBLICATIONS

Garage gym reviews, announced Nov. 2019 [online], [site visited Dec. 23, 2020], Available from internet, URL: <https://www.instagram.com/p/B4dFzdNpQkZ/?igshid=h3pwlmfqjovh> (Year: 2019).*

* cited by examiner

Primary Examiner — Khawaja Anwar
Assistant Examiner — Julice Seung Eun Oum
(74) *Attorney, Agent, or Firm* — Jones Day

(57) **CLAIM**

The ornamental design for a weight plate, as shown and described.

DESCRIPTION

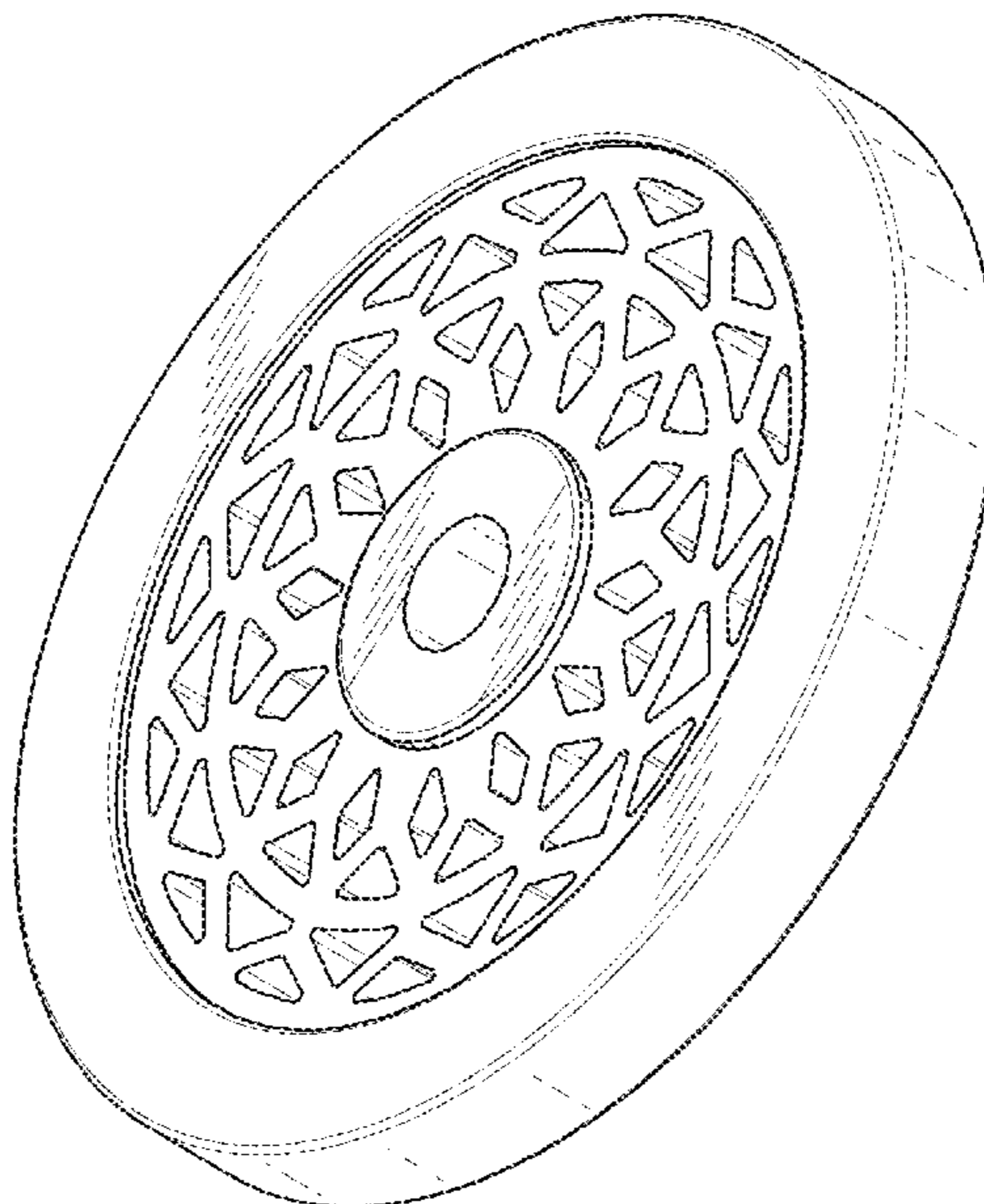
FIG. 1 is a perspective view of a weight plate showing my new design, the bottom perspective view being a mirror image;
FIG. 2 is a top plan view thereof;
FIG. 3 is a bottom plan view thereof which is a mirror image of the top plan view;
FIG. 4 is a left side elevational view thereof;
FIG. 5 is a right side elevational view thereof which is a mirror image of the left side elevational view;
FIG. 6 is a front elevational view thereof; and,
FIG. 7 is a rear elevational view thereof which is a mirror image of the front elevational view.

(56) **References Cited**

U.S. PATENT DOCUMENTS

D424,140 S * 5/2000 Lincir D21/680
D445,153 S * 7/2001 Lincir D21/680
D445,154 S * 7/2001 Lincir D21/680
D446,265 S * 8/2001 Lincir D21/680
D451,158 S * 11/2001 Lincir D21/680
9,126,077 B2* 9/2015 Rothacker A63B 21/0728
10,076,679 B2* 9/2018 Dickerson A63B 21/0602
10,456,655 B1* 10/2019 Orehek A63B 71/0036
10,537,777 B1* 1/2020 Tash A63B 65/10
10,773,117 B1* 9/2020 Goldberg A63B 21/0724
2008/0050260 A1* 2/2008 Iwanami F04C 29/02
418/55.6
2018/0028857 A1* 2/2018 Rothschild F16F 1/3732
2019/0111304 A1* 4/2019 Gilman A63B 5/16

1 Claim, 4 Drawing Sheets



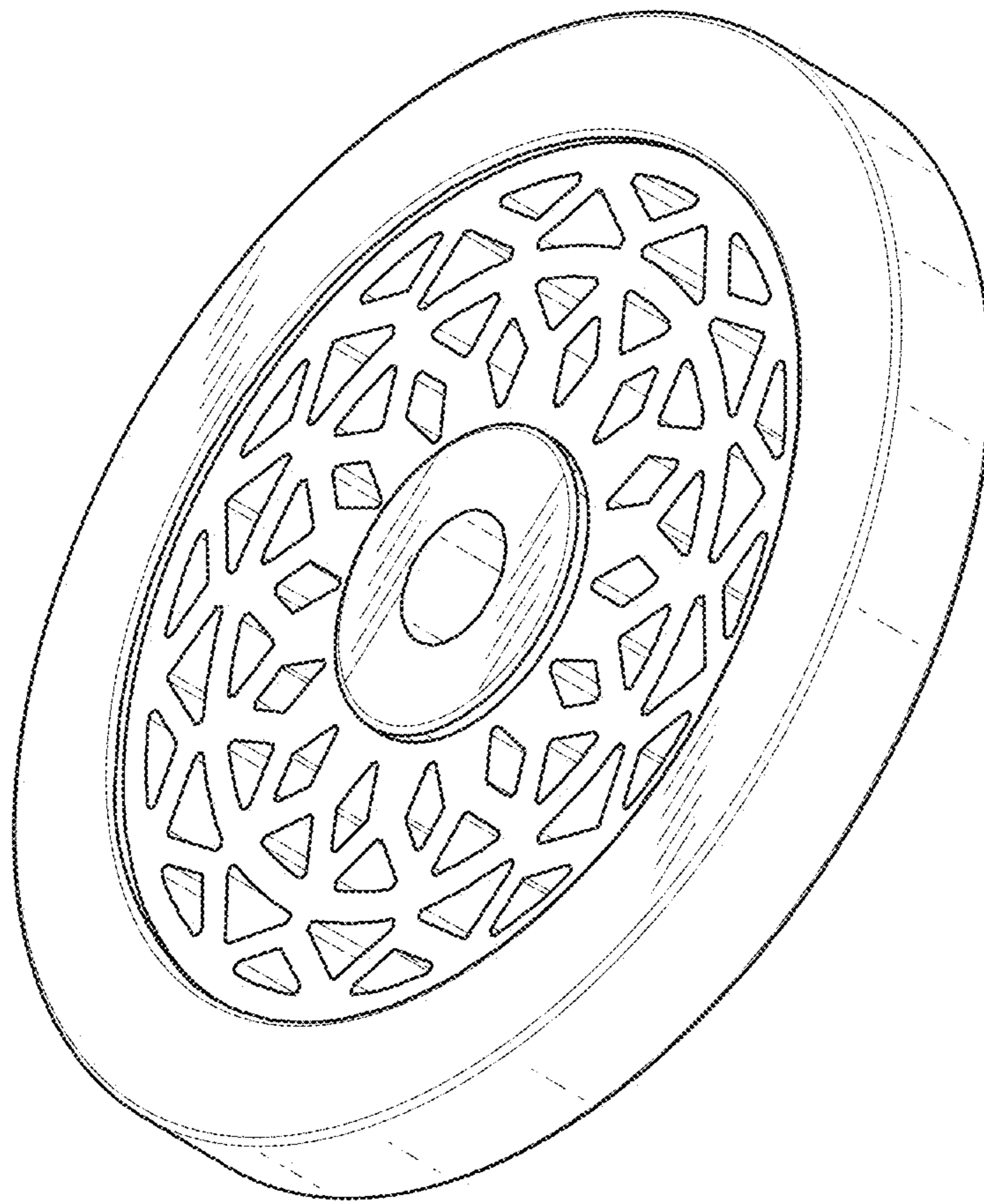


FIG. 1

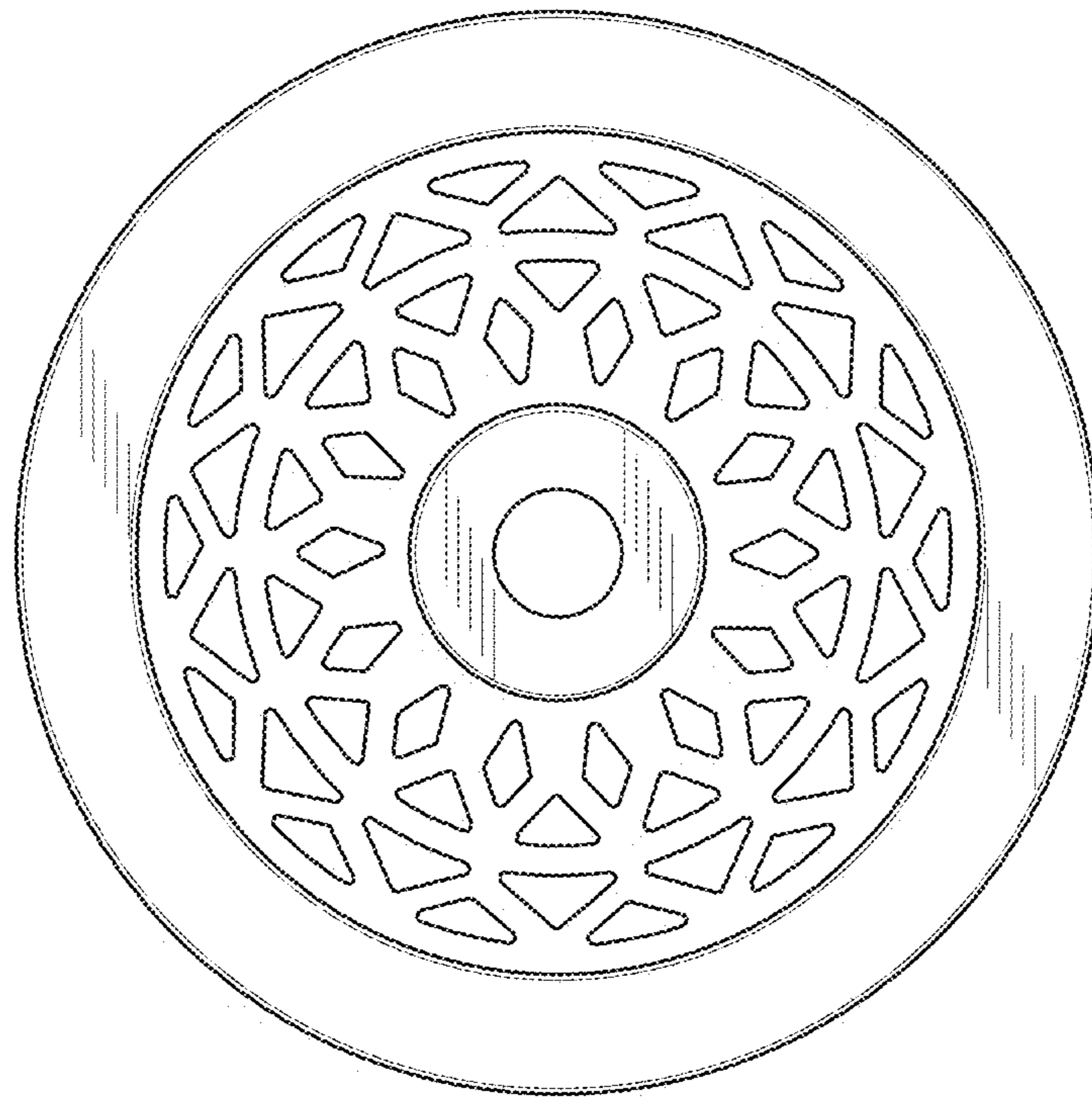


FIG. 2

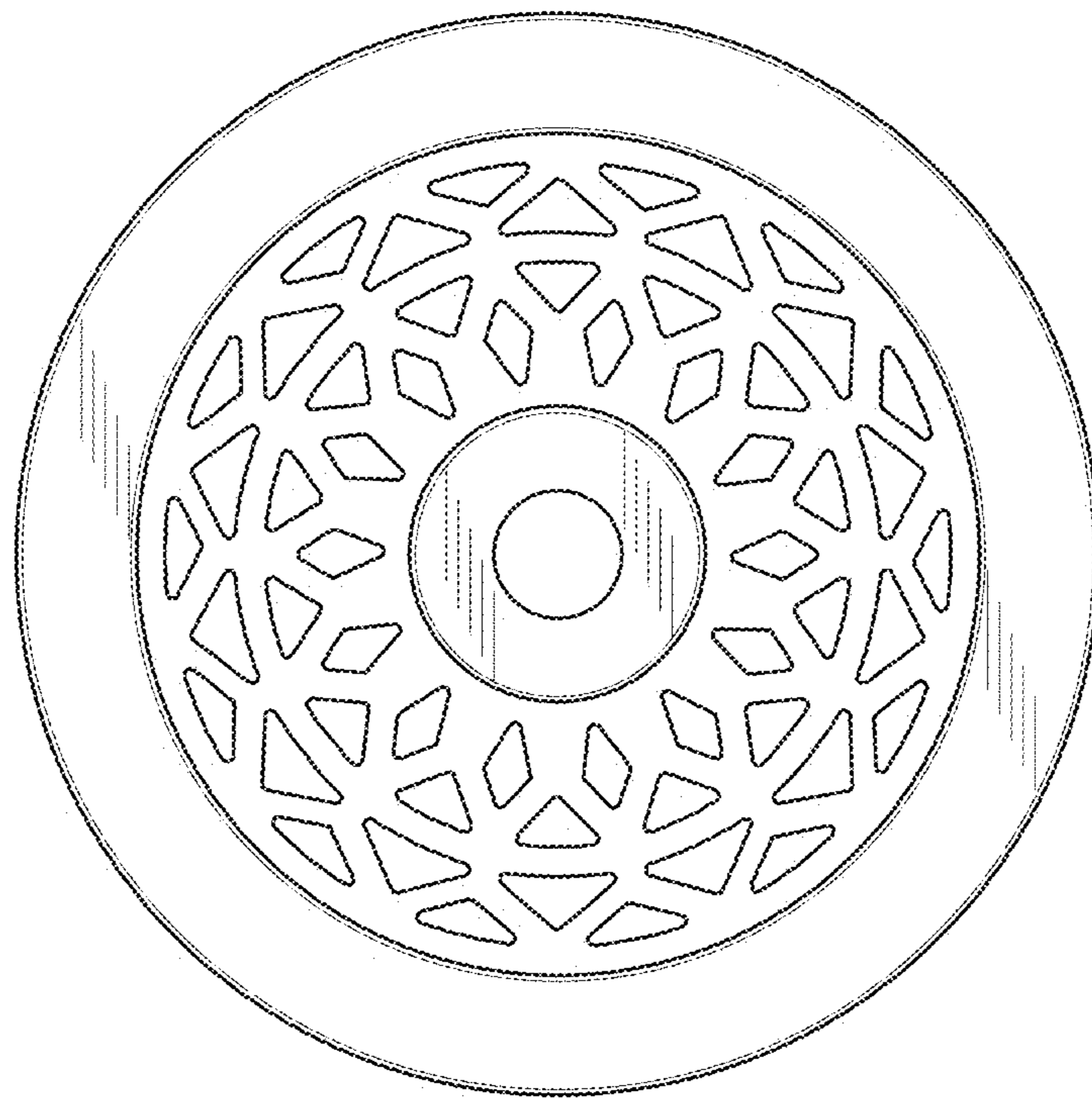


FIG. 3



FIG. 4



FIG. 5



FIG. 6



FIG. 7