



US00D937941S

(12) **United States Design Patent** (10) **Patent No.:** **US D937,941 S**
Li (45) **Date of Patent:** **** Dec. 7, 2021**

(54) **SOLAR-POWERED TOY ROBOT**
 (71) Applicant: **Xuefang Li**, Guihu Town (CN)
 (72) Inventor: **Xuefang Li**, Guihu Town (CN)
 (**) Term: **15 Years**
 (21) Appl. No.: **29/752,405**
 (22) Filed: **Sep. 27, 2020**
 (51) **LOC (13) Cl.** **21-01**
 (52) **U.S. Cl.**
 USPC **D21/578**; D15/199
 (58) **Field of Classification Search**
 USPC D21/578-586; D19/59; D15/199
 CPC . B25J 9/00; B25J 9/0003; B25J 9/0006; B25J
 13/00; B25J 5/00; B25J 5/007
 See application file for complete search history.

D841,103 S * 2/2019 Lee D21/578
 D857,553 S * 8/2019 Tatopoulos D12/1
 D870,213 S 12/2019 Katayama et al.
 D878,493 S 3/2020 Katayama et al.
 D882,705 S * 4/2020 Lee D21/578
 D891,491 S 7/2020 Insile et al.
 D891,533 S 7/2020 Lee
 D891,534 S 7/2020 Guo
 D922,464 S * 6/2021 Xin D15/199

* cited by examiner

Primary Examiner — Zenia I Bennett

(74) *Attorney, Agent, or Firm* — Law Offices of Steven W. Weinrieb

(57) **CLAIM**

The ornamental design for a solar-powered toy robot, as shown and described.

(56) **References Cited**

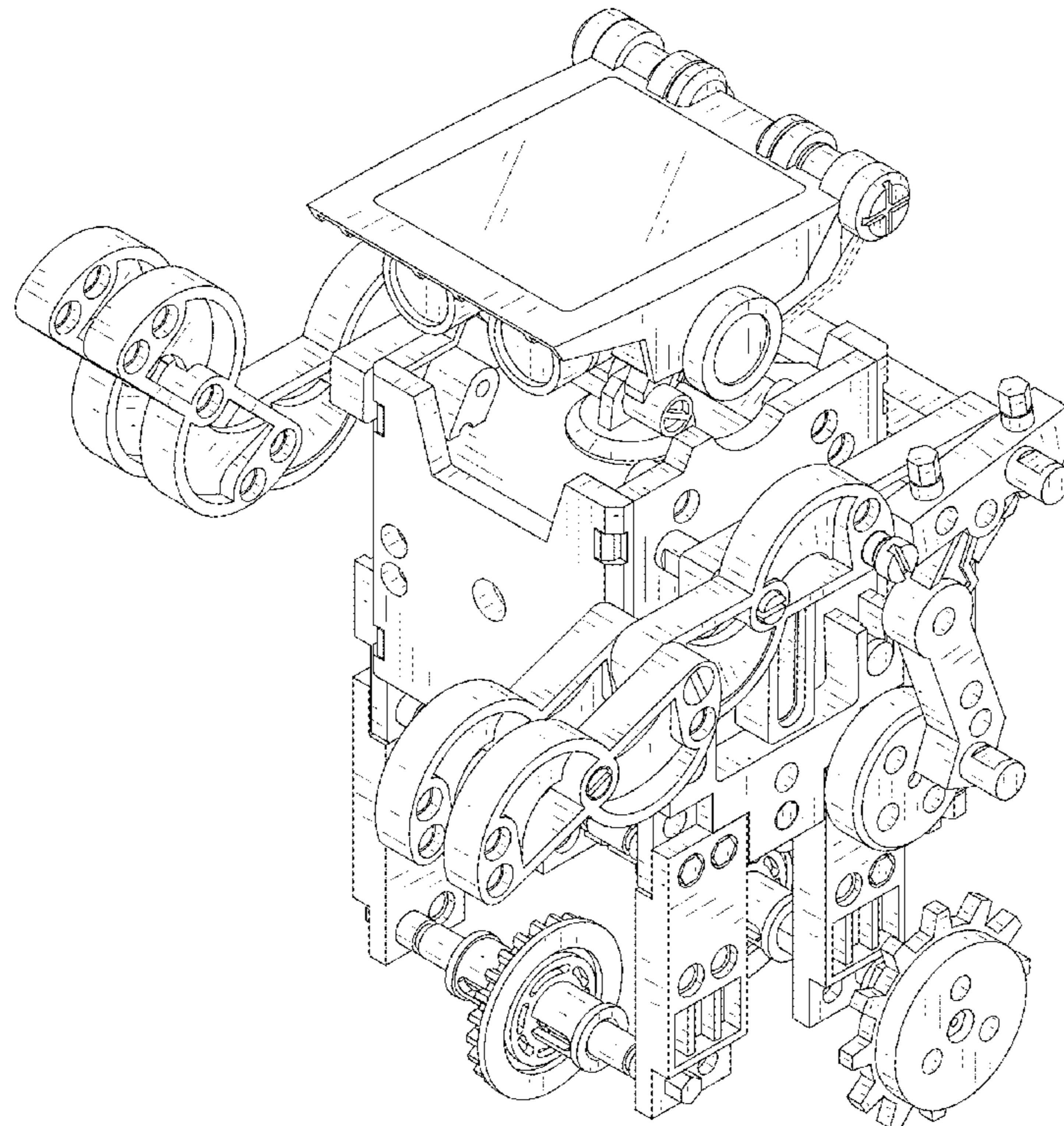
U.S. PATENT DOCUMENTS

D622,786 S * 8/2010 Lee D21/578
 D681,134 S * 4/2013 Lee D21/578
 D711,479 S * 8/2014 Lee D21/578
 D712,984 S 9/2014 Lee
 D713,477 S 9/2014 Lee
 D715,379 S * 10/2014 Kitamura A63H 3/00
 D21/578
 D715,380 S * 10/2014 Ito A63H 3/00
 D21/578
 D715,381 S * 10/2014 Ito A63H 3/00
 D21/578
 D715,382 S * 10/2014 Ito A63H 3/00
 D21/578

DESCRIPTION

FIG. 1 is a front, right side, top perspective view of a solar-powered toy robot showing my new design;
 FIG. 2 is a rear, left side, bottom perspective view thereof;
 FIG. 3 is a front elevational view thereof;
 FIG. 4 is a rear elevational view thereof;
 FIG. 5 is a left side elevational view thereof;
 FIG. 6 is a right side elevational view thereof;
 FIG. 7 is a top plan view thereof; and,
 FIG. 8 is a bottom plan view thereof.
 The broken lines depict portions of the solar-powered toy robot that form no part of the claimed design.

1 Claim, 8 Drawing Sheets



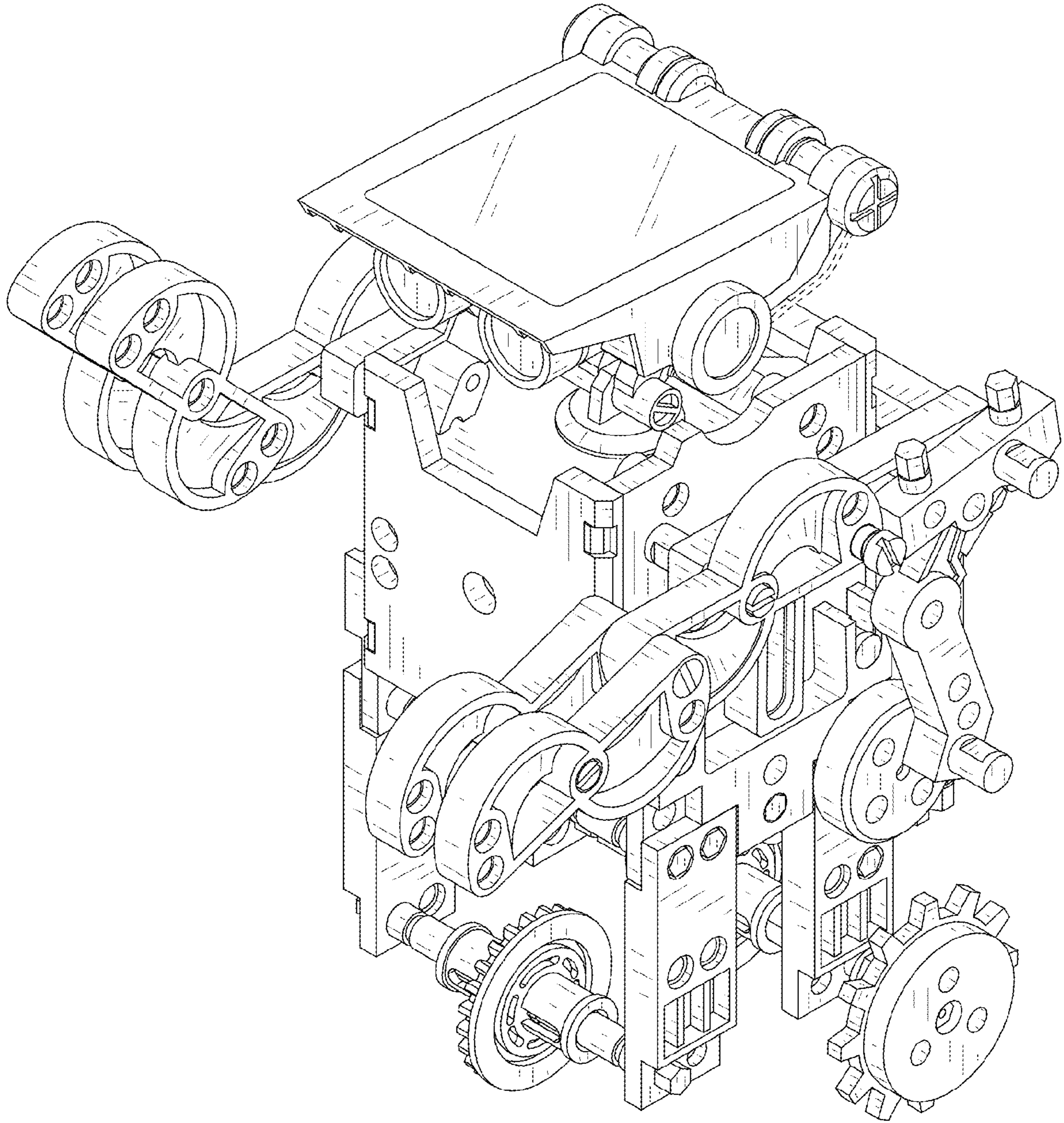


FIG. 1

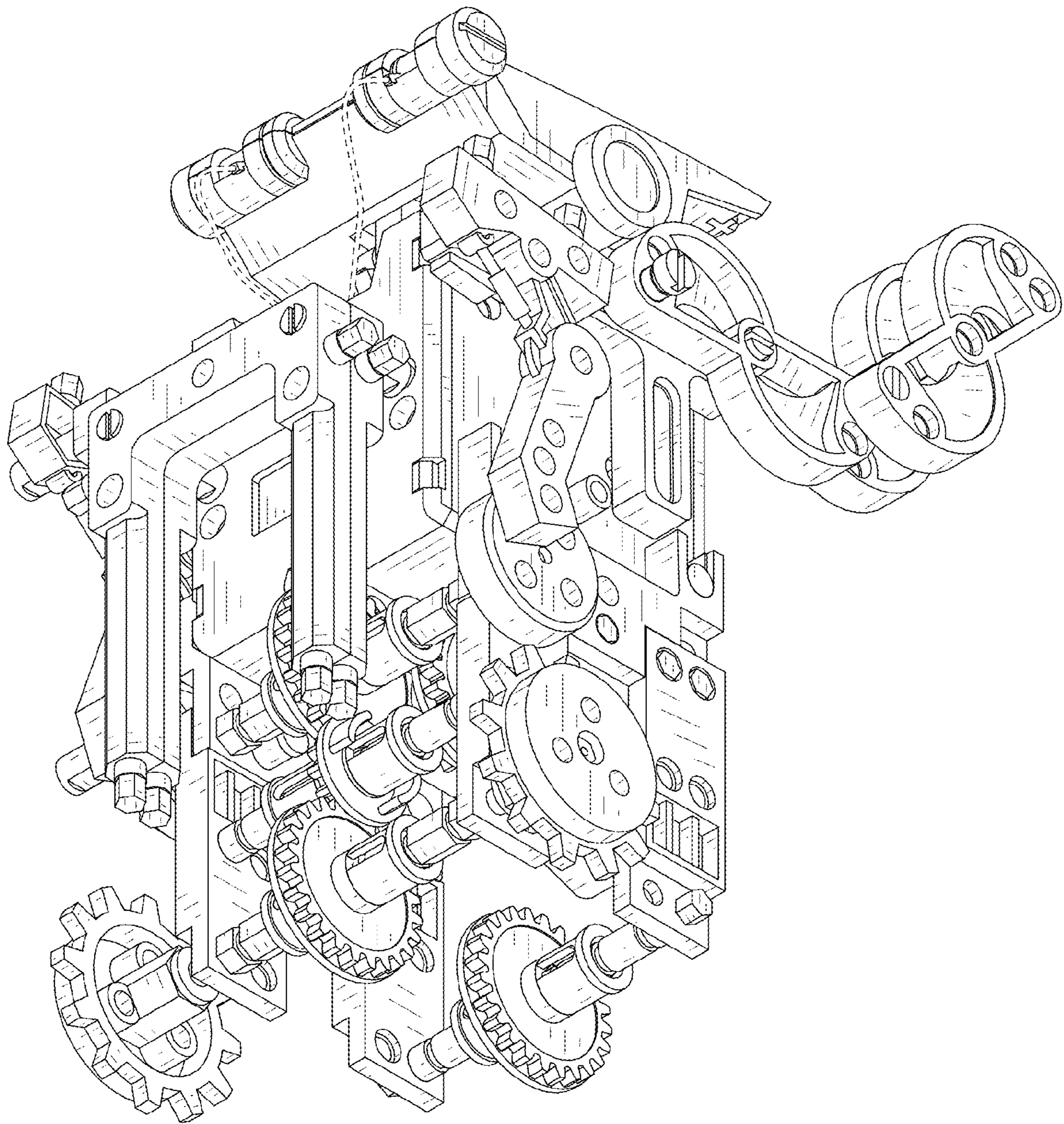


FIG. 2

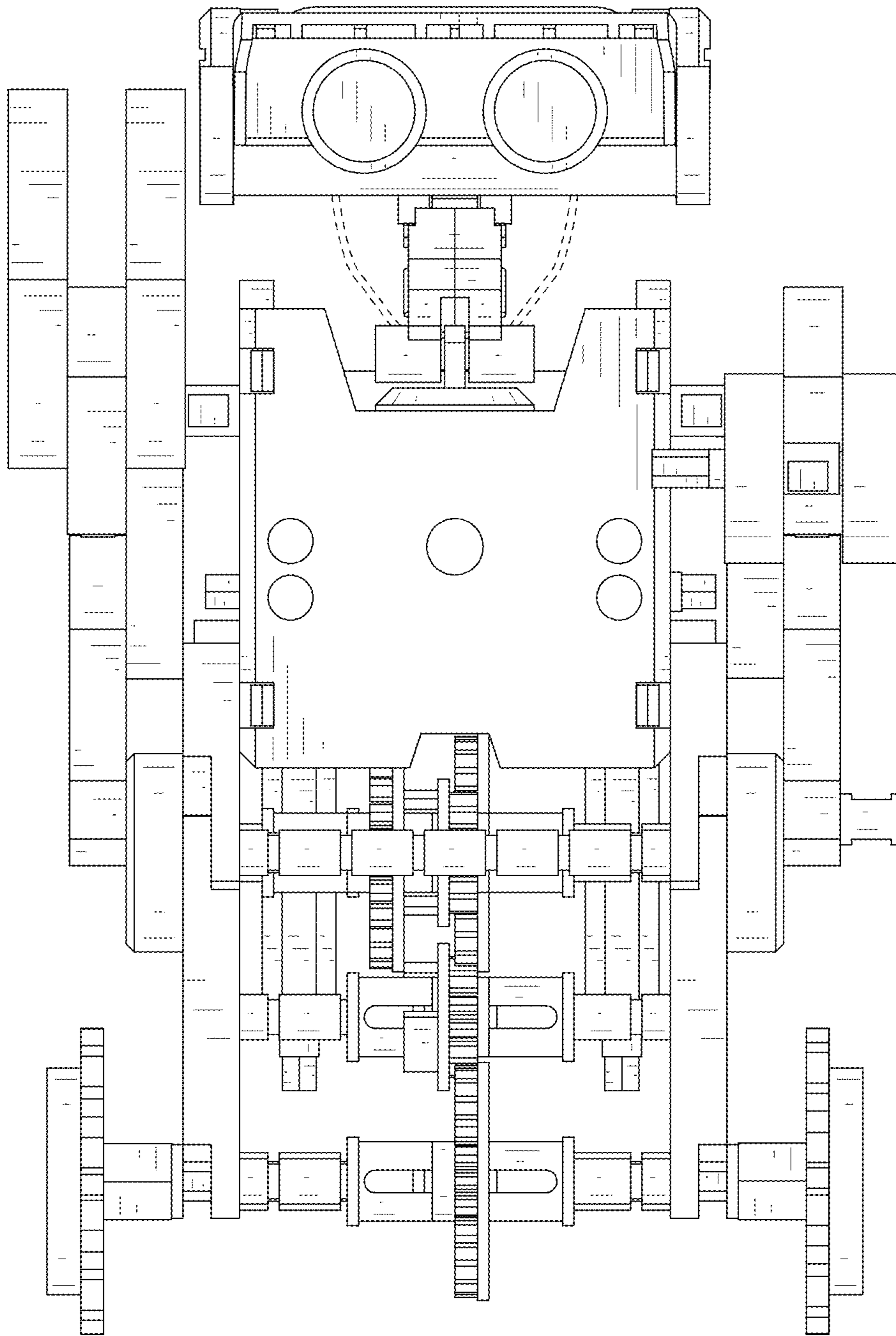


FIG. 3

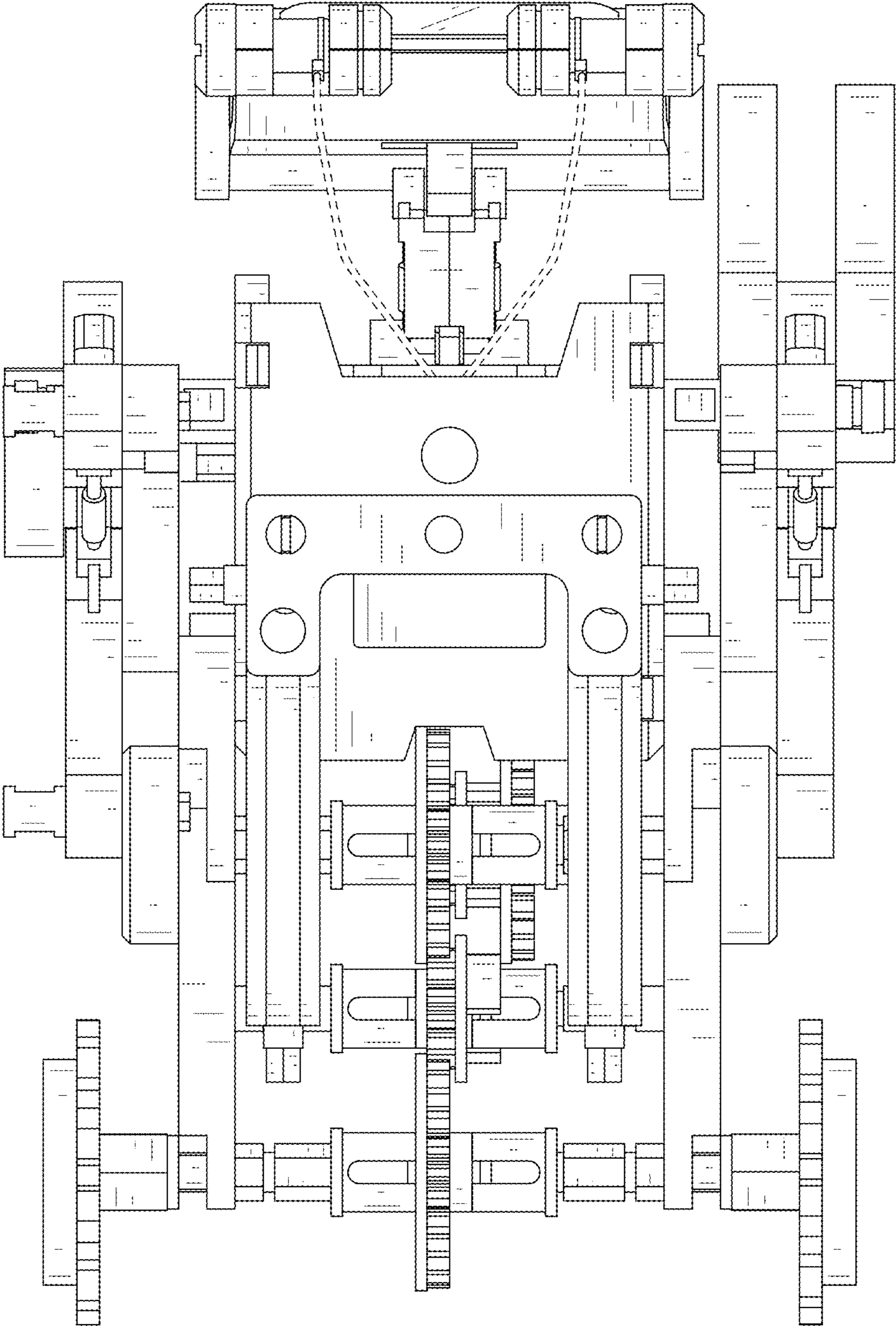


FIG. 4

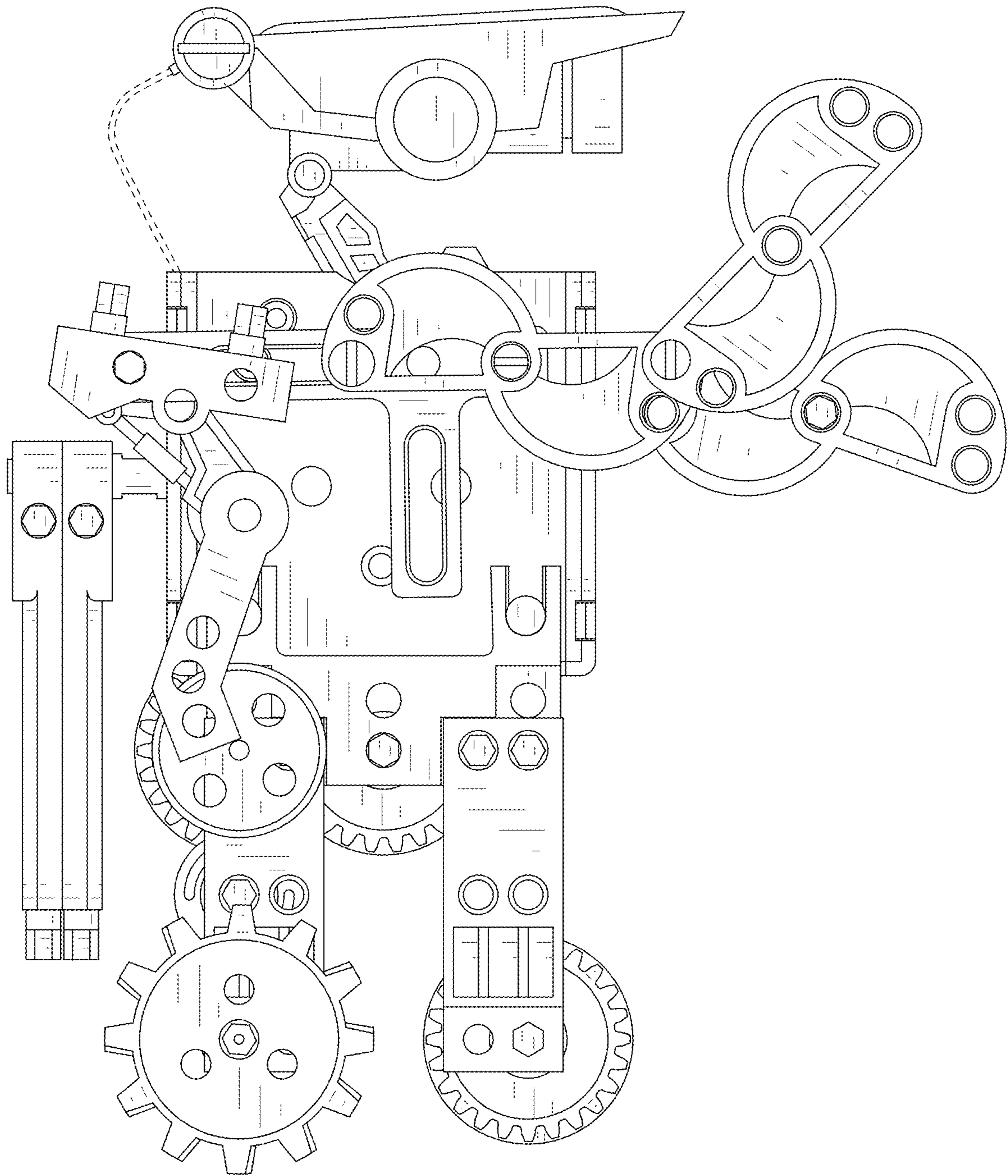


FIG. 5

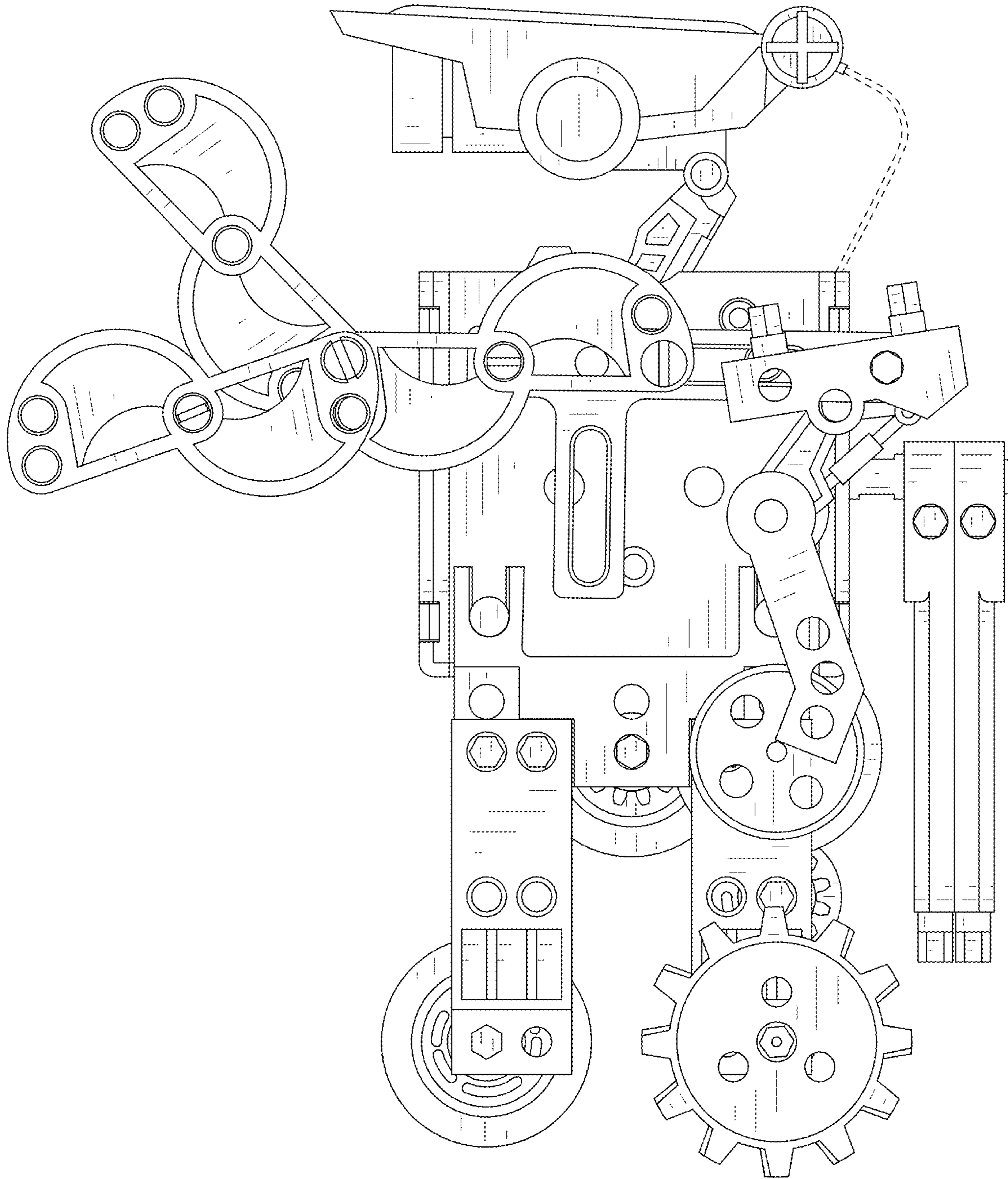


FIG. 6

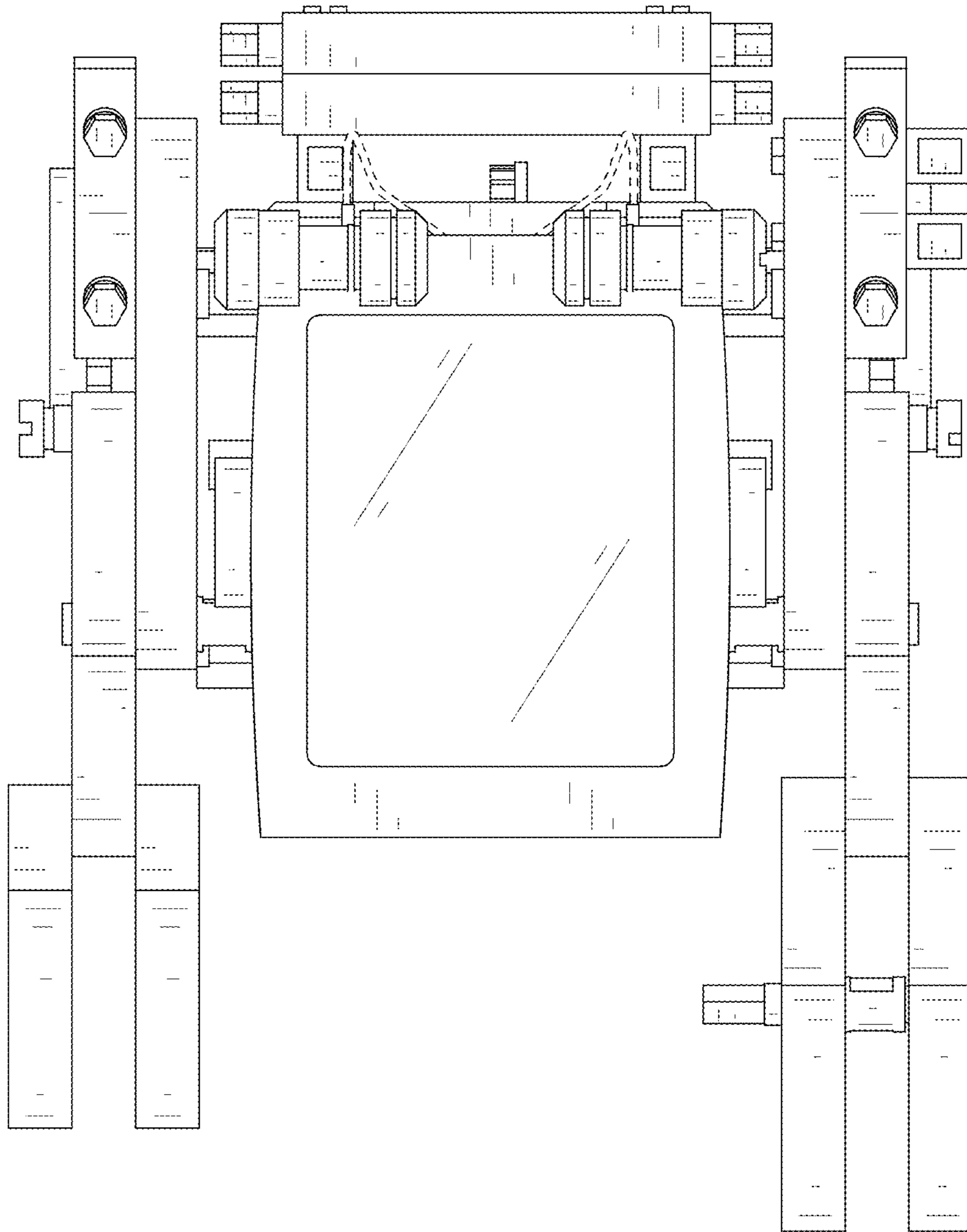


FIG. 7

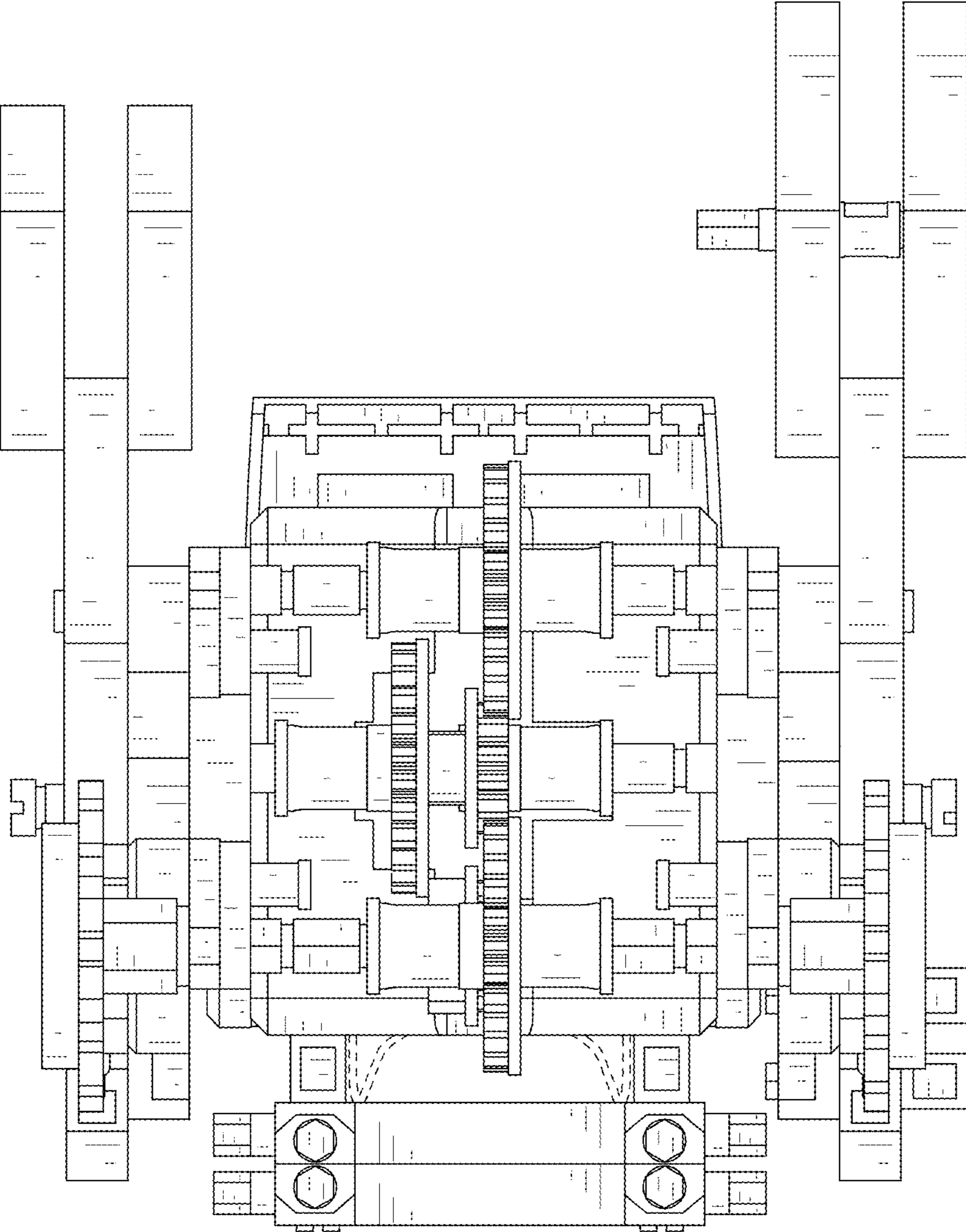


FIG. 8