



US00D937940S

(12) **United States Design Patent**
Cai

(10) **Patent No.:** **US D937,940 S**

(45) **Date of Patent:** **** Dec. 7, 2021**

(54) **SOLAR-POWERED TOY ROBOT**

(71) Applicant: **Zeluan Cai**, Shenzhen (CN)

(72) Inventor: **Zeluan Cai**, Shenzhen (CN)

(**) Term: **15 Years**

(21) Appl. No.: **29/752,329**

(22) Filed: **Sep. 26, 2020**

(51) **LOC (13) Cl.** **21-01**

(52) **U.S. Cl.**
USPC **D21/578**; D15/199

(58) **Field of Classification Search**
USPC D21/578-586; D19/59; D15/199
CPC . B25J 9/00; B25J 9/0003; B25J 9/0006; B25J
13/00; B25J 5/00; B25J 5/007
See application file for complete search history.

D841,103 S * 2/2019 Lee D21/578
D857,553 S * 8/2019 Tatopoulos D12/1
D870,213 S 12/2019 Katayama et al.
D878,493 S 3/2020 Katayama et al.
D882,705 S * 4/2020 Lee D21/578
D891,491 S 7/2020 Insile et al.
D891,533 S 7/2020 Lee
D891,534 S 7/2020 Guo
D922,464 S * 6/2021 Xin D15/199

* cited by examiner

Primary Examiner — Zenia I Bennett

(74) *Attorney, Agent, or Firm* — Law Offices of Steven
W. Weinrieb

(57) **CLAIM**

The ornamental design for a solar-powered toy robot, as
shown and described.

(56) **References Cited**

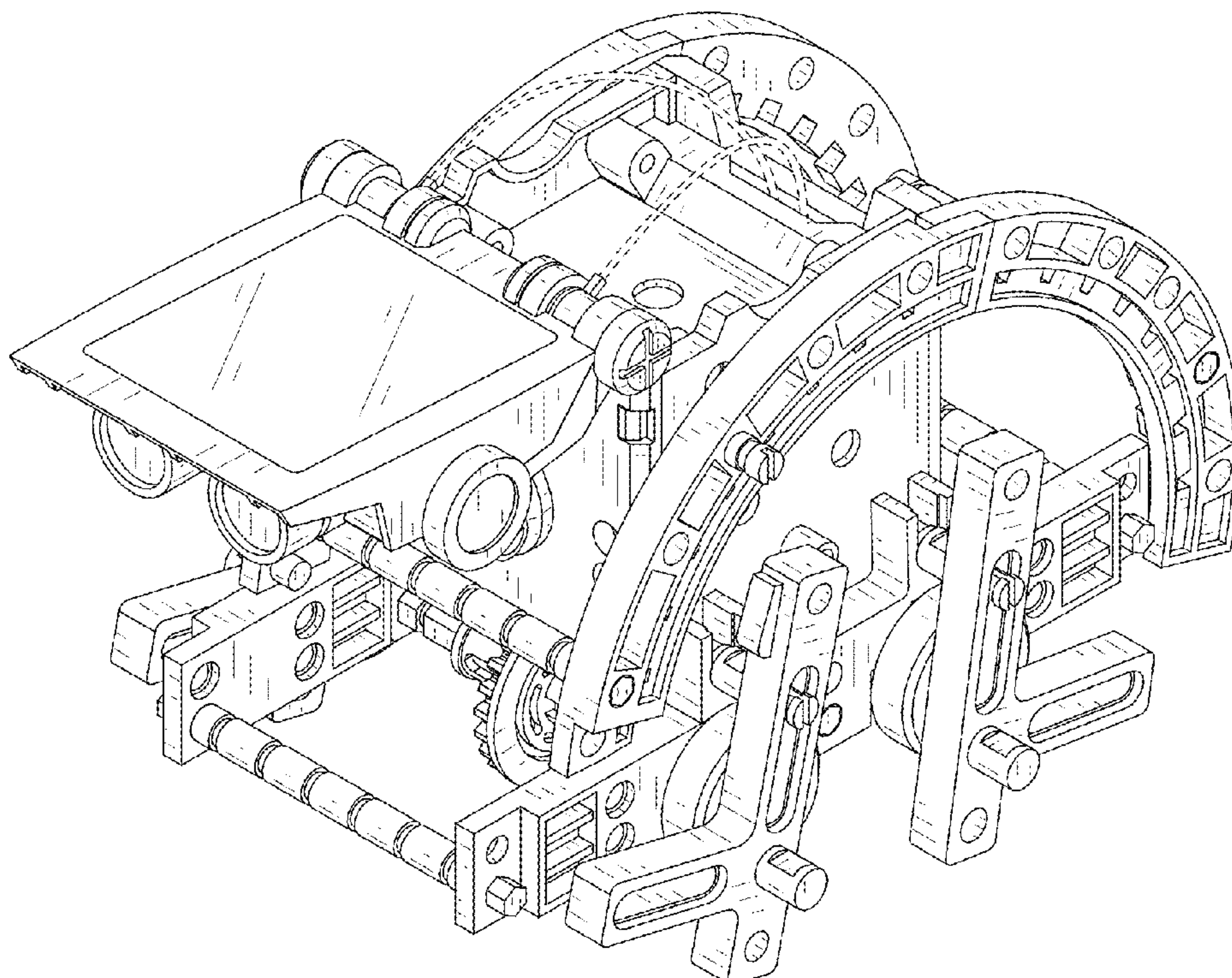
U.S. PATENT DOCUMENTS

D622,786 S * 8/2010 Lee D21/578
D681,134 S * 4/2013 Lee D21/578
D711,479 S * 8/2014 Lee D21/578
D712,984 S 9/2014 Lee
D713,477 S 9/2014 Lee
D715,379 S * 10/2014 Kitamura A63H 3/00
D21/578
D715,380 S * 10/2014 Ito A63H 3/00
D21/578
D715,381 S * 10/2014 Ito A63H 3/00
D21/578
D715,382 S * 10/2014 Ito A63H 3/00
D21/578

DESCRIPTION

FIG. 1 is a front, right side, top perspective view of a
solar-powered toy robot showing my new design;
FIG. 2 is a rear, left side, bottom perspective view thereof;
FIG. 3 is a front elevational view thereof;
FIG. 4 is a rear elevational view thereof;
FIG. 5 is a left side elevational view thereof;
FIG. 6 is a right side elevational view thereof;
FIG. 7 is a top plan view thereof; and,
FIG. 8 is a bottom plan view thereof.
The broken lines depict portions of the solar-powered toy
robot that form no part of the claimed design.

1 Claim, 8 Drawing Sheets



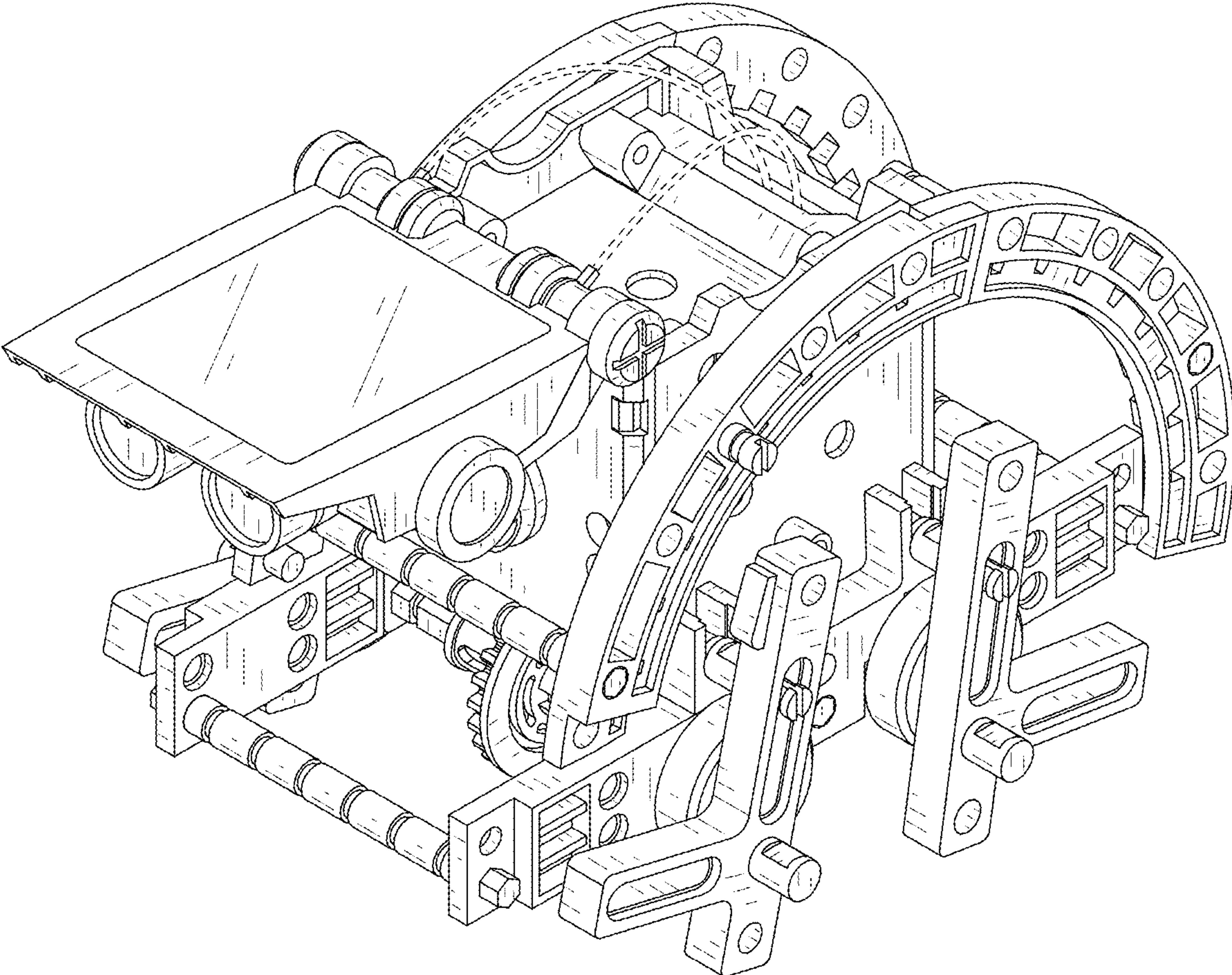


FIG. 1

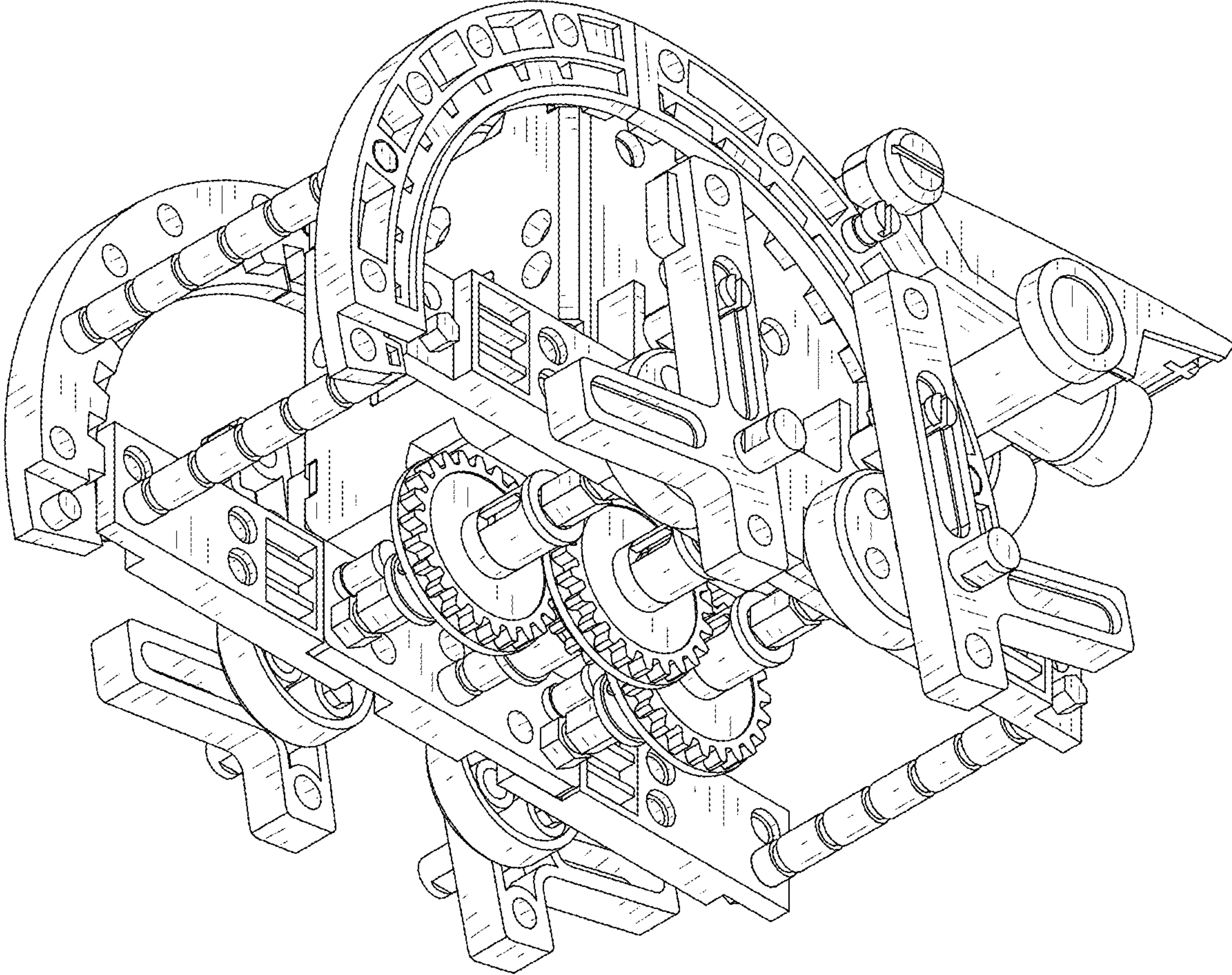


FIG. 2

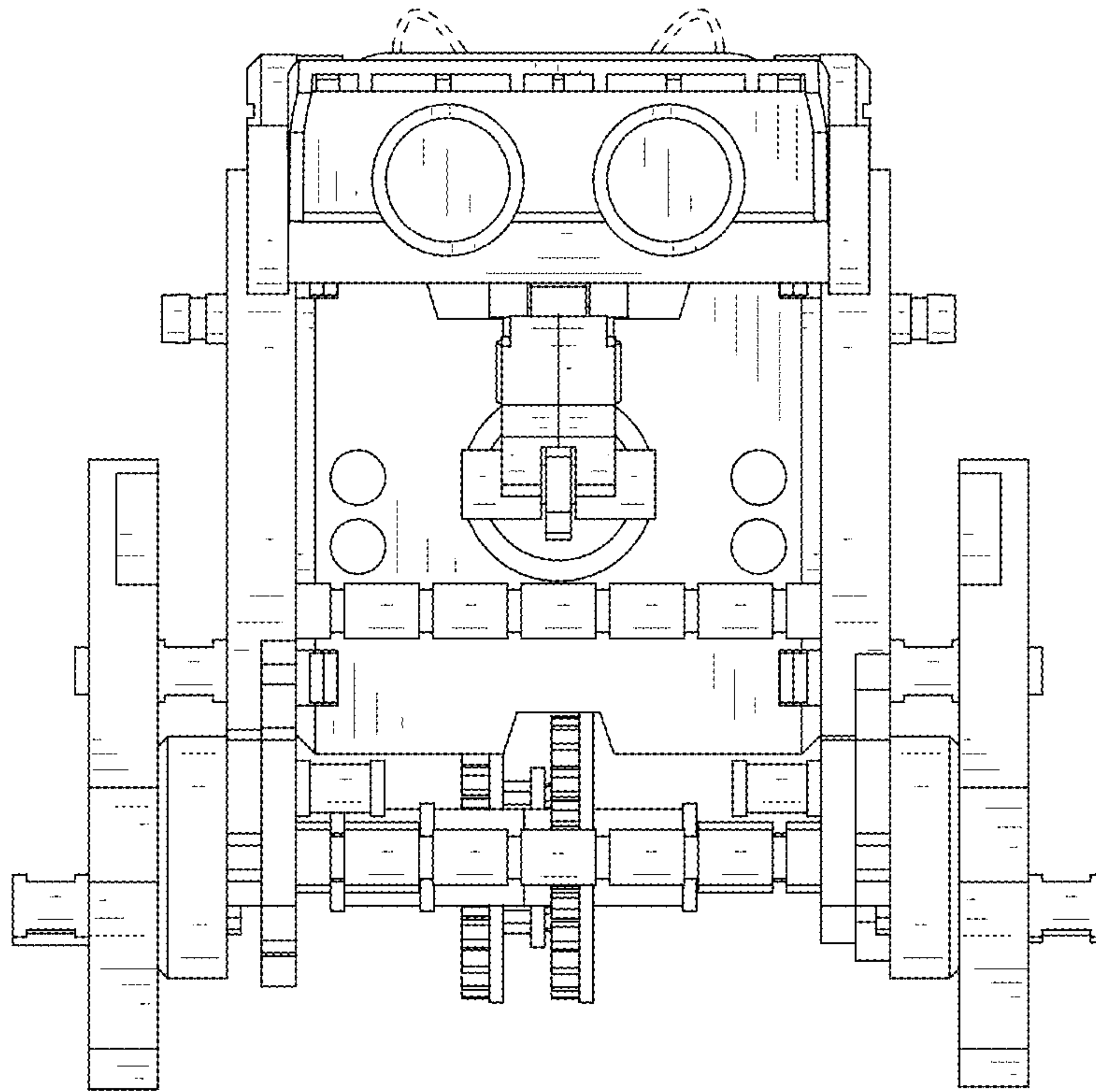


FIG. 3

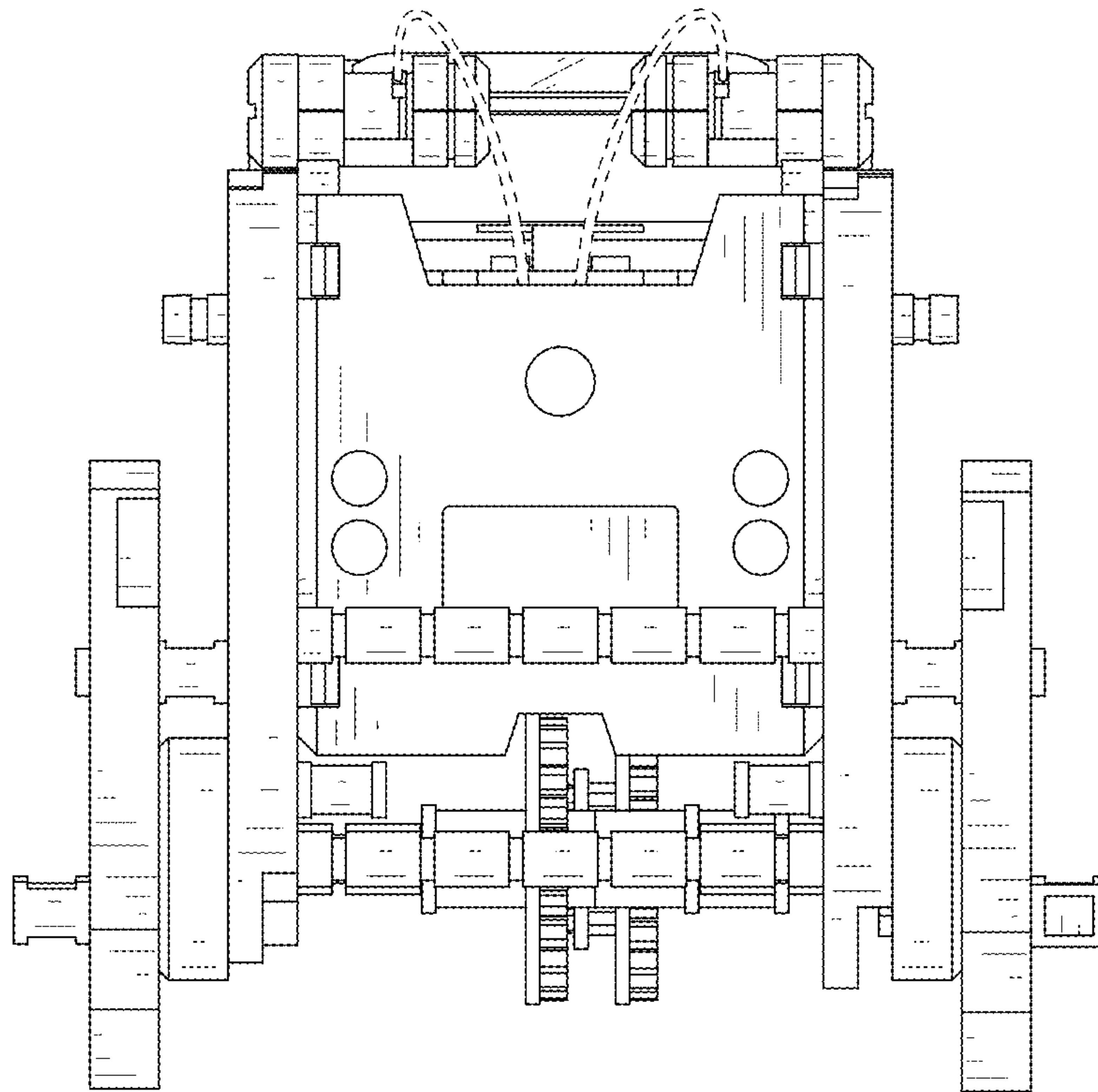


FIG. 4

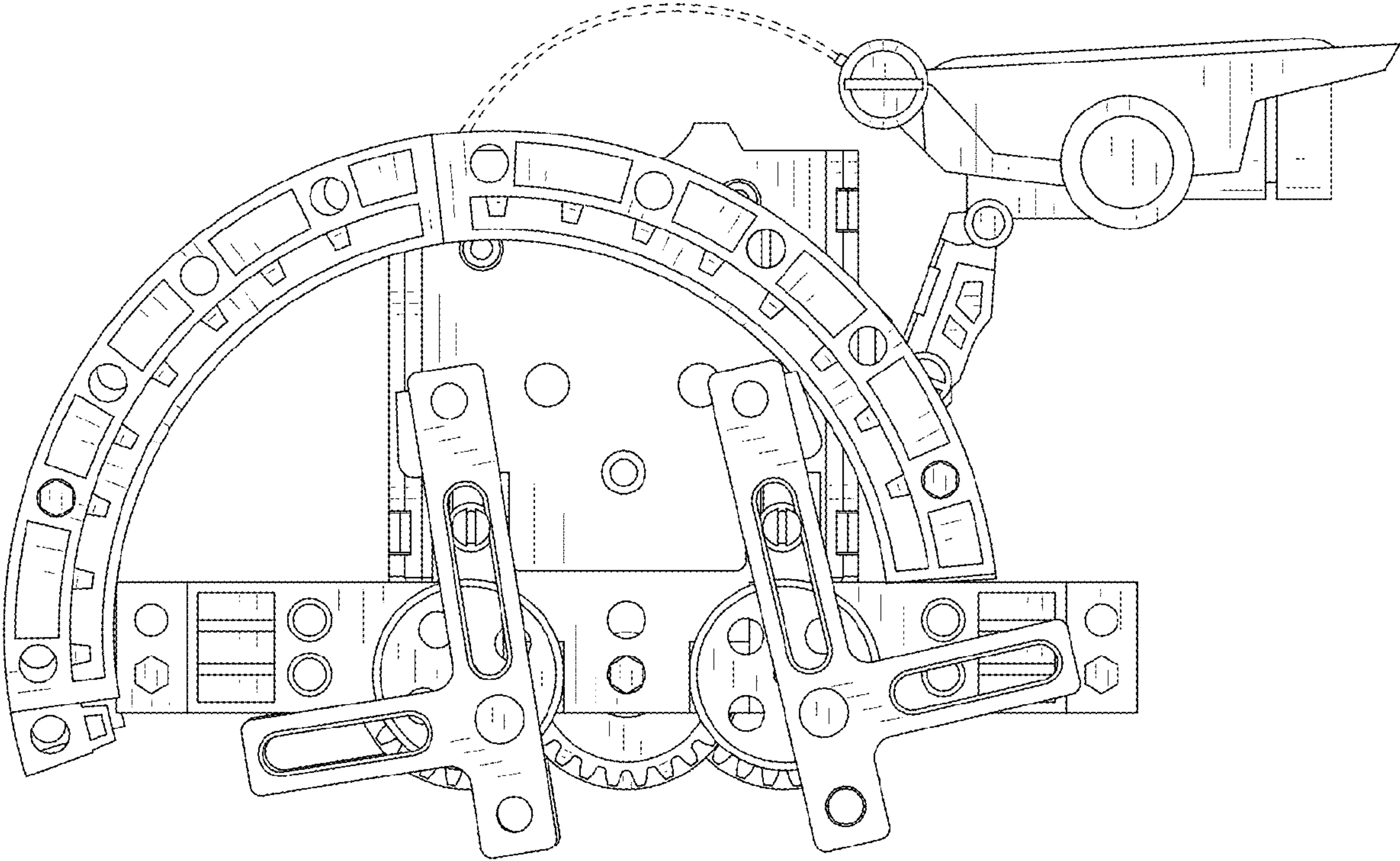


FIG. 5

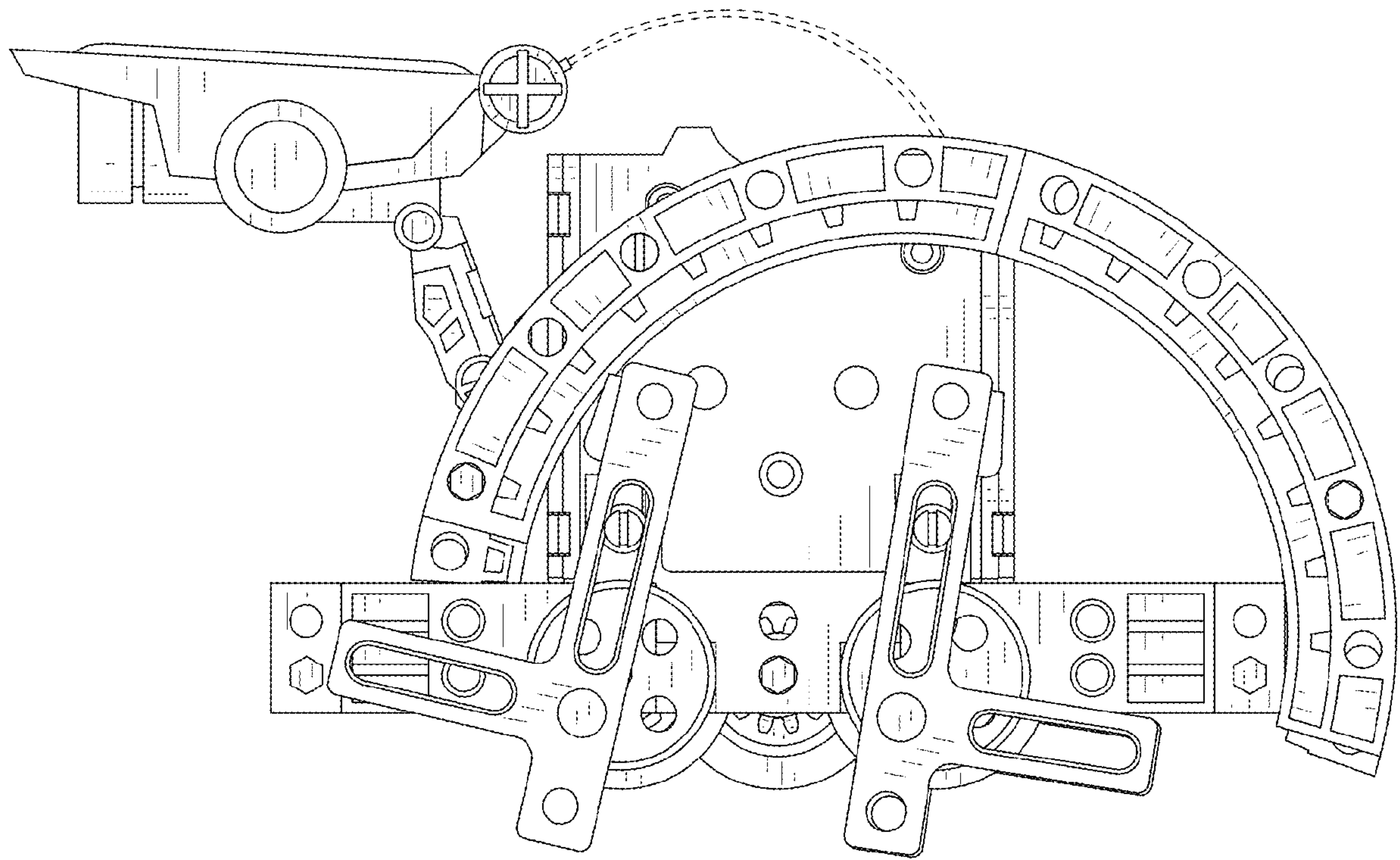


FIG. 6

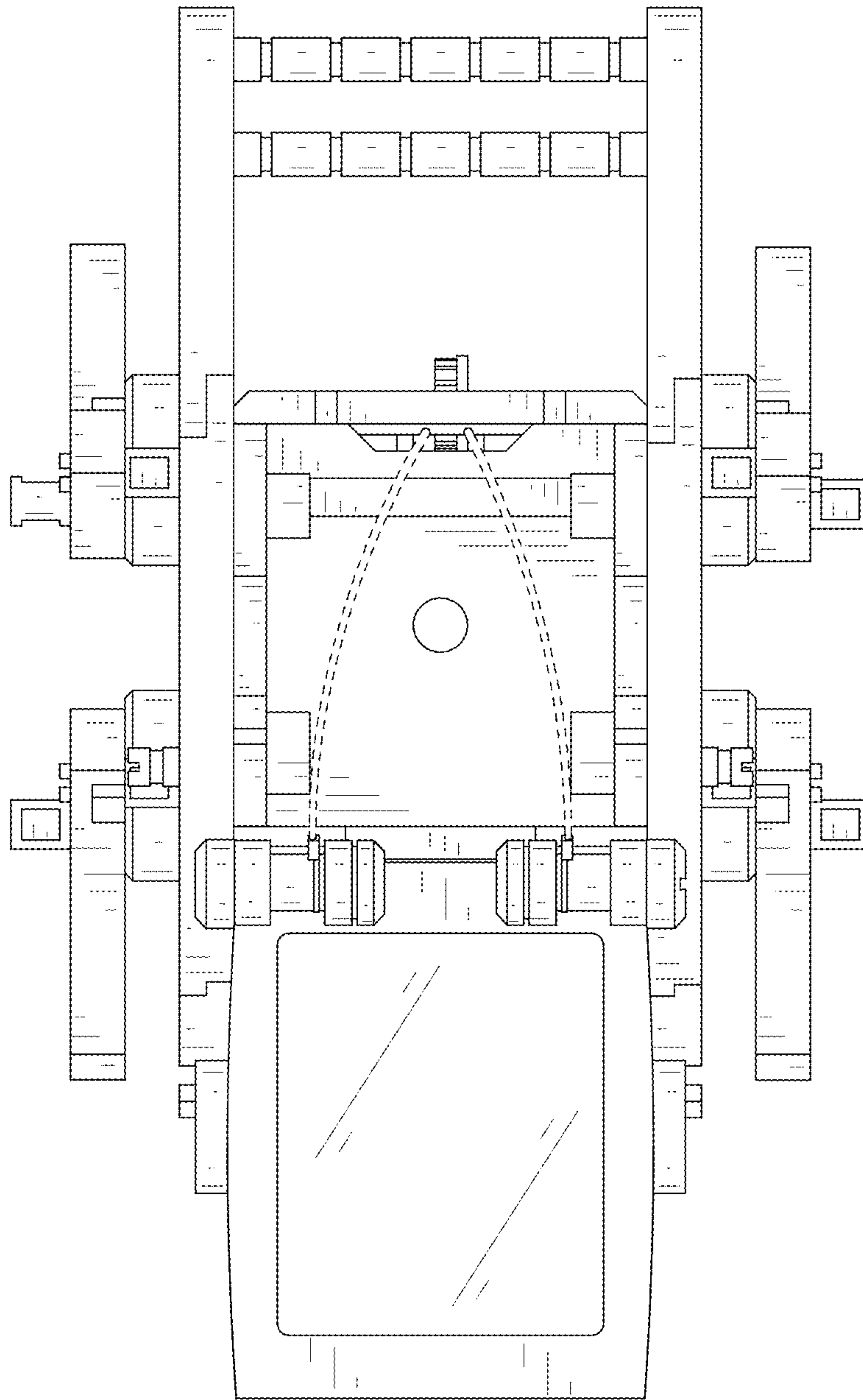


FIG. 7

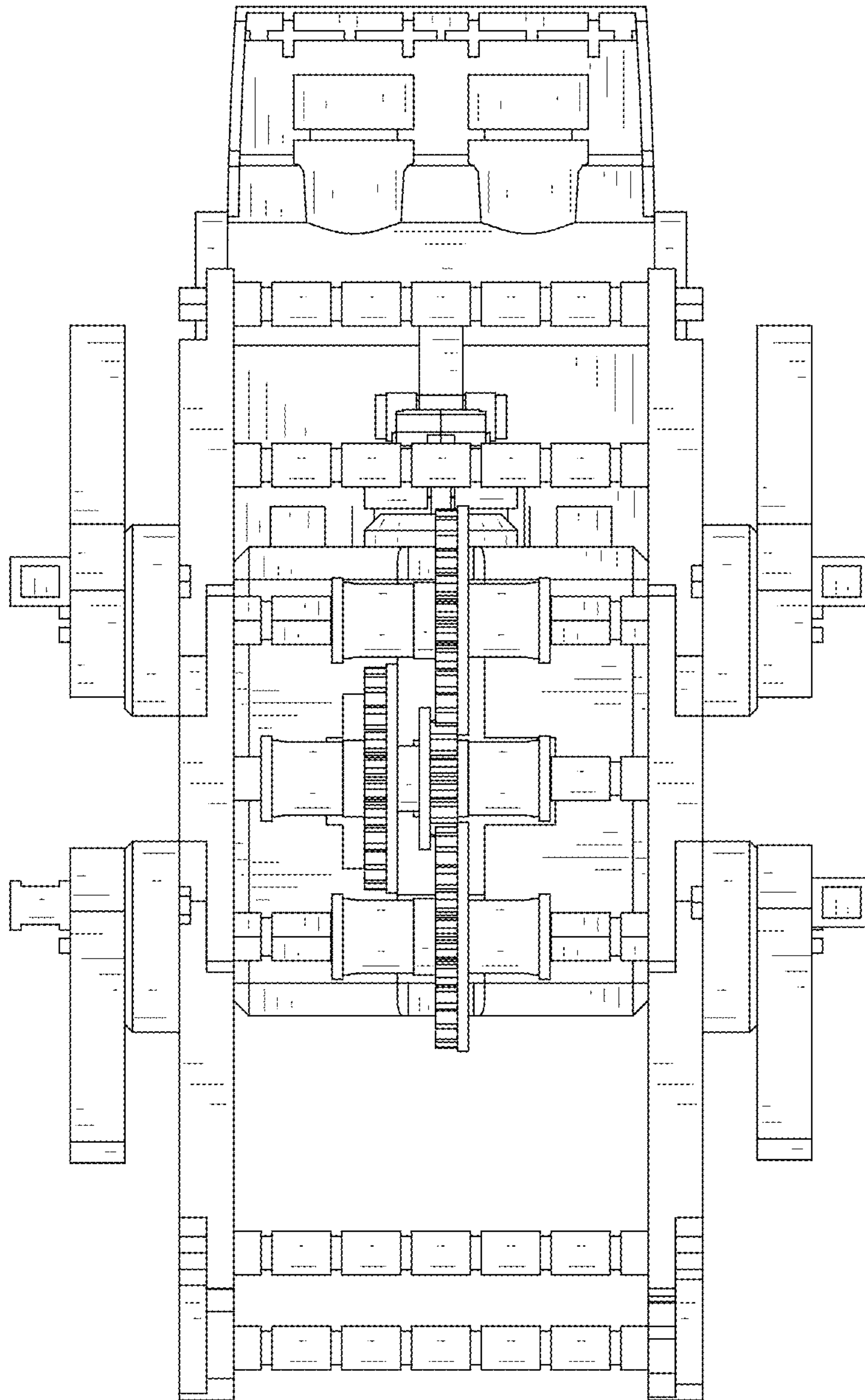


FIG. 8