



US00D937939S

(12) **United States Design Patent**
Cai

(10) **Patent No.:** **US D937,939 S**

(45) **Date of Patent:** **** Dec. 7, 2021**

(54) **SOLAR-POWERED TOY ROBOT**

(71) Applicant: **Zeluan Cai**, Shenzhen (CN)

(72) Inventor: **Zeluan Cai**, Shenzhen (CN)

(**) Term: **15 Years**

(21) Appl. No.: **29/752,327**

(22) Filed: **Sep. 26, 2020**

(51) **LOC (13) Cl.** **21-01**

(52) **U.S. Cl.**
USPC **D21/578**; D15/199

(58) **Field of Classification Search**
USPC D21/578–586; D19/59; D15/199
CPC . B25J 9/00; B25J 9/0003; B25J 9/0006; B25J
13/00; B25J 5/00; B25J 5/007
See application file for complete search history.

(56) **References Cited**

U.S. PATENT DOCUMENTS

D458,320 S *	6/2002	Domingues	D21/578
D583,882 S *	12/2008	Domingues	D21/578
D681,134 S *	4/2013	Lee	D21/578
D711,479 S *	8/2014	Lee	D21/578
D712,984 S	9/2014	Lee		
D713,477 S	9/2014	Lee		
D783,736 S *	4/2017	Goldsmith	D21/578

D810,211 S *	2/2018	Stuart-Cross	D21/578
D841,103 S *	2/2019	Lee	D21/578
D857,553 S *	8/2019	Tatopoulos	D12/1
D870,213 S	12/2019	Katayama et al.		
D878,493 S	3/2020	Katayama et al.		
D891,491 S	7/2020	Insile et al.		
D891,533 S	7/2020	Lee		
D891,534 S	7/2020	Guo		

* cited by examiner

Primary Examiner — Zenia I Bennett

(74) *Attorney, Agent, or Firm* — Law Offices of Steven W. Weinrieb

(57) **CLAIM**

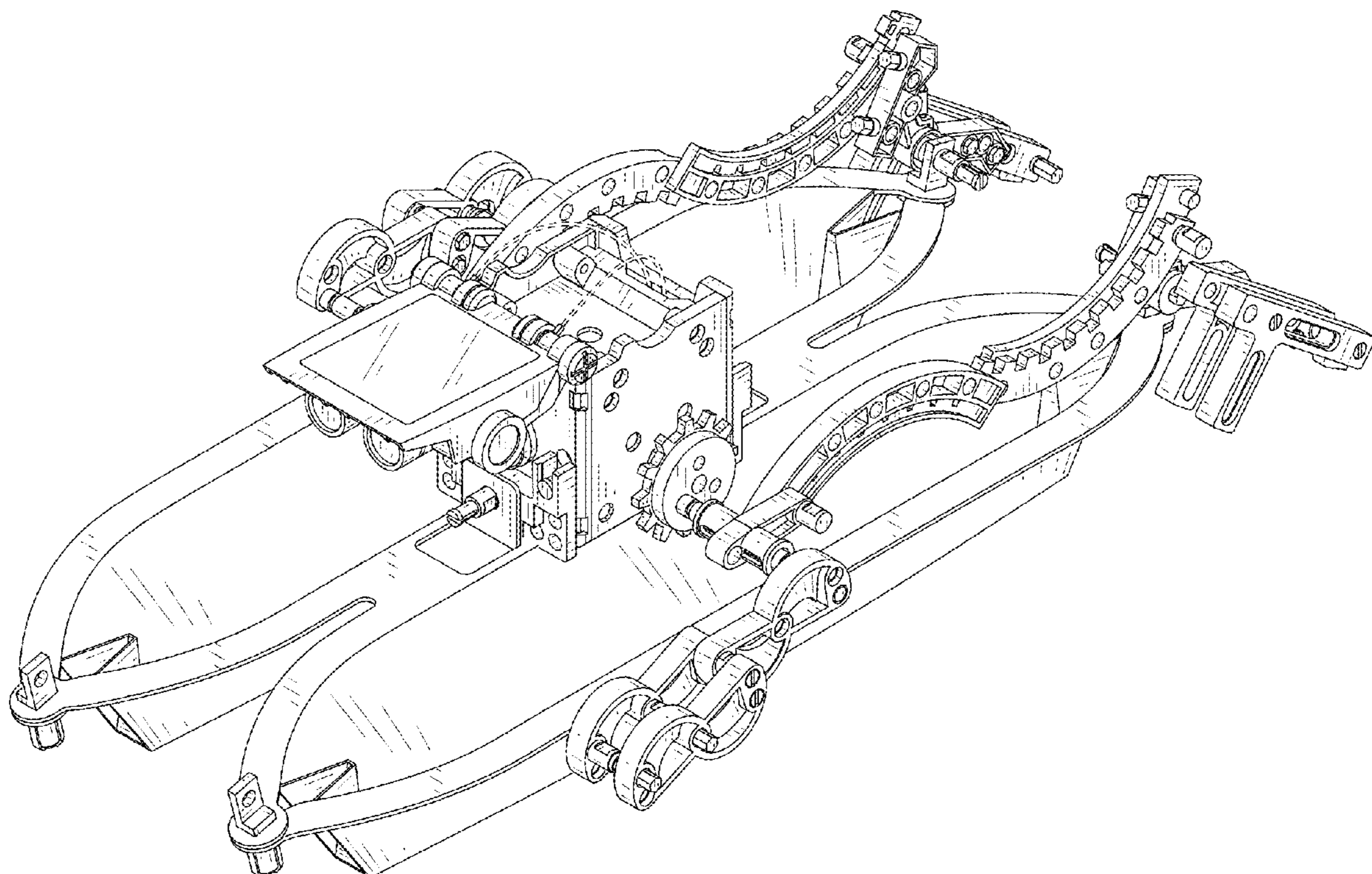
The ornamental design for a solar-powered toy robot, as shown and described.

DESCRIPTION

FIG. 1 is a front, right side, top perspective view of a solar-powered toy robot showing my new design; FIG. 2 is a rear, left side, bottom perspective view thereof; FIG. 3 is a front elevational view thereof; FIG. 4 is a rear elevational view thereof; FIG. 5 is a left side elevational view thereof; FIG. 6 is a right side elevational view thereof; FIG. 7 is a top plan view thereof; and, FIG. 8 is a bottom plan view thereof.

The broken lines depict portions of the solar-powered toy robot that form no part of the claimed design.

1 Claim, 8 Drawing Sheets



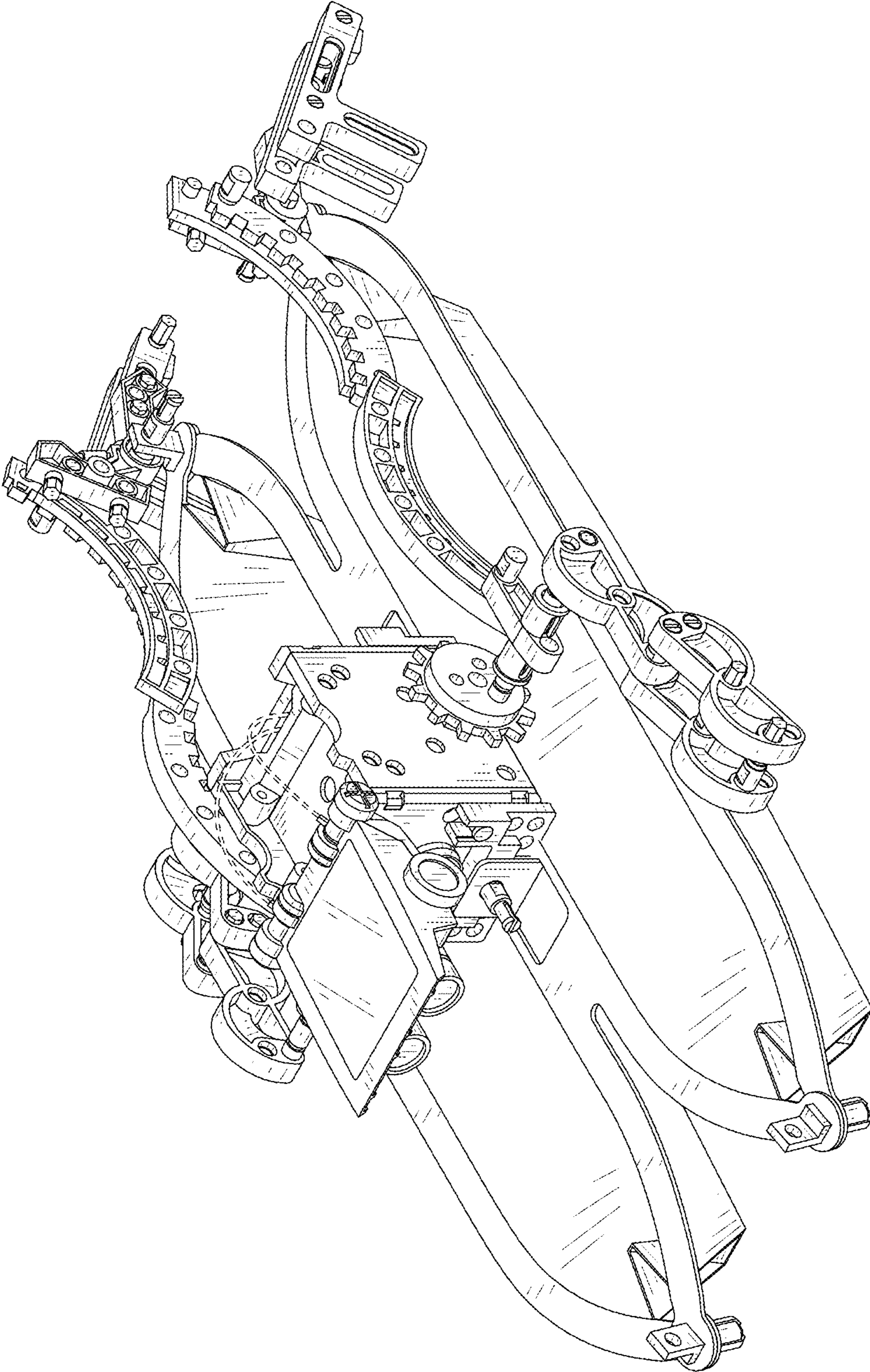


FIG. 1

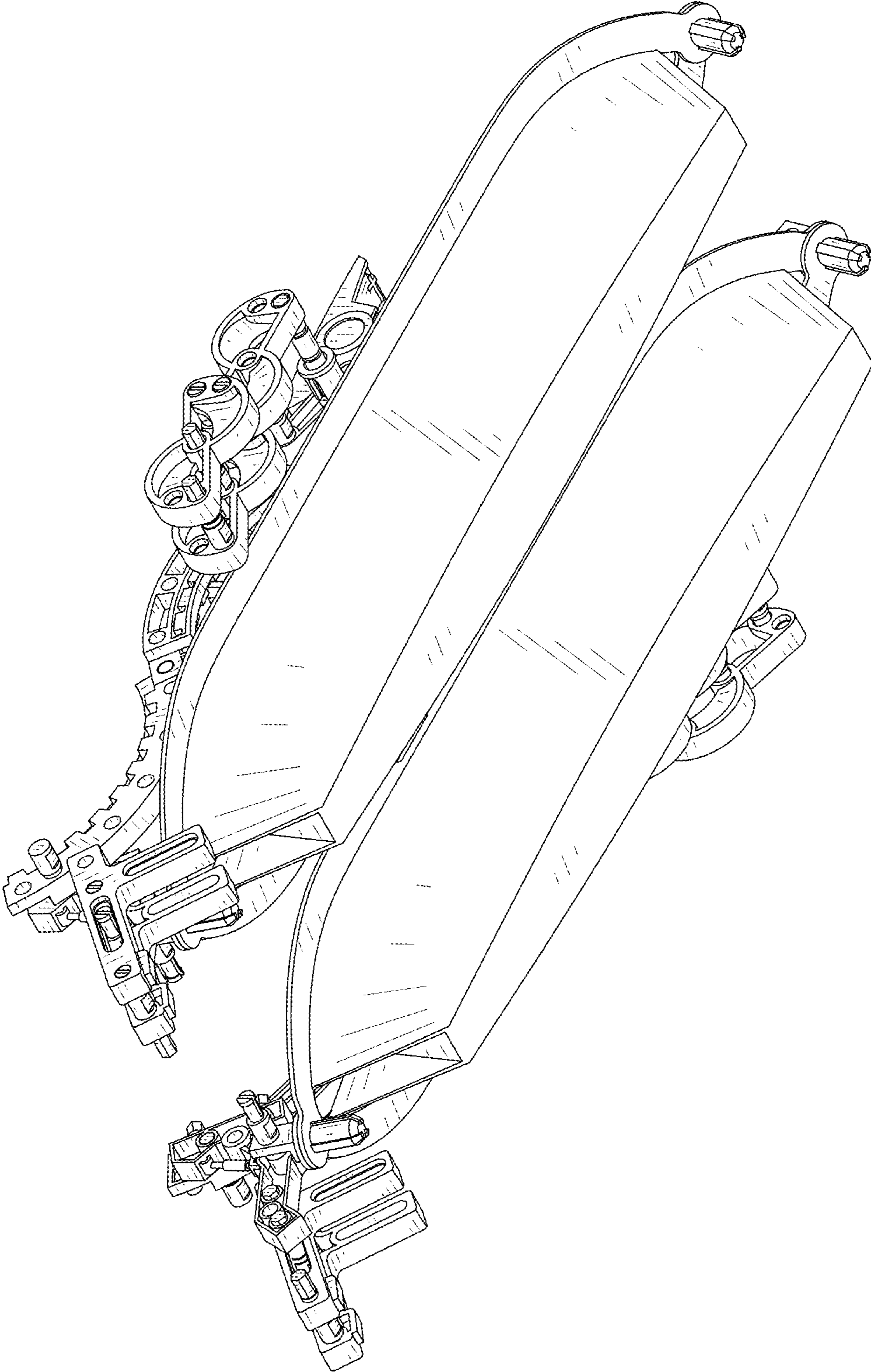


FIG. 2

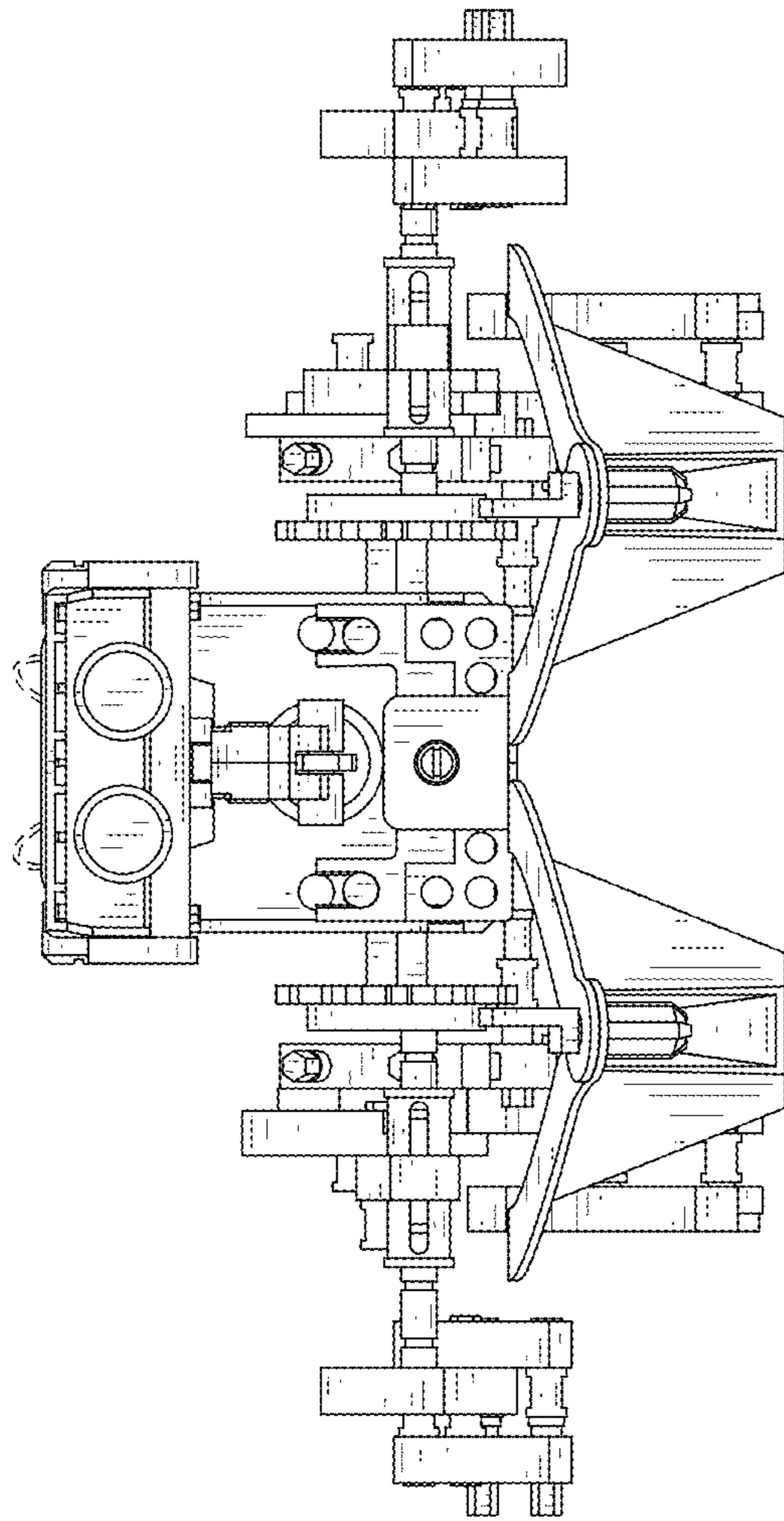


FIG. 3

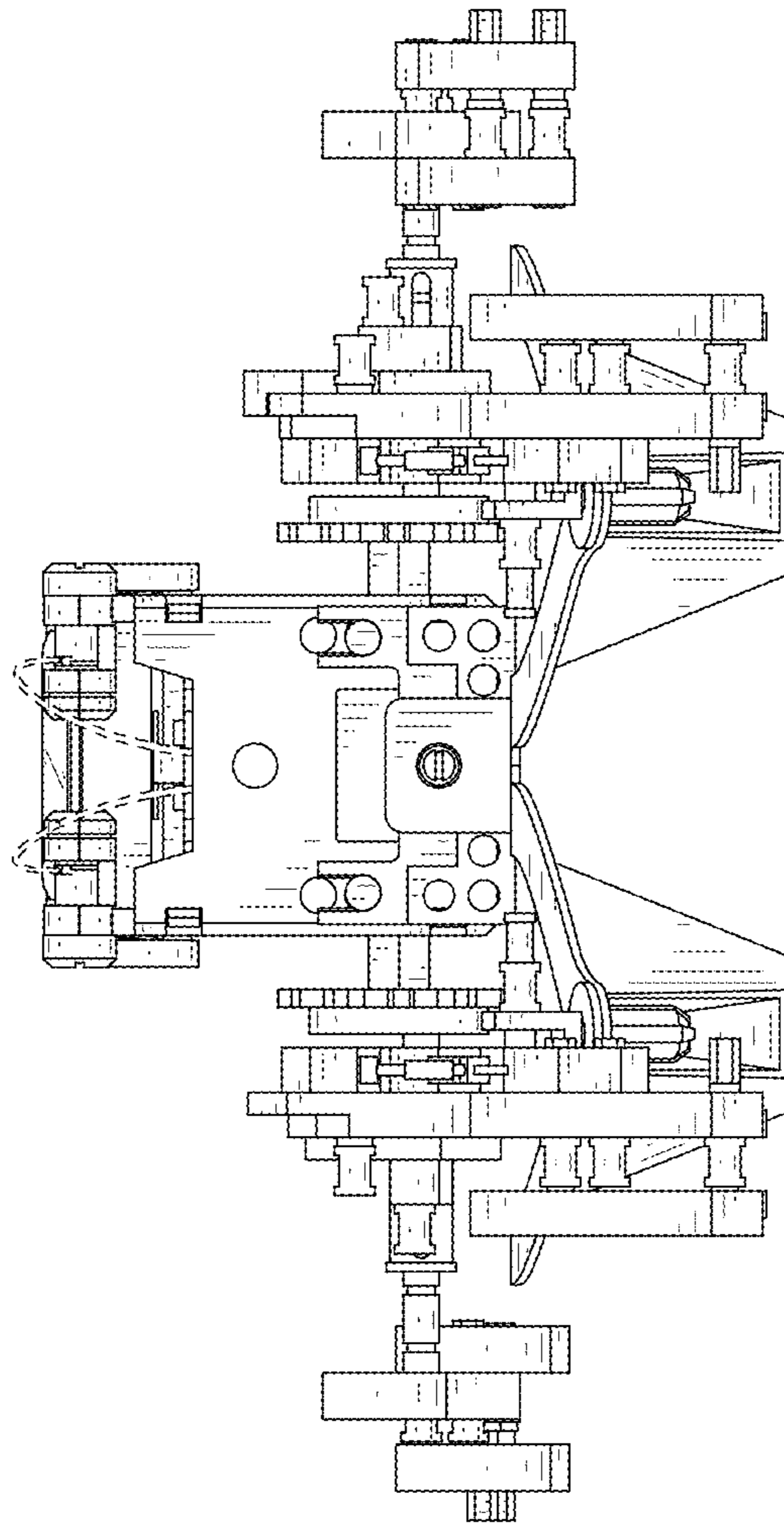


FIG. 4

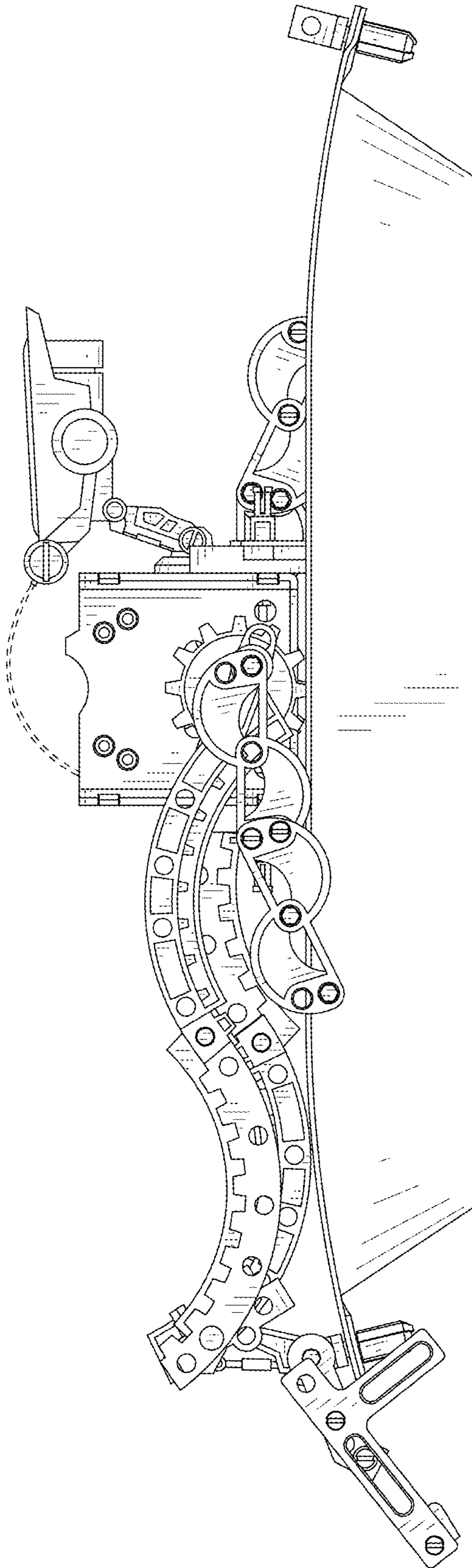


FIG. 5

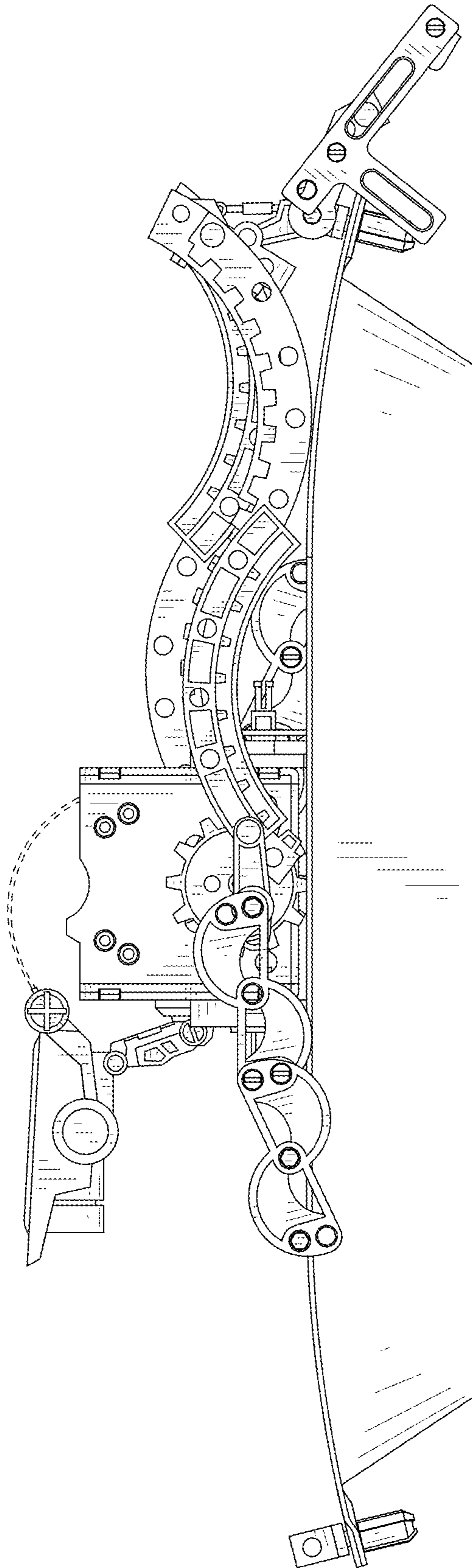


FIG. 6

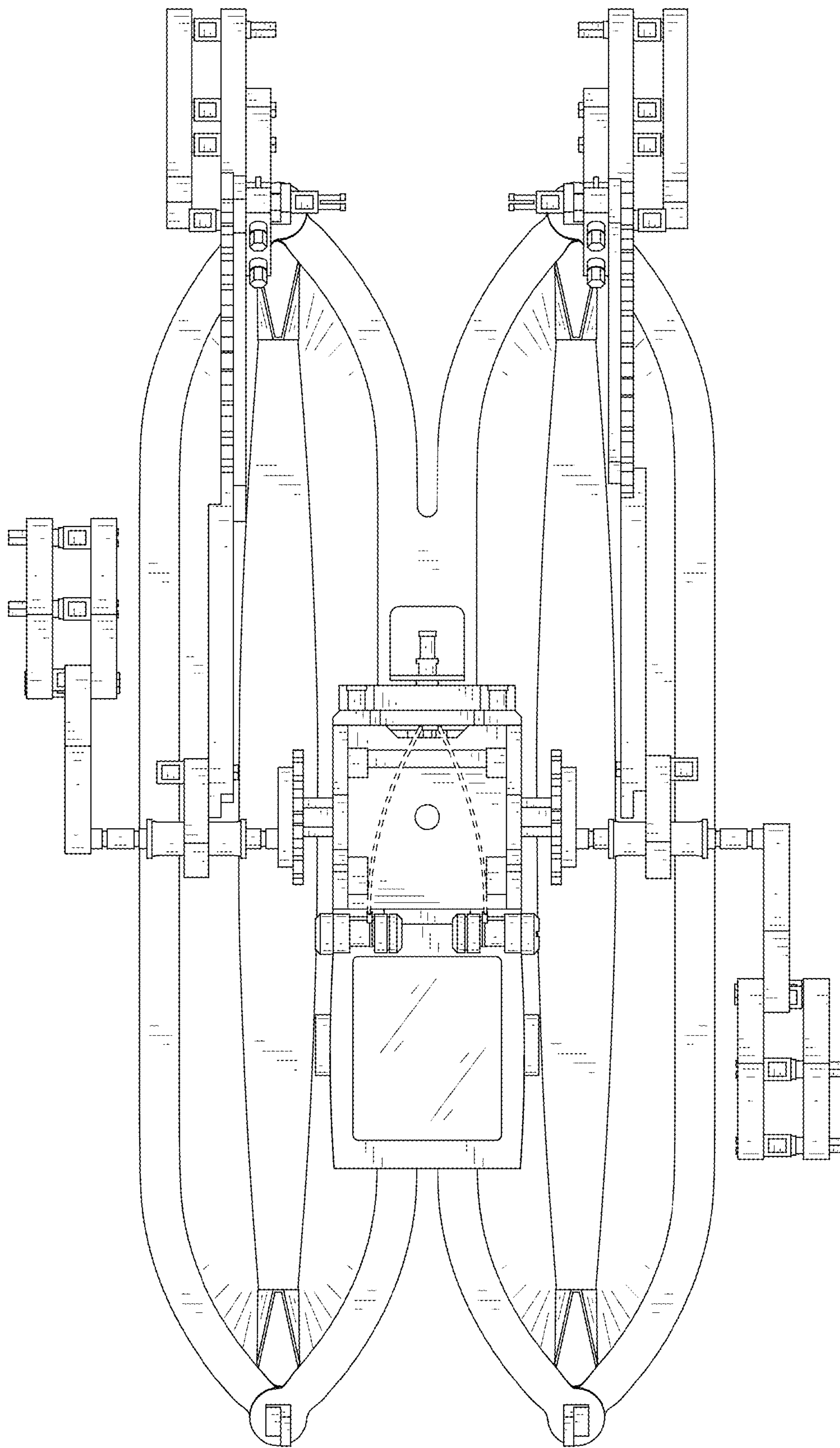


FIG. 7

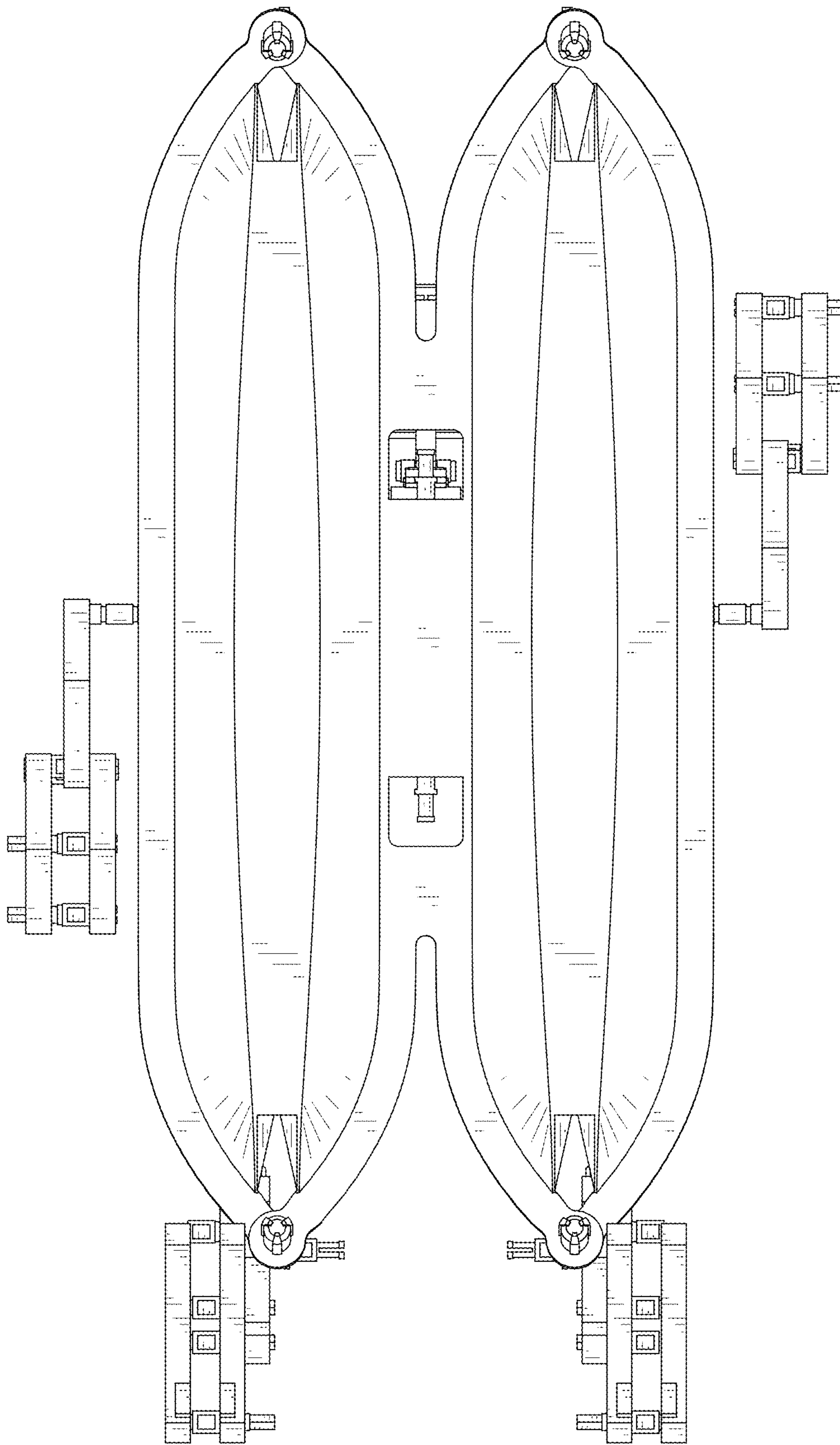


FIG. 8