

US00D937937S

(12) **United States Design Patent**
Nevgi

(10) **Patent No.:** **US D937,937 S**
(45) **Date of Patent:** **** Dec. 7, 2021**

(54) **TOY CONSTRUCTION ELEMENT**

FOREIGN PATENT DOCUMENTS

(71) Applicant: **Trimiti Moebius Design Pty Ltd**,
Mount Waverley (AU)

JP S53147994 U 11/1978
TW 201247292 A 12/2012

(Continued)

(72) Inventor: **Umesh Vinayak Nevgi**, Mount
Waverley (AU)

OTHER PUBLICATIONS

(73) Assignee: **TRIMITI MOEBIUS DESIGN PTY LTD**, Mount Waverley (AU)

ISA Australian Patent Office, International Search Report Issued in
Application No. PCT/AU2017/050843, dated Oct. 23, 2017, WIPO,
2 pages.

(**) Term: **15 Years**

Primary Examiner — Cynthia M. Chin

(21) Appl. No.: **29/679,902**

(74) *Attorney, Agent, or Firm* — Alleman Hall Creasman
& Tuttle LLP

(22) Filed: **Feb. 11, 2019**

(57) **CLAIM**

The ornamental design for a toy construction element, as
shown and described.

Related U.S. Application Data

DESCRIPTION

(63) Continuation of application No.
PCT/AU2017/050843, filed on Aug. 10, 2017.

(30) **Foreign Application Priority Data**

Aug. 12, 2016 (AU) 2016903193

(51) **LOC (13) Cl.** **21-01**

(52) **U.S. Cl.**
USPC **D21/499**

(58) **Field of Classification Search**
USPC D21/468, 470, 471, 478, 479, 484–505
CPC A63H 33/04; A63H 33/044; A63H 33/06;
A63H 33/062; A63H 33/10; A63H
33/101; A63H 33/108
See application file for complete search history.

FIG. 1 is a front perspective view of an ornamental design
for a toy construction element showing my new design.
FIG. 2 is a front view of the toy construction element of FIG.
1.
FIG. 3 is a left side view of the toy construction element of
FIG. 1.
FIG. 4 is a right side view of the toy construction element
of FIG. 1.
FIG. 5 is a top view of the toy construction element of FIG.
1.
FIG. 6 is a bottom view of the toy construction element of
FIG. 1.
FIG. 7 is a rear view of the toy construction element of FIG.
1; and,
FIG. 8 is a rear perspective view of the toy construction
element of FIG. 1.

The broken lines shown in the drawings are included for the
purpose of illustrating portions of the article and form no
part of the claimed design.

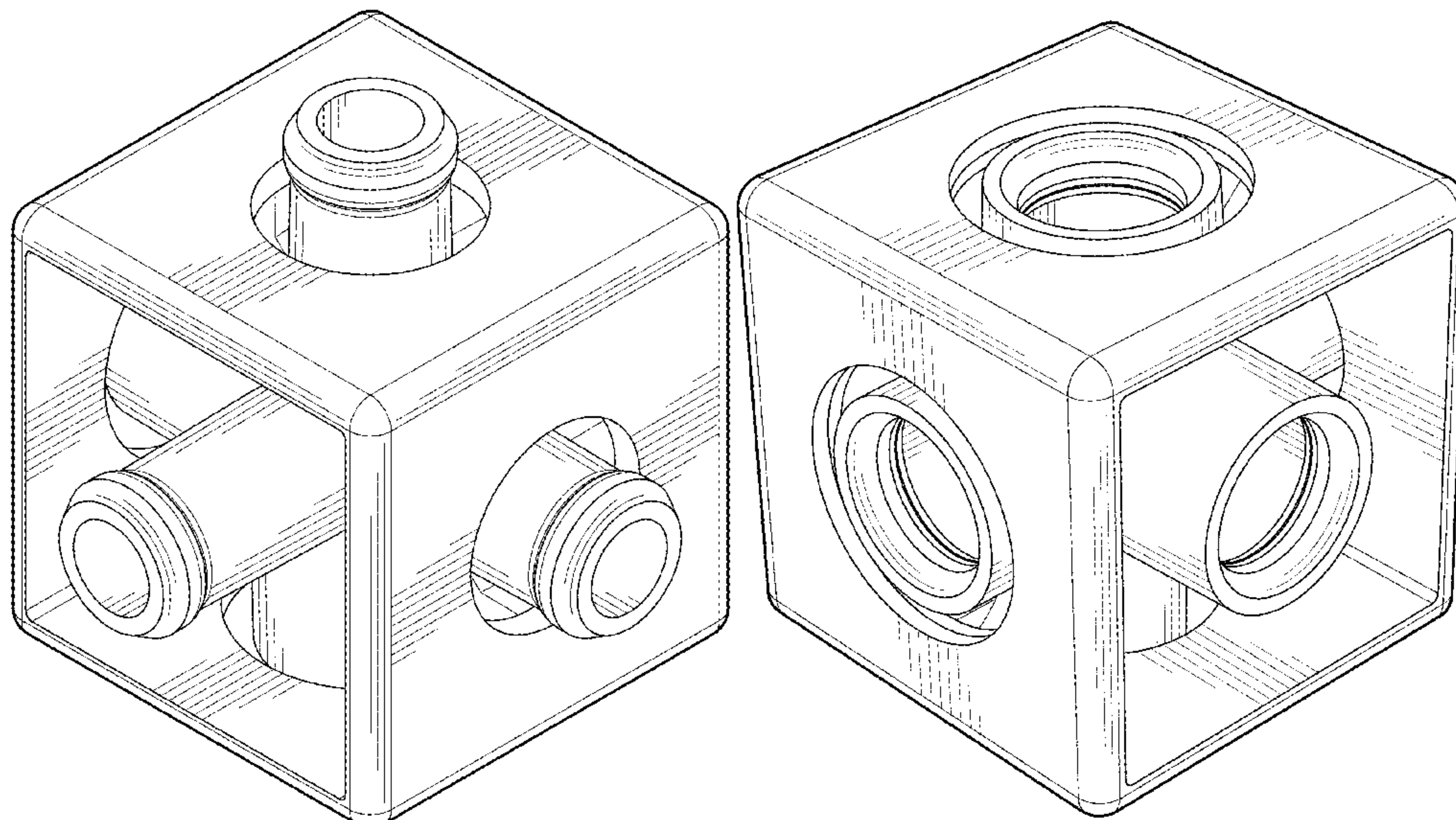
(56) **References Cited**

U.S. PATENT DOCUMENTS

4,129,960 A 12/1978 Gale
4,624,647 A 11/1986 Munnix

(Continued)

1 Claim, 8 Drawing Sheets



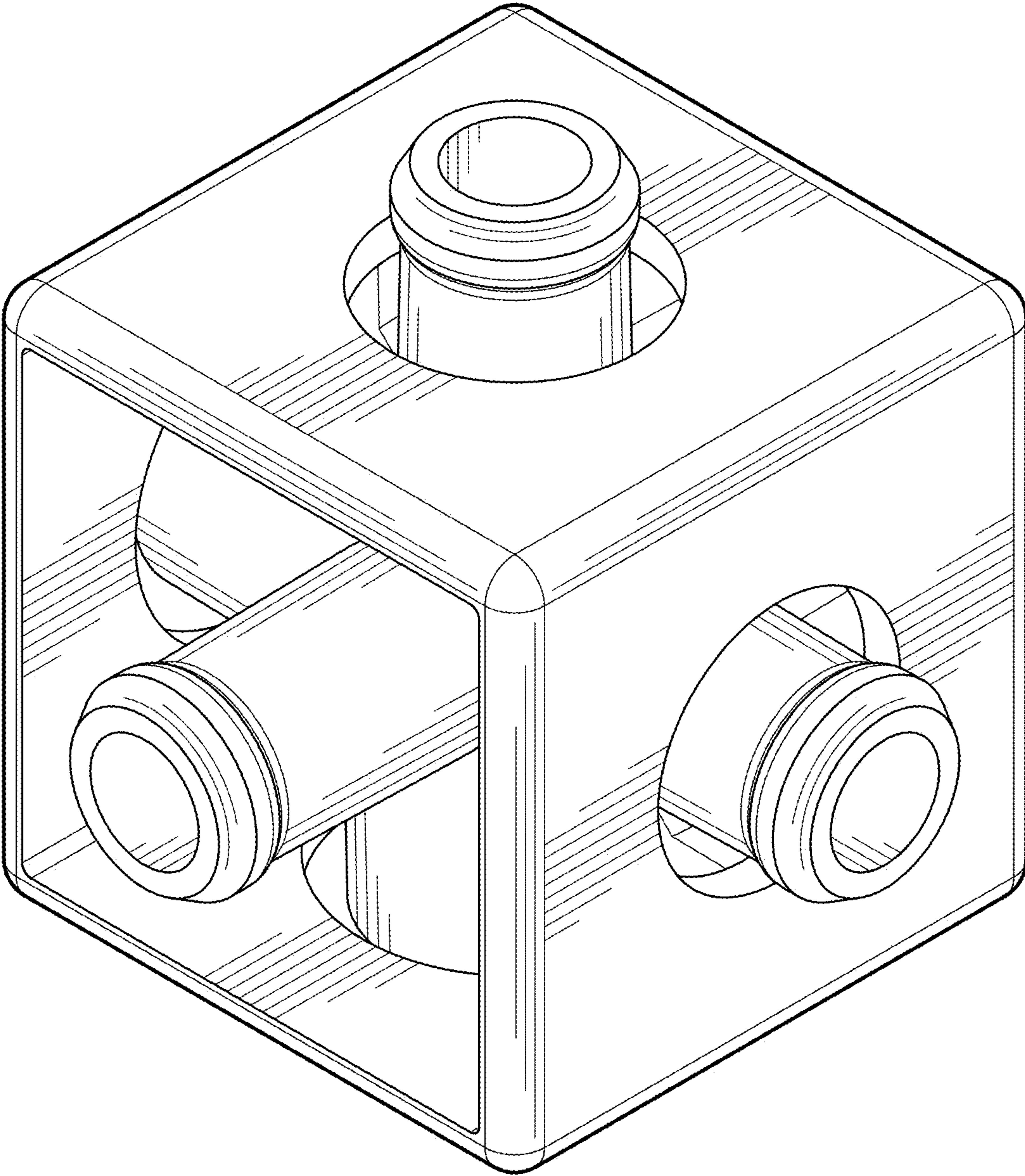


FIG. 1

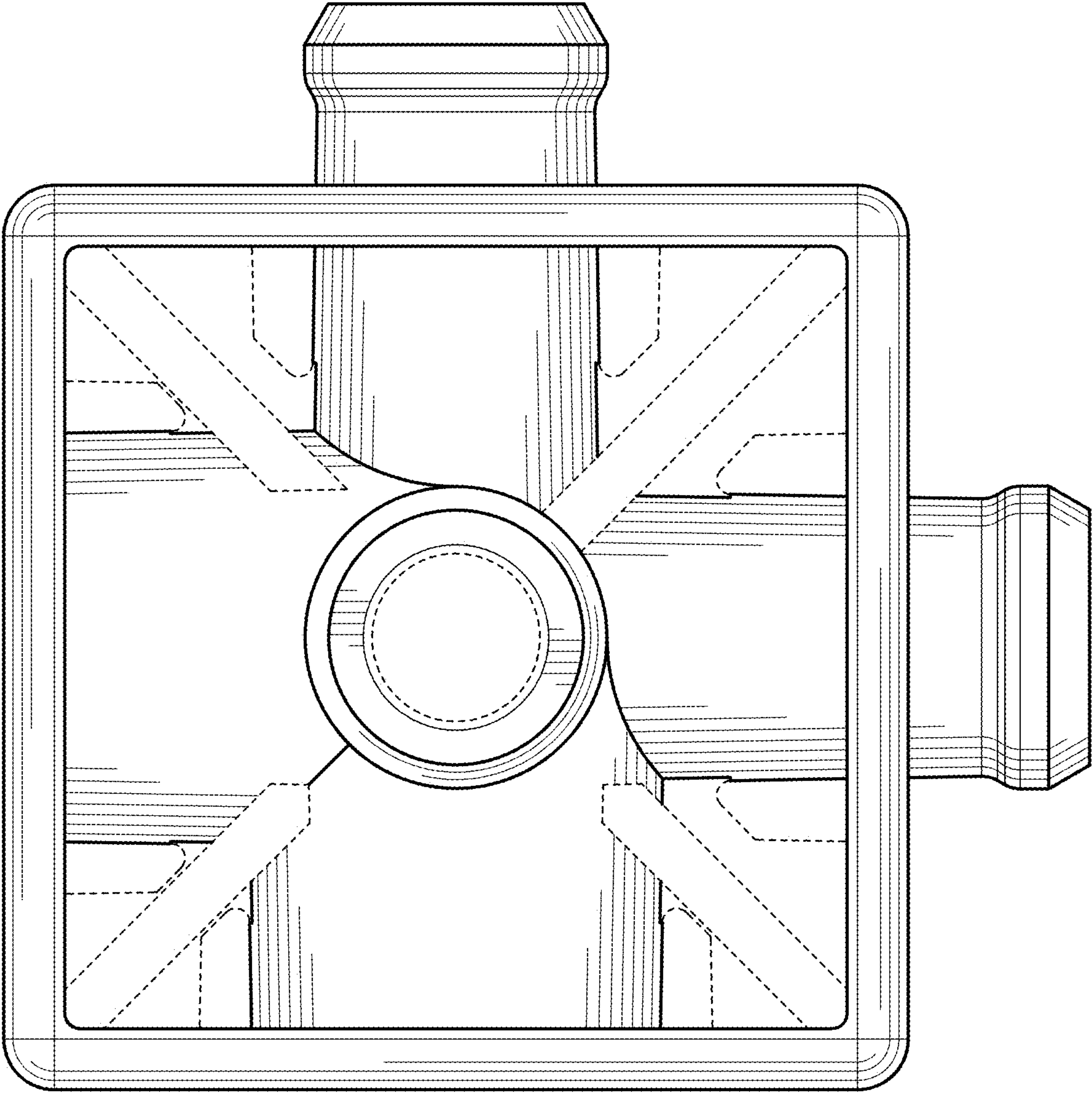


FIG. 2

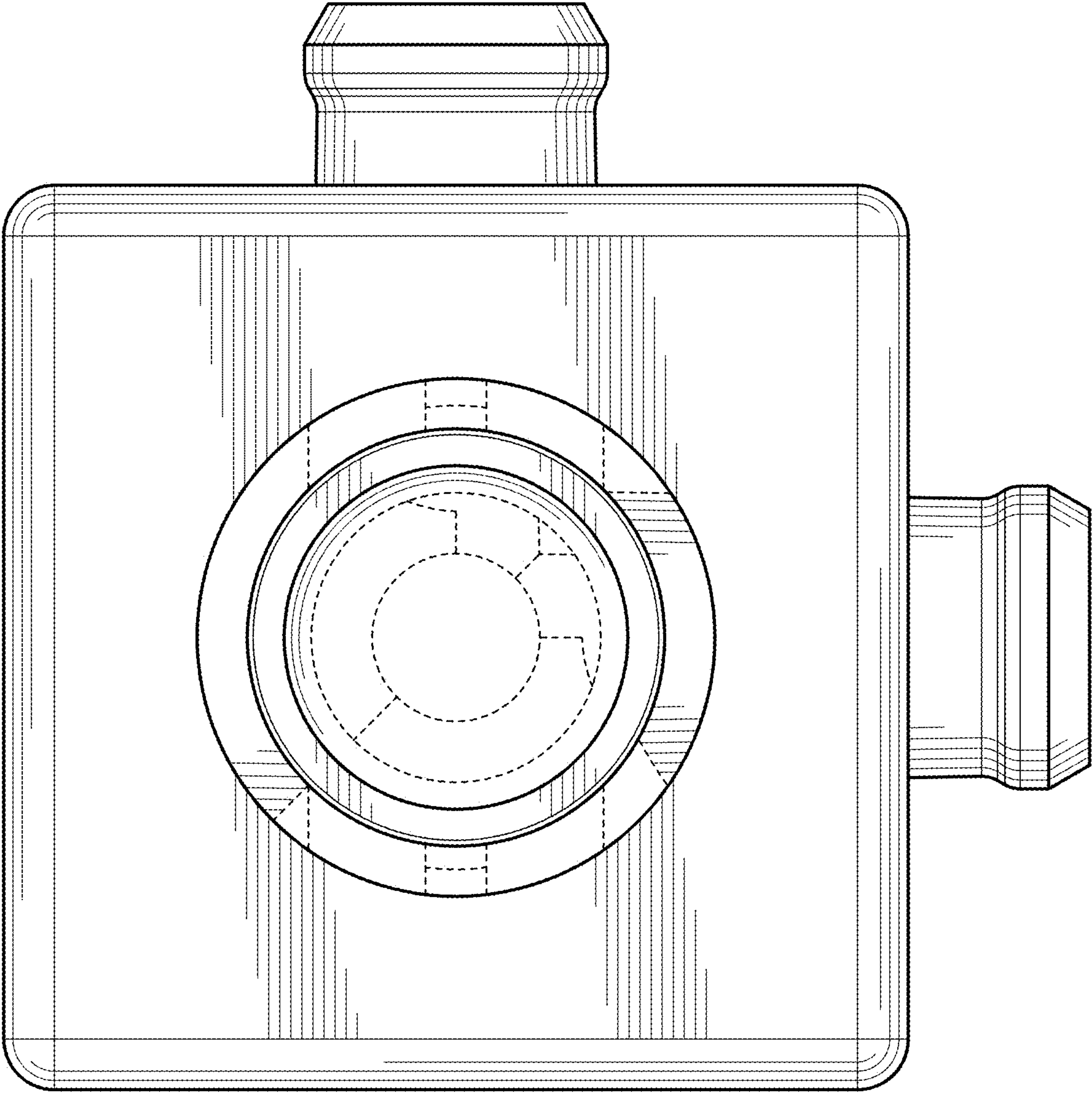


FIG. 3

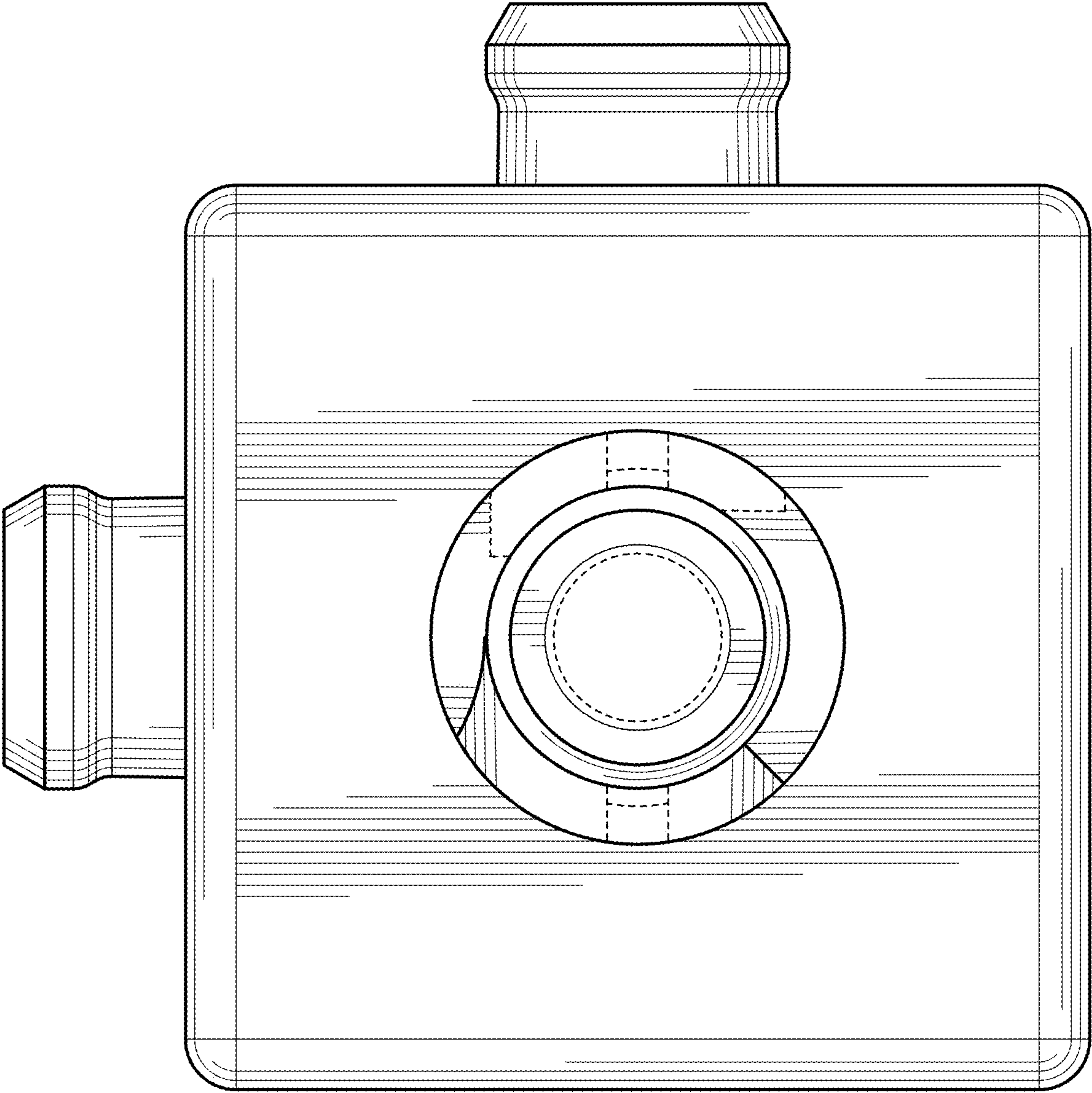


FIG. 4

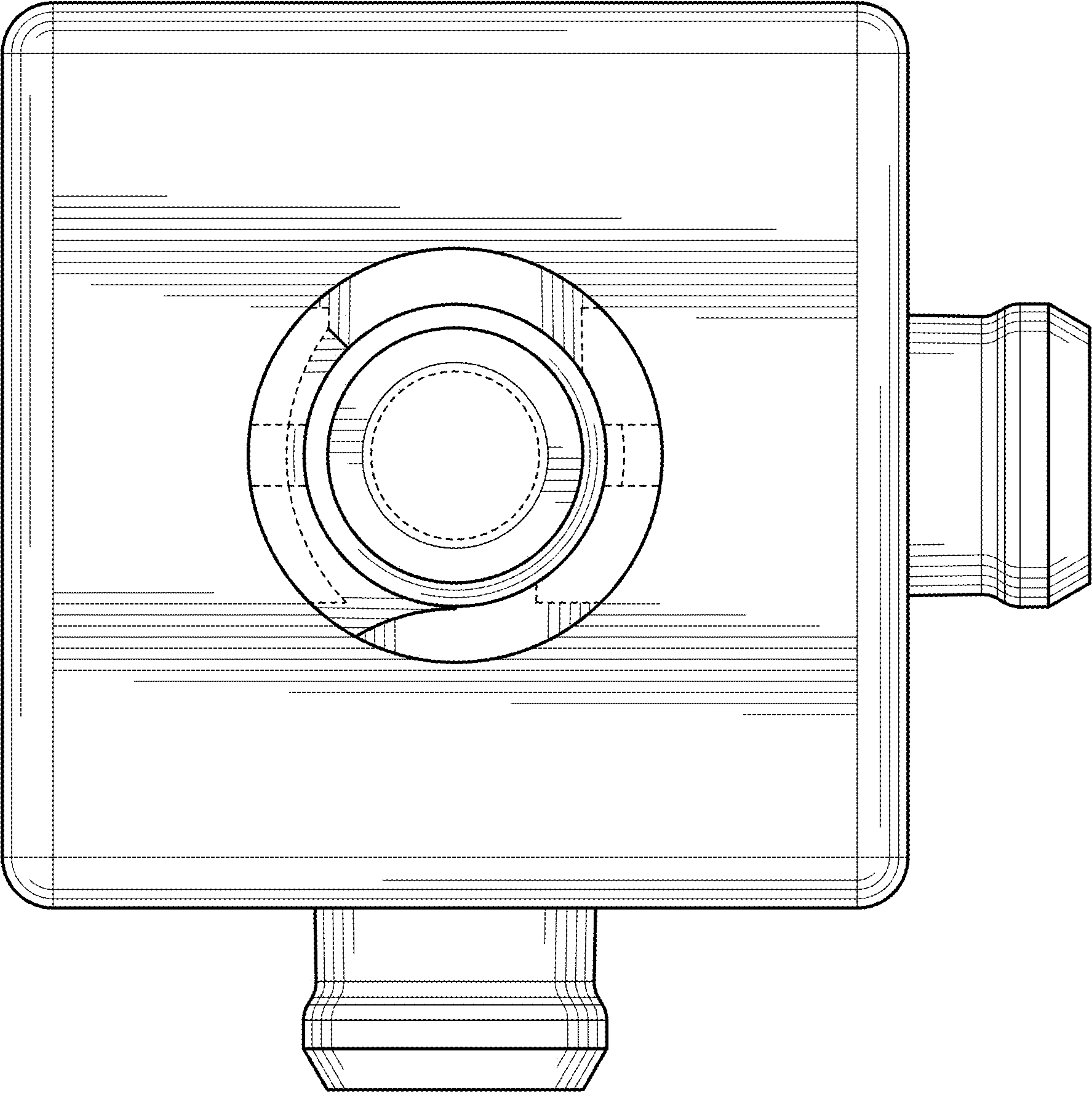


FIG. 5

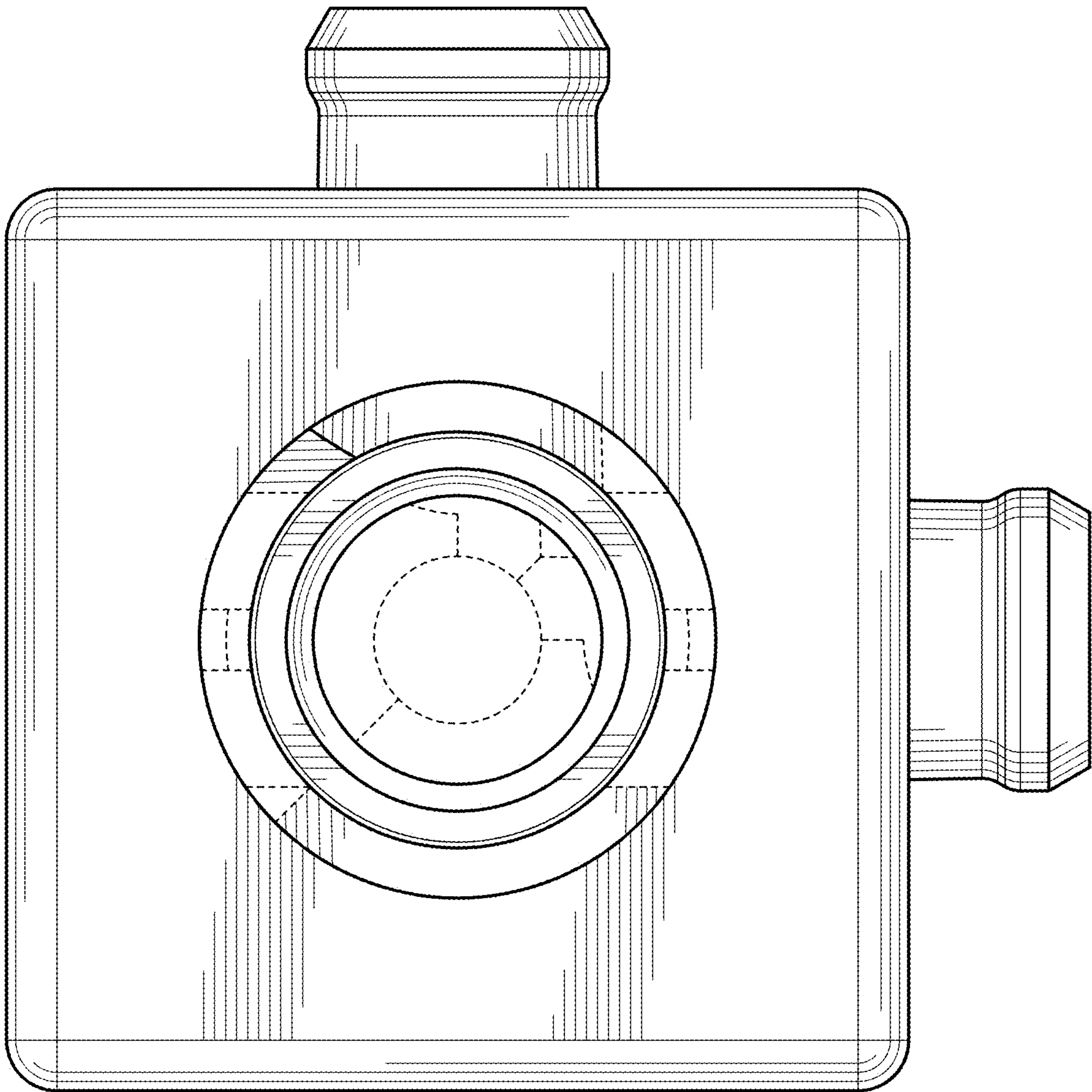


FIG. 6

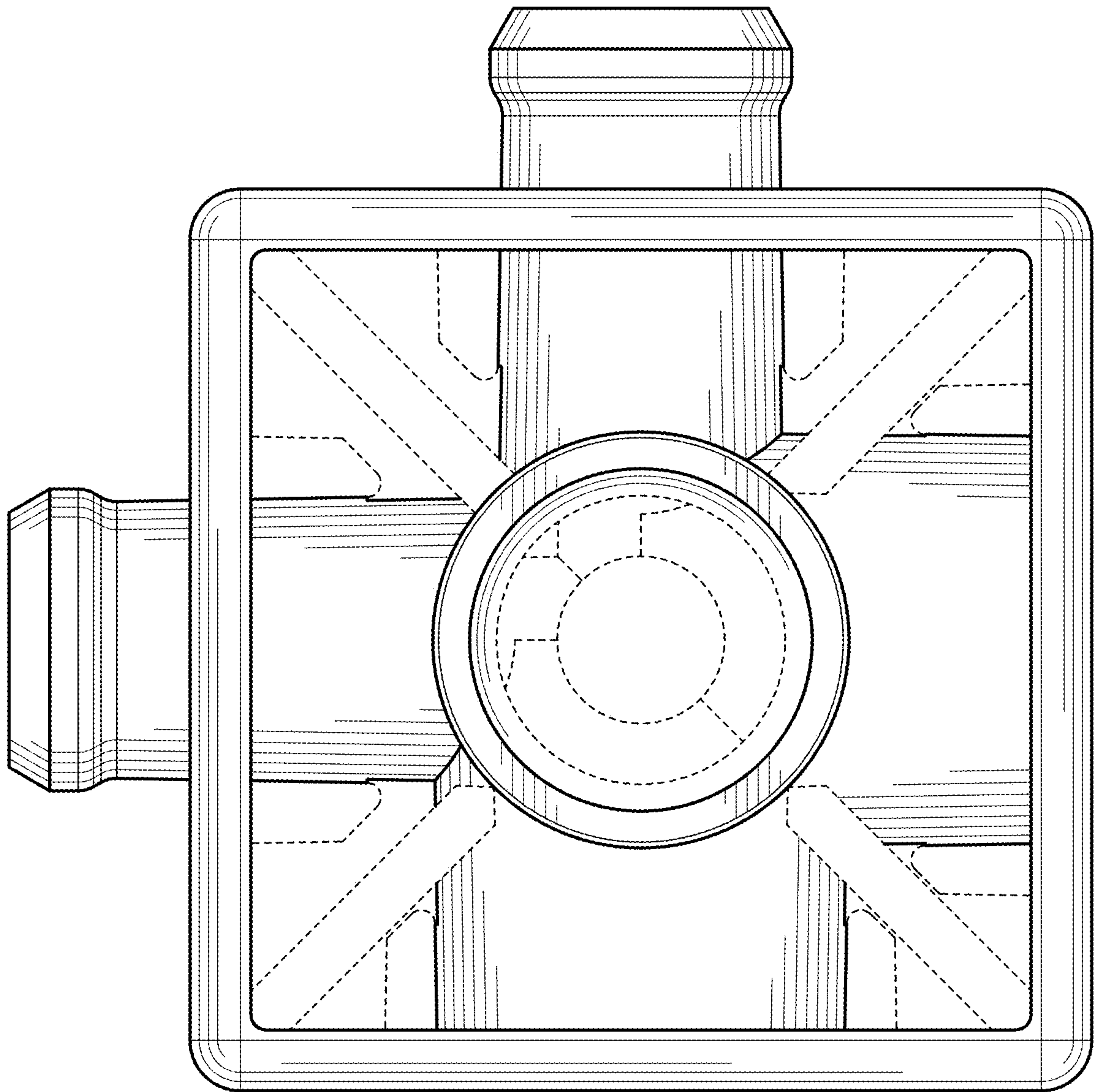


FIG. 7

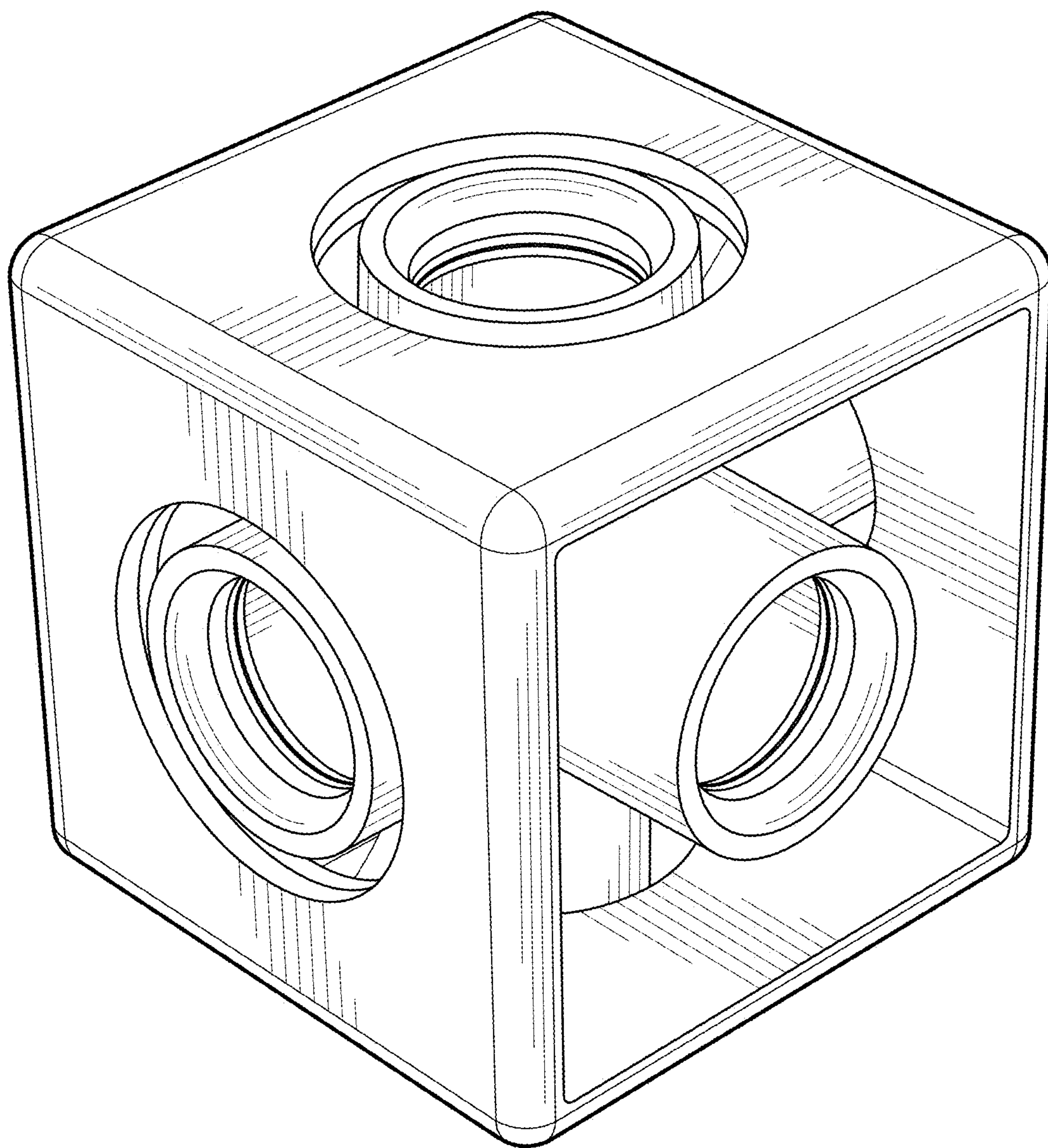


FIG. 8