



US00D937933S

(12) **United States Design Patent**
Tong

(10) **Patent No.:** **US D937,933 S**

(45) **Date of Patent:** **** Dec. 7, 2021**

(54) **CONTROLLER**

(71) Applicant: **RAZER (ASIA-PACIFIC) PTE. LTD.**,
Singapore (SG)

(72) Inventor: **Ien Yu Tong**, Johor (MY)

(73) Assignee: **RAZER (ASIA-PACIFIC) PTE. LTD.**,
Singapore (SG)

(**) Term: **15 Years**

(21) Appl. No.: **29/679,616**

(22) Filed: **Feb. 7, 2019**

(51) **LOC (13) Cl.** **21-01**

(52) **U.S. Cl.**
USPC **D21/333; D14/401**

(58) **Field of Classification Search**
USPC D14/400, 401, 412, 356, 358, 383, 388,
D14/454, 203.3, 218, 426–431; D21/333,
D21/324, 328; D13/162, 162.1, 163,
D13/168–172; D10/78, 103
CPC A63F 13/00; A63F 13/02; A63F 13/20;
A63F 13/24; A63F 13/25; A63F 13/90;
A63F 13/98; G06F 3/014; G06F 3/017;
G05G 9/047

See application file for complete search history.

(56) **References Cited**

U.S. PATENT DOCUMENTS

D439,218 S * 3/2001 Yu D13/103
6,530,838 B2 * 3/2003 Ha A63F 13/06
463/36
7,733,637 B1 * 6/2010 Lam G06F 3/0202
361/679.11
D629,787 S * 12/2010 Lee D14/203.7
D629,788 S * 12/2010 Lee D14/203.7

(Continued)

FOREIGN PATENT DOCUMENTS

EM 007307756-0001 * 12/2019
EM 007439690-0001 * 2/2020

OTHER PUBLICATIONS

“Razer made another Switch-like mobile gamepad, but this one works with Android and iOS,” Razer Kishi controller pictured therein, online, post date Jan. 7, 2020, URL: <https://www.theverge.com/2020/1/7/21054452/razer-kishi-android-ios-switch-like-mobile-game-controller-gamepad-junglecat>, retrieved Aug. 11, 2020.*

(Continued)

Primary Examiner — Rebekah A Caruso

(74) *Attorney, Agent, or Firm* — Polsinelli PC

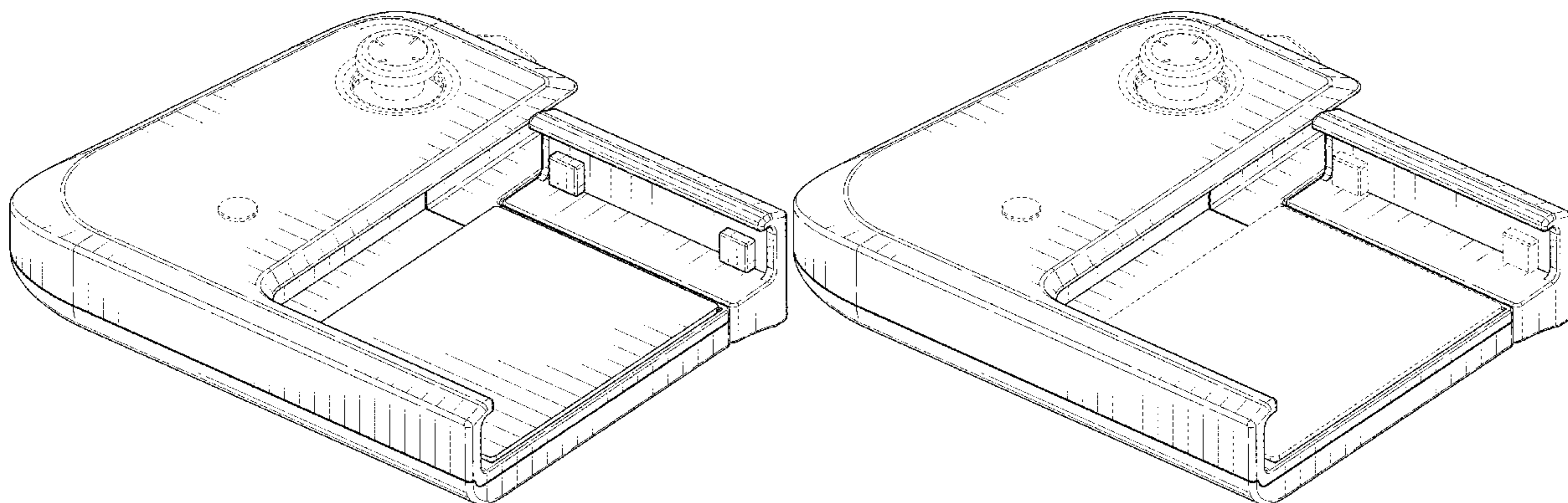
(57) **CLAIM**

I claim the ornamental design for a controller, as shown and described.

DESCRIPTION

FIG. 1 is a top, perspective view of a first embodiment of the controller showing the clamp in a retracted position; FIG. 2 is a right side elevational view thereof; FIG. 3 is a left side elevational view thereof; FIG. 4 is a rear elevational view thereof; FIG. 5 is a front elevational view thereof; FIG. 6 is a top plan view thereof; FIG. 7 is a bottom plan view thereof; and FIG. 8 is a bottom, perspective view thereof. FIG. 9 is a top, perspective view of a second embodiment of the controller showing the clamp in a retracted position; FIG. 10 is a right side elevational view thereof; FIG. 11 is a left side elevational view thereof; FIG. 12 is a rear elevational view thereof; FIG. 13 is a front elevational view thereof; FIG. 14 is a top plan view thereof; FIG. 15 is a bottom plan view thereof; and, FIG. 16 is a bottom, perspective view thereof. Broken lines are for illustrating portions of the controller which form no part of the claimed design.

1 Claim, 10 Drawing Sheets



(56)

References Cited

U.S. PATENT DOCUMENTS

8,529,357 B2 * 9/2013 Joynes G06F 1/1632
463/47
D692,882 S * 11/2013 Lakraa D14/346
D699,791 S * 2/2014 Sugino D21/333
D713,467 S * 9/2014 Sawhney D21/333
D713,468 S * 9/2014 Sawhney D21/333
D720,342 S * 12/2014 Starrett D14/252
D808,466 S * 1/2018 Foster D21/333
D810,202 S * 2/2018 Foster D21/333
D819,642 S * 6/2018 Ehara D14/401
D867,365 S * 11/2019 Corigliano D14/401
D870,207 S * 12/2019 Ali D21/333
D875,836 S * 2/2020 Ehara D21/333
D876,550 S * 2/2020 Ehara D21/333
D878,474 S * 3/2020 Ehara D21/333
D881,191 S * 4/2020 Navid D14/401
D884,796 S * 5/2020 Zhou D21/333
10,758,819 B2 * 9/2020 Gohara A63F 13/428
D912,153 S * 3/2021 Ehara D21/333
D912,155 S * 3/2021 Yang D21/333
11,013,987 B1 * 5/2021 Pelissier A63F 13/24
11,027,191 B2 * 6/2021 Oh A63F 13/92
11,045,723 B1 * 6/2021 Lee A63F 13/23
2013/0154542 A1 * 6/2013 Joynes H02J 7/0042
320/101

2013/0184077 A1 * 7/2013 Galpern A63F 13/06
463/37
2016/0051902 A1 * 2/2016 Joynes A63F 13/235
463/31
2021/0141425 A1 * 5/2021 Kim G06F 1/1632

OTHER PUBLICATIONS

“Razer’s Junglecat brings Nintendo Switch-like snap-on controllers to Android,” Razer Junglecat controller pictured therein, online, post date Oct. 29, 2019, URL: <https://www.theverge.com/circuitbreaker/2019/10/29/20938272/razer-junglecat-bluetooth-gamepad-nintendo-switch-controller>, retrieved Aug. 11, 2020.*

“Razer Junglecat review: Nintendo Switch-like game controllers for Android,” Razer Junglecat gamepad [online] review by Kris Carlon. Posted Nov. 17, 2019. [Retrieved from the Internet Apr. 13, 2021.] <URL: <https://www.androidauthority.com/razer-junglecat-review-1047762/> >.*

“Razer made another Switch-like mobile gamepad . . .” Razer Kishi gamepad [online] review by Jay Peters. Posted Jan. 7, 2020. [Retrieved from the Internet Apr. 13, 2021.] <URL: <https://www.theverge.com/2020/1/7/21054452/razer-kishi-android-ios-switch-like-mobile-game-controller-gamepad-junglecat> >.*

* cited by examiner

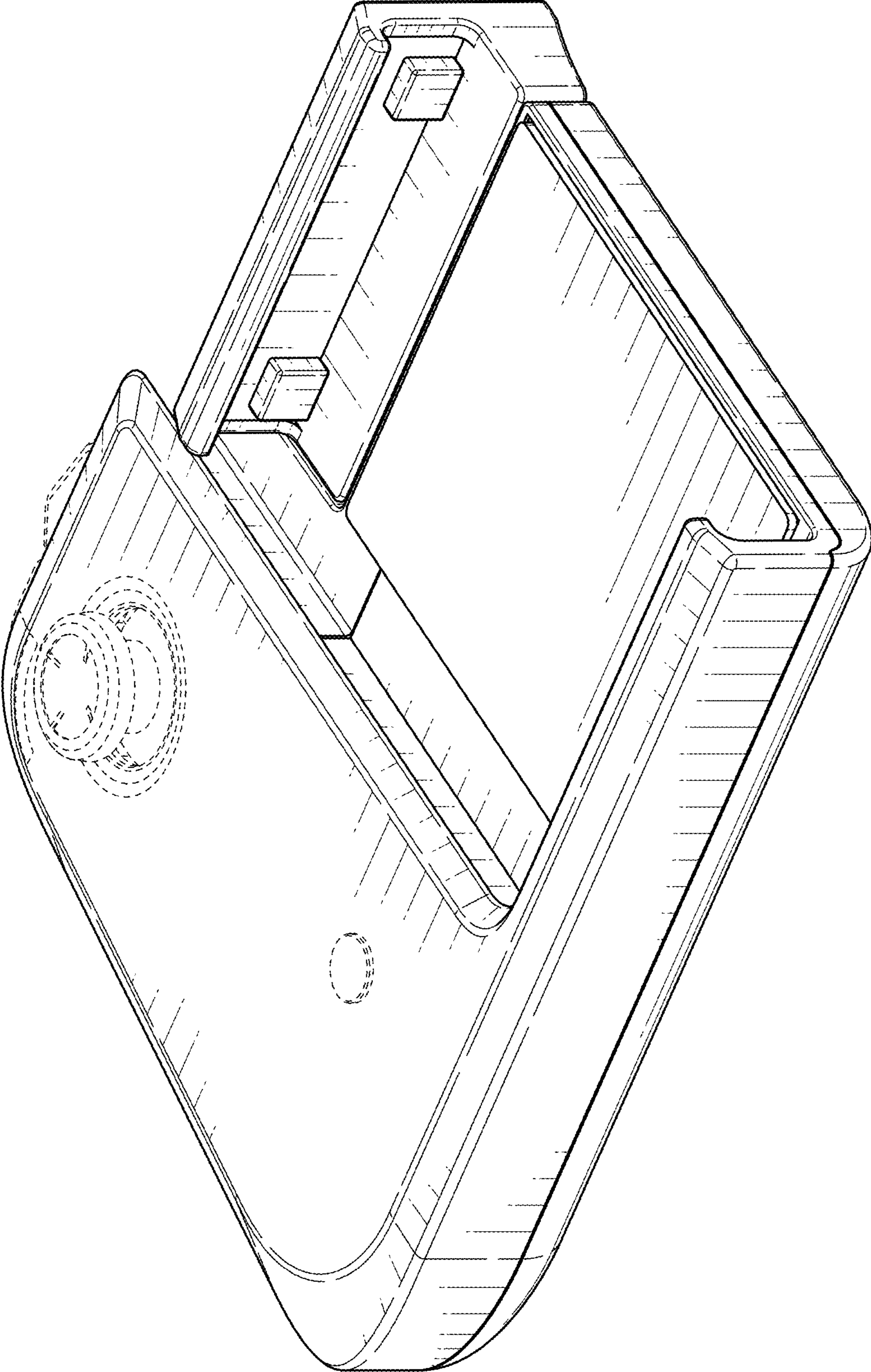


FIG. 1

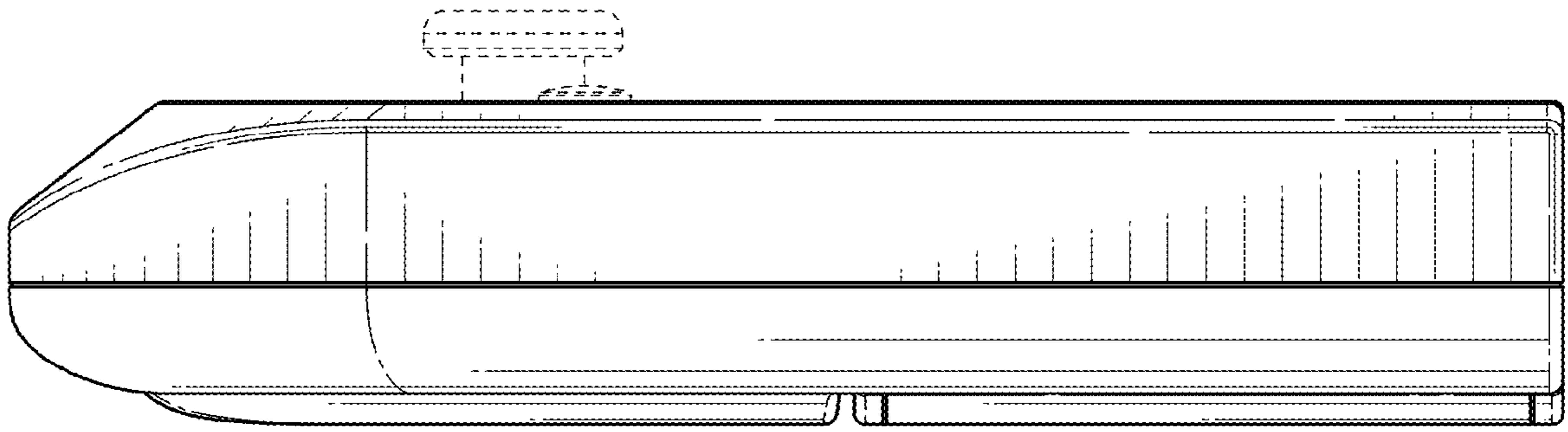


FIG. 2

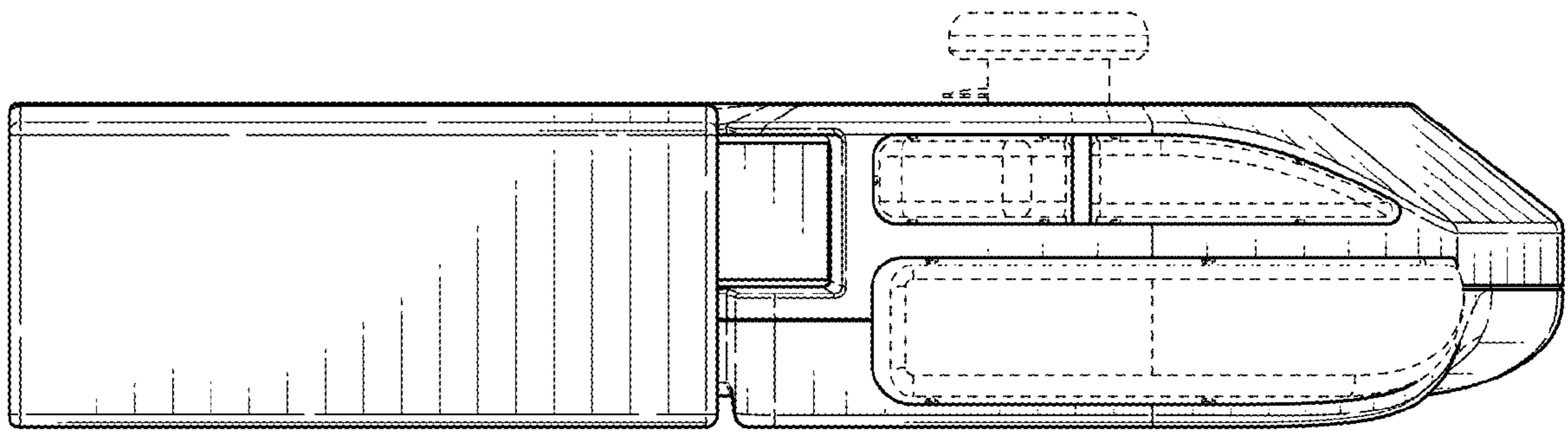


FIG. 3

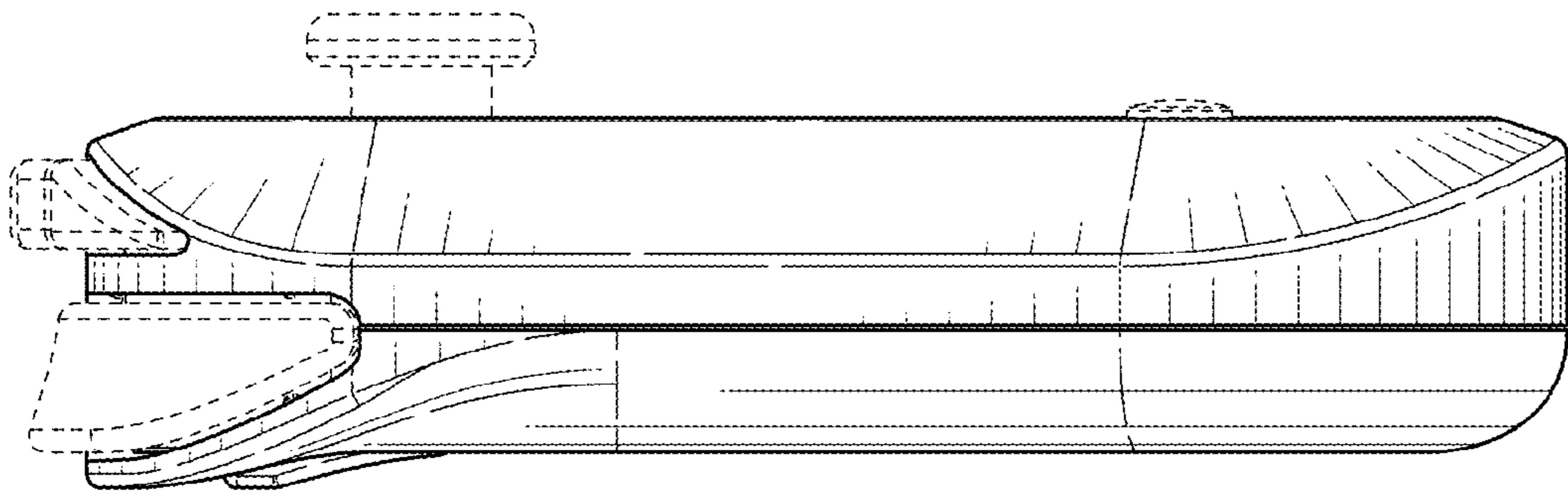


FIG. 4

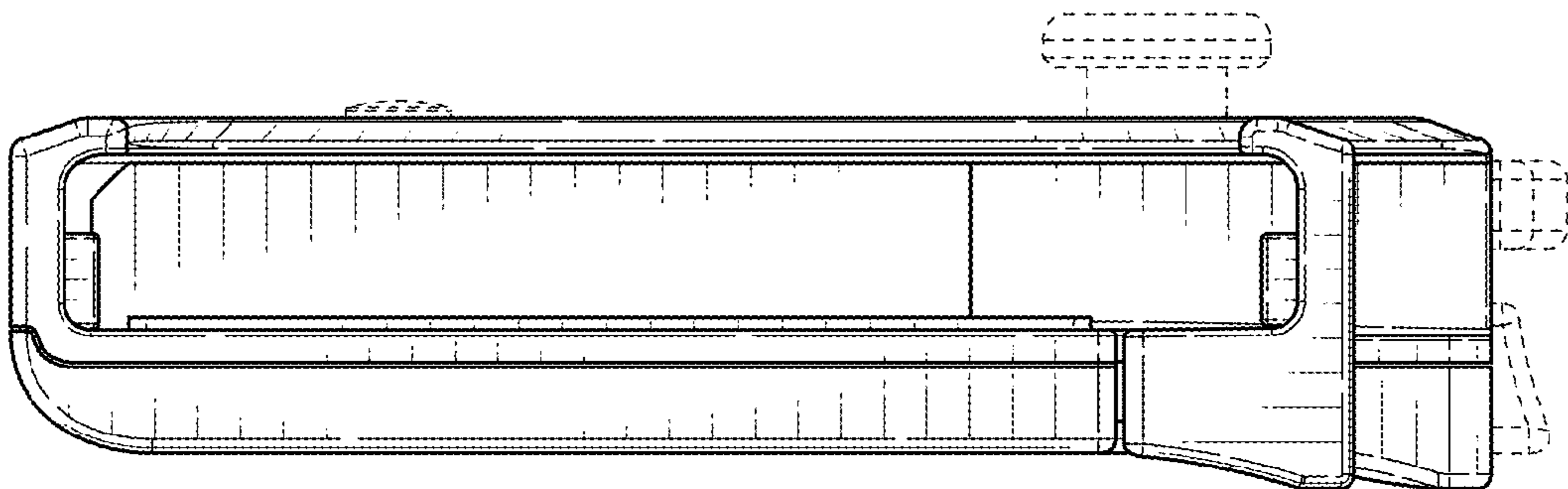


FIG. 5

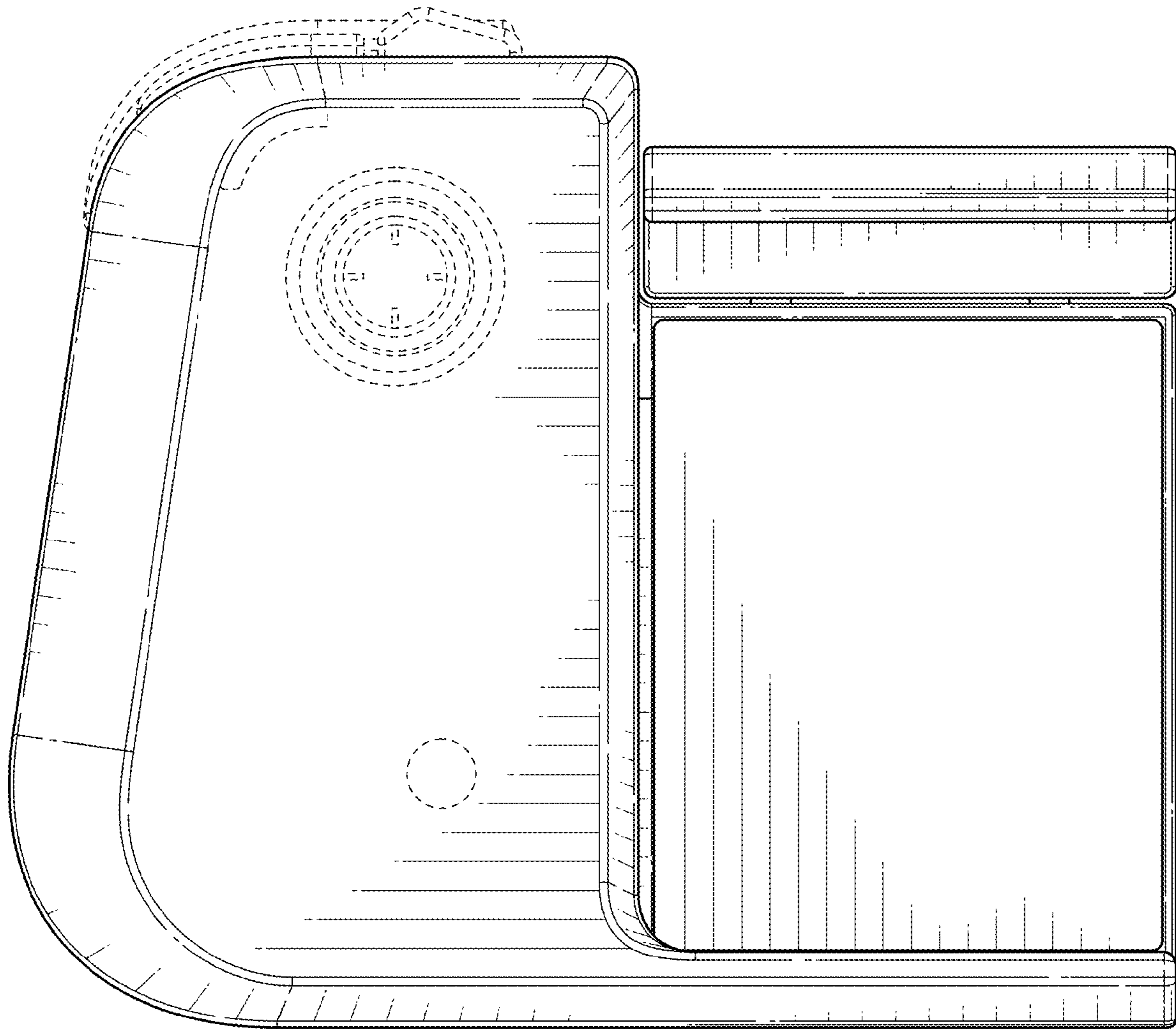


FIG. 6

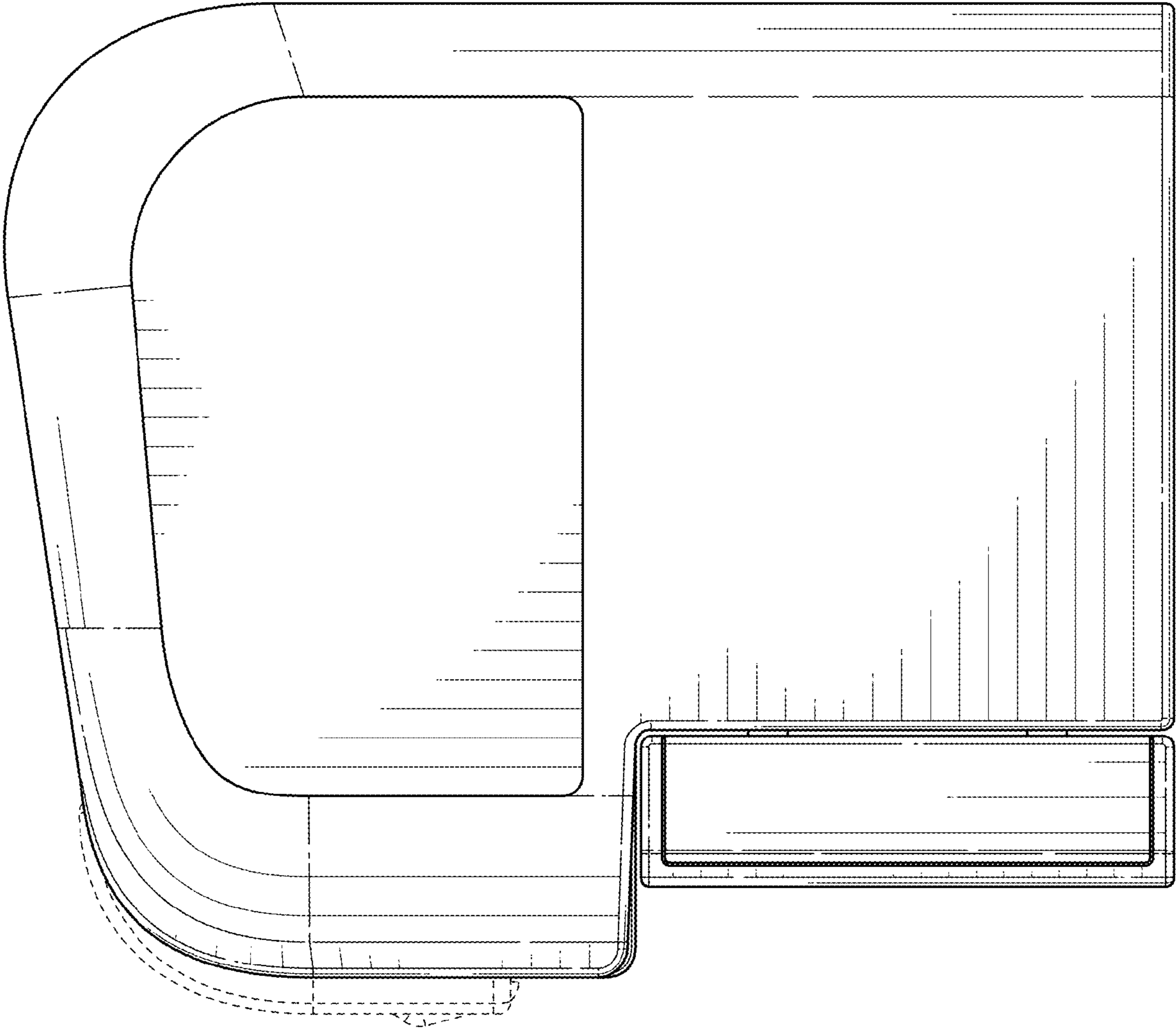


FIG. 7

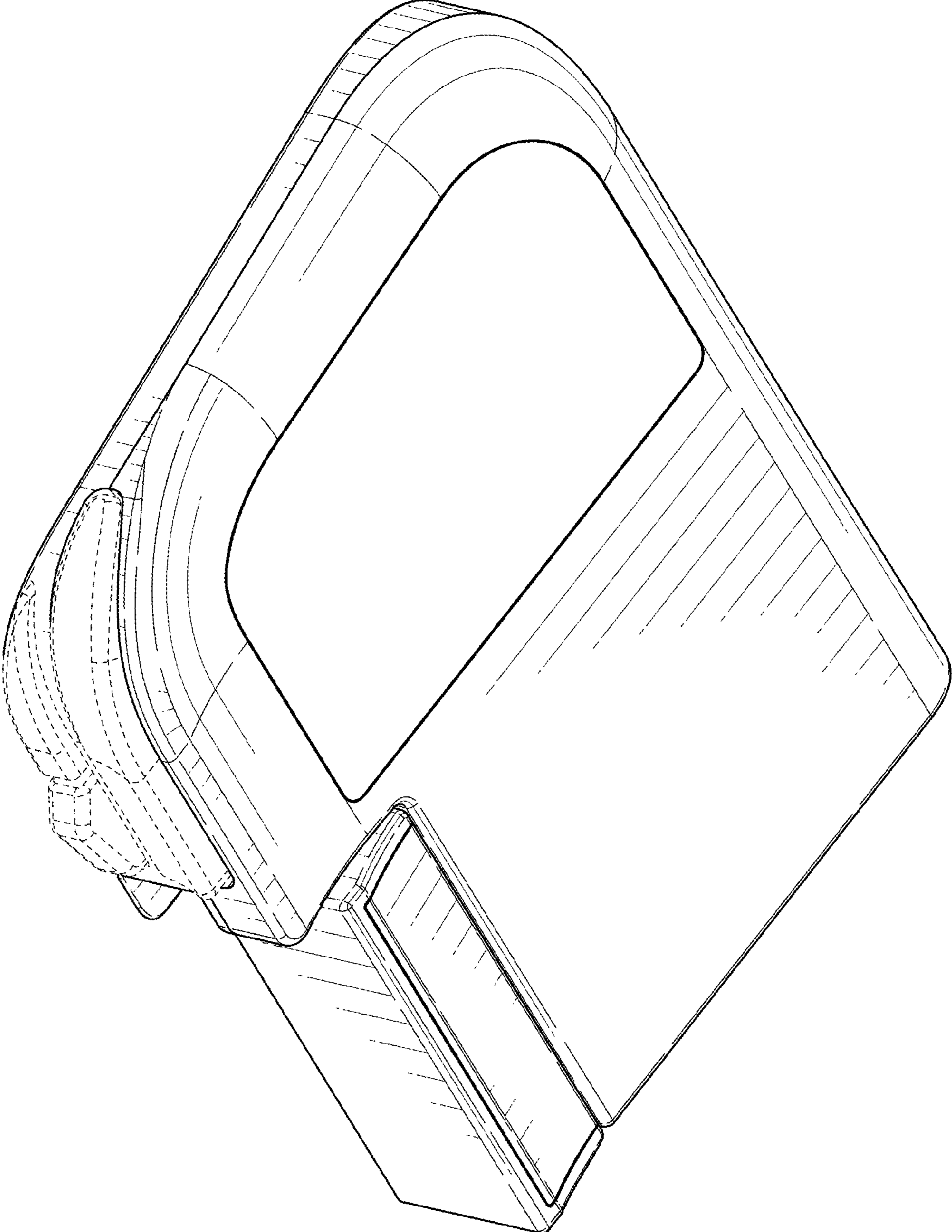


FIG. 8

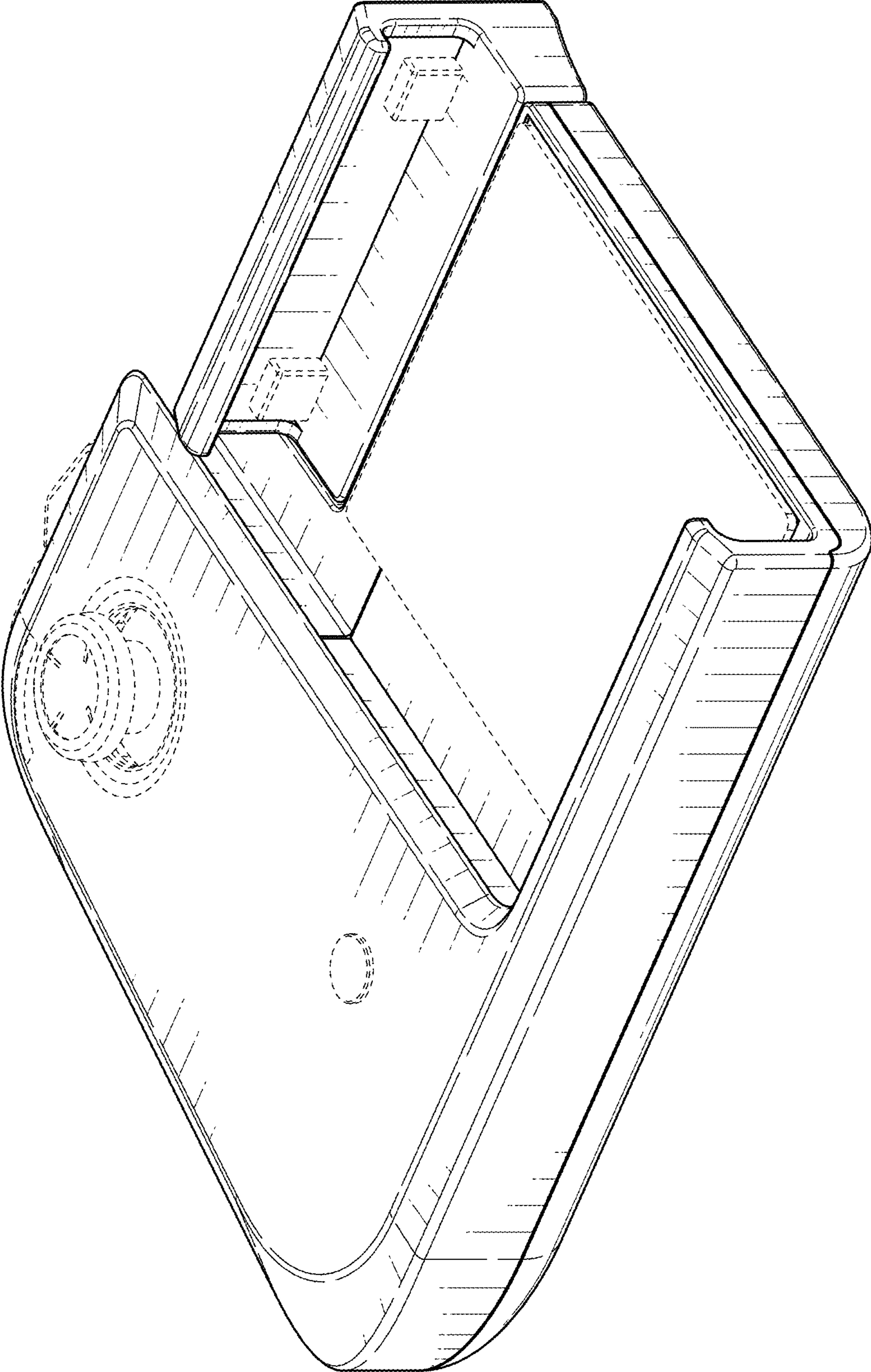


FIG. 9

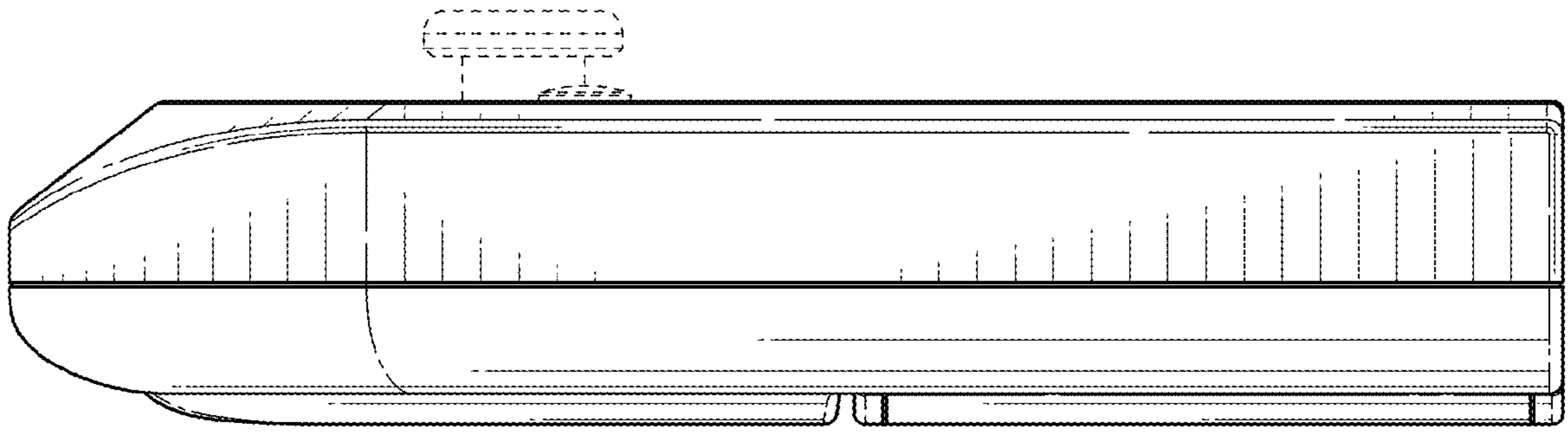


FIG. 10

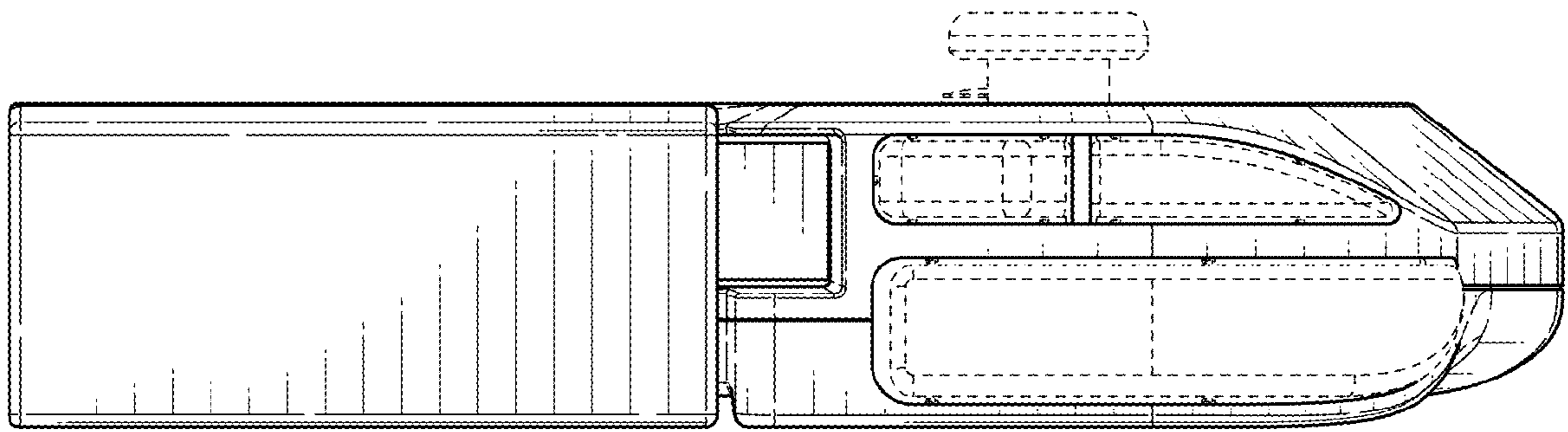


FIG. 11

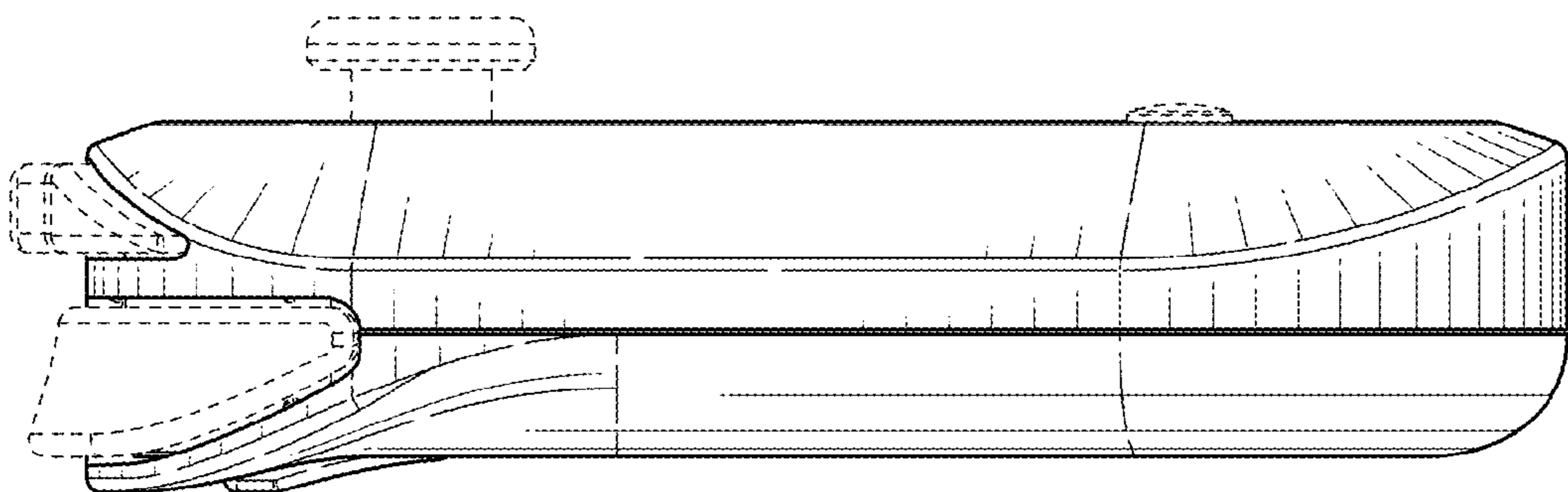


FIG. 12

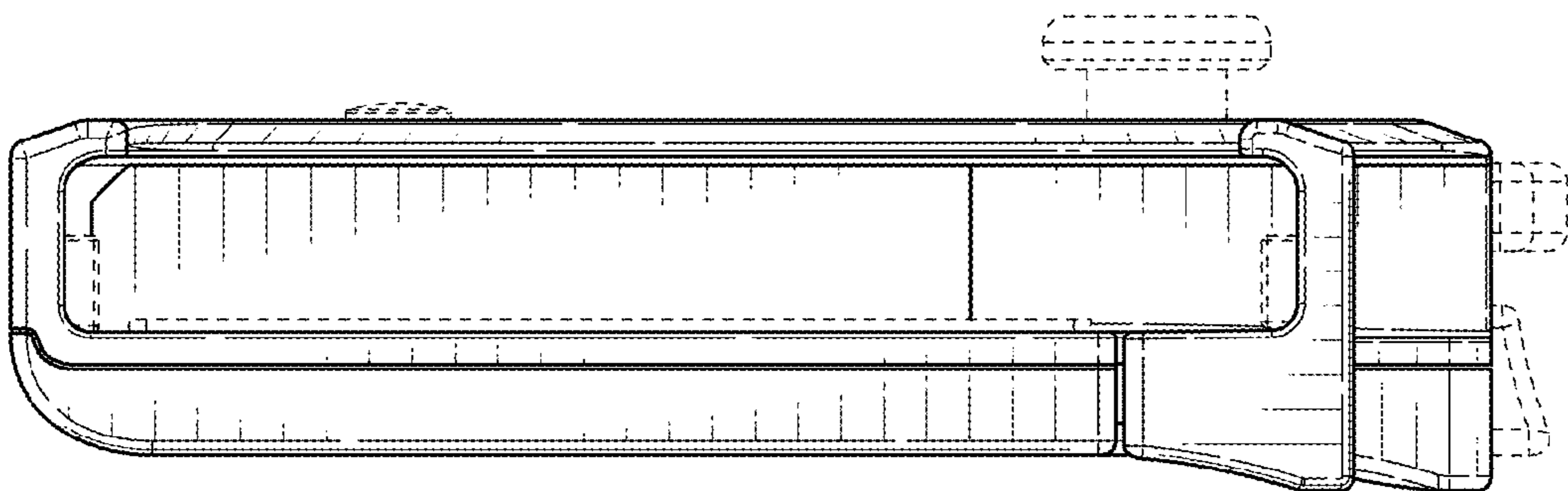


FIG. 13

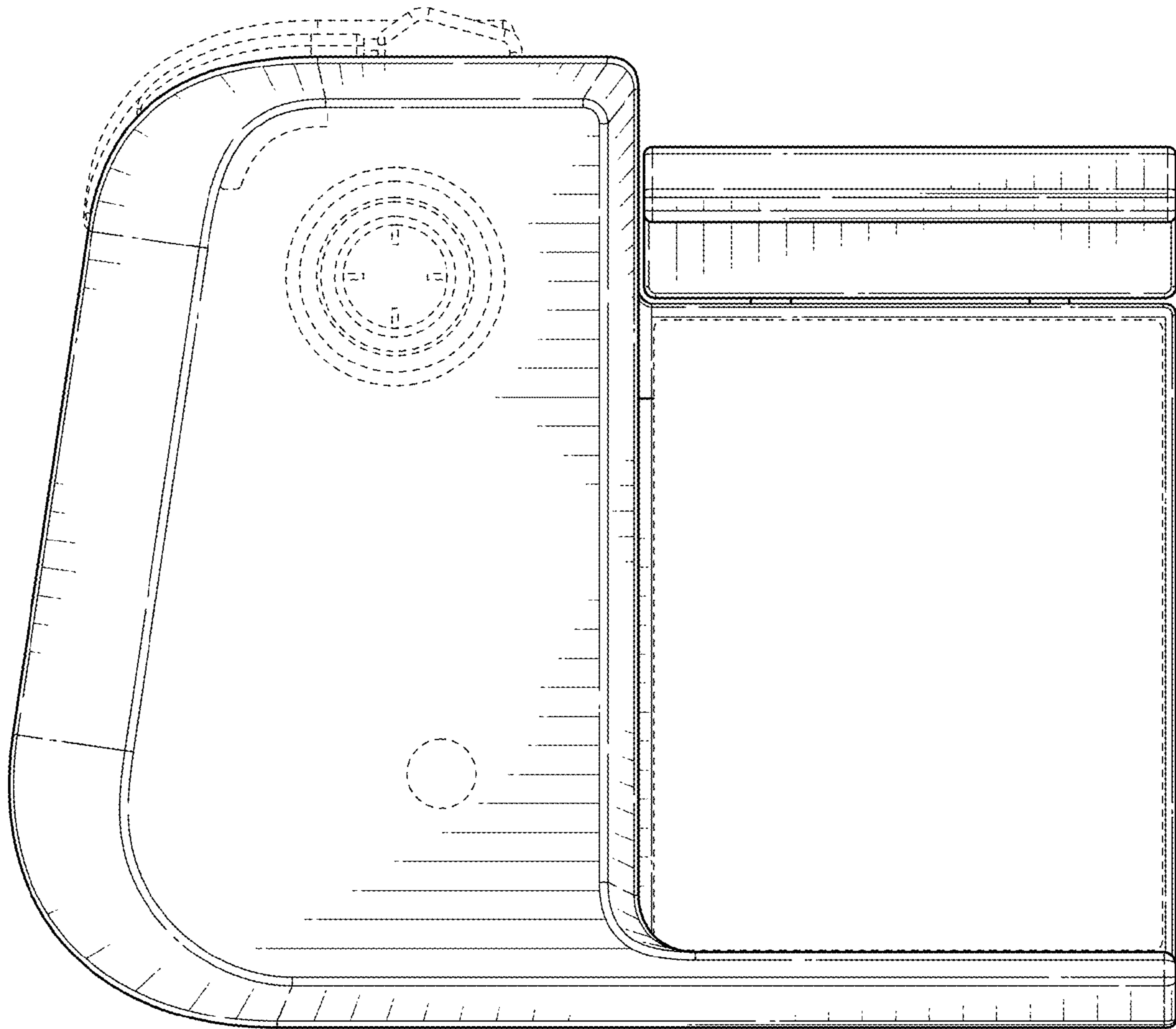


FIG. 14

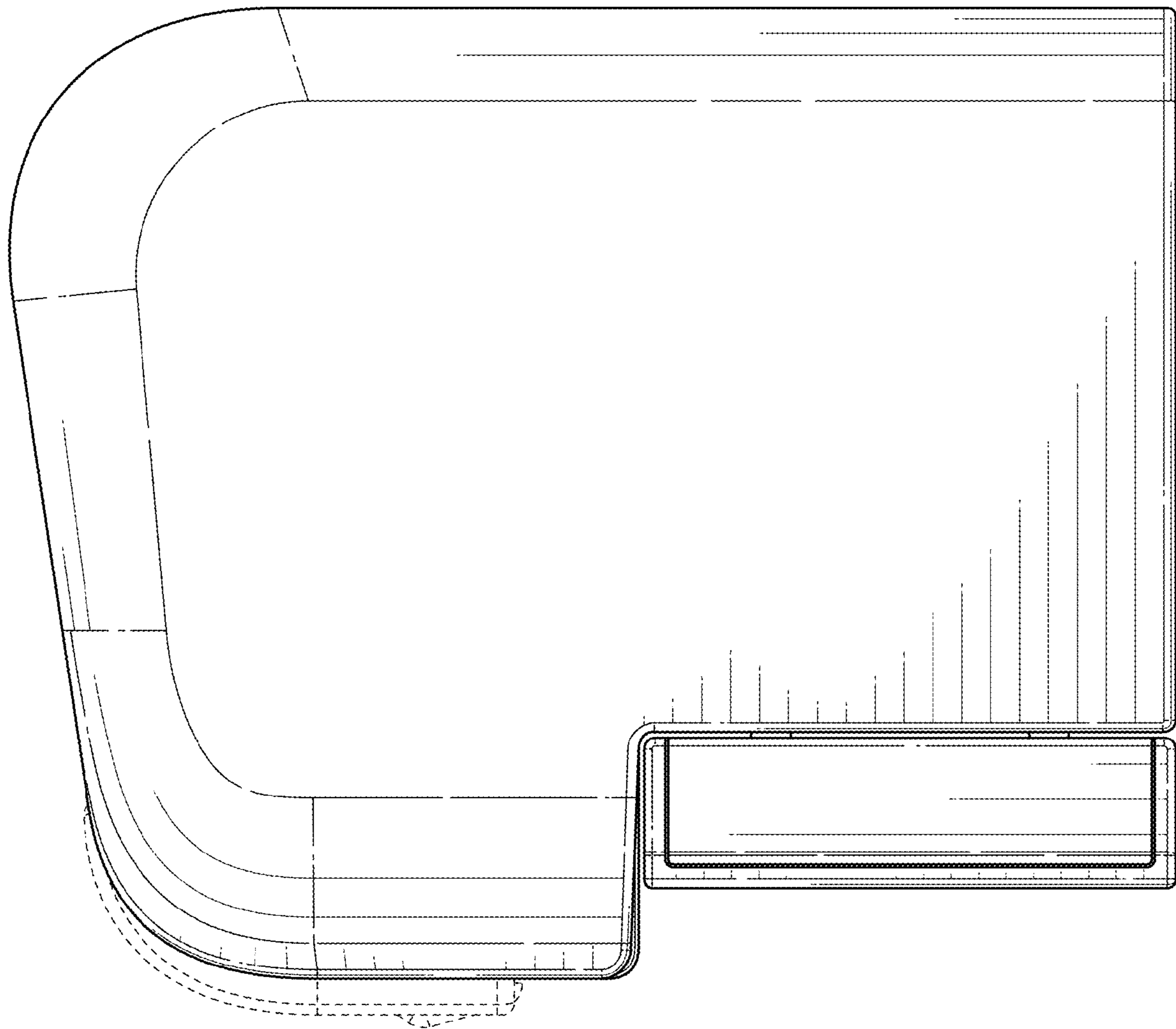


FIG. 15

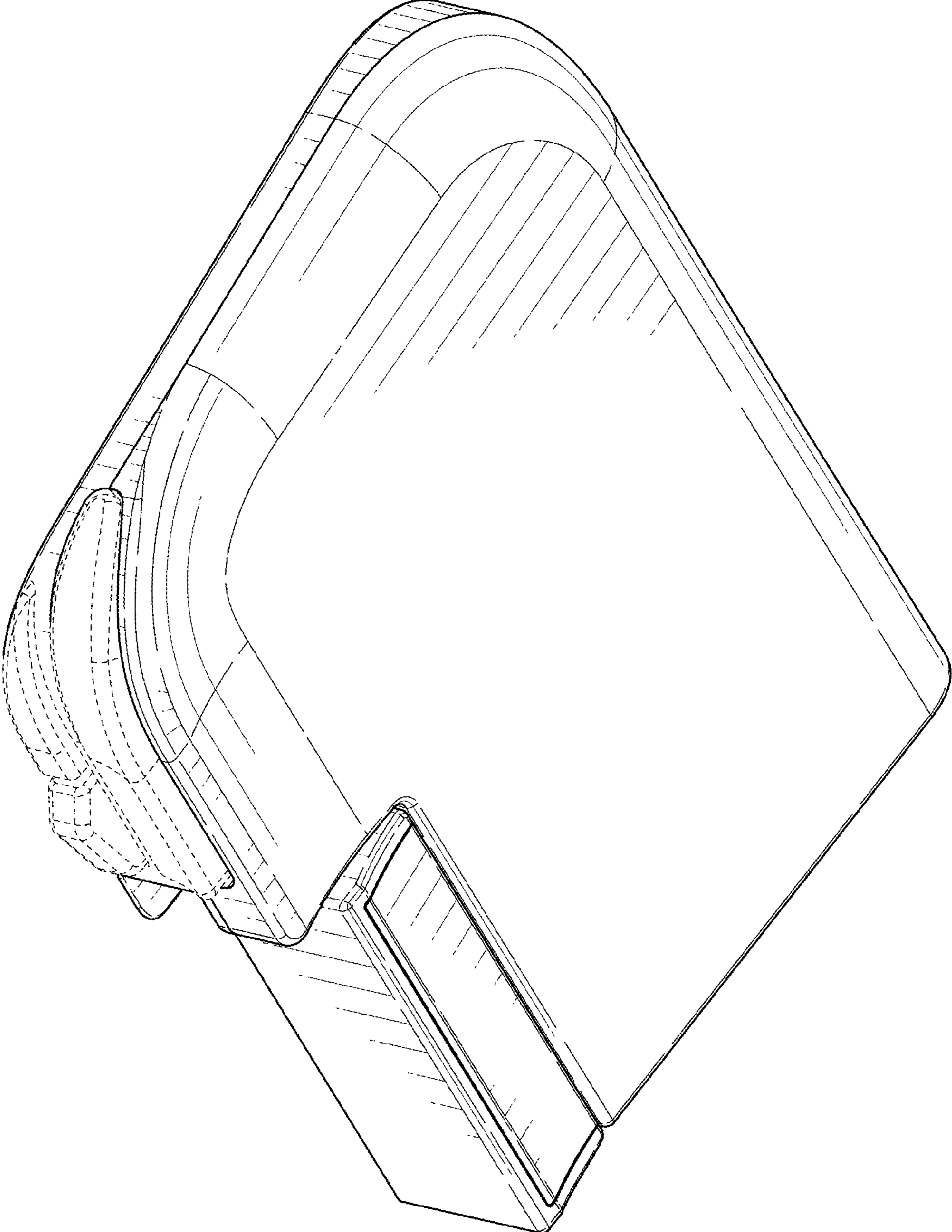


FIG. 16