



US00D937932S

(12) **United States Design Patent**
Lucash

(10) **Patent No.:** **US D937,932 S**

(45) **Date of Patent:** **** Dec. 7, 2021**

(54) **PEN AND BOX**

(71) Applicant: **Hub Pen Company, LLC**, Braintree, MA (US)

(72) Inventor: **Jason Lucash**, Danville, CA (US)

(73) Assignee: **Hub Pen Company, LLC**, Braintree, MA (US)

(**) Term: **15 Years**

(21) Appl. No.: **29/728,396**

(22) Filed: **Mar. 18, 2020**

(51) **LOC (13) Cl.** **19-06**

(52) **U.S. Cl.**
USPC **D19/81**

(58) **Field of Classification Search**
USPC D19/77, 78, 79, 80, 81, 82, 83, 94, 85,
D19/115-204; D14/411
CPC B43K 29/20; B43K 31/00; B43K 5/005;
B43K 23/001; B43K 23/002; B43K
21/003; B43K 21/006; B43M 99/003;
A47F 7/0028
See application file for complete search history.

(56) **References Cited**

U.S. PATENT DOCUMENTS

- 1,883,012 A * 10/1932 Shields A47F 7/03
206/762
- 2,105,424 A * 1/1938 Kahn A45C 11/34
221/246
- D158,175 S * 4/1950 Castelli D3/205
- 3,630,344 A * 12/1971 Bergh A45C 11/34
206/777
- 4,470,518 A * 9/1984 Stein B65D 21/0219
109/45

(Continued)

OTHER PUBLICATIONS

U.S. Appl. No. 16/822,617, filed Mar. 18, 2020, Lucash et al.

Primary Examiner — Elizabeth A. Albert

(74) *Attorney, Agent, or Firm* — Thorpe, North & Western, LLP

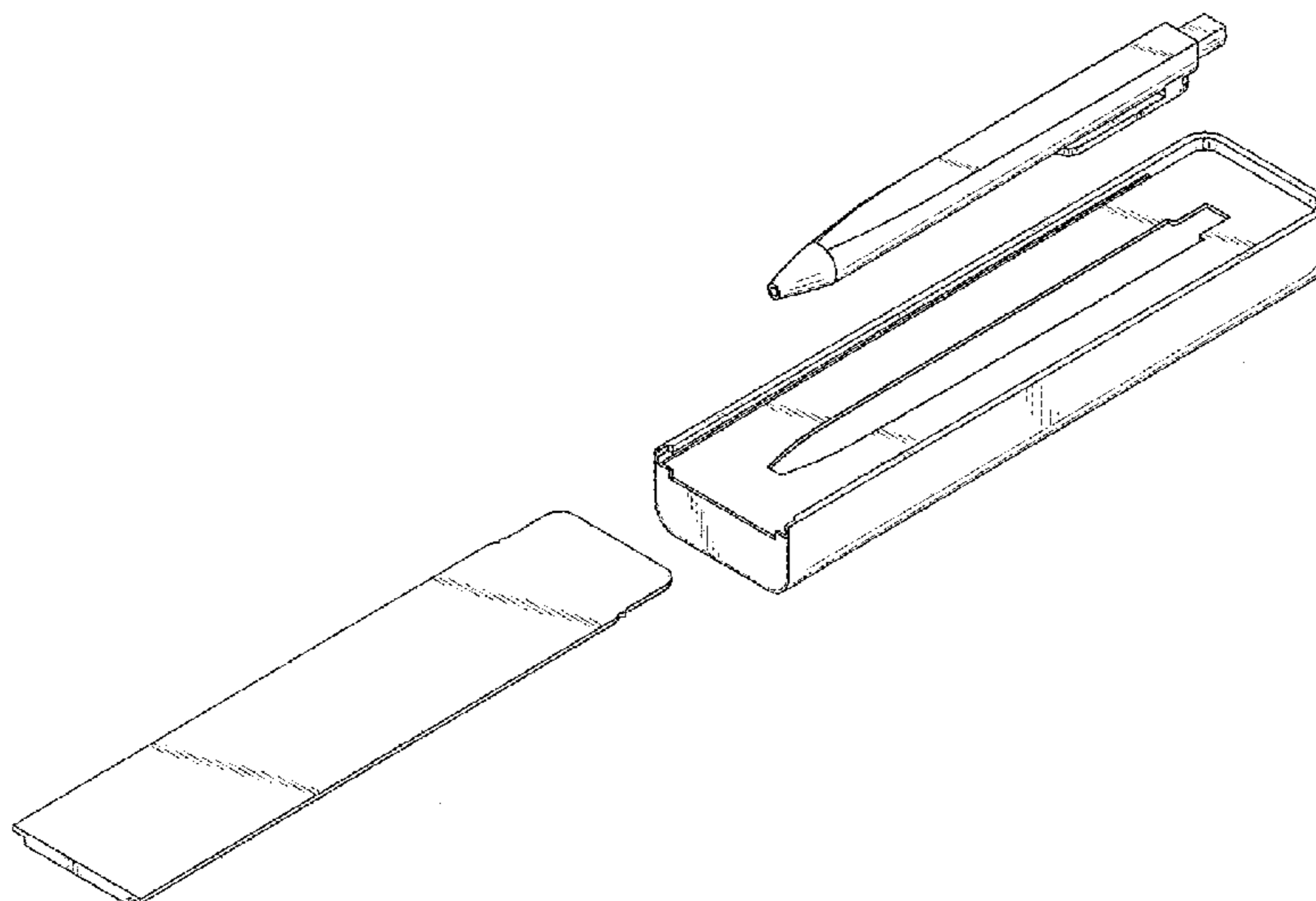
(57) **CLAIM**

The ornamental design for the pen and box, as shown and described.

DESCRIPTION

FIG. 1 is an exploded perspective view of a pen and box in accordance with our invention;
 FIG. 2 is a perspective view of FIG. 1 with the box in open condition;
 FIG. 3 is a perspective view of FIG. 1 with the box in closed condition;
 FIG. 4 is a perspective view of the lid of FIG. 1 shown without the pen or lower part of the box for convenience;
 FIG. 5 is a top plan view of FIG. 4;
 FIG. 6 is a bottom plan view of FIG. 4;
 FIG. 7 is a side view of FIG. 4, the opposite side being a mirror image thereof;
 FIG. 8 is an end view of FIG. 4;
 FIG. 9 is an opposite end view of FIG. 4;
 FIG. 10 is a perspective view of the box of FIG. 1 shown without the lid or pen for convenience;
 FIG. 11 is a top plan view of FIG. 10;
 FIG. 12 is a bottom plan view of FIG. 10;
 FIG. 13 is a side view of FIG. 10;
 FIG. 14 is an opposite side view of FIG. 10;
 FIG. 15 is an end view of FIG. 10;
 FIG. 16 is an opposite end view of FIG. 10;
 FIG. 17 is a perspective view of the pen of FIG. 1 shown without the box for convenience;
 FIG. 18 is a top plan view of FIG. 17;
 FIG. 19 is a bottom plan view of FIG. 17;
 FIG. 20 is a side view of FIG. 17;
 FIG. 21 is an opposite side view of FIG. 17;
 FIG. 22 is an end view of FIG. 17; and,
 FIG. 23 is an opposite end view of FIG. 17.

1 Claim, 11 Drawing Sheets



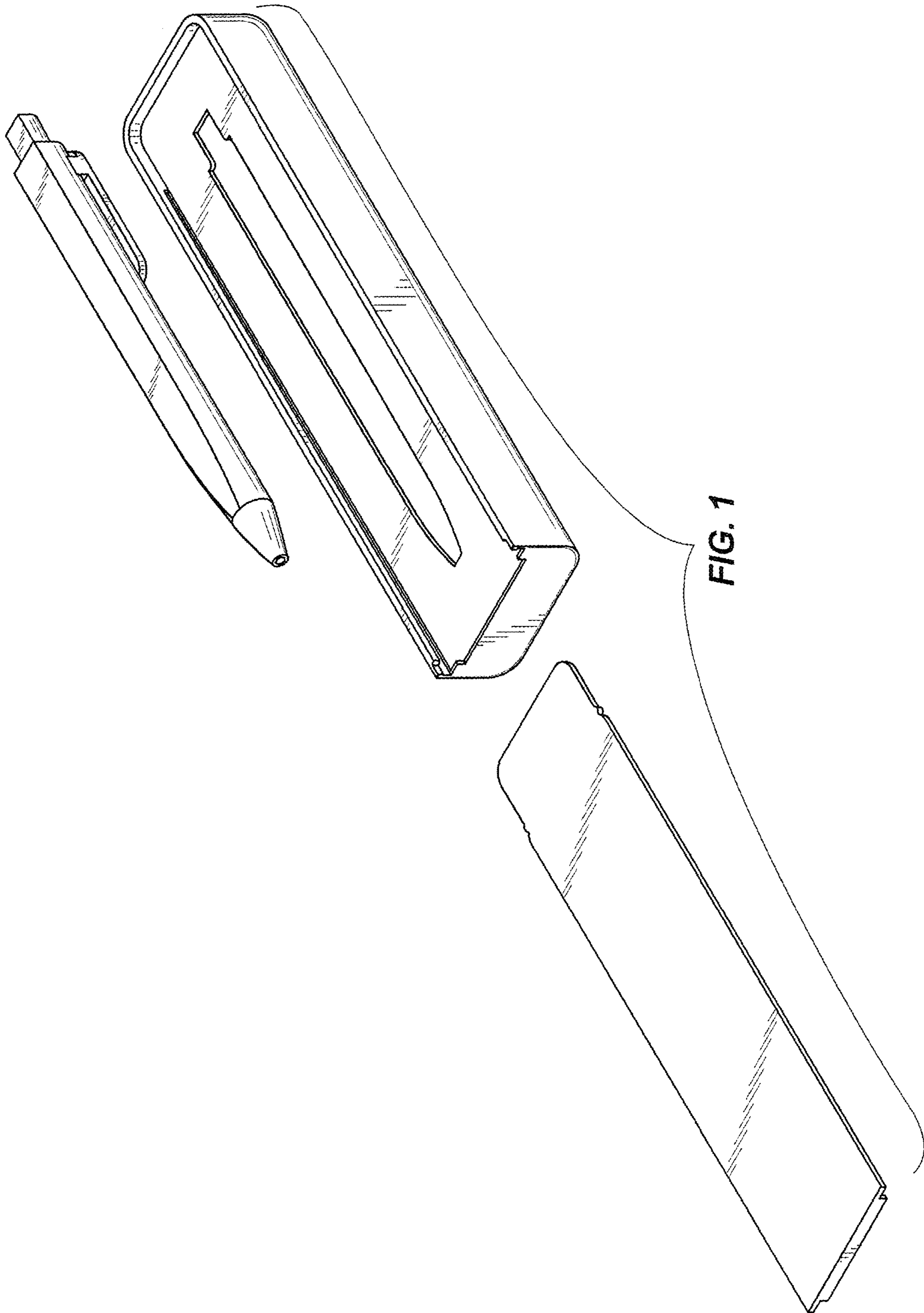
(56)

References Cited

U.S. PATENT DOCUMENTS

5,129,538	A *	7/1992	Bennett	B65D 43/20				
					220/315				
D362,274	S *	9/1995	Willat	D19/77				
5,495,938	A *	3/1996	Bedford	A45C 11/34				
					206/214				
D372,580	S *	8/1996	Chipman, Sr.	D3/262				
5,577,629	A *	11/1996	Rosler	B25H 3/023				
					220/345.3				
D395,673	S *	6/1998	Baubil	D19/173				
6,074,115	A *	6/2000	Fantinelli						
6,196,388	B1 *	3/2001	Kaposvari	A45C 11/34				
					206/214				
D464,260	S *	10/2002	Dijkstra	D9/418				
D506,225	S *	6/2005	Mills	D19/77				
7,086,798	B1	8/2006	Ceteca						
D610,615	S *	2/2010	Li	D19/173				
D648,630	S *	11/2011	Doster	D9/456				
D715,298	S *	10/2014	Hong	D14/411				
D746,375	S *	12/2015	Ossola	D19/177				
D768,133	S *	10/2016	Reed	D14/411				
D777,836	S *	1/2017	Schnug	D19/173				
D781,293	S *	3/2017	Mitchell	D14/411				
D794,120	S *	8/2017	Takemura	D19/81				
D825,566	S *	8/2018	Peterson	D14/411				
D826,230	S *	8/2018	Peterson	D14/411				
D838,777	S *	1/2019	Schnug	D19/168				
D857,796	S *	8/2019	Pisapia	D19/171				
D874,280	S *	2/2020	Malone	D9/456				
D896,810	S *	9/2020	Akana	D14/411				
10,792,952	B1 *	10/2020	Lucash	A45C 11/34				
10,865,030	B2 *	12/2020	Rehders	B65D 85/10				
D909,380	S *	2/2021	Liu	D14/411				
D915,404	S *	4/2021	Lai	D14/411				
D915,405	S *	4/2021	Lee	D14/411				
2003/0164821	A1	9/2003	Rezania						
2003/0235455	A1 *	12/2003	Chao	B43K 29/20				
					401/131				
2006/0228162	A1	10/2006	Cetera						
2007/0053738	A1	3/2007	Raeder						
2009/0055318	A1	2/2009	Borkowski						

* cited by examiner



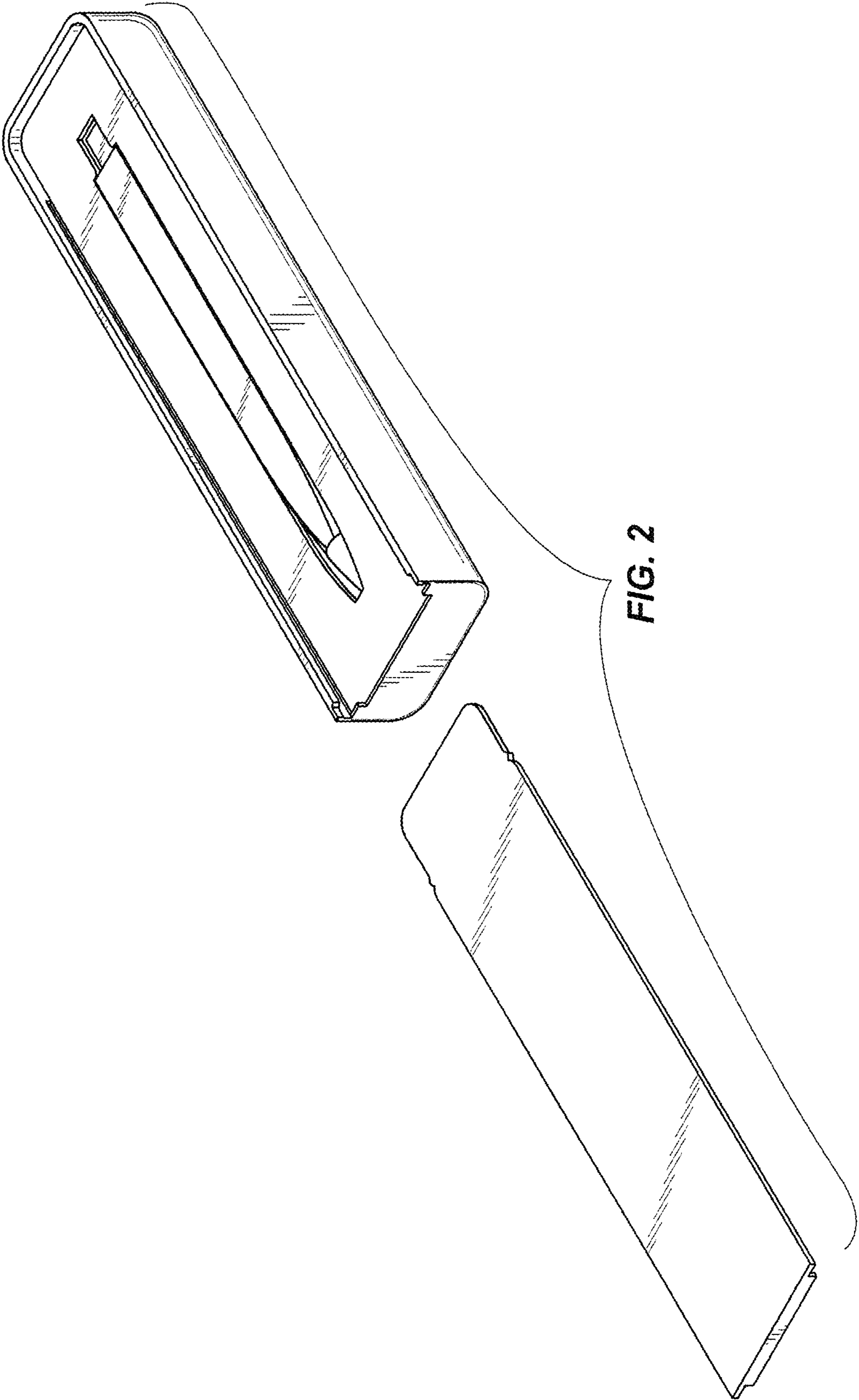


FIG. 2

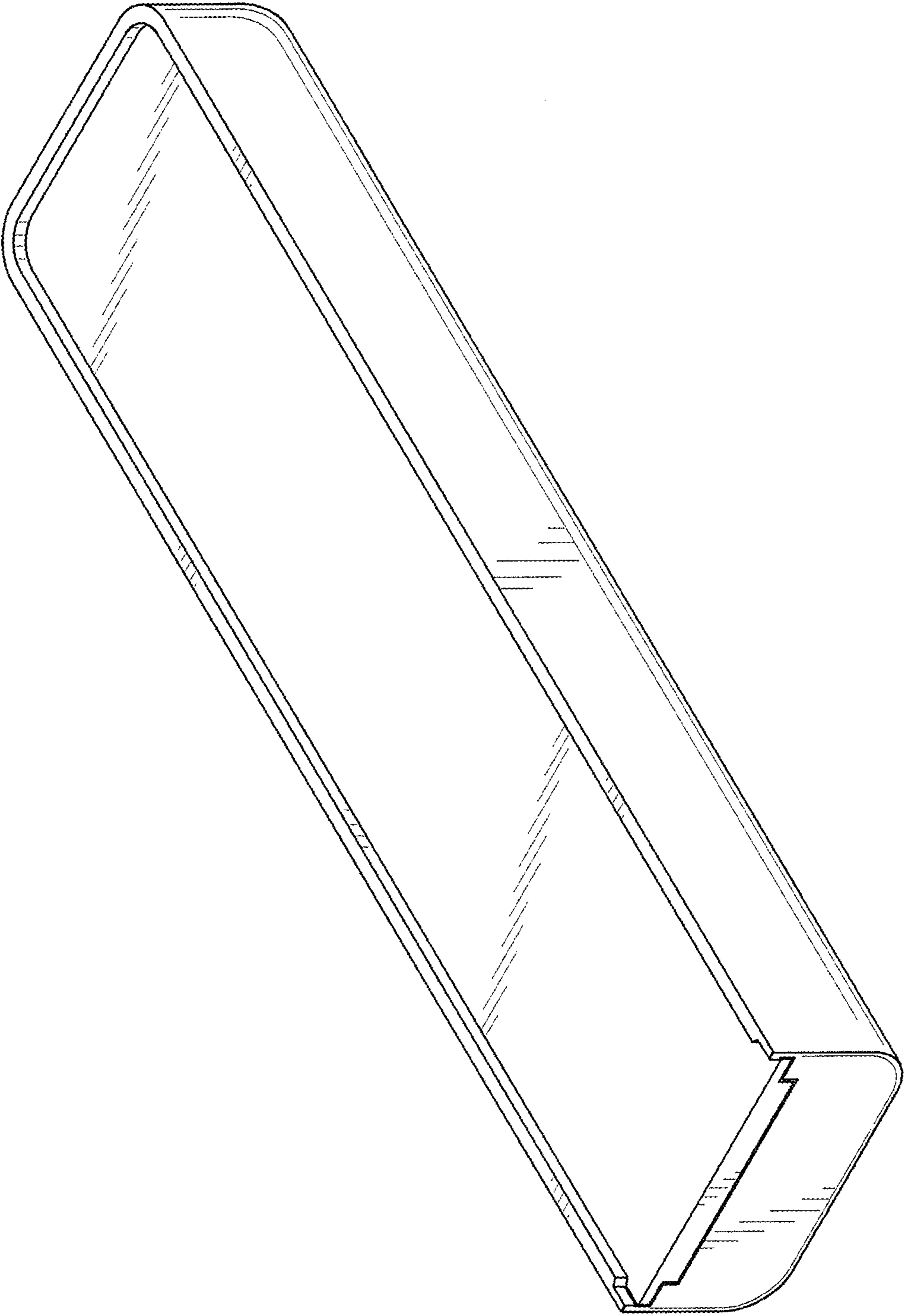
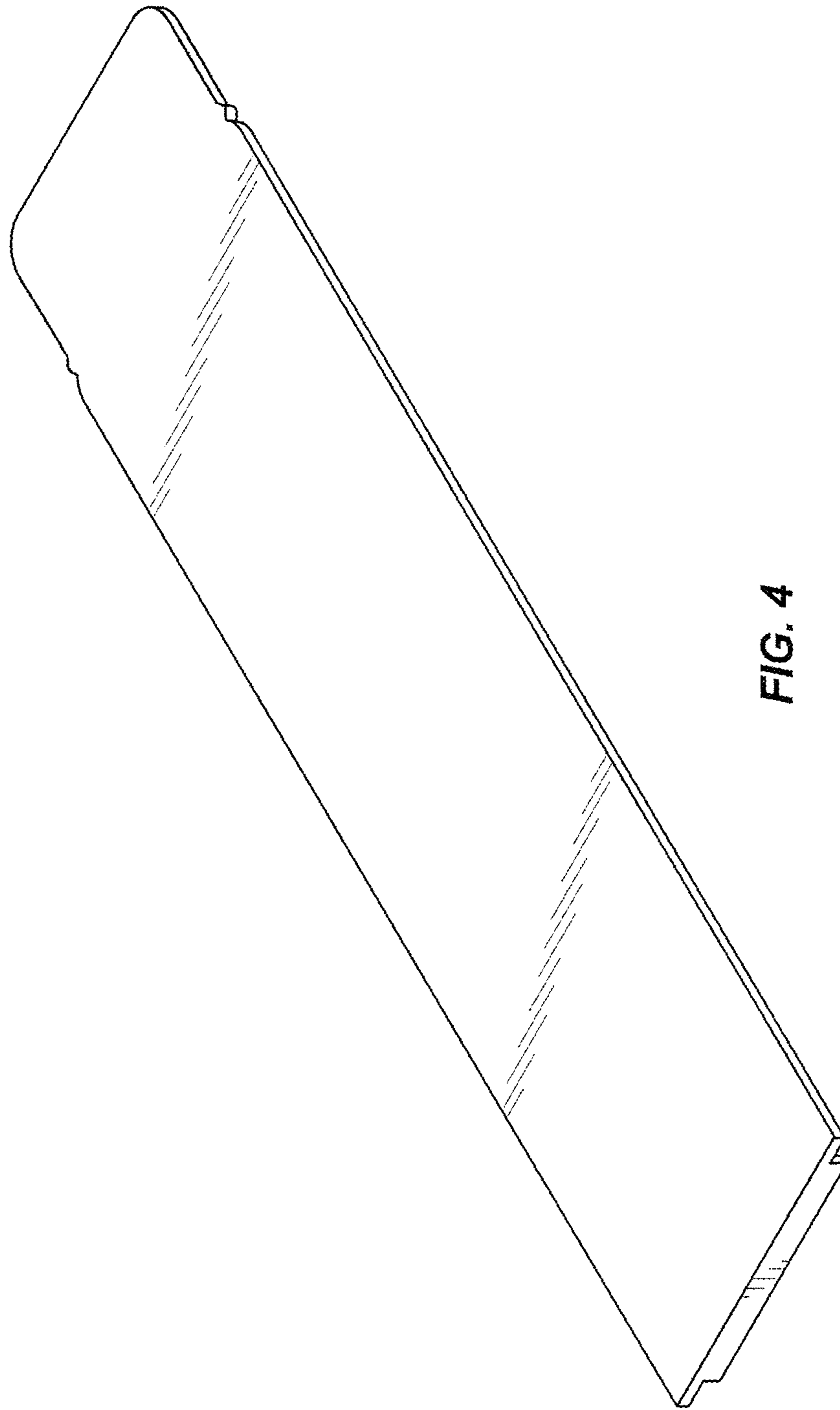


FIG. 3



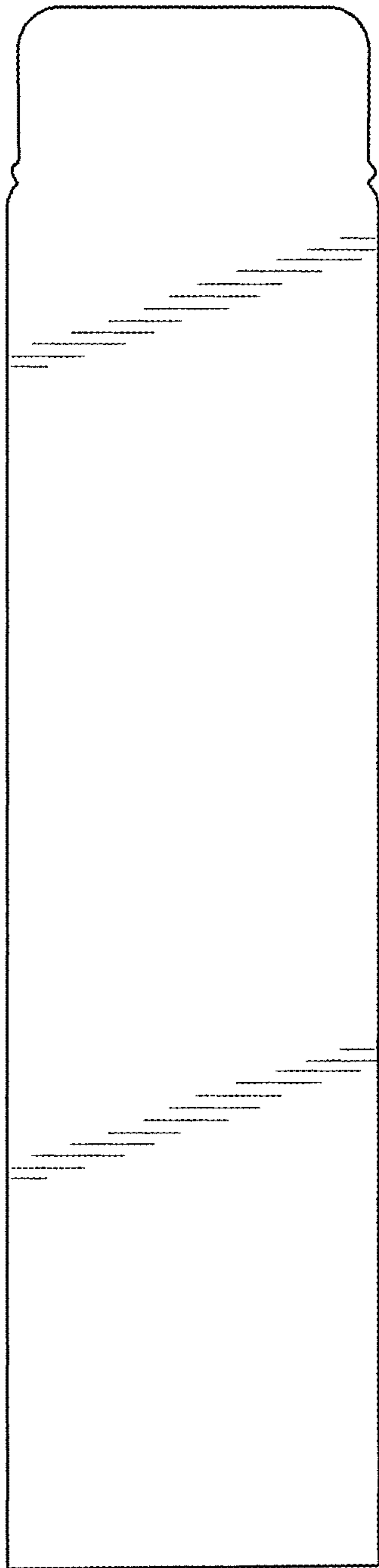


FIG. 5

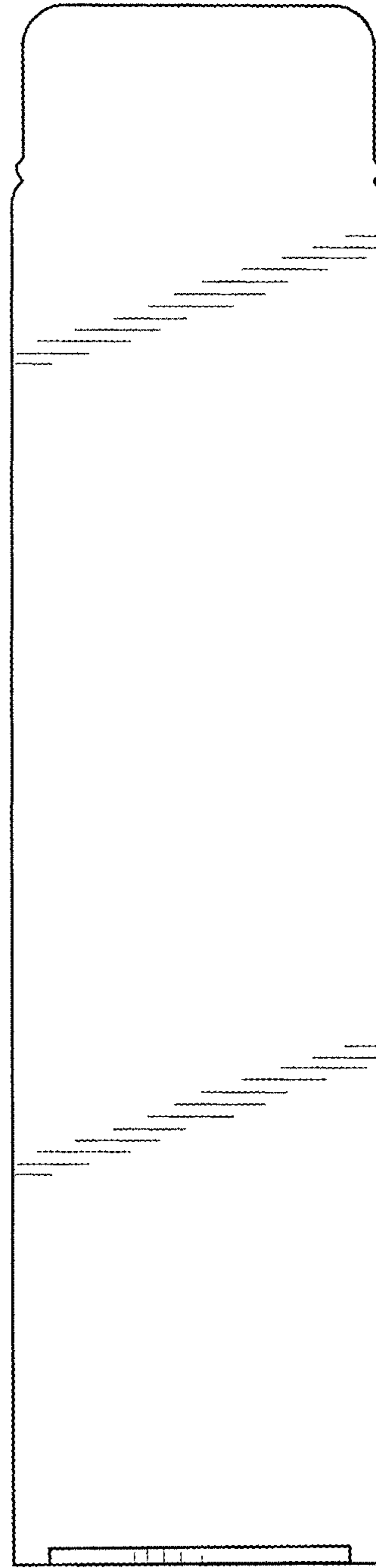


FIG. 6

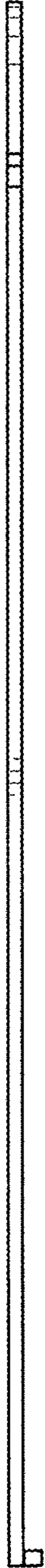


FIG. 7



FIG. 8



FIG. 9

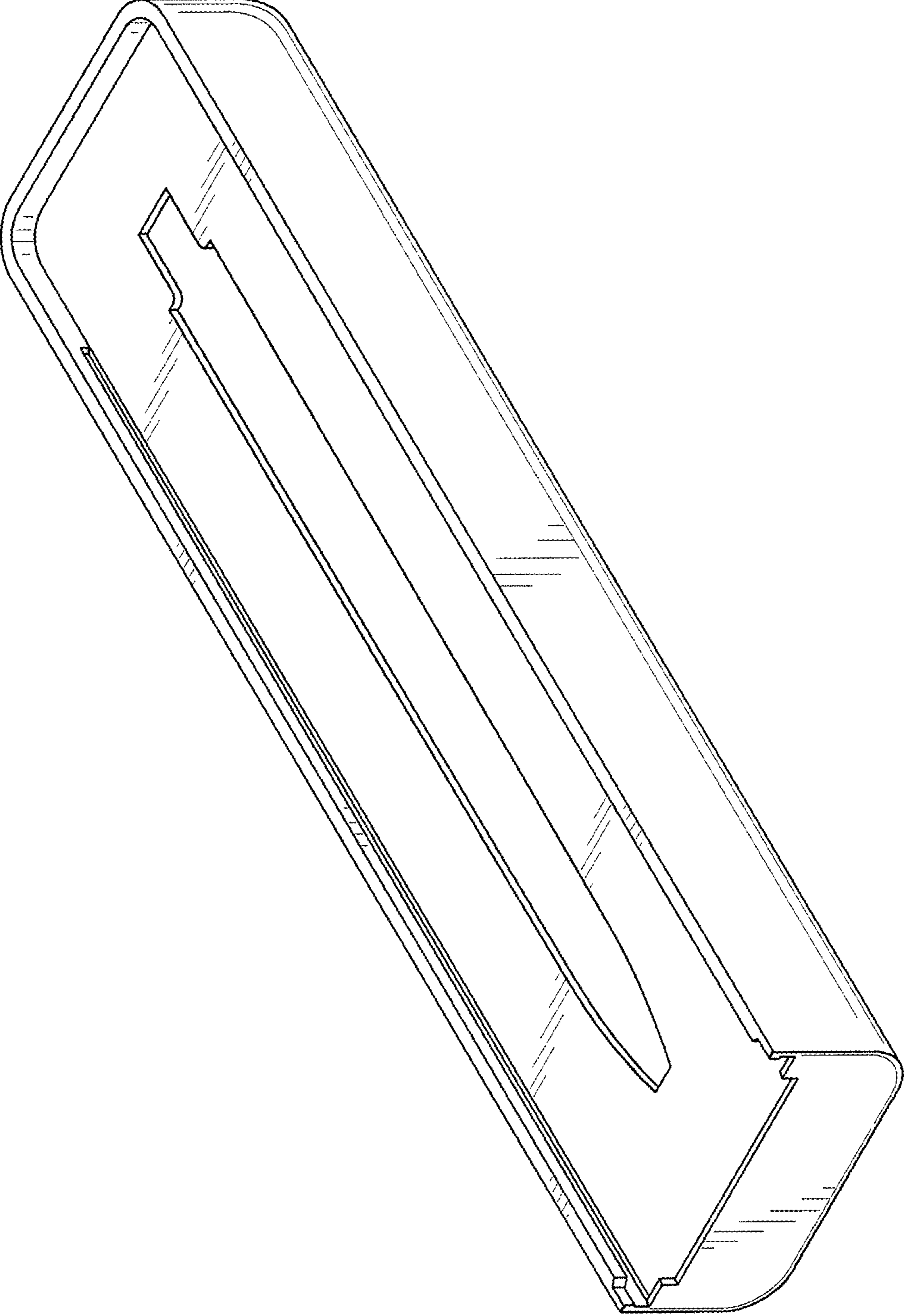


FIG. 10

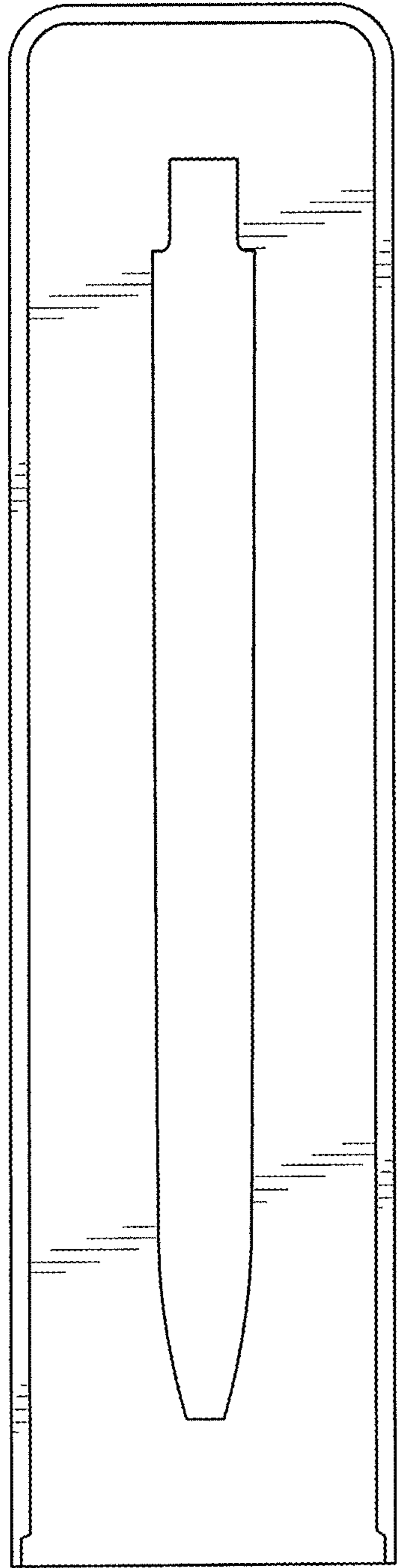


FIG. 11

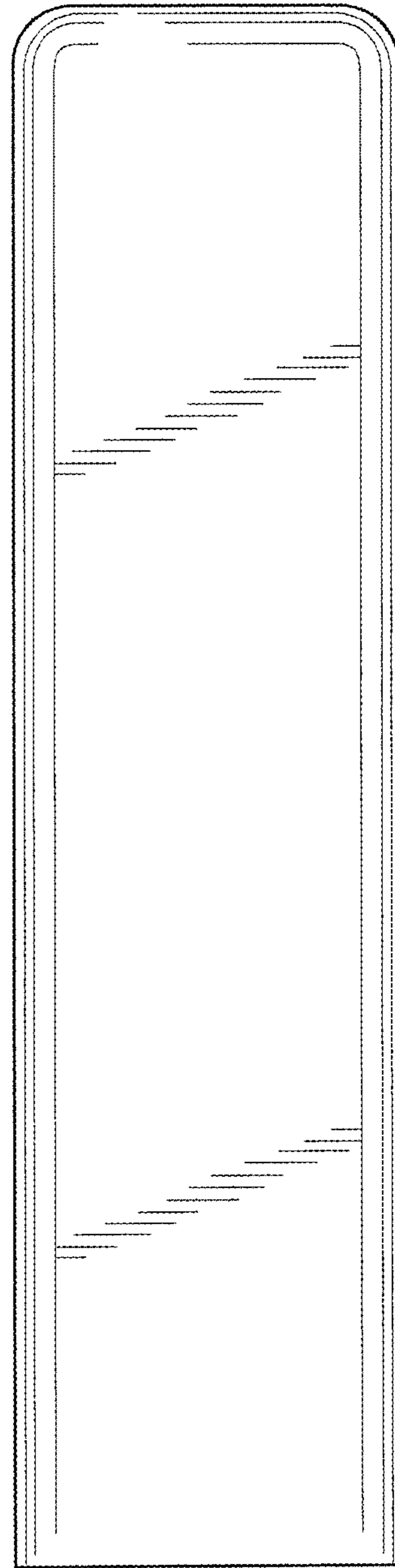


FIG. 12

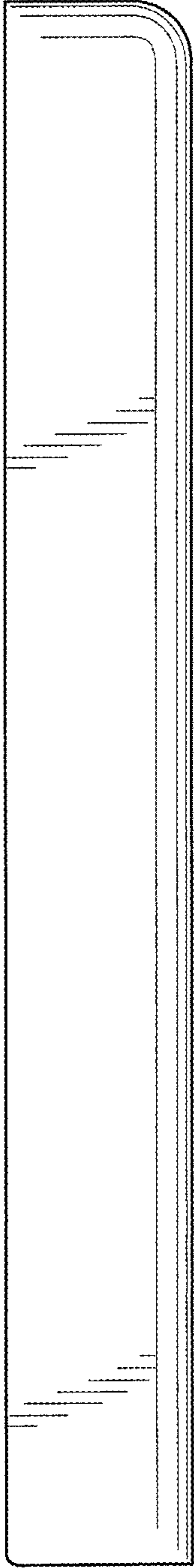


FIG. 13

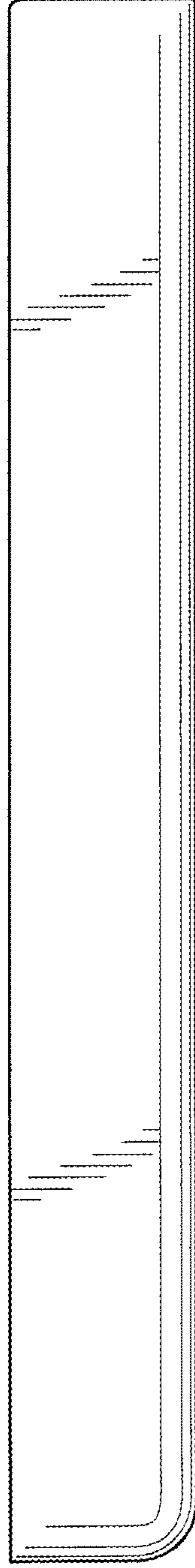


FIG. 14

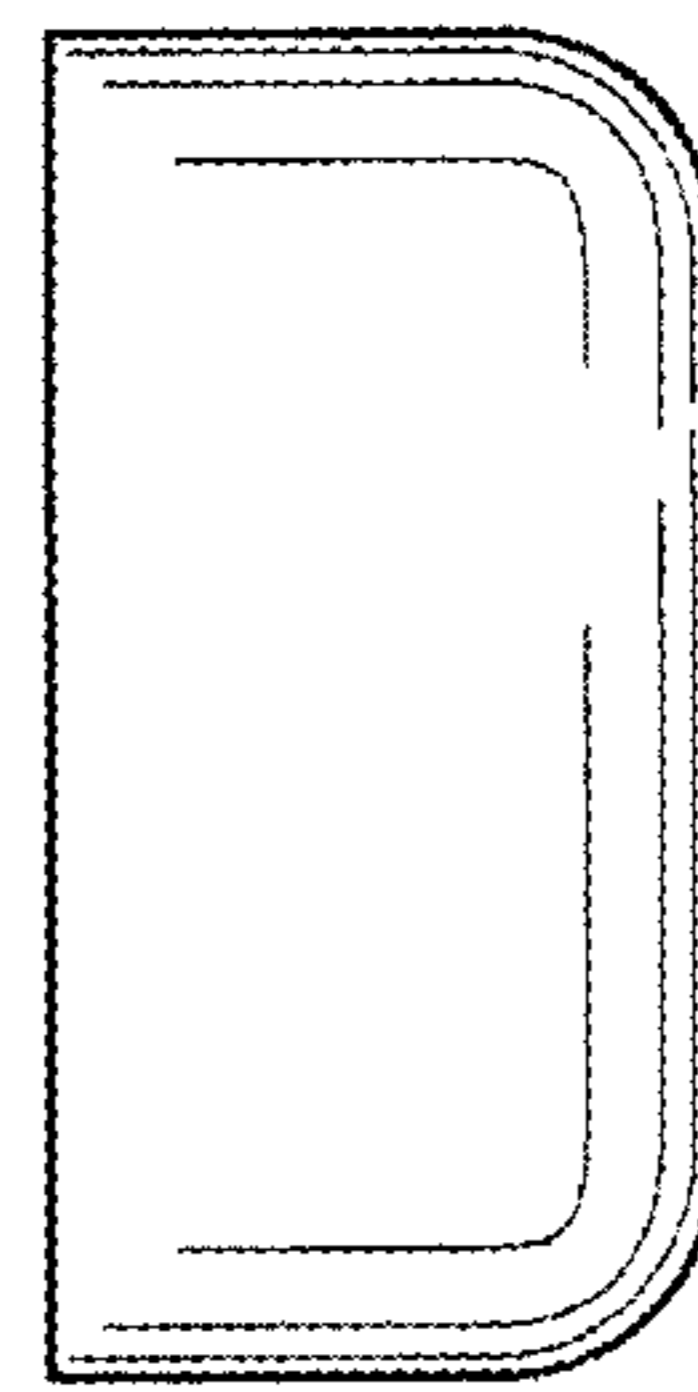


FIG. 15

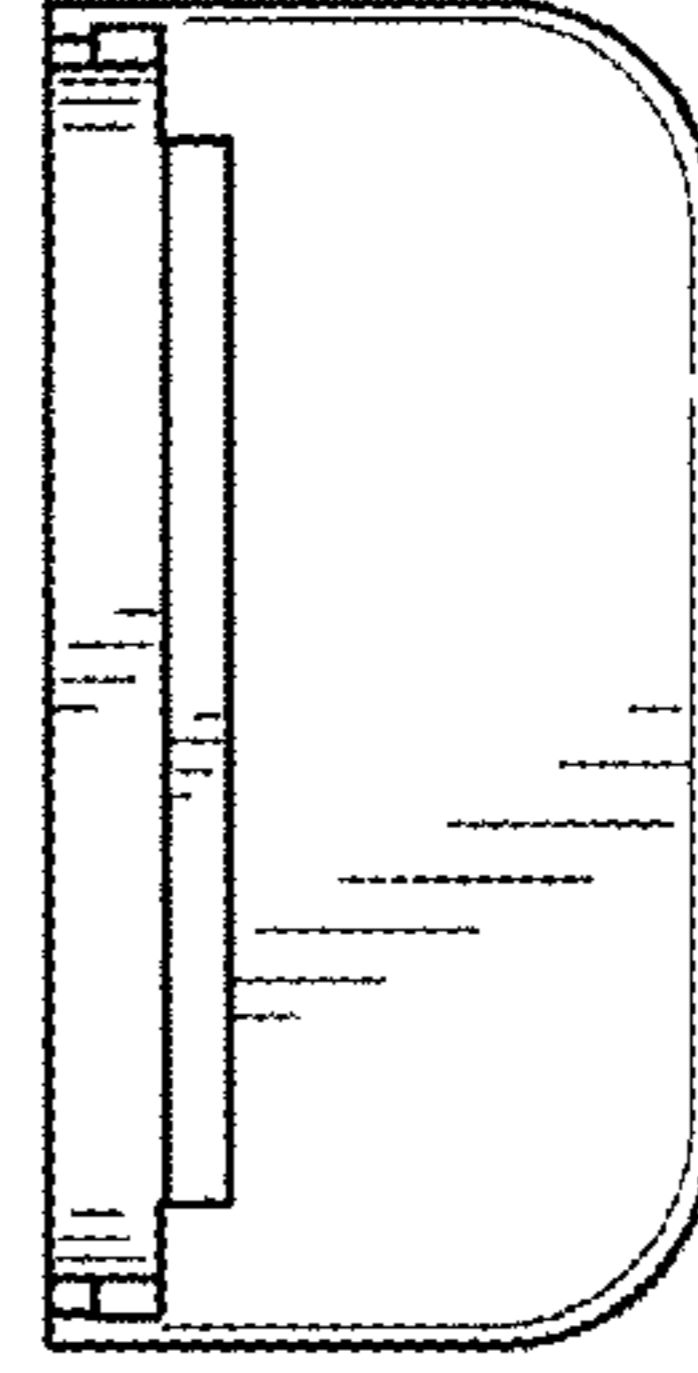


FIG. 16

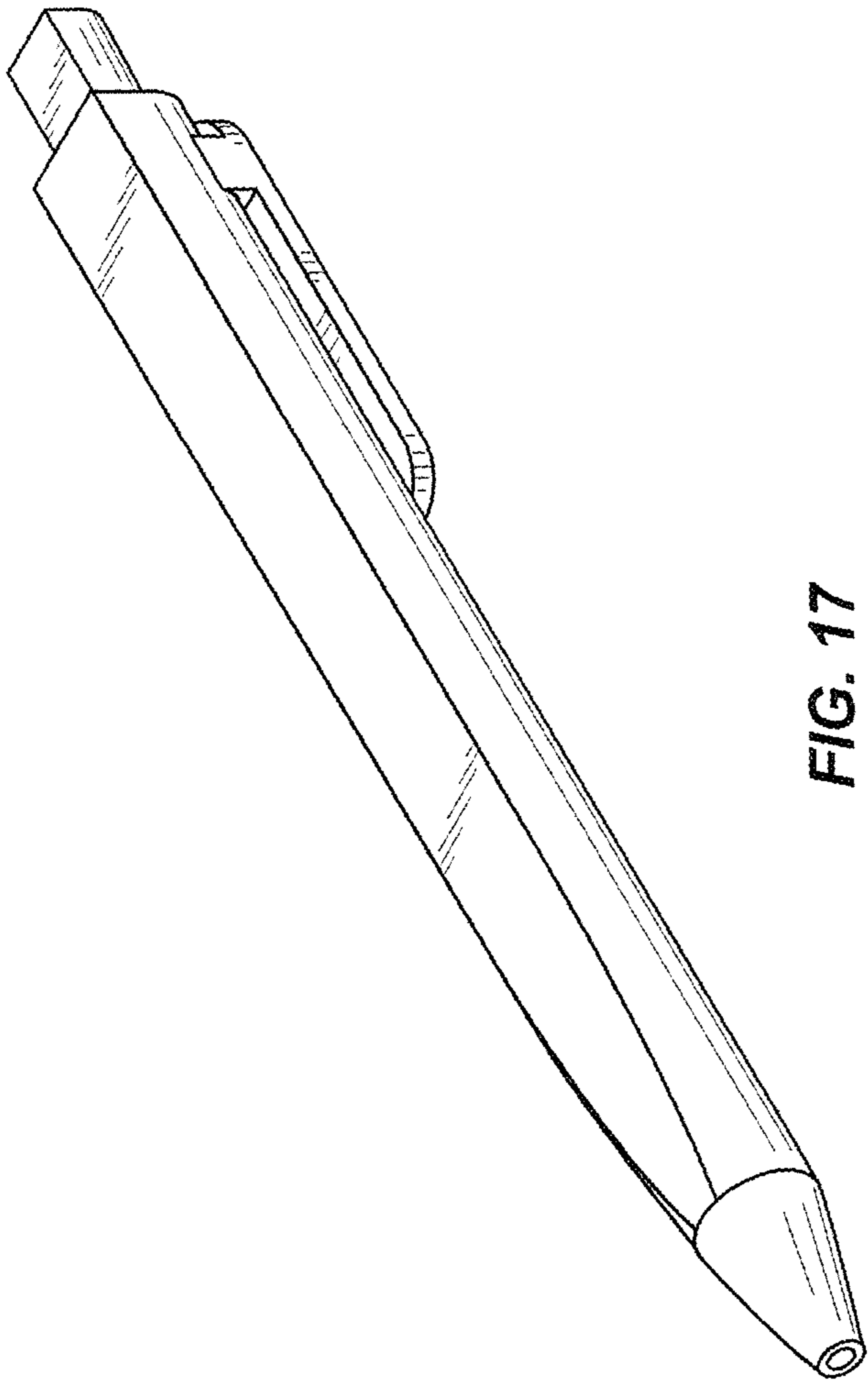


FIG. 17



FIG. 18



FIG. 19

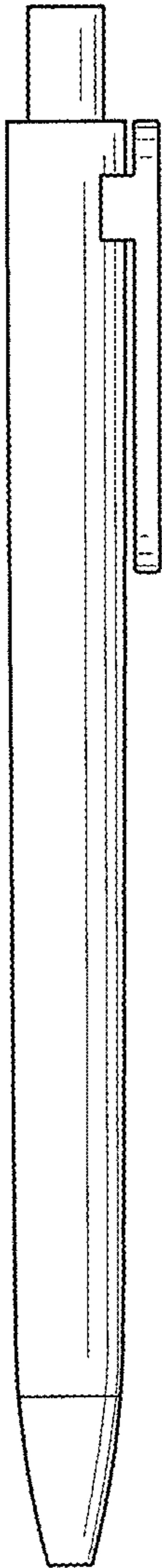


FIG. 20

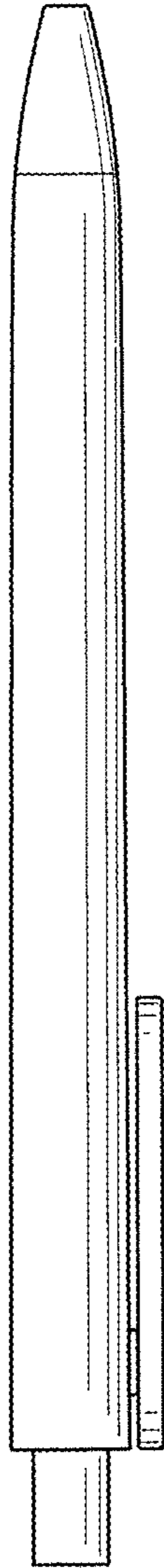


FIG. 21



FIG. 22

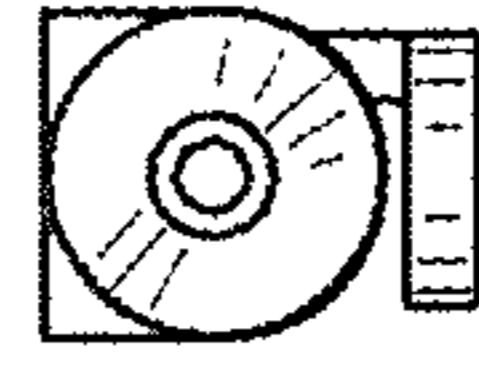


FIG. 23