



US00D937931S

(12) **United States Design Patent**
Huang

(10) **Patent No.:** **US D937,931 S**

(45) **Date of Patent:** **** Dec. 7, 2021**

(54) **TAPE DISPENSER**

(71) Applicant: **Yu-Chun Huang**, Taichung (TW)

(72) Inventor: **Yu-Chun Huang**, Taichung (TW)

(**) Term: **15 Years**

(21) Appl. No.: **29/727,197**

(22) Filed: **Mar. 9, 2020**

(30) **Foreign Application Priority Data**

Feb. 11, 2020 (TW) 109300601

(51) **LOC (13) Cl.** **19-02**

(52) **U.S. Cl.**
USPC **D19/69**

(58) **Field of Classification Search**
USPC D19/65, 66, 67, 68, 69
CPC B65H 35/002; B65H 35/0026; B65H
35/0033; B65H 35/004; B65H 35/0073;
Y10T 225/232; Y10T 225/238; Y10T
225/257

See application file for complete search history.

(56) **References Cited**

U.S. PATENT DOCUMENTS

D179,091 S *	10/1956	Pangburn	D19/69
D197,157 S *	12/1963	Casey	D19/69
3,149,764 A *	9/1964	Waltz	B65H 35/0026 225/57
D239,620 S *	4/1976	Fritzinger	D19/69
D245,914 S *	9/1977	Fritzinger	D19/69
D259,643 S *	6/1981	Pearson	D19/69
D329,463 S *	9/1992	Halm	D19/67
5,288,362 A *	2/1994	Shuh-Chin	B65H 35/0033 156/523
D350,269 S *	9/1994	Majors	D8/77
D356,481 S *	3/1995	Majors	D8/80

5,759,342 A *	6/1998	Luhman	B65H 35/0026 156/577
D427,044 S *	6/2000	White	D7/393
D448,414 S *	9/2001	Carlson	D19/67
D500,086 S *	12/2004	Van Tyle	D19/67
D507,020 S *	7/2005	Mueller	D19/67
7,191,815 B2 *	3/2007	Van Tyle	B65H 35/0033 156/527
7,540,844 B2 *	6/2009	Muser	B01L 3/18 600/570
D613,005 S *	3/2010	Lin	D30/159
D687,102 S *	7/2013	Chandaria	D19/69
D860,312 S *	9/2019	Oh	D19/69
D873,914 S *	1/2020	Lusson	D19/69
D919,003 S *	5/2021	Lee	D19/69

FOREIGN PATENT DOCUMENTS

JP D1671332 * 11/2020

* cited by examiner

Primary Examiner — Elizabeth A. Albert

(74) *Attorney, Agent, or Firm* — Muncy, Geissler, Olds & Lowe, P.C.

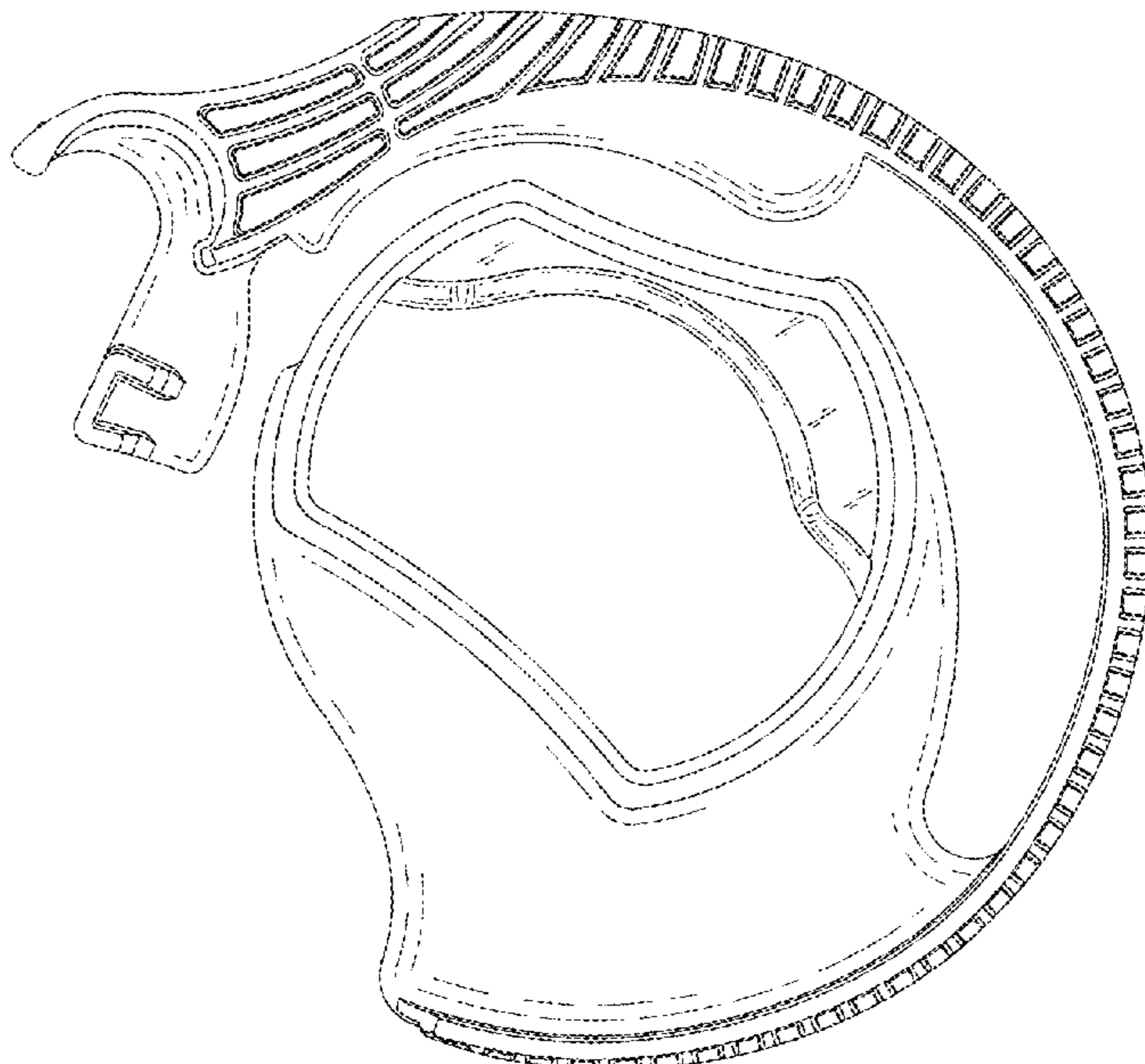
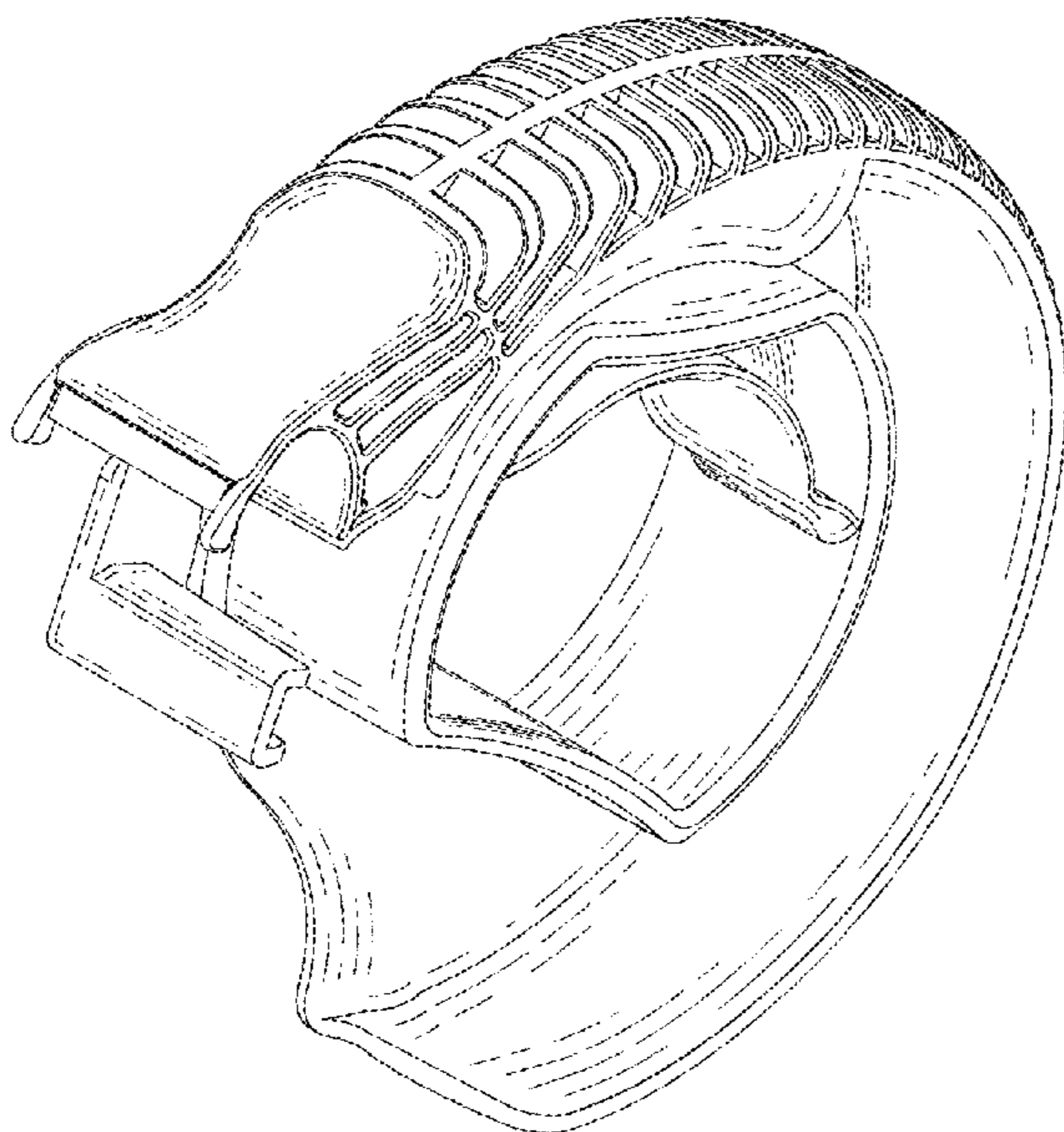
(57) **CLAIM**

The ornamental design for a tape dispenser, as shown.

DESCRIPTION

FIG. 1 is a perspective view of a tape dispenser showing the new design;
FIG. 2 is a front elevational view thereof;
FIG. 3 is a rear elevational view thereof;
FIG. 4 is a left side elevational view thereof;
FIG. 5 is a right side elevational view thereof;
FIG. 6 is a top plan view thereof;
FIG. 7 is a bottom plan view thereof; and,
FIG. 8 is another perspective thereof.

1 Claim, 7 Drawing Sheets



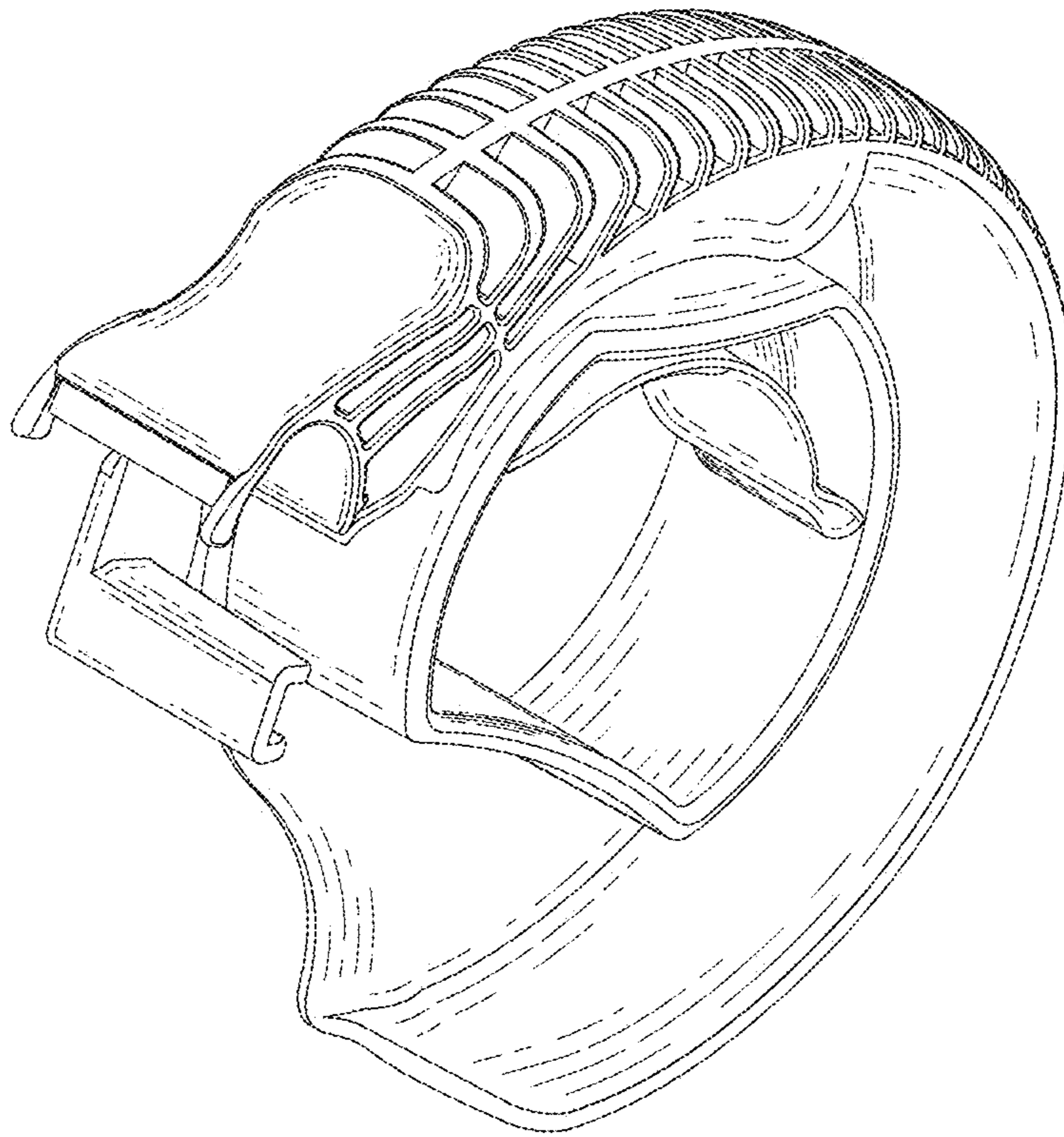


FIG.1

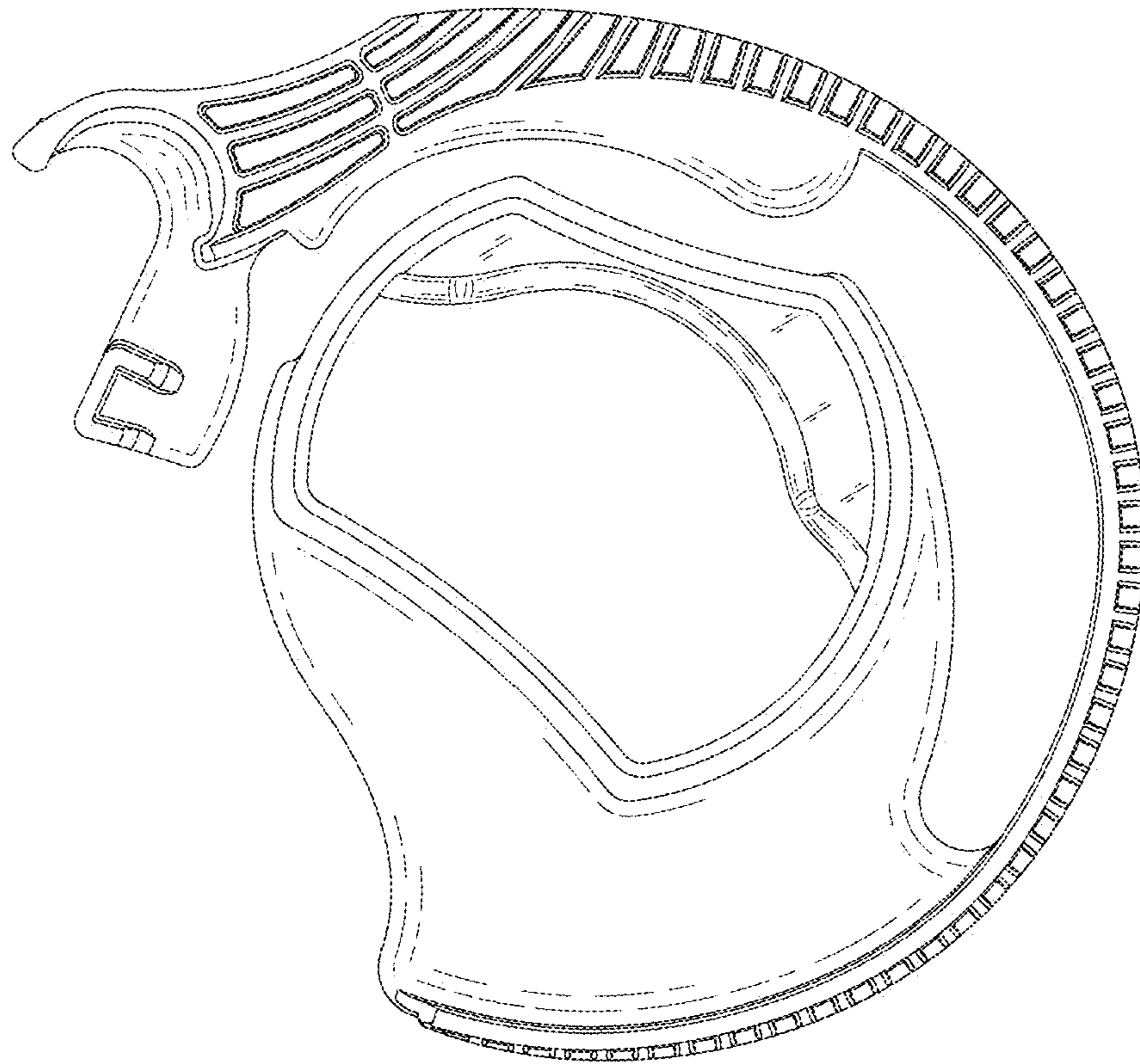


FIG.2

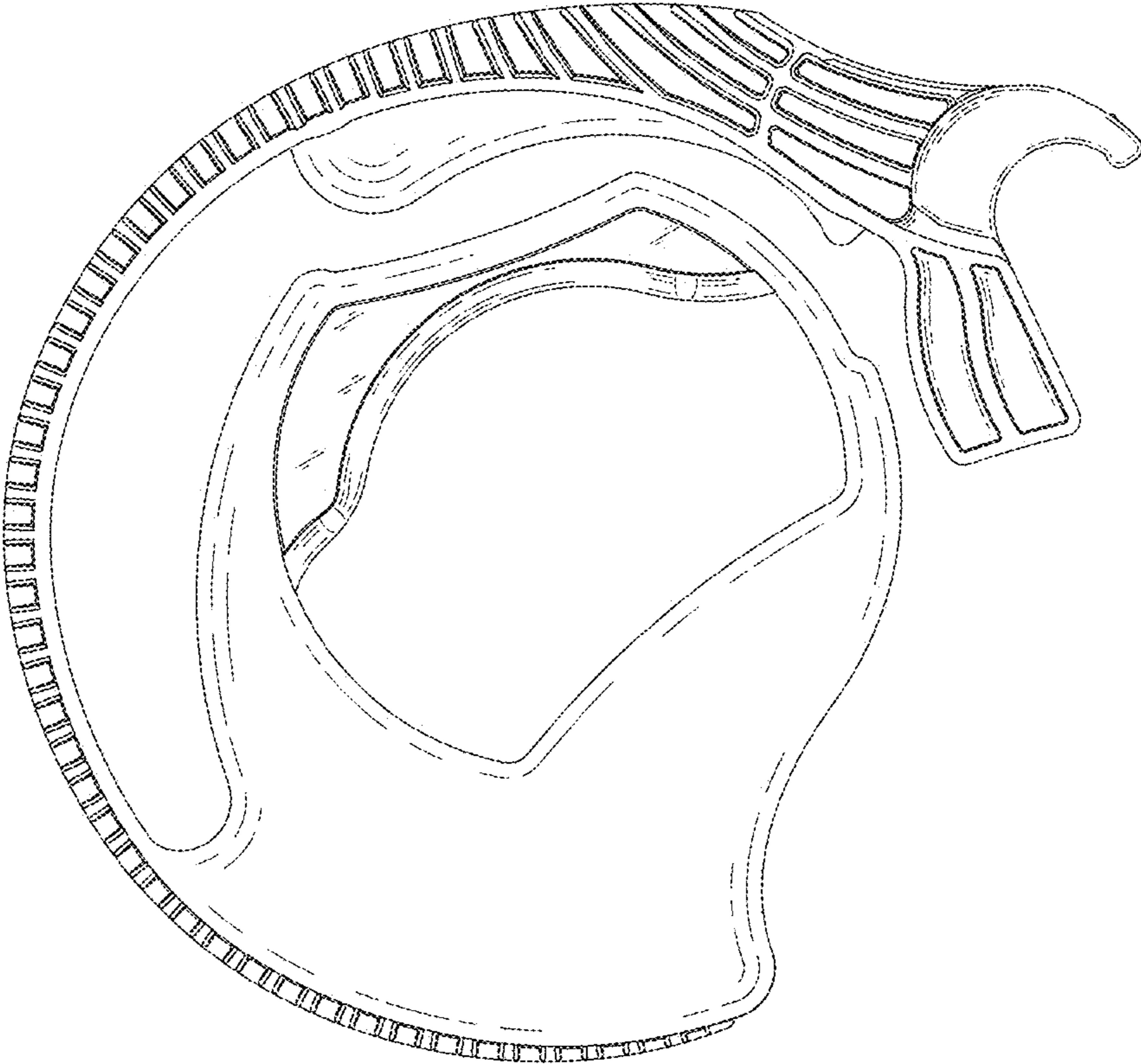


FIG.3

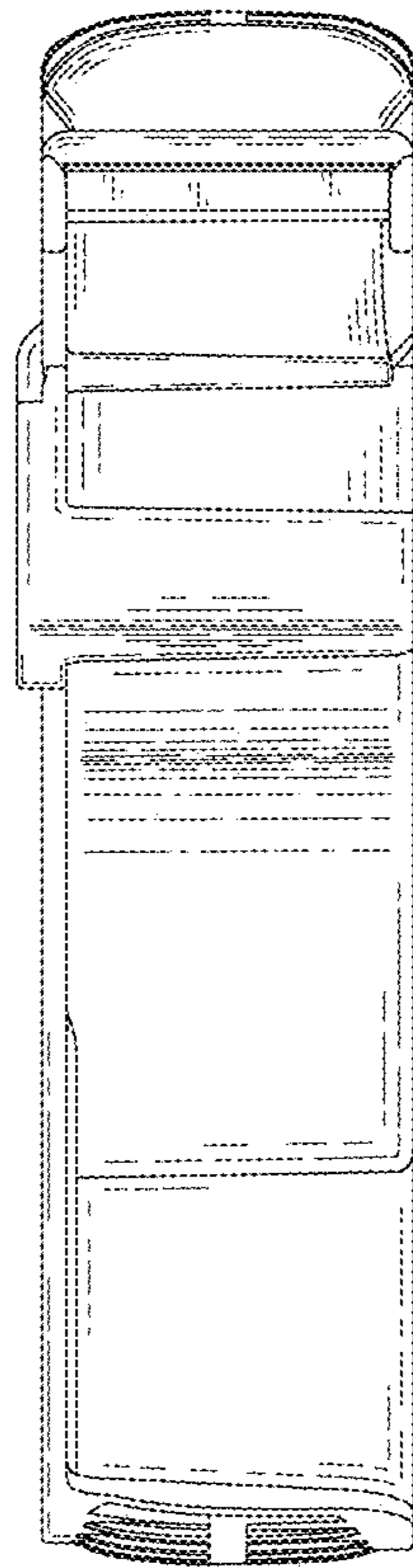


FIG.4

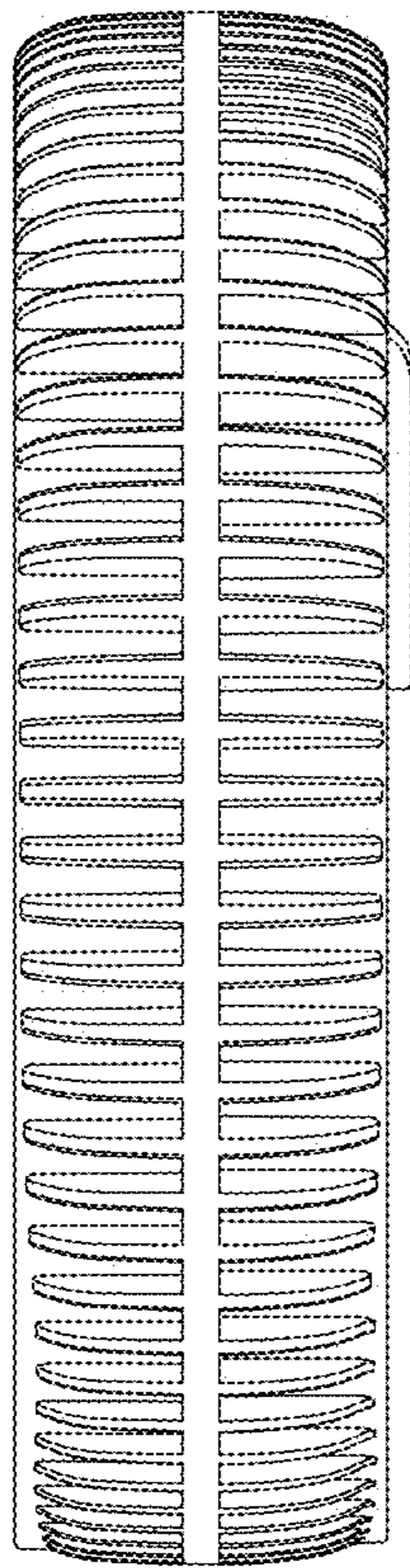


FIG.5

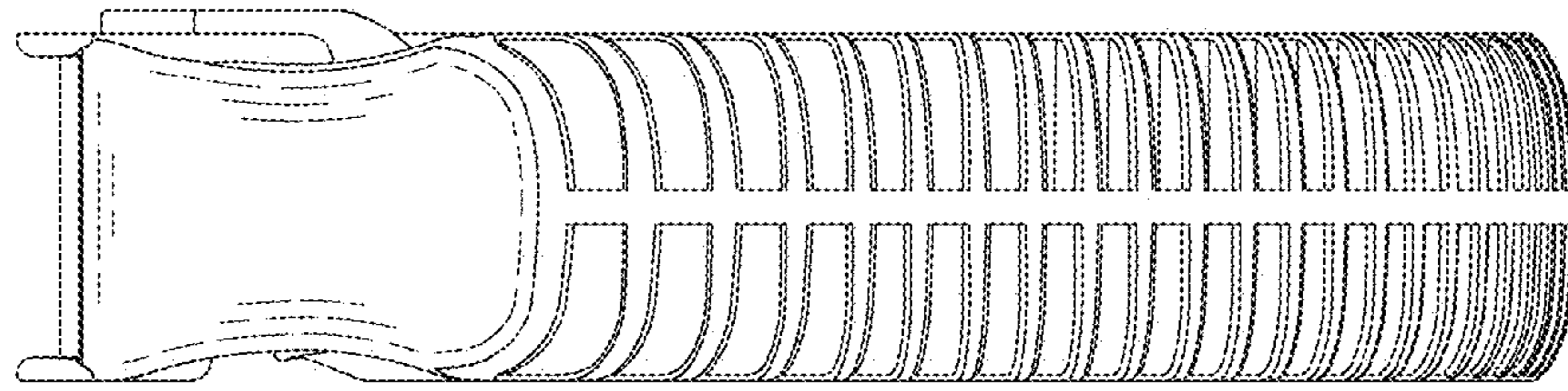


FIG. 6

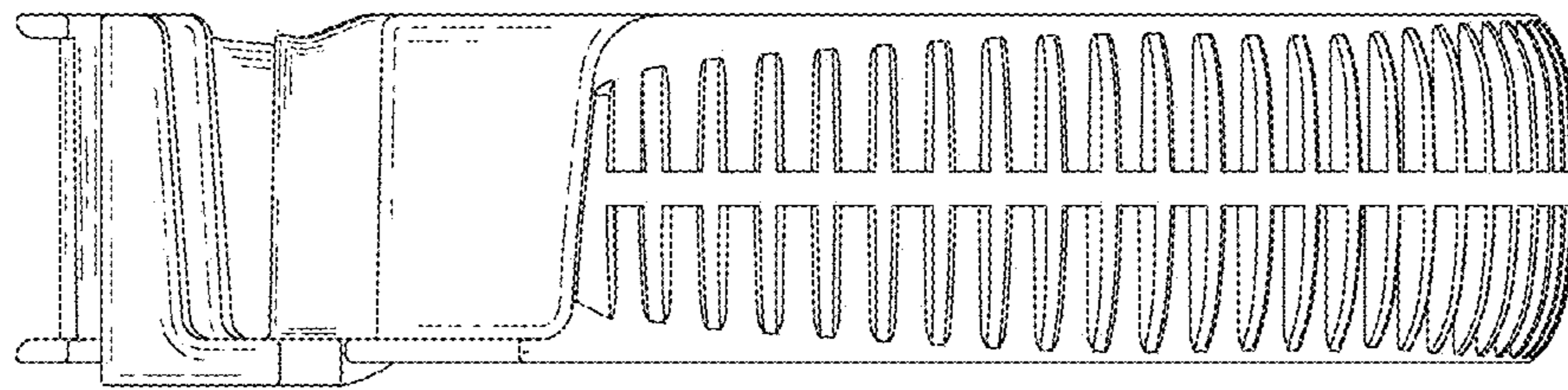


FIG. 7

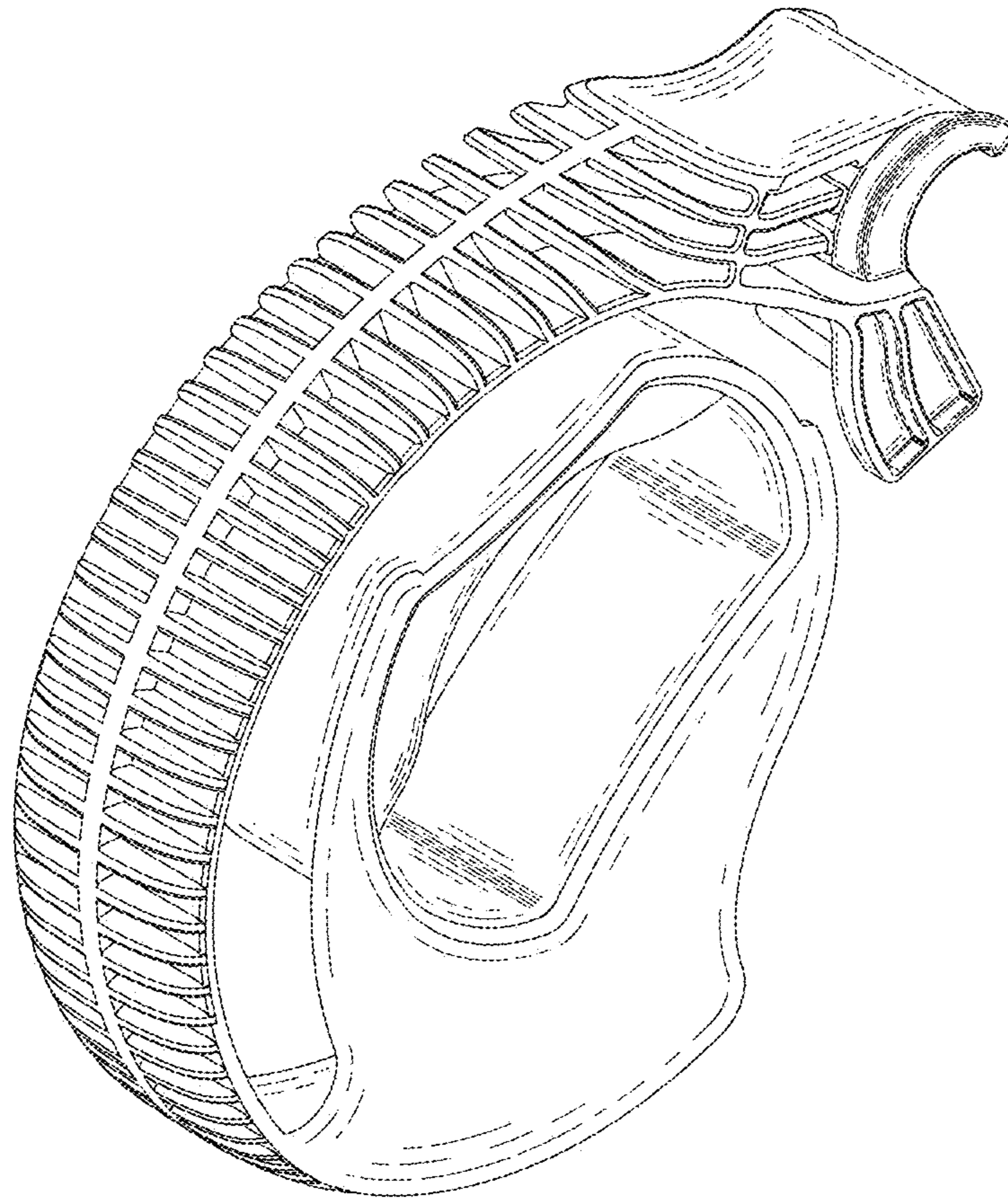


FIG.8